



US00D671814S

(12) **United States Design Patent**  
**Liang**

(10) **Patent No.:** **US D671,814 S**

(45) **Date of Patent:** **\*\* Dec. 4, 2012**

(54) **MINI TOOLKIT WITH SCREWDRIVERS AND FLASHLIGHT**

(75) Inventor: **Hong Liang**, Zhejiang (CN)

(73) Assignee: **Ningbo Power Stationery & Promotion Industry Co., Ltd (CN)**

(\*\*) Term: **14 Years**

(21) Appl. No.: **29/367,305**

(22) Filed: **Aug. 5, 2010**

(51) **LOC (9) Cl.** ..... **08-05**

(52) **U.S. Cl.** ..... **D8/105; D26/38**

(58) **Field of Classification Search** ..... D8/99,  
D8/58, 55, 52, 356, 107, 105, 21, 71, 14,  
D8/29; D19/65; 81/440, 427.5, 177.4, 490;  
7/160, 138, 128, 118; 30/298.4, 162, 161,  
30/155; 206/377, 375, 374

See application file for complete search history.

(56) **References Cited**

**U.S. PATENT DOCUMENTS**

D172,723	S	*	7/1954	Polk	.....	D16/135
D196,934	S	*	11/1963	Grushon	.....	D27/142
D374,388	S	*	10/1996	Padden	.....	D8/105
D416,581	S	*	11/1999	Cheng	.....	D19/65
D434,624	S	*	12/2000	Padden	.....	D8/42
D449,211	S	*	10/2001	Jean et al.	.....	D8/105
6,347,875	B1	*	2/2002	Painsith	.....	362/119
6,460,698	B1	*	10/2002	Wang	.....	206/234
D472,167	S	*	3/2003	Cheng et al.	.....	D10/62
D517,390	S	*	3/2006	Cheng et al.	.....	D8/105
D657,650	S	*	4/2012	Rubin et al.	.....	D8/105
2002/0179463	A1	*	12/2002	Newman	.....	206/234
2003/0038043	A1	*	2/2003	Painsith	.....	206/234

\* cited by examiner

*Primary Examiner* — Austin Murphy

(74) *Attorney, Agent, or Firm* — St. Onge Steward Johnston & Reens LLC

(57) **CLAIM**

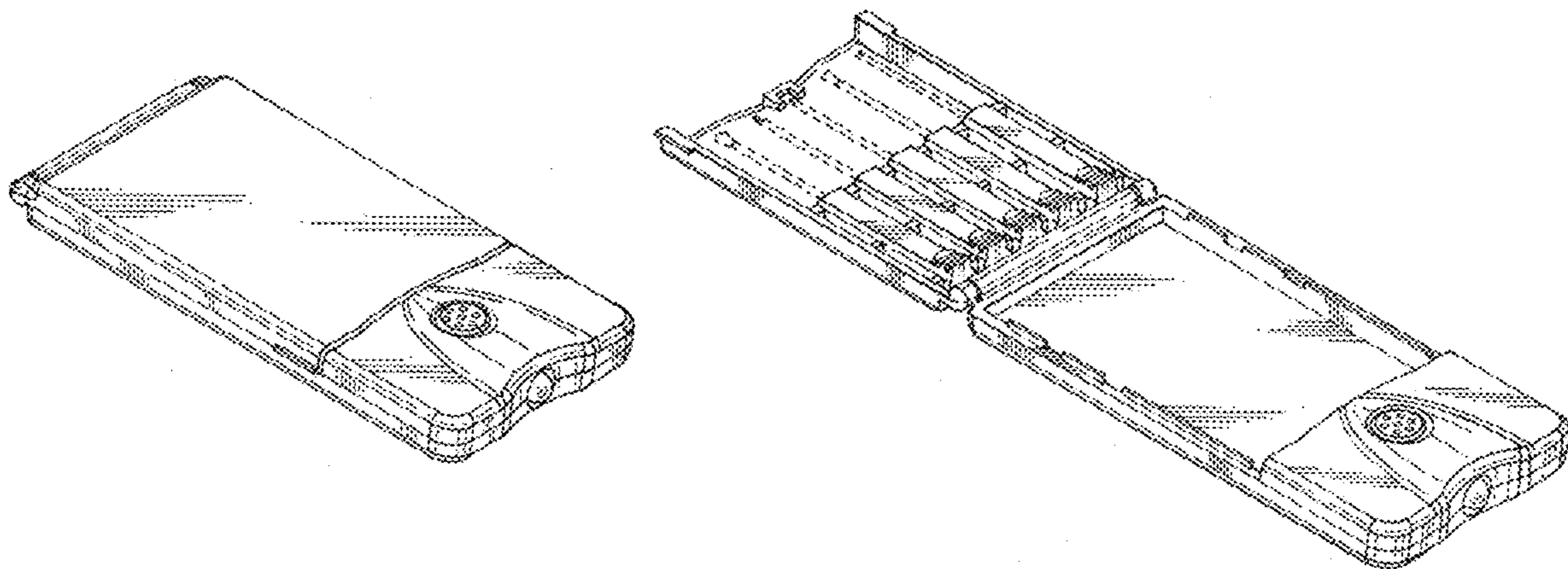
The ornamental design for a mini toolkit with screwdrivers and flashlight, as shown and described.

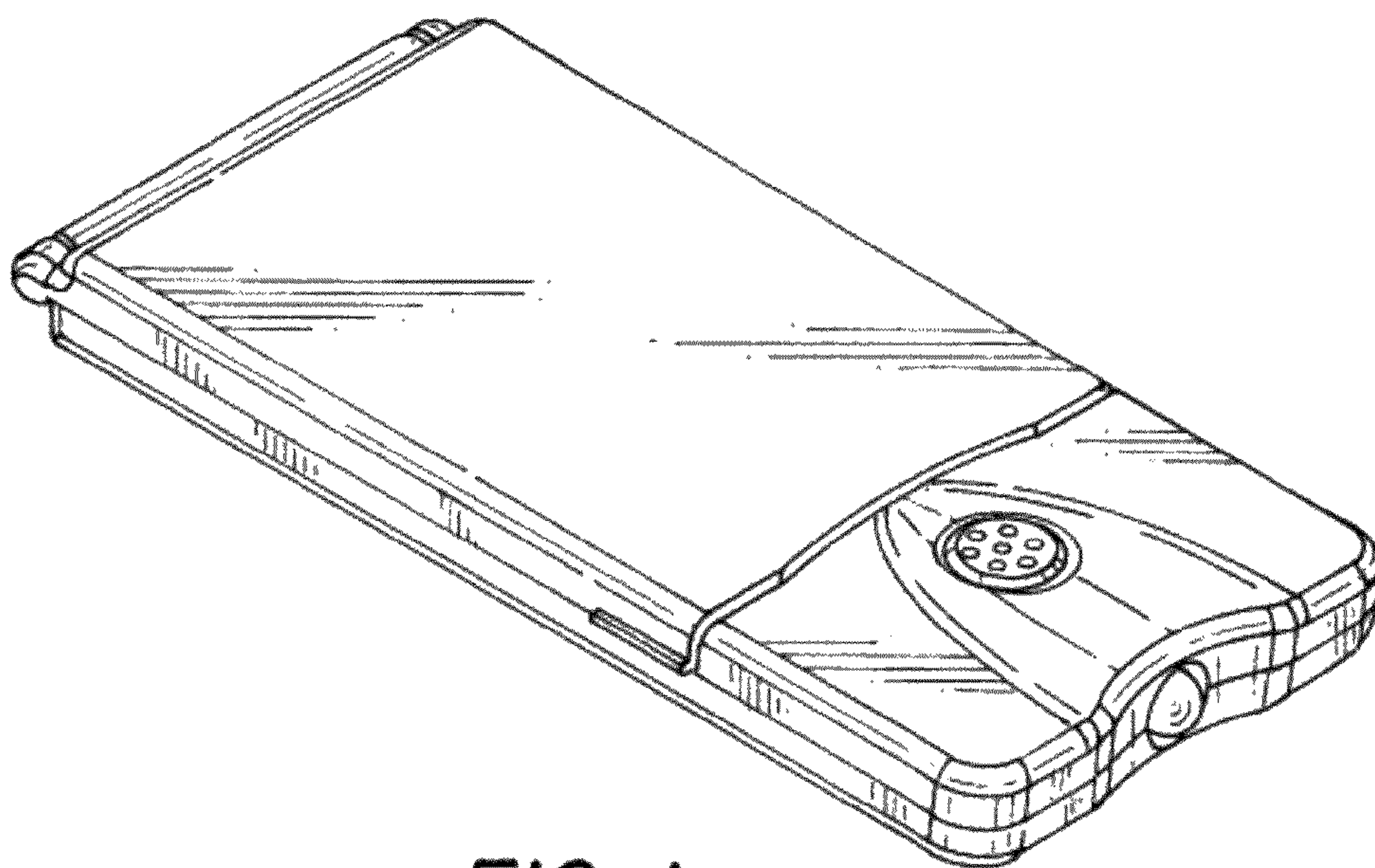
**DESCRIPTION**

FIG. 1 is a top perspective view of a mini toolkit with screwdrivers and flashlight in accordance with the new design; FIG. 2 is a top view thereof; FIG. 3 is a bottom view thereof; FIG. 4 is a right side elevation view thereof, the left side elevation view being a mirror image thereof; FIG. 5 is a front view thereof; FIG. 6 is a rear view thereof; FIG. 7 is a top perspective view of the mini toolkit with screwdrivers and flashlight of FIG. 1, shown in open position. FIG. 8 is a top perspective view of a screwdriver of the mini toolkit with screwdrivers and flashlight of FIG. 1; FIG. 9 is a top view thereof; FIG. 10 is a bottom view thereof; FIG. 11 is a left side elevation thereof, the right side elevation view being a mirror image thereof; and, FIG. 12 is a rear view thereof.

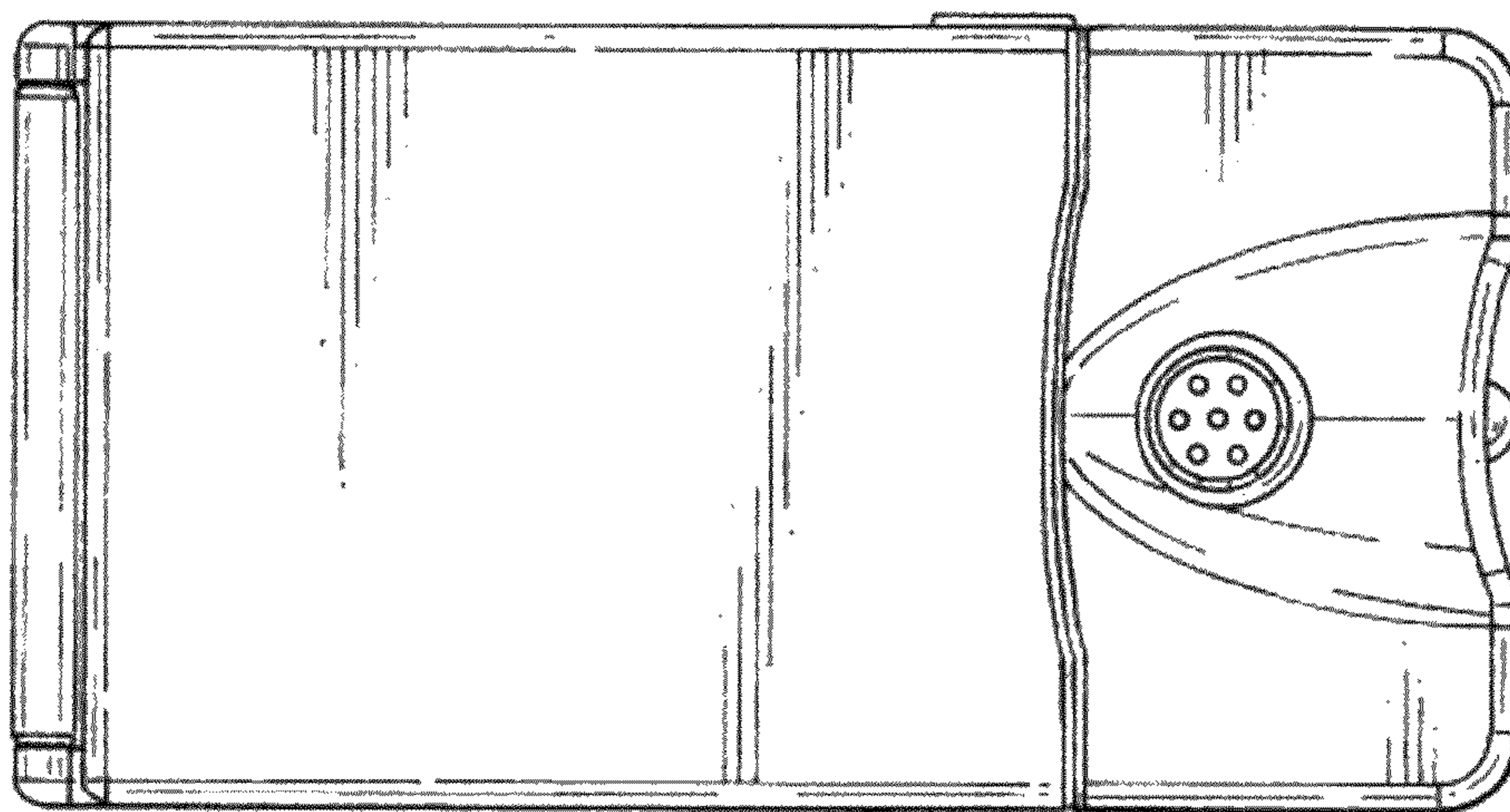
The broken lines shown in FIGS. 3 and 7-12 are for the purpose of illustrating portions of the mini toolkit with screwdrivers and flashlight that form no part of the claimed design.

**1 Claim, 4 Drawing Sheets**

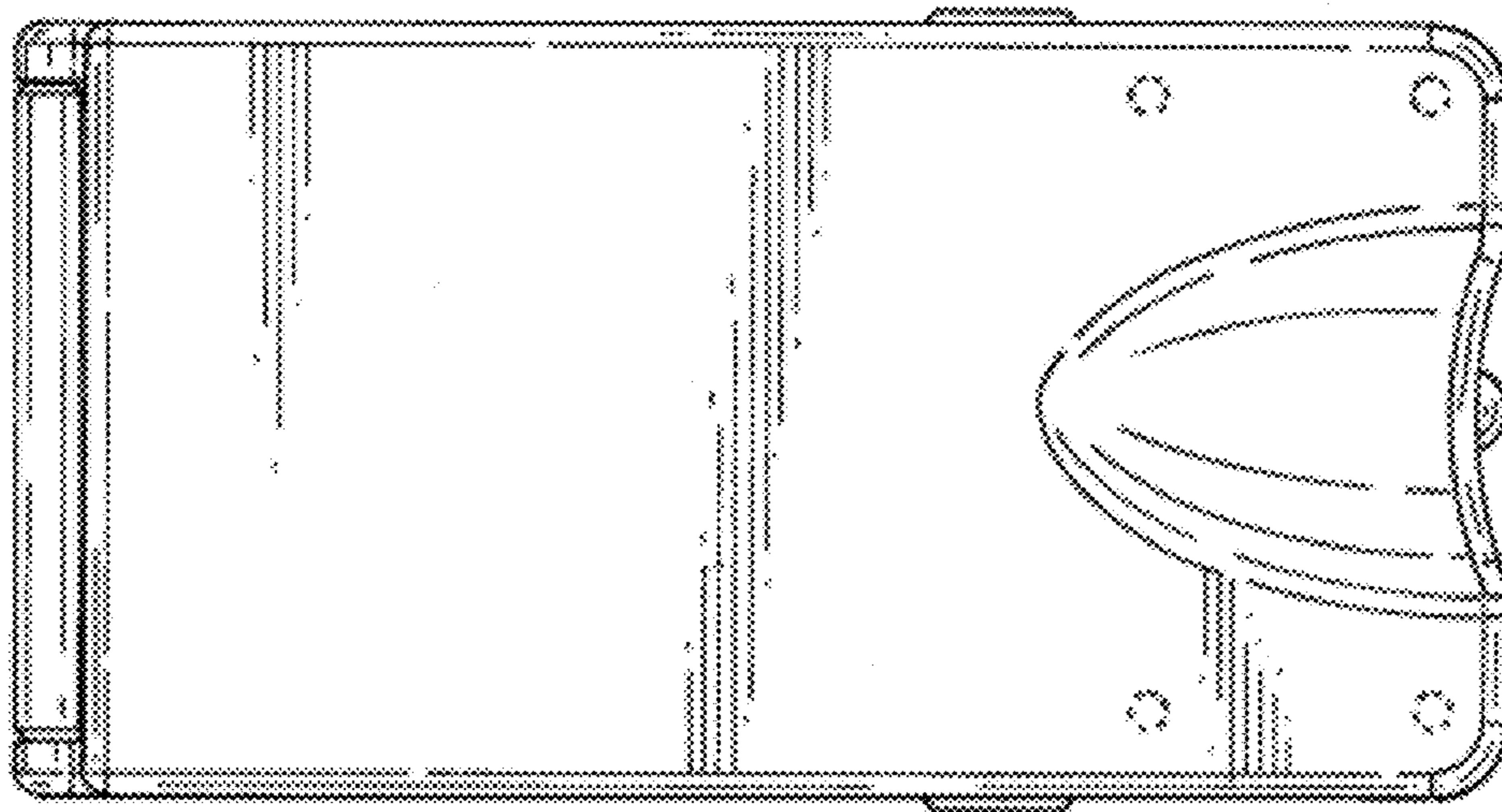




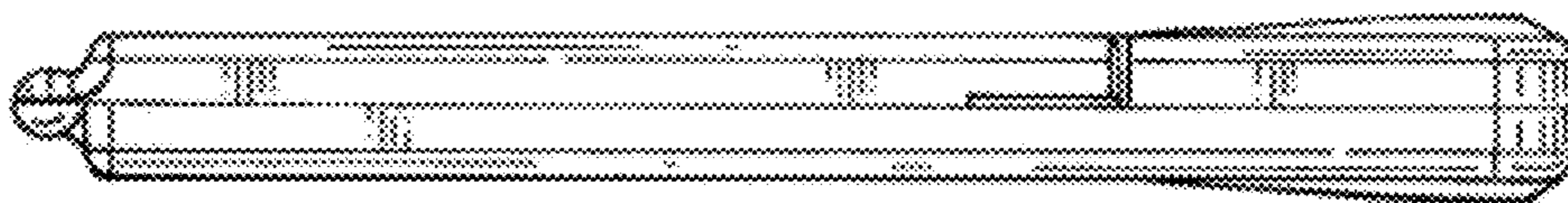
*FIG. 1*



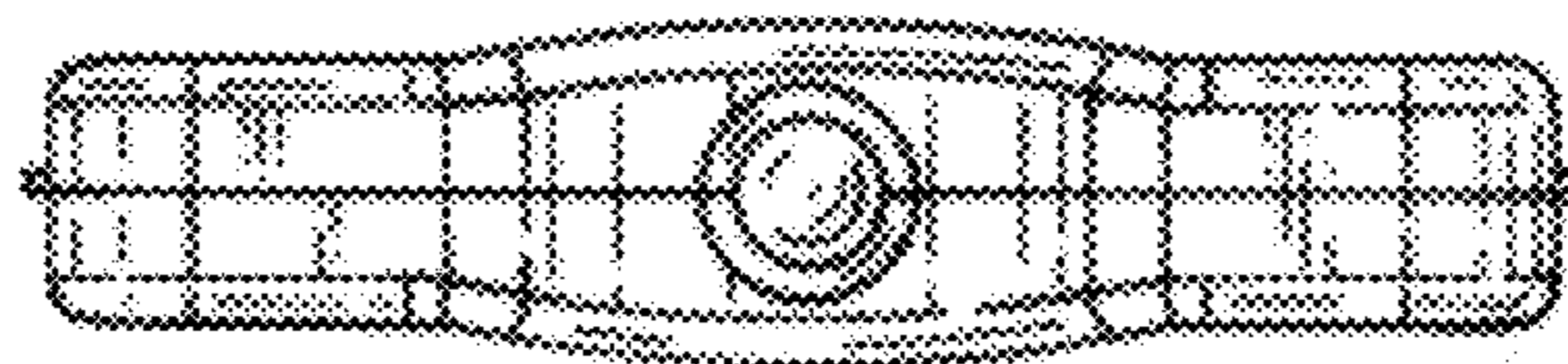
*FIG. 2*



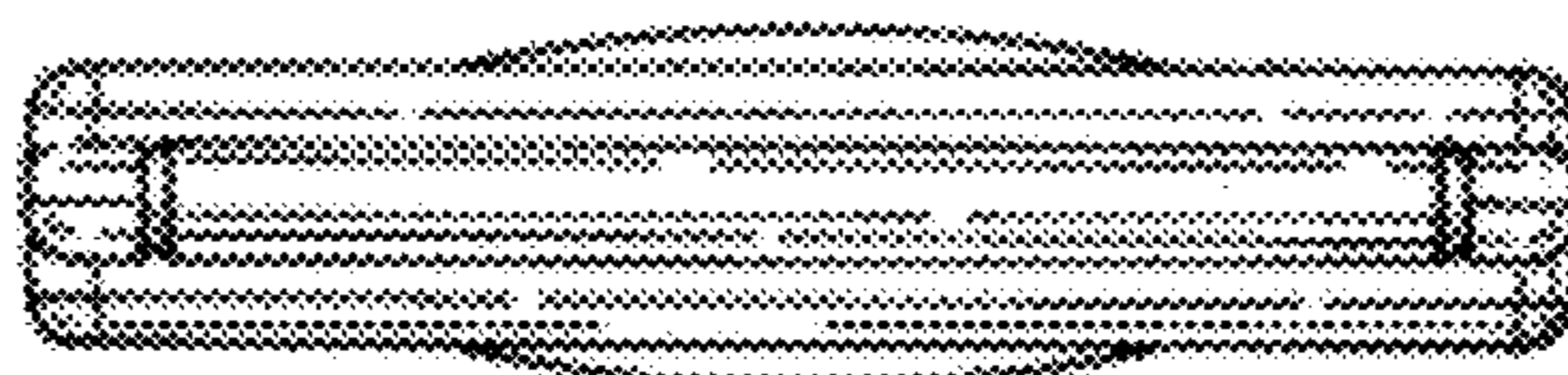
*FIG. 3*



*FIG. 4*



*FIG. 5*



*FIG. 6*

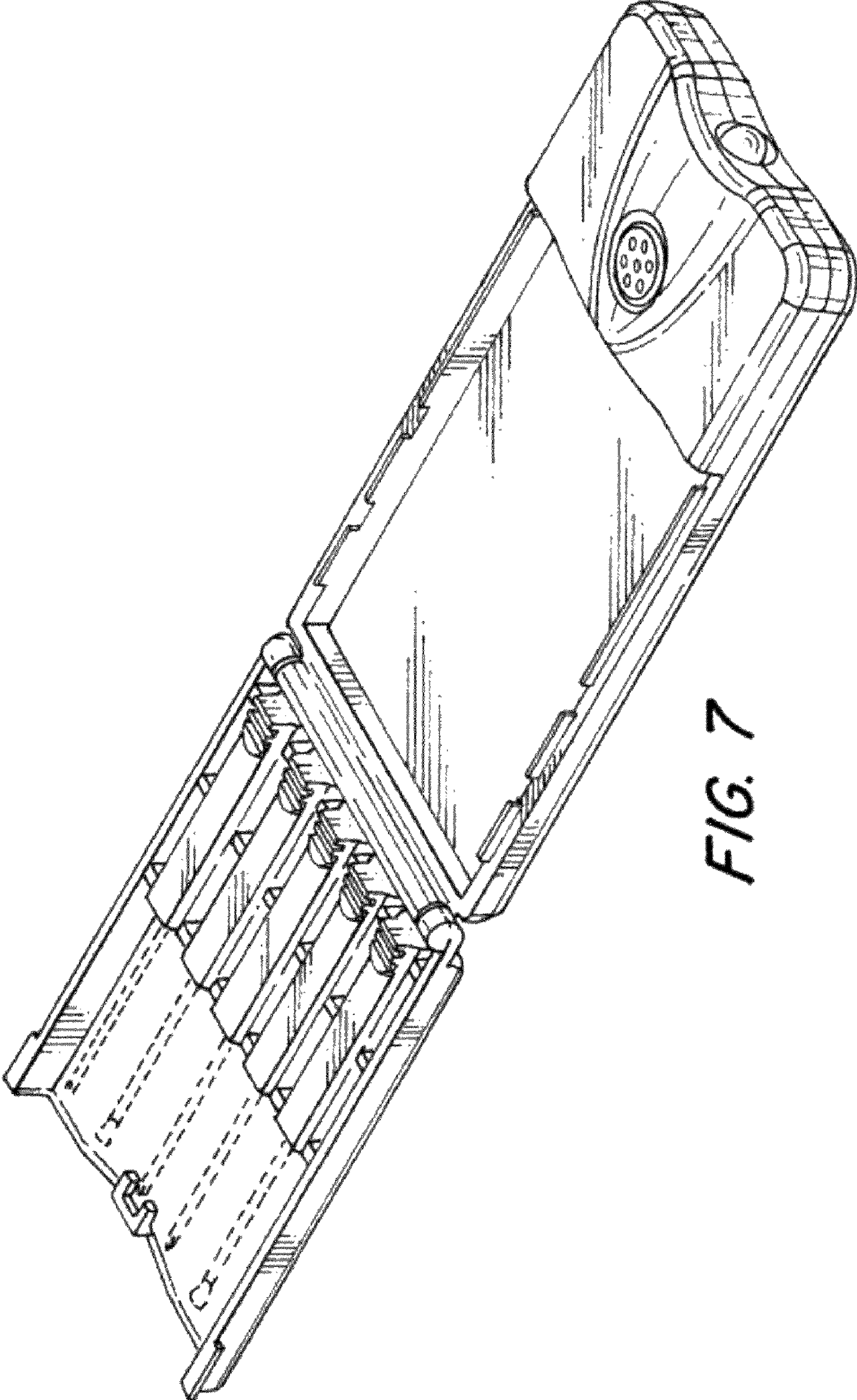
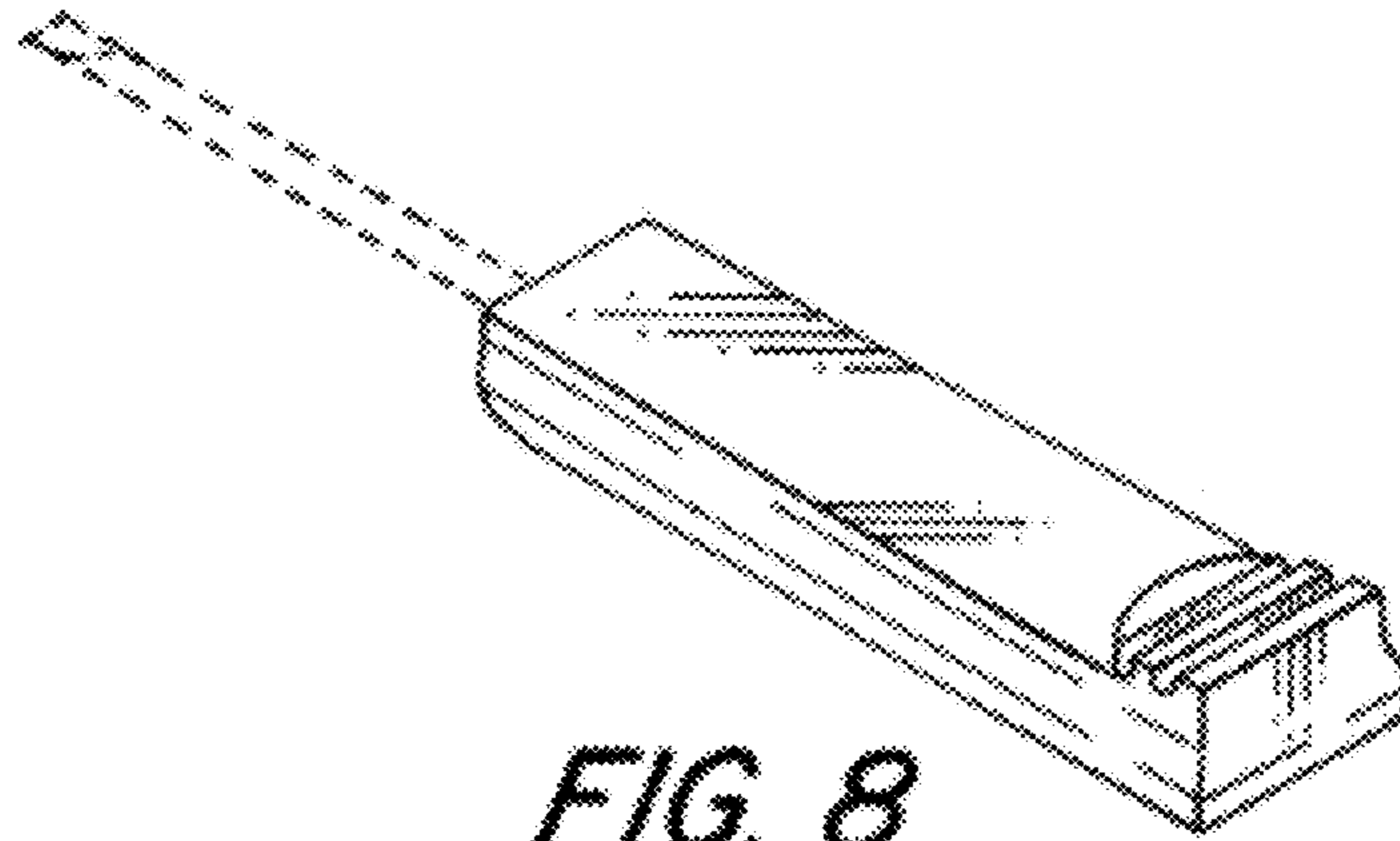
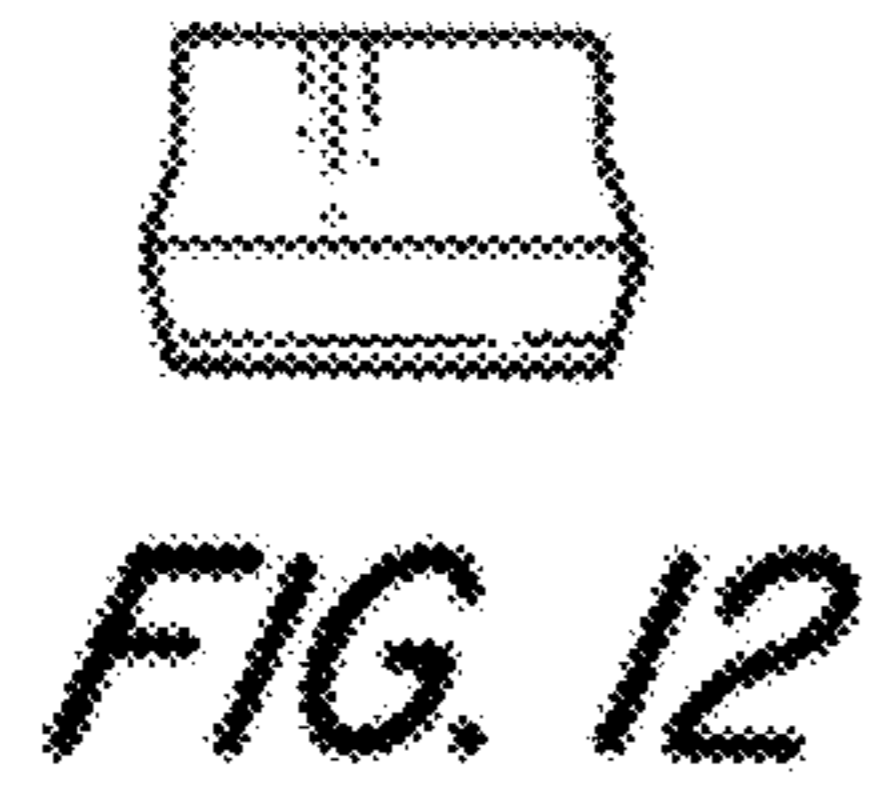


FIG. 7



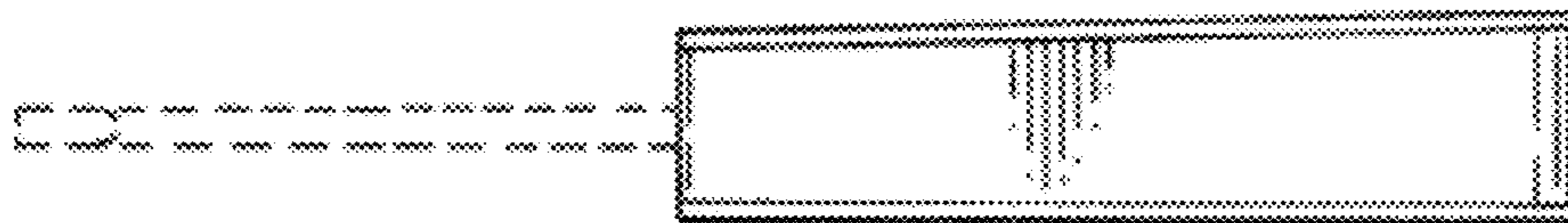
*FIG. 8*



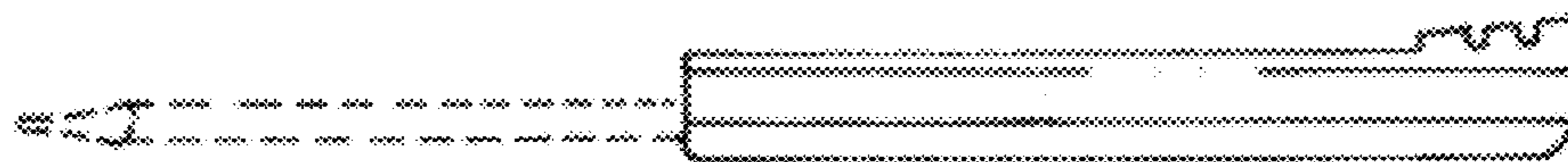
*FIG. 12*



*FIG. 9*



*FIG. 10*



*FIG. 11*