



US00D671812S

(12) **United States Design Patent**
Jones et al.

(10) **Patent No.:** **US D671,812 S**

(45) **Date of Patent:** **** Dec. 4, 2012**

(54) **WOODWORKING VISE**

(75) Inventors: **Steven K. Jones**, Ottawa (CA); **Brent K. Hyde**, Ottawa (CA); **Brian Ebbinghaus**, Kanata (CA); **Terry R. Saunders**, North Gower (CA)

(73) Assignee: **Lee Valley Tools, Ltd.**, Ottawa, Ontario (CA)

(**) Term: **14 Years**

(21) Appl. No.: **29/376,082**

(22) Filed: **Oct. 1, 2010**

(51) **LOC (9) Cl.** **08-05**

(52) **U.S. Cl.** **D8/74**

(58) **Field of Classification Search** D8/71-74;
74/89.33, 424.78; 269/181-182, 244-245
See application file for complete search history.

(56) **References Cited**

U.S. PATENT DOCUMENTS

595,546	A *	12/1897	O'Brien	269/181
917,243	A *	4/1909	Boyle	269/181
939,284	A *	11/1909	Mentzer	269/180
1,055,278	A *	3/1913	Hunt	269/181
1,392,434	A *	10/1921	Miller	269/101
1,777,789	A *	10/1930	Droutz	144/307
2,231,646	A *	2/1941	Wahlstrom	144/307
2,398,941	A *	4/1946	Jordan	269/181
D151,428	S *	10/1948	Clauss	D8/74
D151,429	S *	10/1948	Clauss	D8/74
D181,115	S *	10/1957	Vogl	D8/74
D282,143	S *	1/1986	Tarquinio	D8/74
D286,609	S *	11/1986	Hickman et al.	D8/74
6,135,435	A *	10/2000	Schmitz	269/164

D509,122	S *	9/2005	Radermacher et al.	D8/74
2011/0285070	A1 *	11/2011	Hovarter	269/167
2011/0316212	A1 *	12/2011	Jones et al.	269/181

* cited by examiner

Primary Examiner — Michael A Pratt

(74) *Attorney, Agent, or Firm* — Kilpatrick Townsend & Stockton LLP; John S. Pratt; Camilla C. Williams

(57) **CLAIM**

The ornamental design for woodworking vise, as shown and described.

DESCRIPTION

FIG. 1 is a perspective view of the top and handle end of the design for the woodworking vise of this invention.

FIG. 2 is a perspective view of the bottom and end remote from the handle of the design for the woodworking vise shown in FIG. 1.

FIG. 3 is a front view of the design for the woodworking vise shown in FIG. 1.

FIG. 4 is a rear view of the design for the woodworking vise shown in FIG. 1.

FIG. 5 is a view of the handle end of the design for the woodworking vise shown in FIG. 1.

FIG. 6 is a view of the end remote from the handle of the design for the woodworking vise shown in FIG. 1.

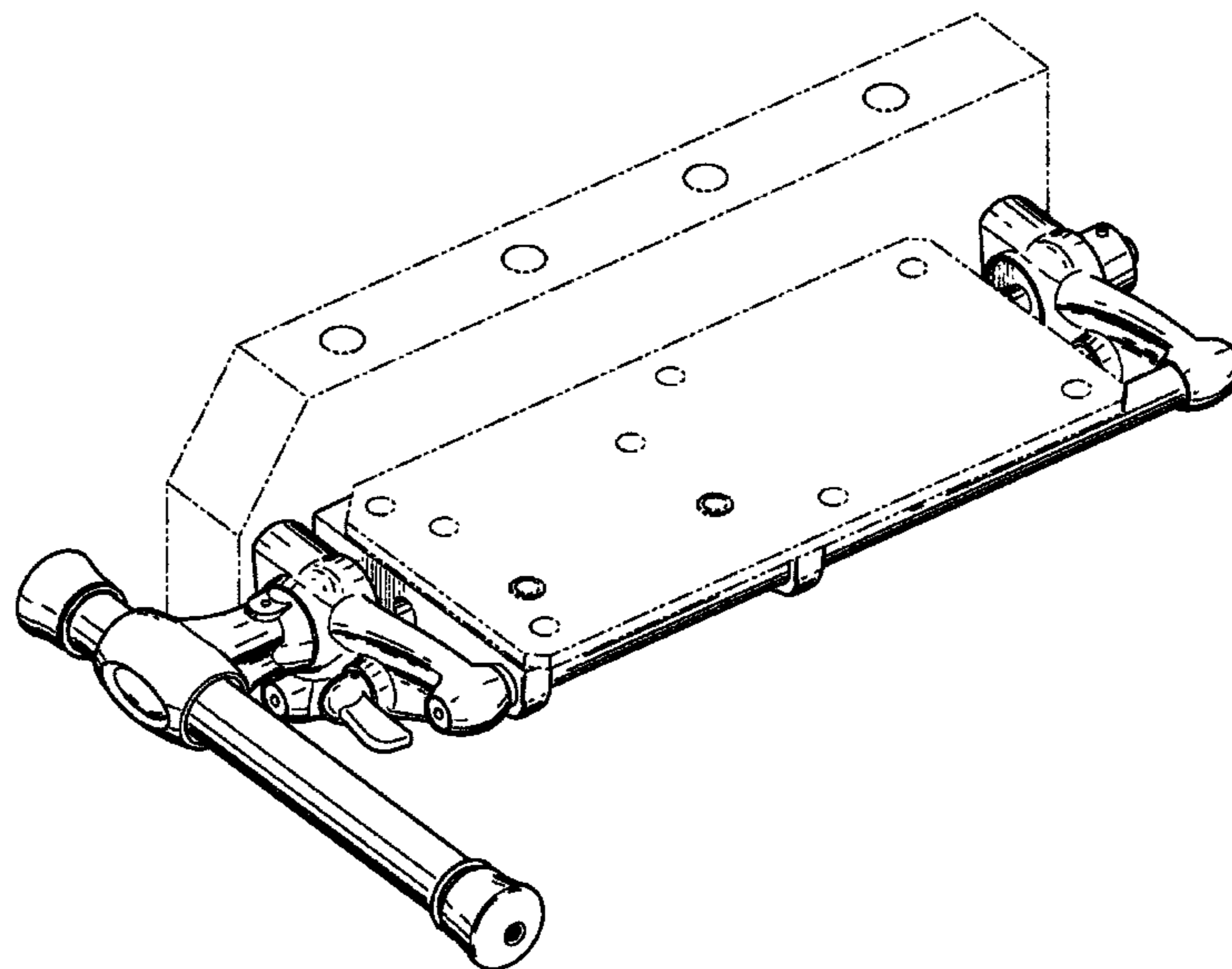
FIG. 7 is a top plan view of the design for the woodworking vise shown in FIG. 1 with an optional mounting plate shown in broken lines.

FIG. 8 is a bottom plan view of the design for the woodworking vise shown in FIG. 1; and,

FIG. 9 is a perspective view of the front and handle end of the design for the woodworking vise shown in FIG. 1 shown installed on a woodworking bench.

The broken lines are included for the purpose of illustrating environment and form no part of the claimed design.

1 Claim, 7 Drawing Sheets



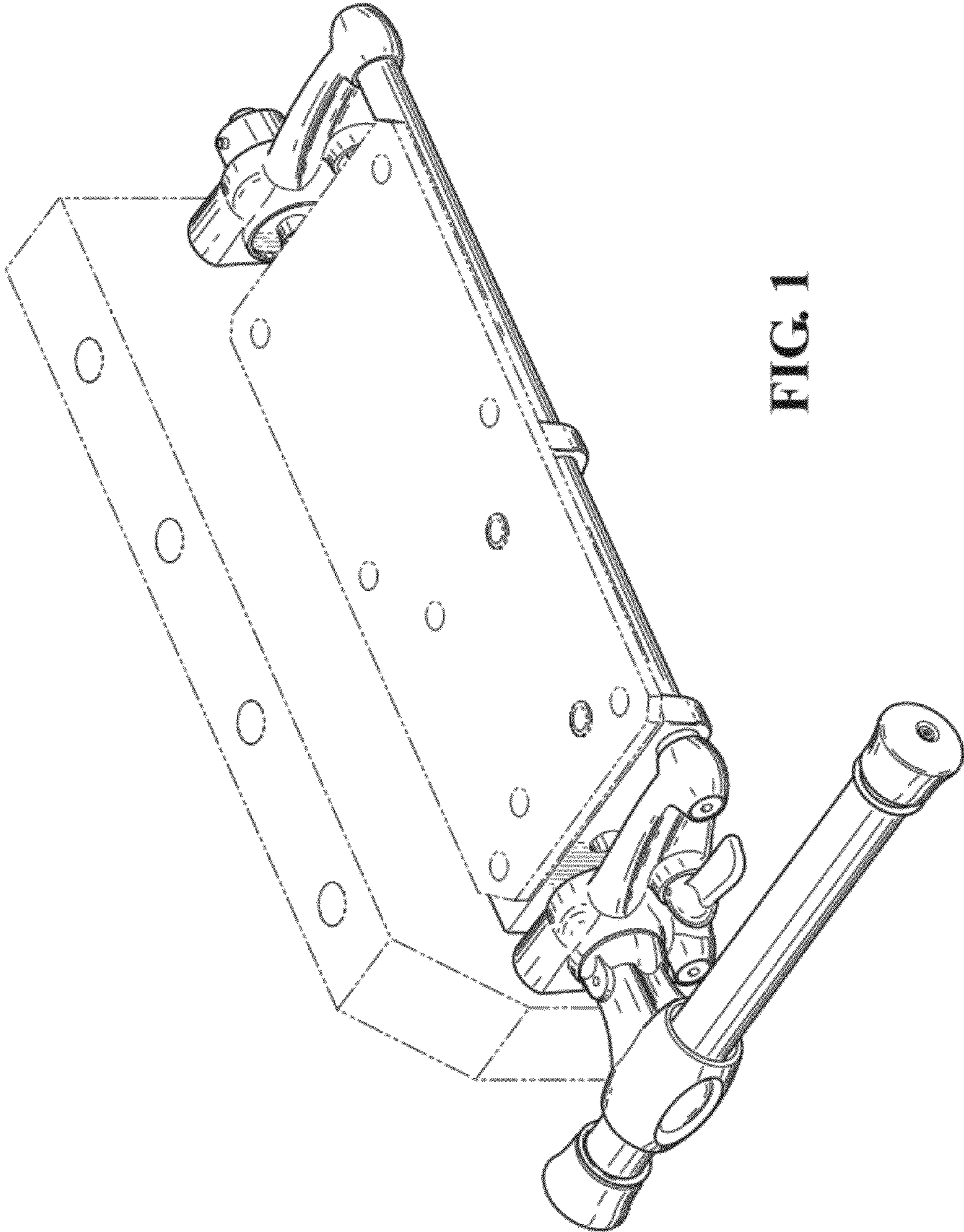


FIG. 1

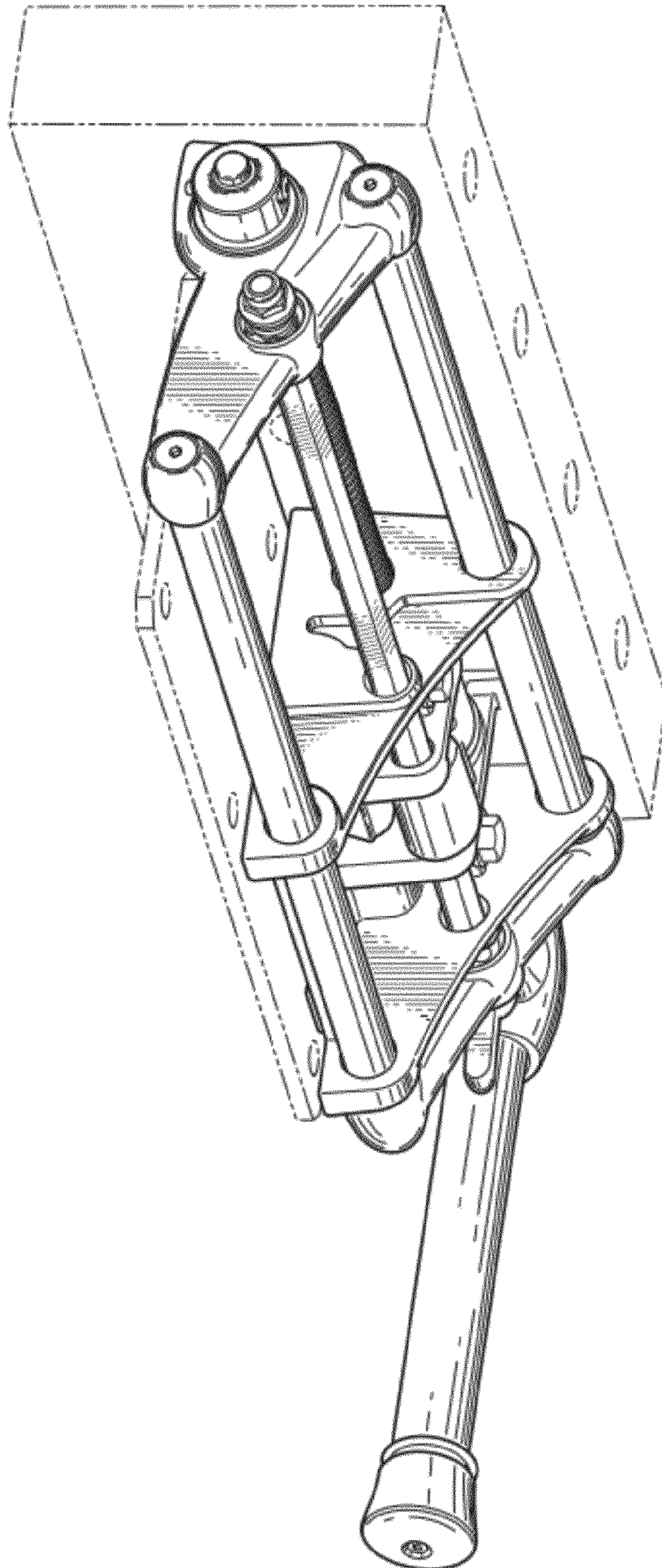


FIG. 2



FIG. 3

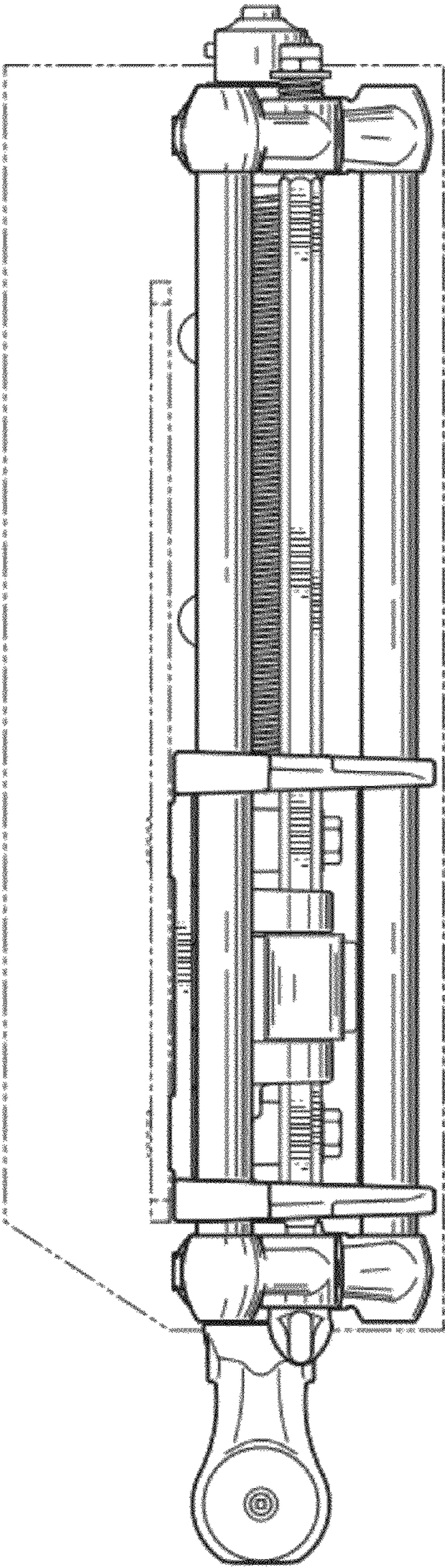


FIG. 4

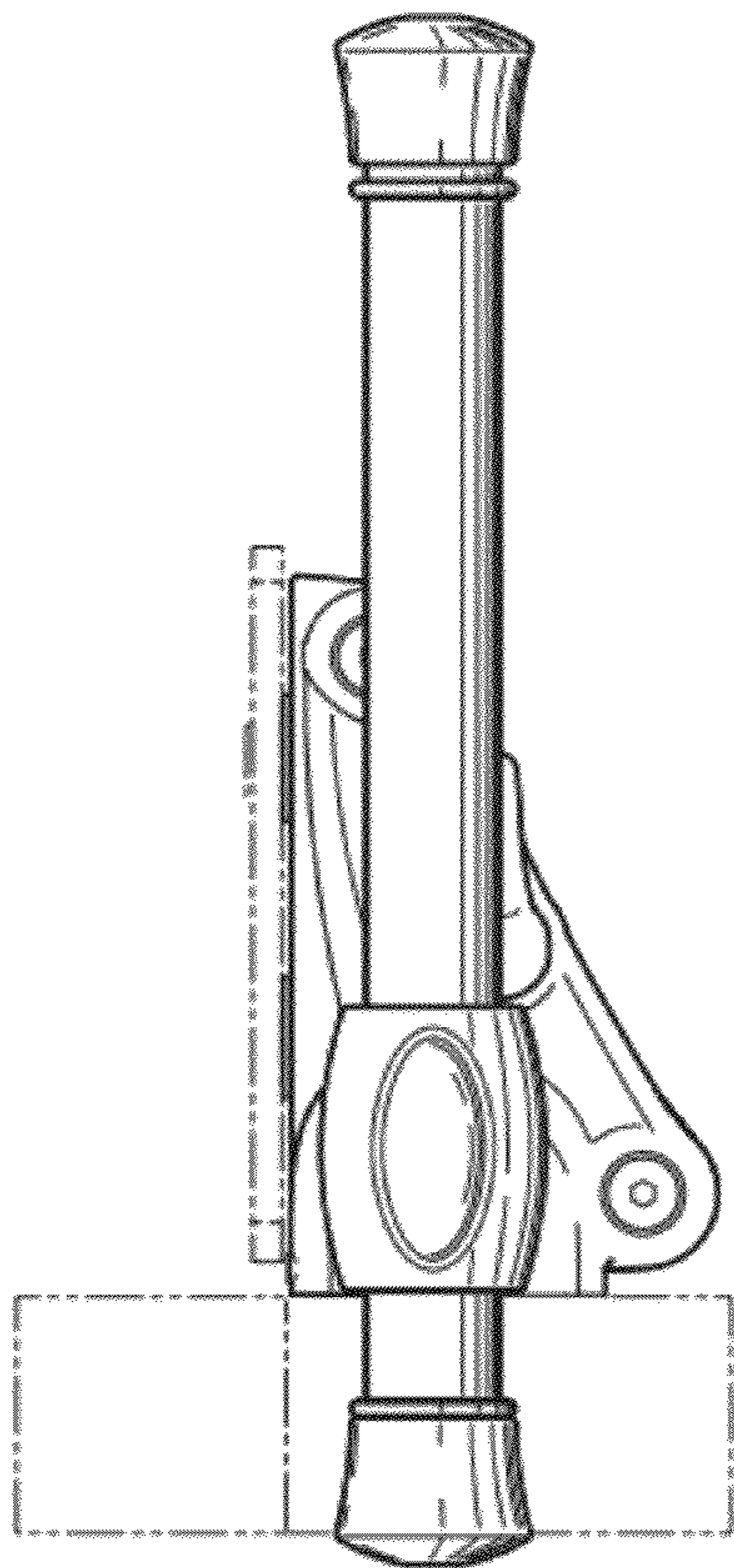


FIG. 5

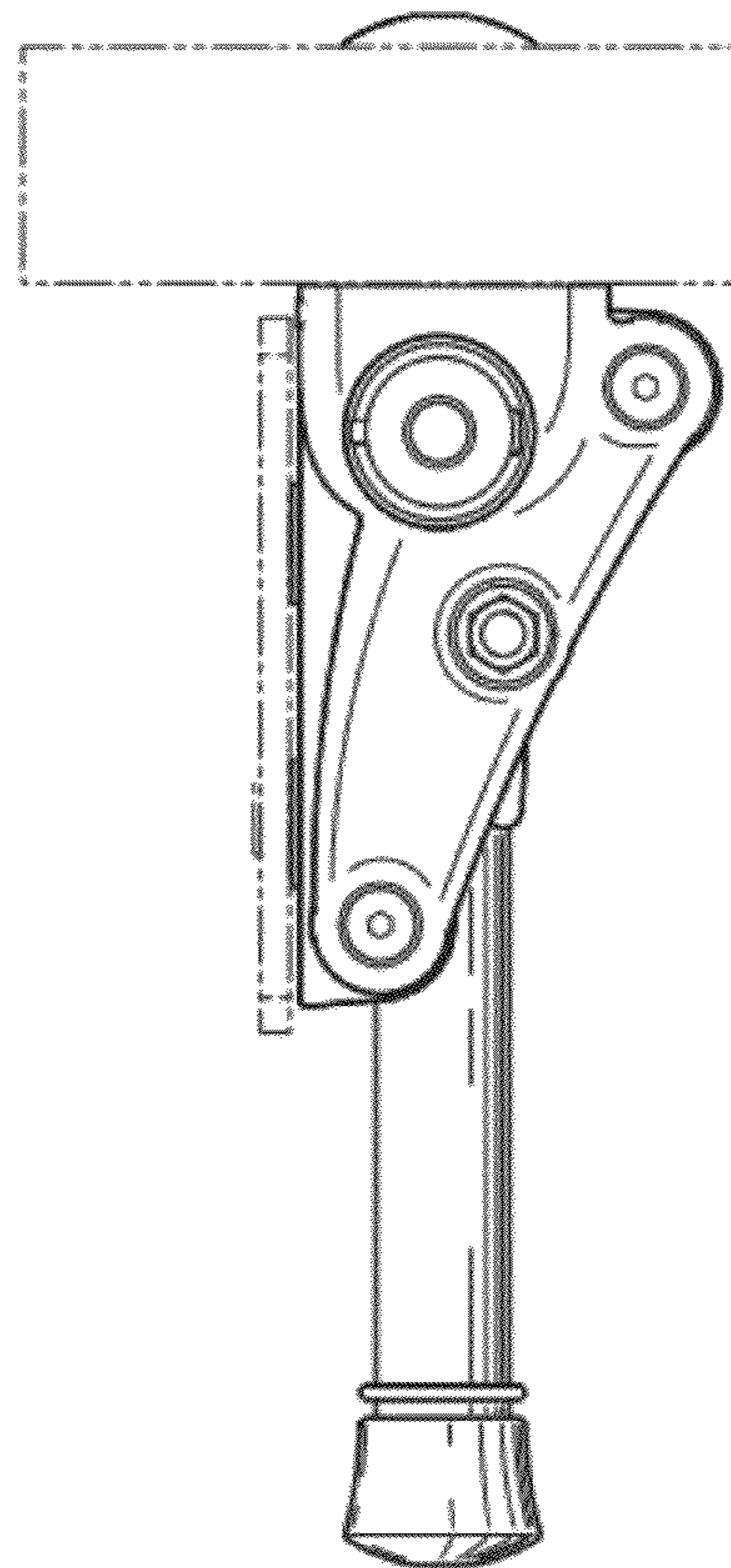


FIG. 6

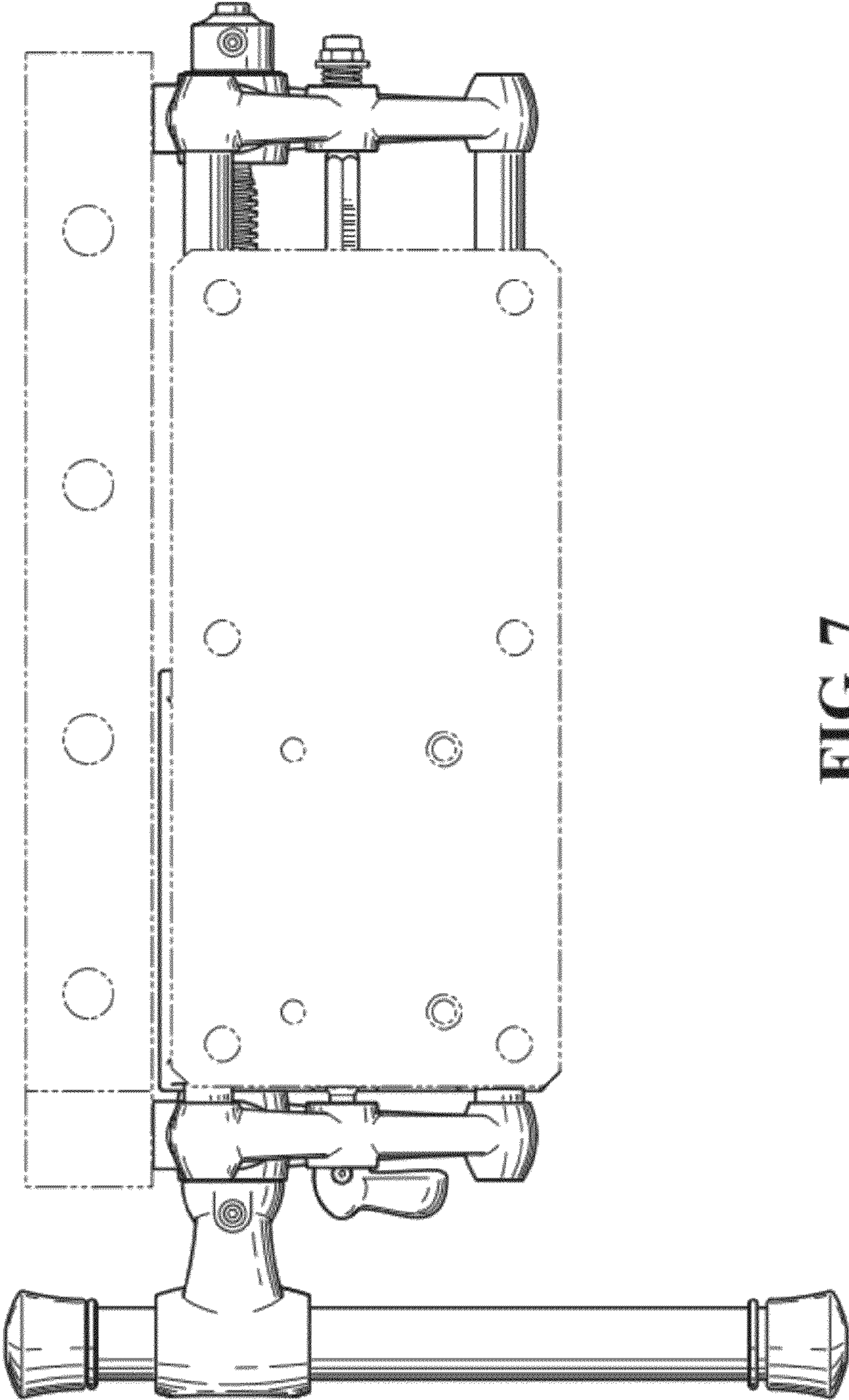


FIG. 7

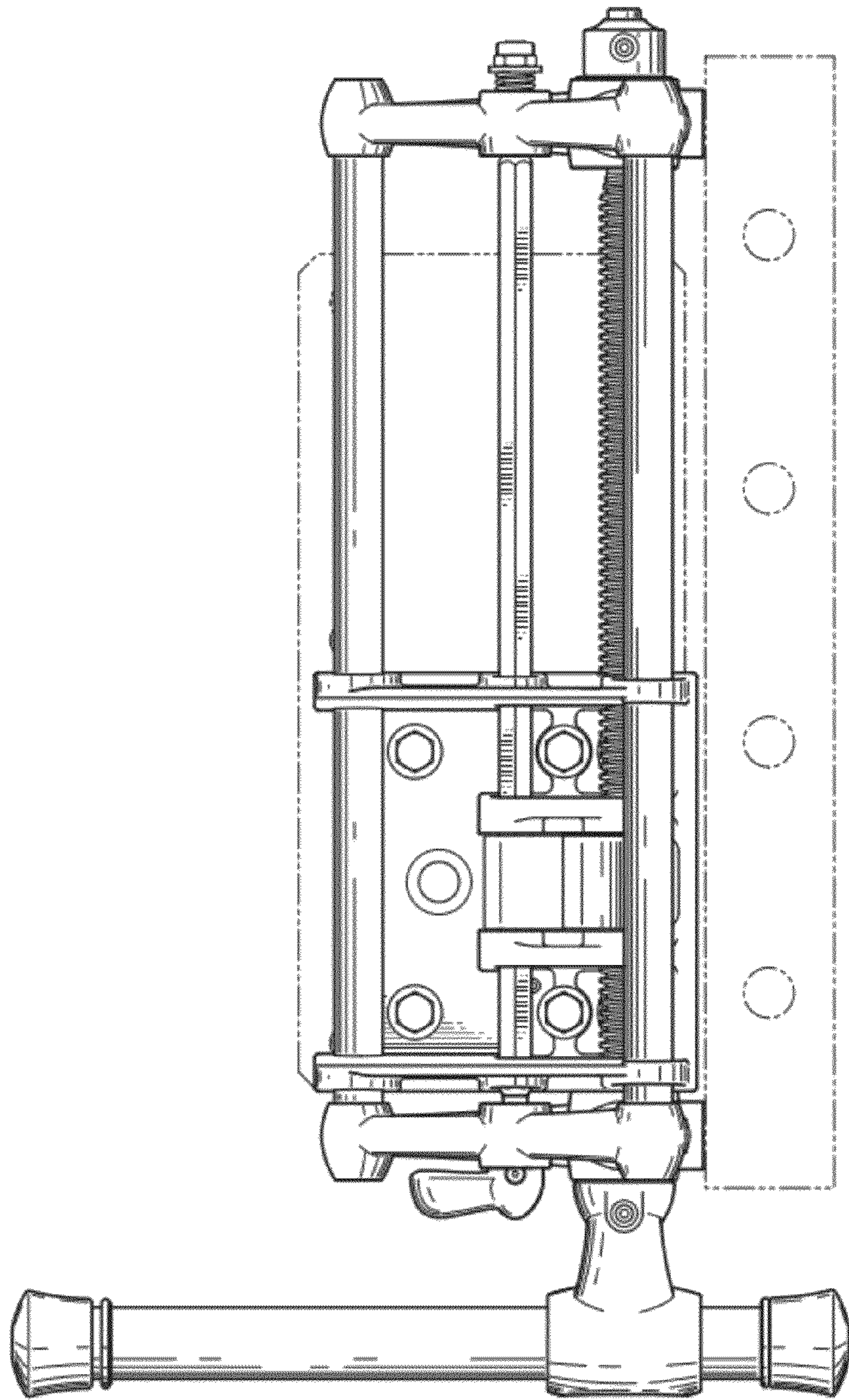


FIG. 8

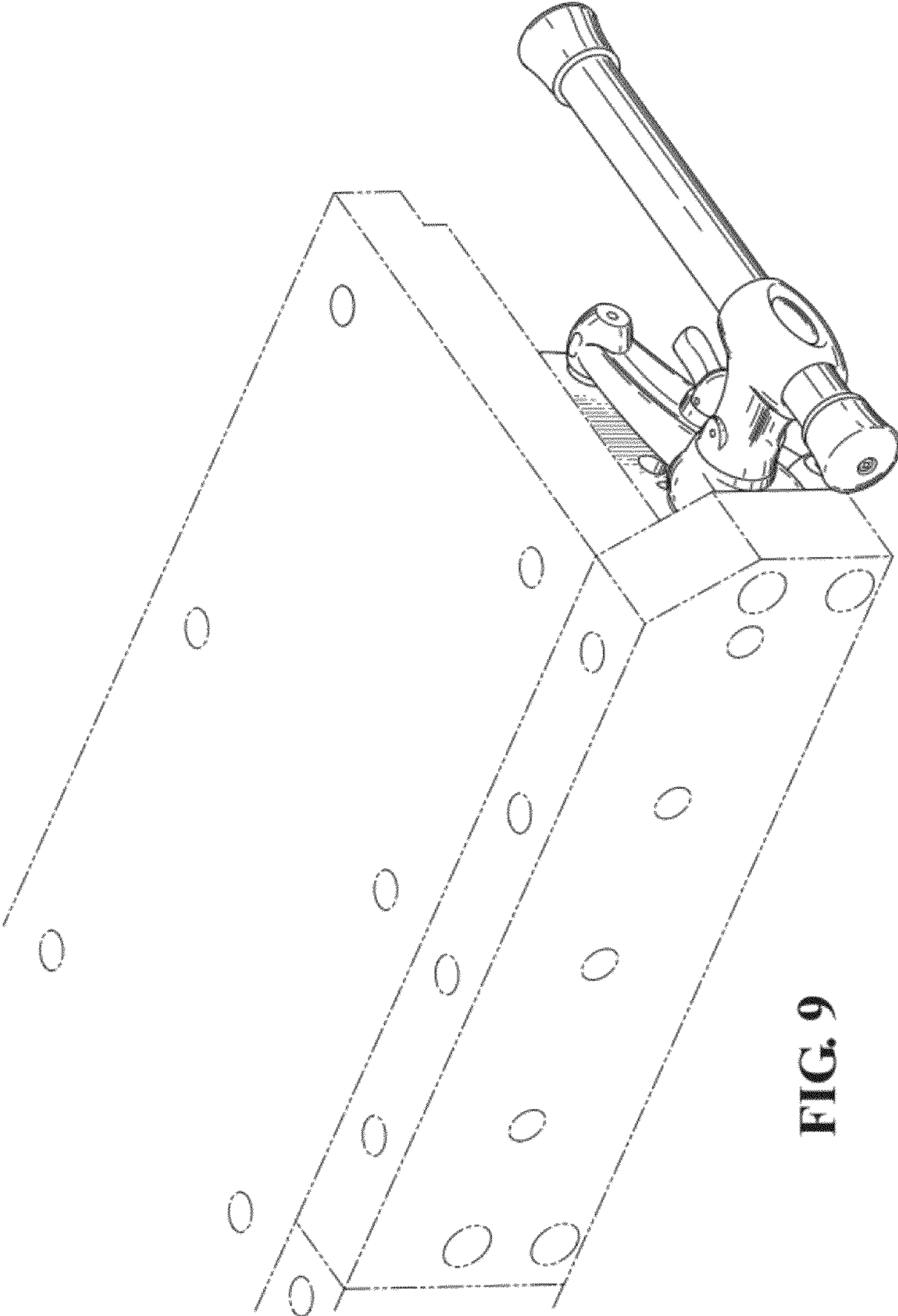


FIG. 9