



US00D671807S

(12) **United States Design Patent**  
**Gooden**

(10) **Patent No.:** **US D671,807 S**  
(45) **Date of Patent:** **\*\* Dec. 4, 2012**

(54) **ROOT DIRECTOR**

D572,342 S \* 7/2008 Huang ..... D23/229  
D607,547 S \* 1/2010 Maier et al. .... D23/262  
8,065,834 B2 \* 11/2011 Eckert ..... 47/66.1

(75) Inventor: **Benjamin D. Gooden**, Singleton (AU)

(73) Assignee: **Woodchuck Landscape Systems**,  
Singleton, NSW (AU)

(\*\*) Term: **14 Years**

(21) Appl. No.: **29/402,538**

(22) Filed: **Sep. 23, 2011**

(51) **LOC (9) Cl.** ..... **08-01**

(52) **U.S. Cl.** ..... **D8/1**

(58) **Field of Classification Search** ..... D8/1, 349,  
D8/382; D23/213, 262, 229, 212; 47/79,  
47/63, 78, 33

See application file for complete search history.

(56) **References Cited**

**U.S. PATENT DOCUMENTS**

4,622,775 A \* 11/1986 Glenn et al. .... 47/63  
4,665,645 A \* 5/1987 Schau et al. .... 47/32.7  
D319,291 S \* 8/1991 Hanzel ..... D23/213  
5,371,967 A \* 12/1994 Albrecht ..... 47/78  
D424,386 S \* 5/2000 Lundeen et al. .... D8/1  
D560,469 S \* 1/2008 Bartol et al. .... D8/349

**OTHER PUBLICATIONS**

City Green, Root Director C Series, 2011, <http://www.citygreen.com/products/root-management/root-director-c-series/>.\*

\* cited by examiner

*Primary Examiner* — Sheryl Lane

(74) *Attorney, Agent, or Firm* — Dowell & Dowell, PC

(57) **CLAIM**

The ornamental design for root director, as shown and described.

**DESCRIPTION**

FIG. 1 illustrates a perspective view of a root director.

FIG. 2 illustrates a top view thereof.

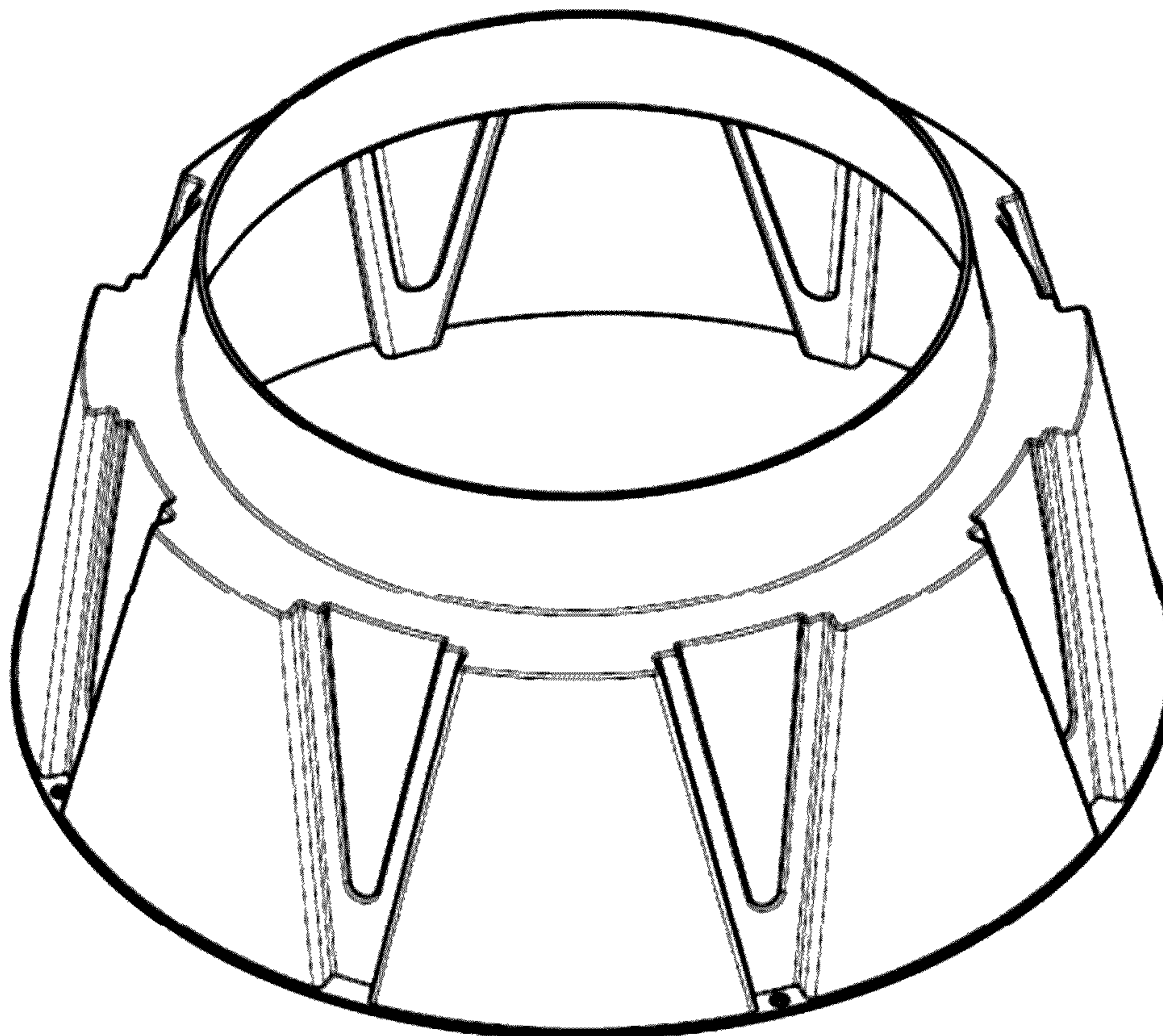
FIG. 3 illustrates a side view thereof.

FIG. 4 illustrates another side view thereof; and,

FIG. 5 illustrates a bottom view thereof.

The root director has a generally frustoconical shape, and includes a plurality of V-shaped recesses spaced around its wall.

**1 Claim, 4 Drawing Sheets**



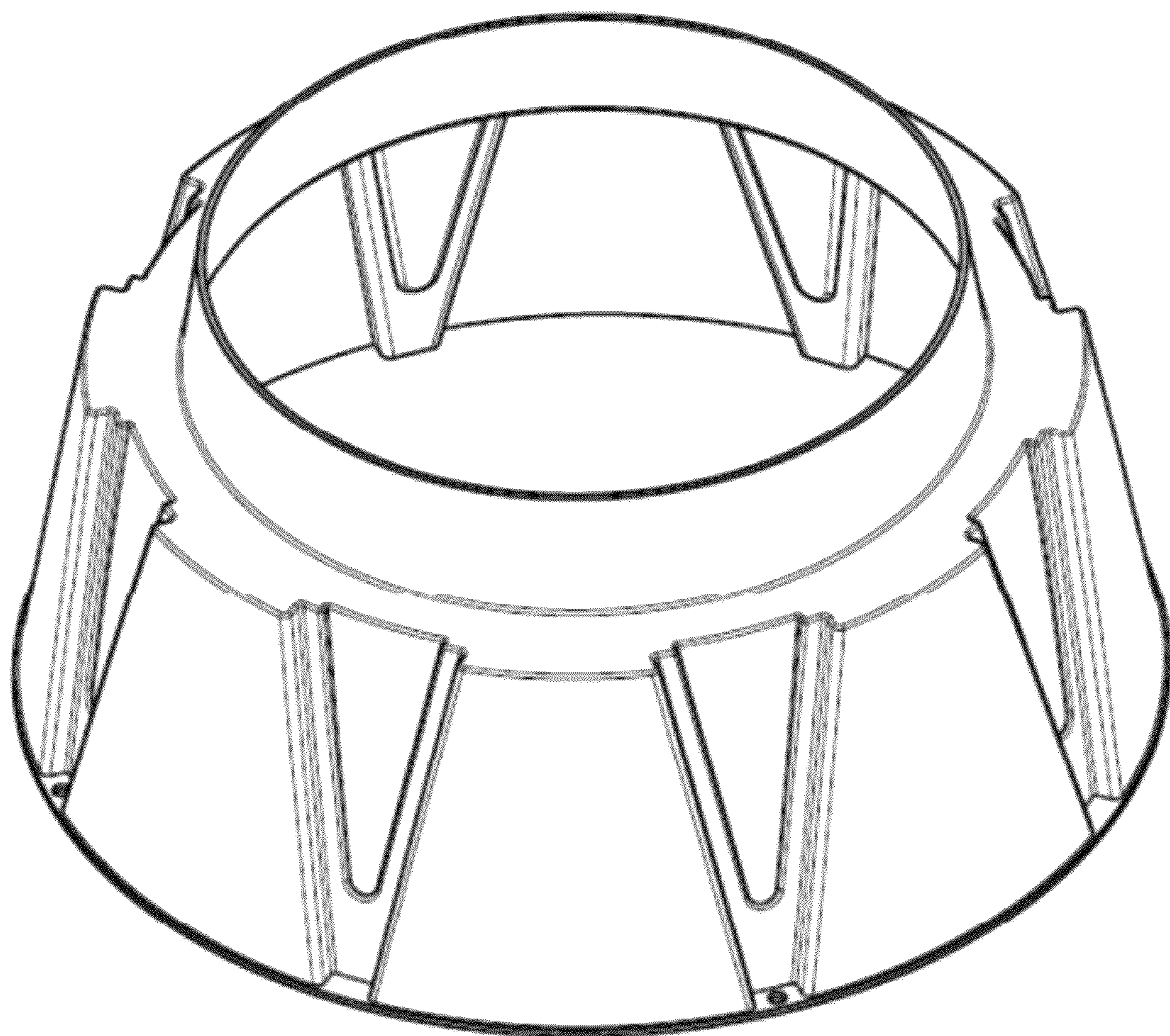


FIG. 1

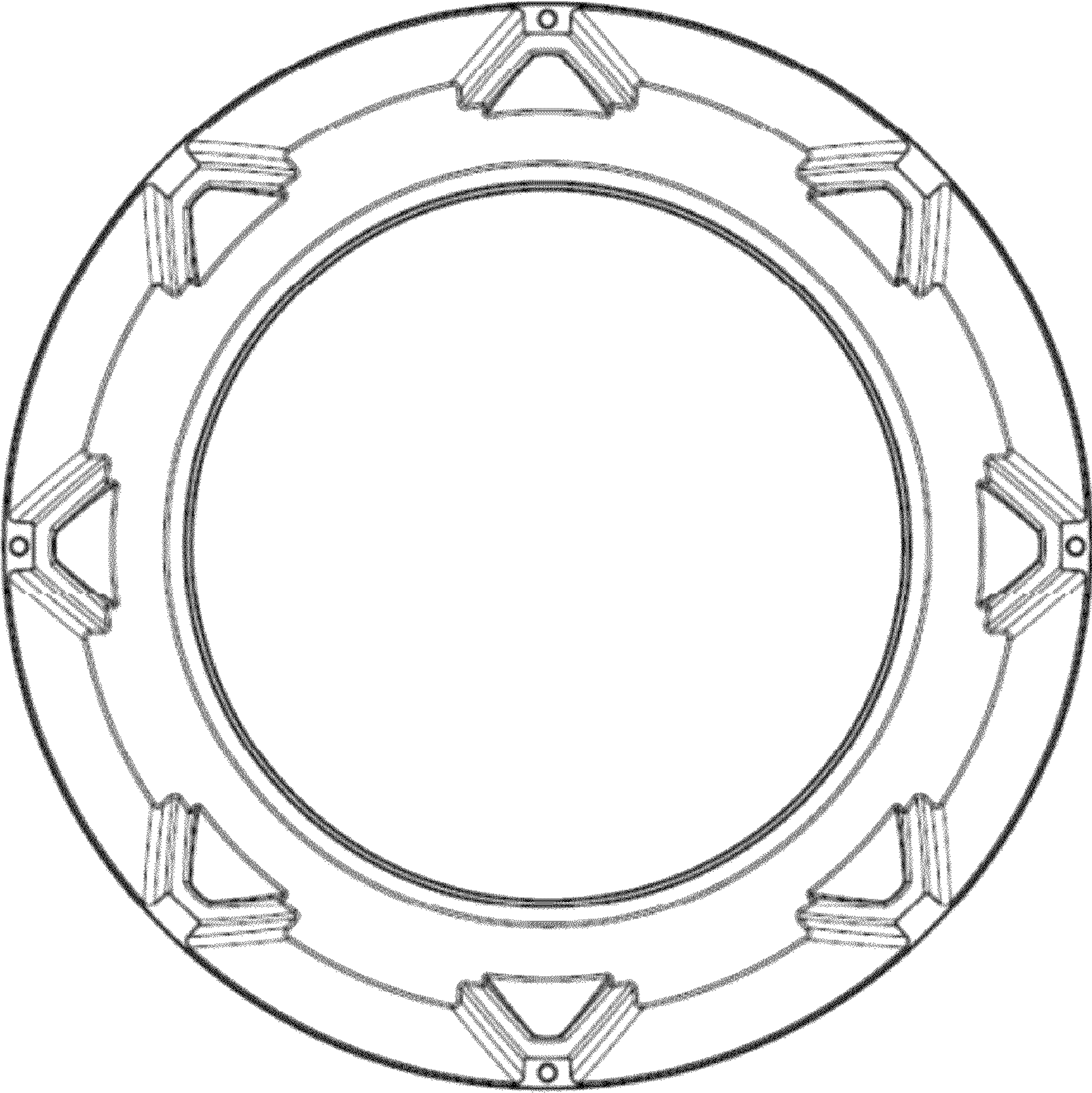


FIG. 2

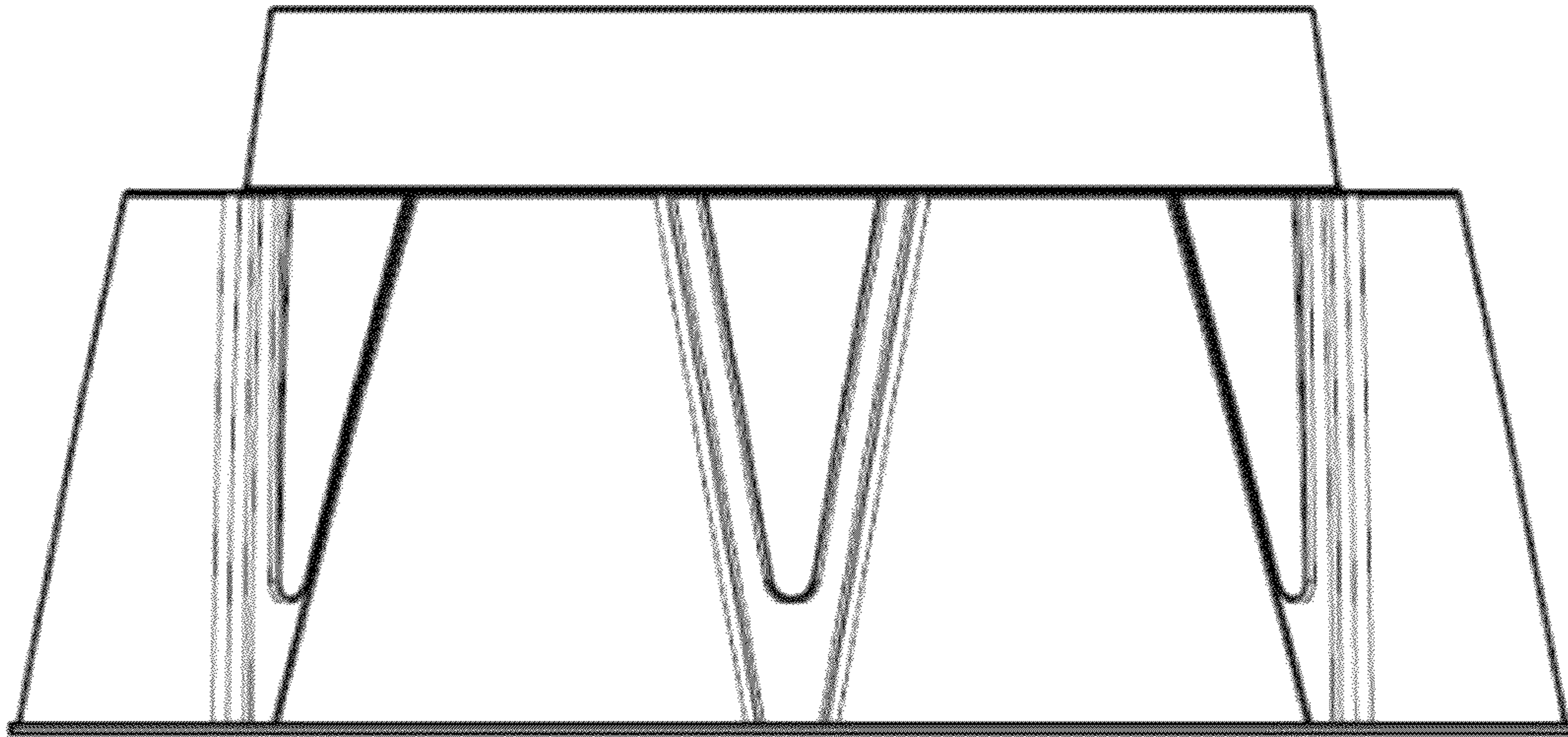


FIG. 3

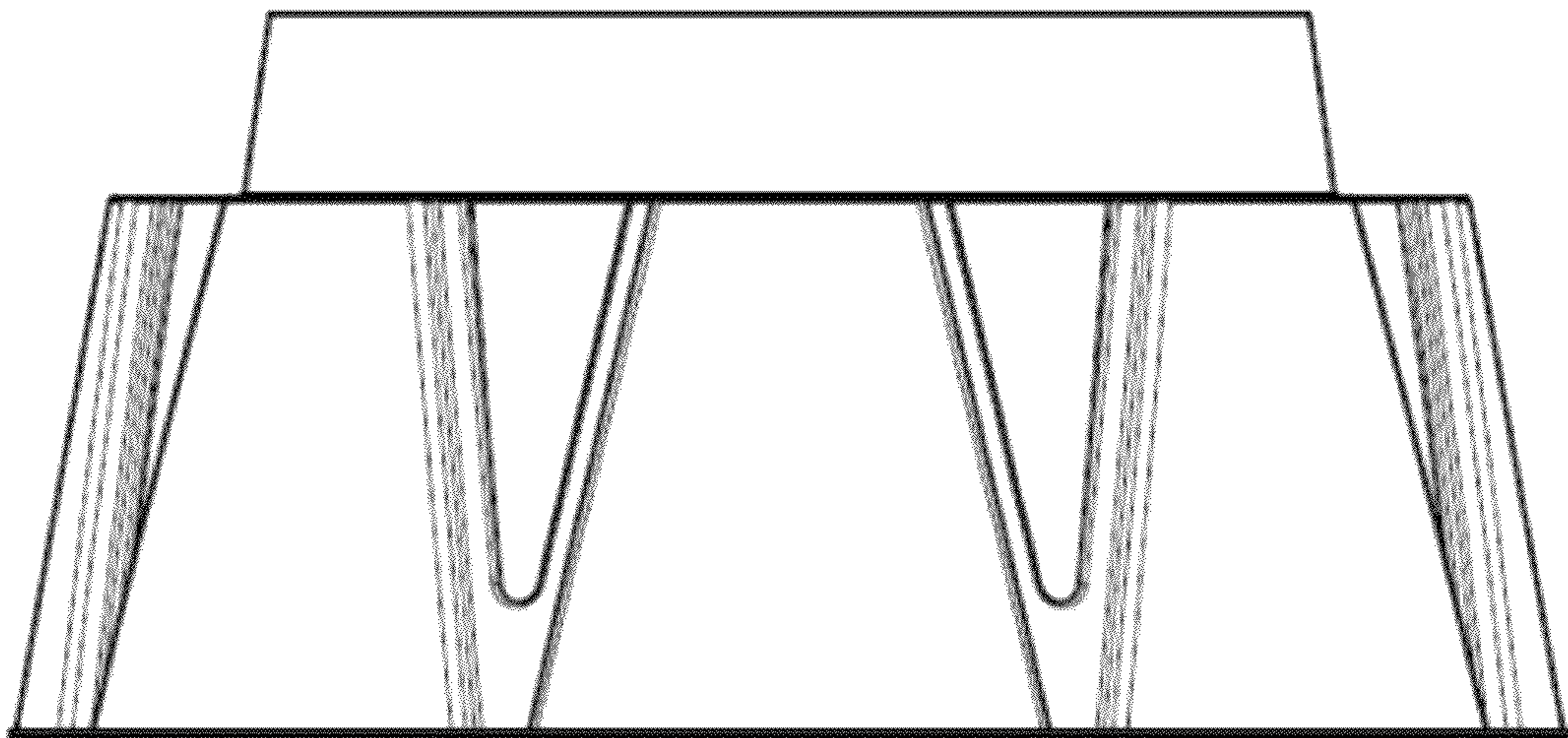


FIG. 4

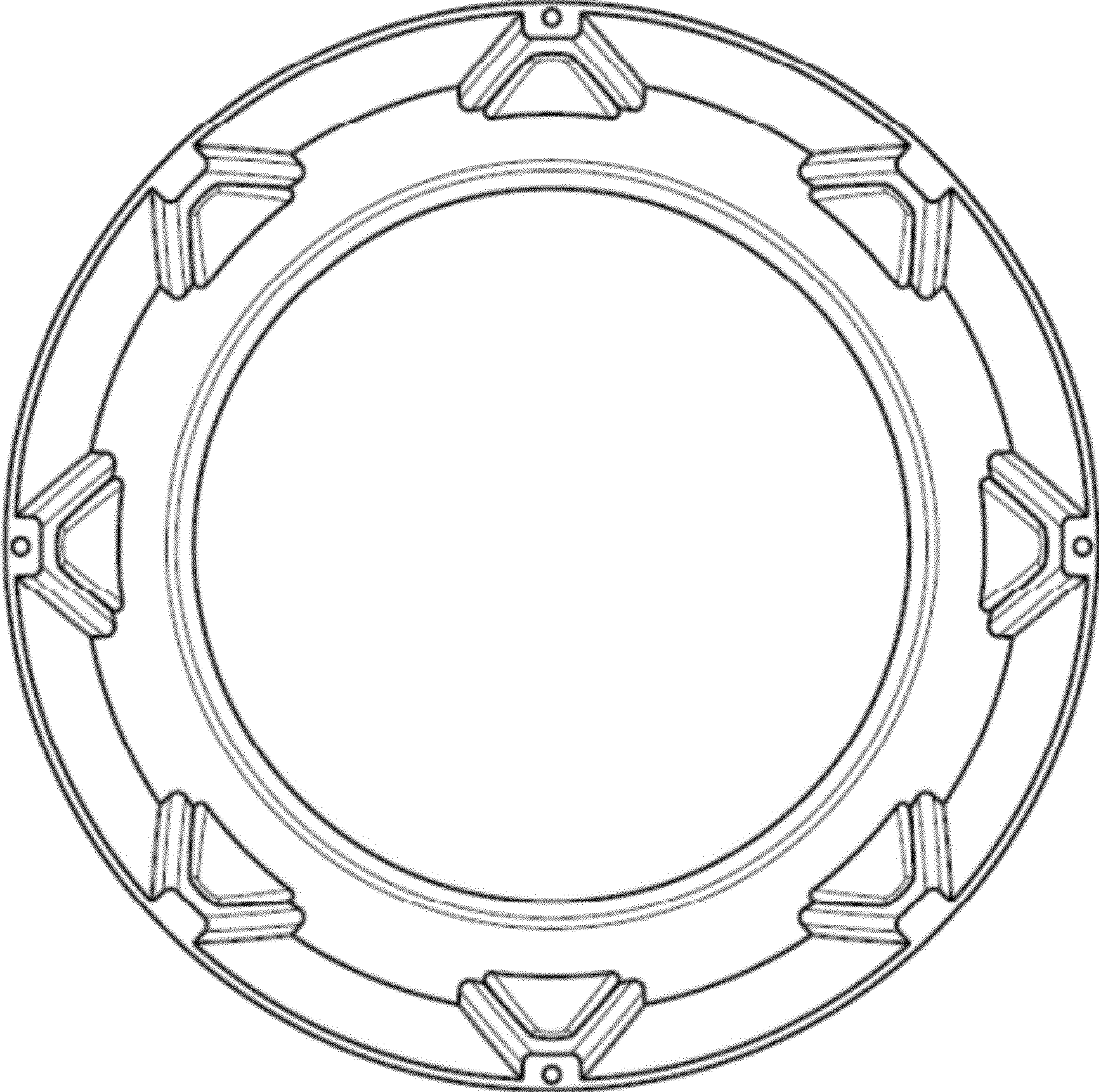


FIG. 5