



US00D671806S

(12) **United States Design Patent**
Kaufmann

(10) **Patent No.:** **US D671,806 S**
(45) **Date of Patent:** **** Dec. 4, 2012**

(54) **CUTTING BOARD**

(76) Inventor: **Scott W. Kaufmann**, Little River, SC
(US)

(**) Term: **14 Years**

(21) Appl. No.: **29/414,639**

(22) Filed: **Mar. 1, 2012**

(51) **LOC (9) Cl.** **07-04**

(52) **U.S. Cl.** **D7/698**

(58) **Field of Classification Search** D7/359-368,
D7/392.1, 412, 550.1, 552.1, 553.1, 554.3-554.4,
D7/555, 566, 586-587, 637-638, 667, 698-699;
D10/46.3; D24/204; 99/357, 449-450; 269/13,
269/15-16, 289 R, 302.1, 575

See application file for complete search history.

(56) **References Cited**

U.S. PATENT DOCUMENTS

D154,671	S *	8/1949	Foley	D7/566
D255,530	S *	6/1980	Daenen et al.	D10/46.3
D284,058	S *	6/1986	Kahn et al.	D7/587
D304,277	S *	10/1989	Wolff et al.	D7/698
5,248,057	A	9/1993	Taylor		
5,299,722	A	4/1994	Cheney		
D353,080	S *	12/1994	Cantereels et al.	D7/667
5,398,812	A	3/1995	Hwang		
5,484,092	A	1/1996	Cheney		
D379,574	S *	6/1997	Jeppesen et al.	D7/698
5,876,047	A	3/1999	Dennis		

5,890,613	A	4/1999	Williams		
D434,618	S *	12/2000	Yu	D7/698
D434,953	S *	12/2000	Yu	D7/698
7,434,410	B2	10/2008	Ford		
D588,879	S *	3/2009	Brett	D7/698
D598,252	S *	8/2009	West et al.	D7/698
D608,165	S *	1/2010	Davies et al.	D7/698
7,774,908	B2	8/2010	Biondo et al.		
D640,500	S *	6/2011	Button	D7/362
D660,444	S *	5/2012	Tran	D24/204
2009/0033012	A1	2/2009	Correa		
2010/0089935	A1	4/2010	Heilman et al.		
2010/0200581	A1	8/2010	Maltz		

* cited by examiner

Primary Examiner — Ricky Pham

(74) *Attorney, Agent, or Firm* — P. Jeff Martin; The Law Firm of P. Jeffrey Martin, LLC

(57) **CLAIM**

The ornamental design for a cutting board, as shown and described.

DESCRIPTION

FIG. 1 is a front perspective view of a cutting board showing my new design;

FIG. 2 is a left side view thereof;

FIG. 3 is a right side view thereof;

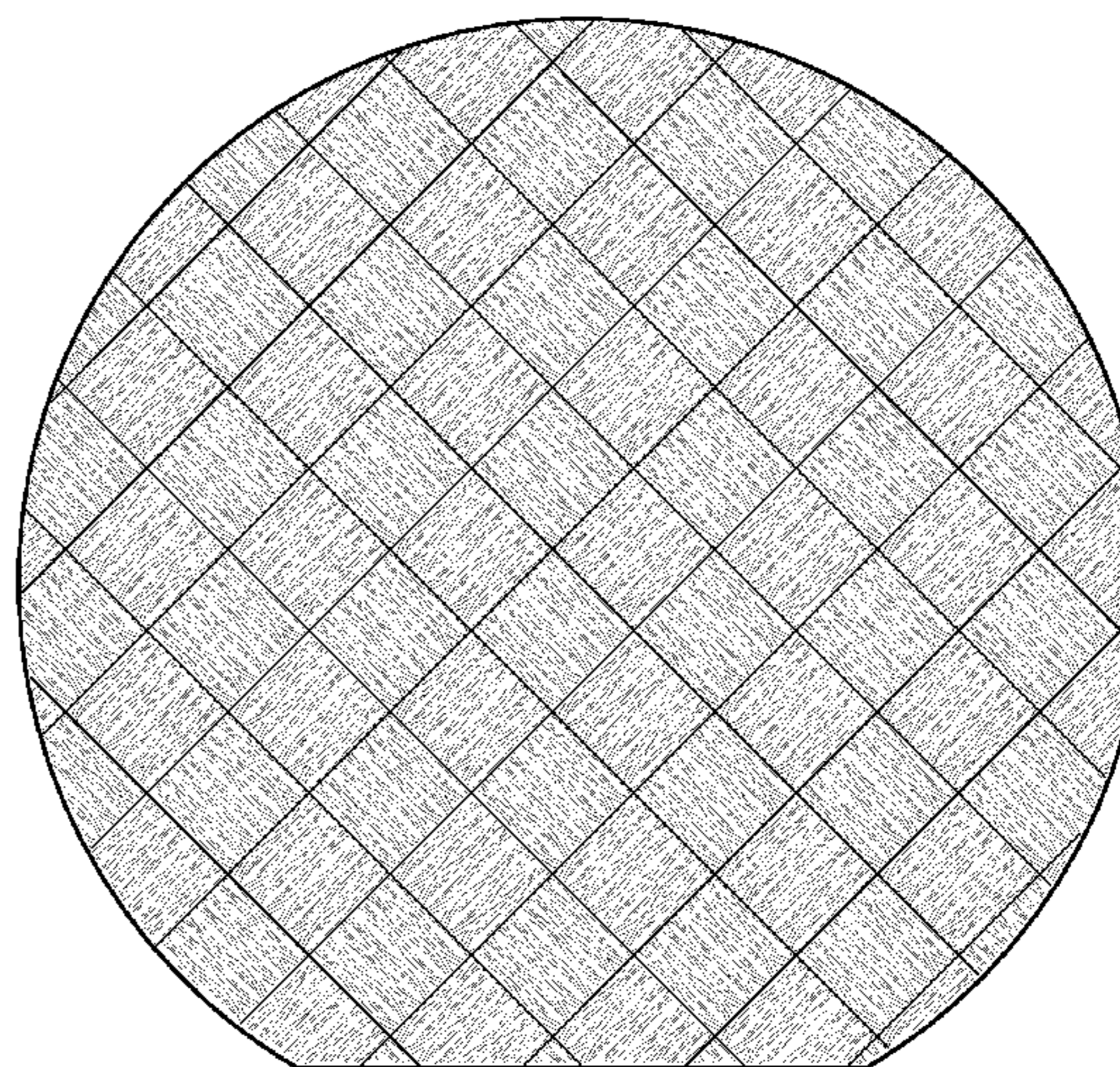
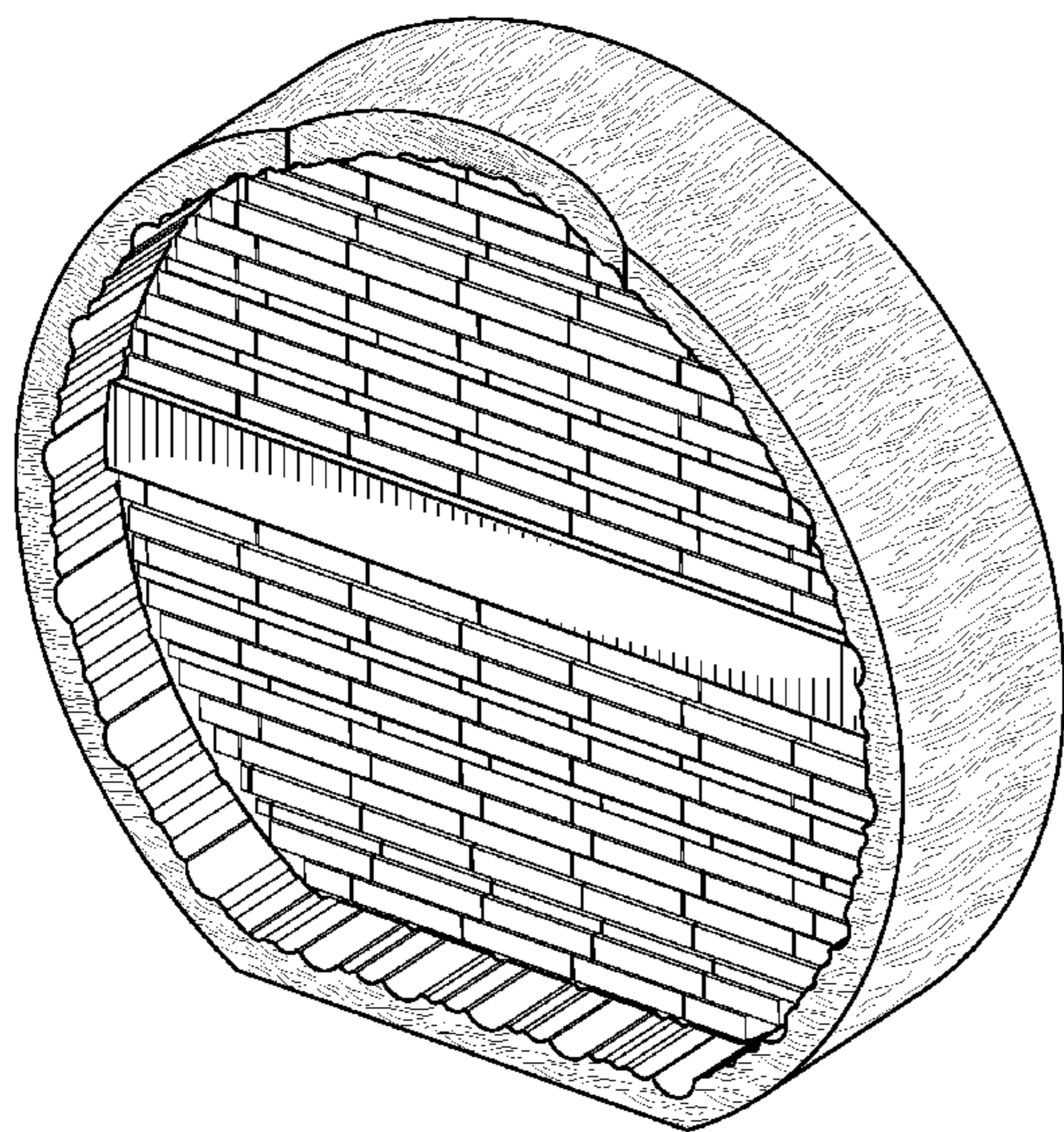
FIG. 4 is a front end view thereof;

FIG. 5 is a rear end view of thereof;

FIG. 6 is a top end view thereof; and,

FIG. 7 is a bottom end view thereof.

1 Claim, 3 Drawing Sheets



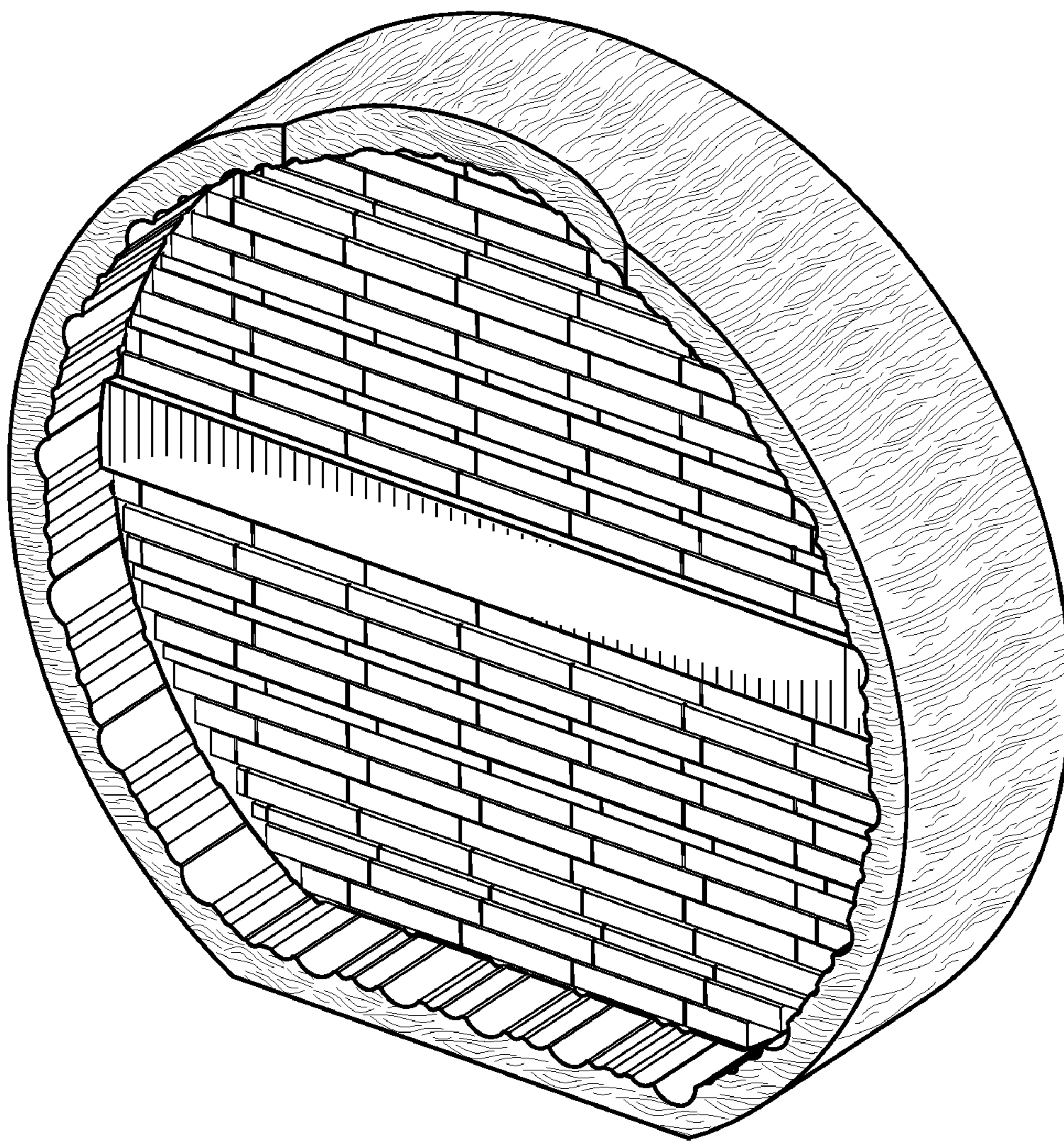


FIG. 1

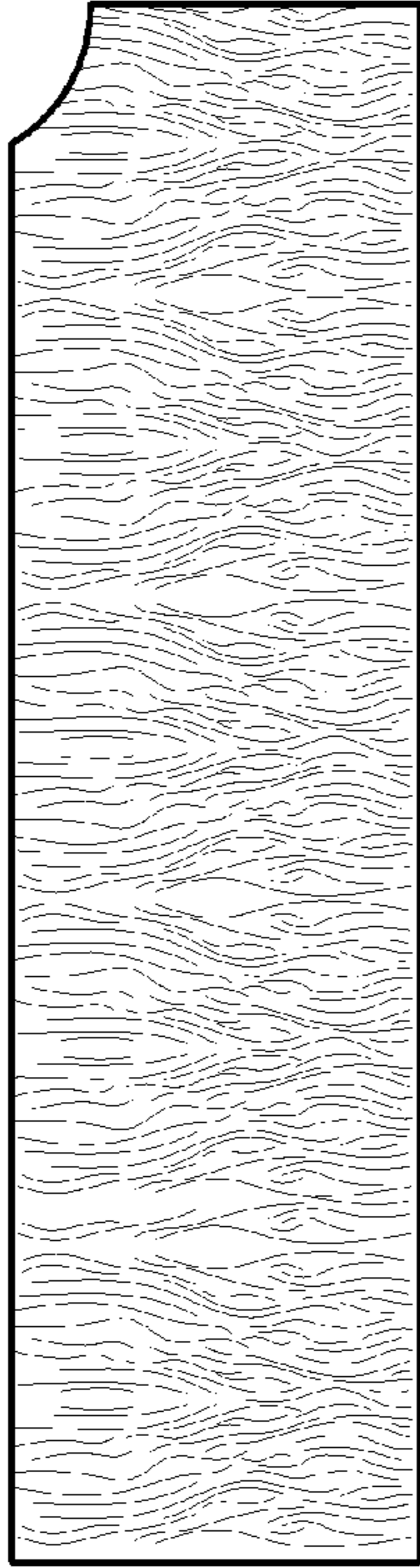


FIG. 2

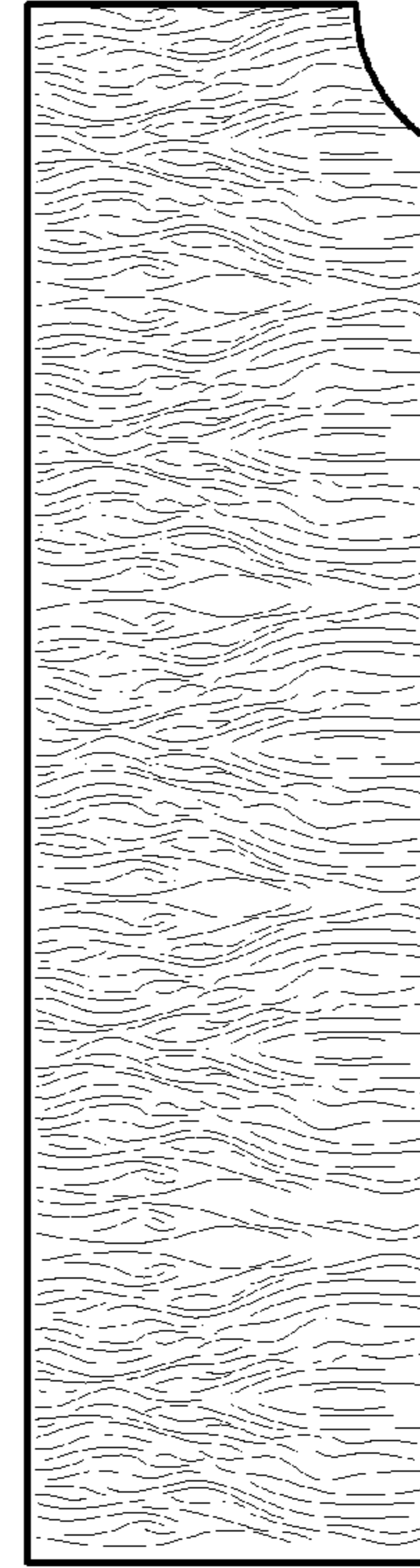


FIG. 3

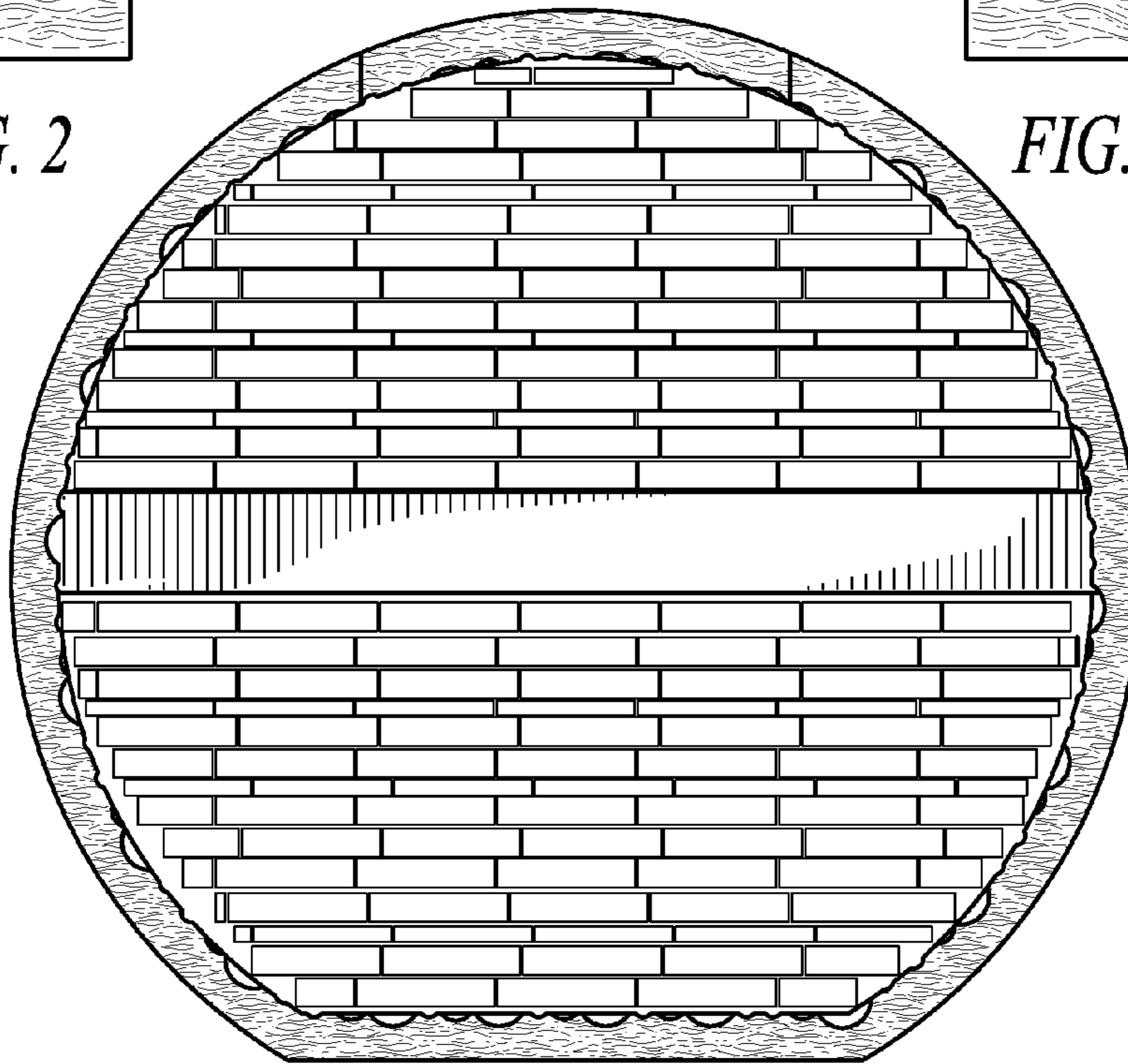


FIG. 4

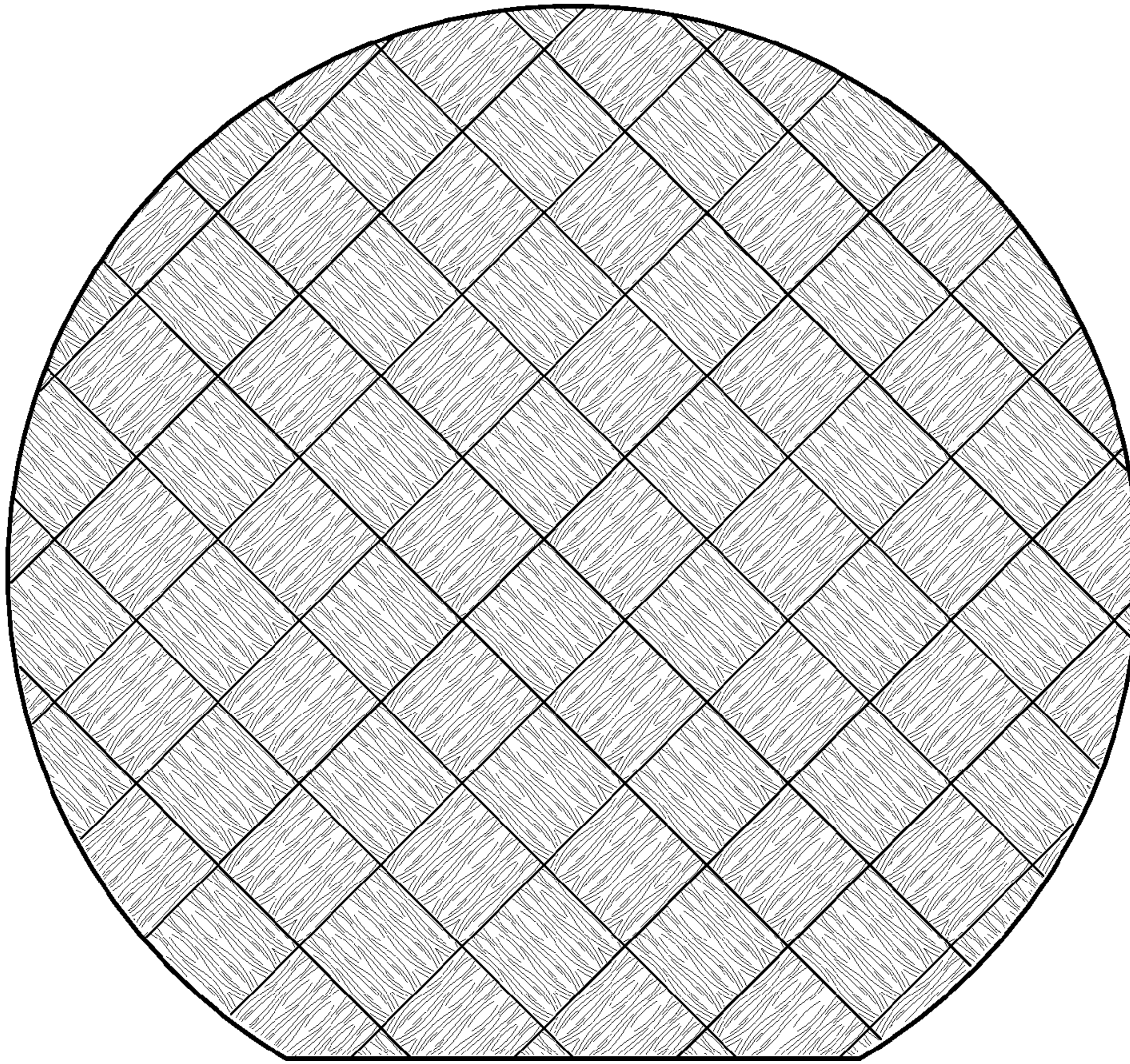


FIG. 5

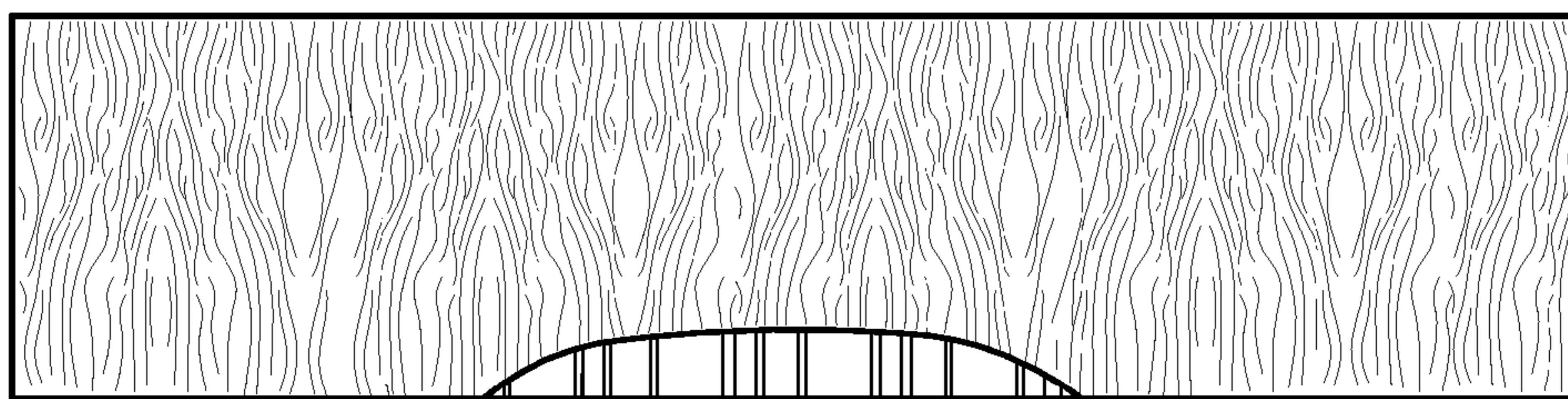


FIG. 6

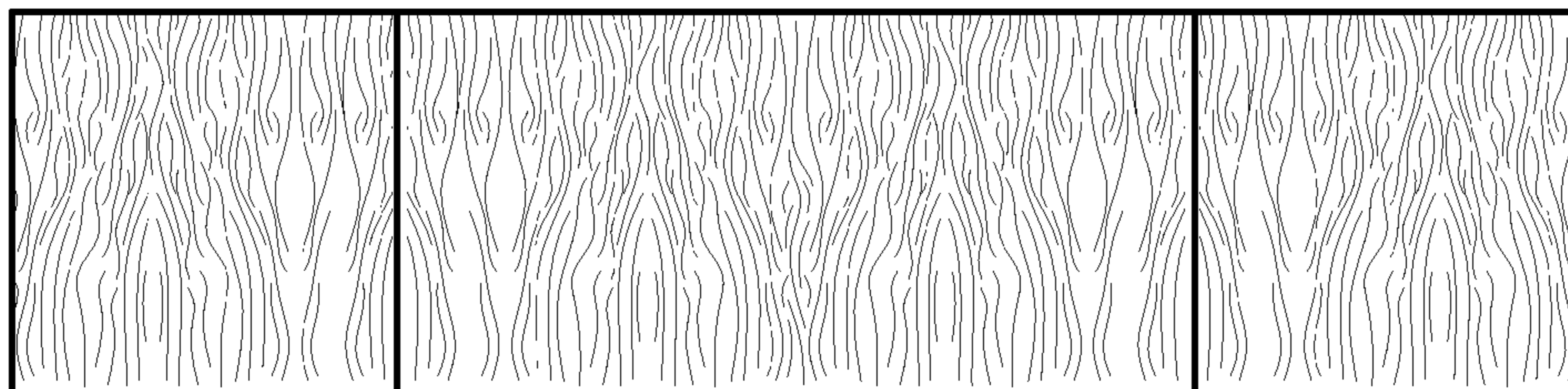


FIG. 7