



US00D671801S

(12) **United States Design Patent**
He et al.

(10) **Patent No.:** **US D671,801 S**
(45) **Date of Patent:** **** Dec. 4, 2012**

(54) **CUTLERY SET**

(75) Inventors: **Wei He**, Shanghai (CN); **Xin Quan Ho**,
Tianjin (CN); **William C. Godley**,
Bethlehem, PA (US)

(73) Assignee: **China Direct International Corporation**, Edison, NJ (US)

(**) Term: **14 Years**

(21) Appl. No.: **29/414,235**

(22) Filed: **Feb. 27, 2012**

(51) **LOC (9) Cl.** **07-03**

(52) **U.S. Cl.** **D7/645; D7/642; D7/653; D7/401.2**

(58) **Field of Classification Search** D7/368,
D7/395, 401.2, 642-654, 660-664, 669, 675-676,
D7/683, 688-692, 695-696; 30/137, 141-143,
30/147-150, 322-327, 329, 340, 342-344;
416/70 R

See application file for complete search history.

(56) **References Cited**

U.S. PATENT DOCUMENTS

D80,592 S *	2/1930	Warren	D7/653
D140,264 S *	2/1945	Farber	D7/647
D140,274 S *	2/1945	Farber	D7/653
D248,009 S *	5/1978	Cannon et al.	D7/664
D275,066 S *	8/1984	Laslo	D7/653
D299,899 S *	2/1989	Liebmann	D7/653

D347,770 S *	6/1994	Gong	D7/653
D474,079 S *	5/2003	Hanners et al.	D7/645
D501,627 S *	2/2005	Poupel	D7/401.2
D623,907 S *	9/2010	Lenge	D7/650
D634,975 S *	3/2011	He et al.	D7/401.2
D634,976 S *	3/2011	He et al.	D7/401.2

* cited by examiner

Primary Examiner — Ricky Pham

(74) *Attorney, Agent, or Firm* — Michael A. Mann; Nexsen Pruet, LLC

(57) **CLAIM**

An ornamental design for a cutlery set, as shown and described.

DESCRIPTION

FIG. 1 is a top perspective view of the design with broken lines showing fork, spoon and knife heads for the purpose of illustrating environmental structure which forms no part of the claimed design;

FIG. 2 is a top view thereof;

FIG. 3 is a bottom view thereof;

FIG. 4 is a right side view thereof;

FIG. 5 is a left side view thereof;

FIG. 6 is a rear view thereof, looking at the design from a side opposite the shown environmental structure; and,

FIG. 7 is a front view thereof.

1 Claim, 5 Drawing Sheets





FIG. 1

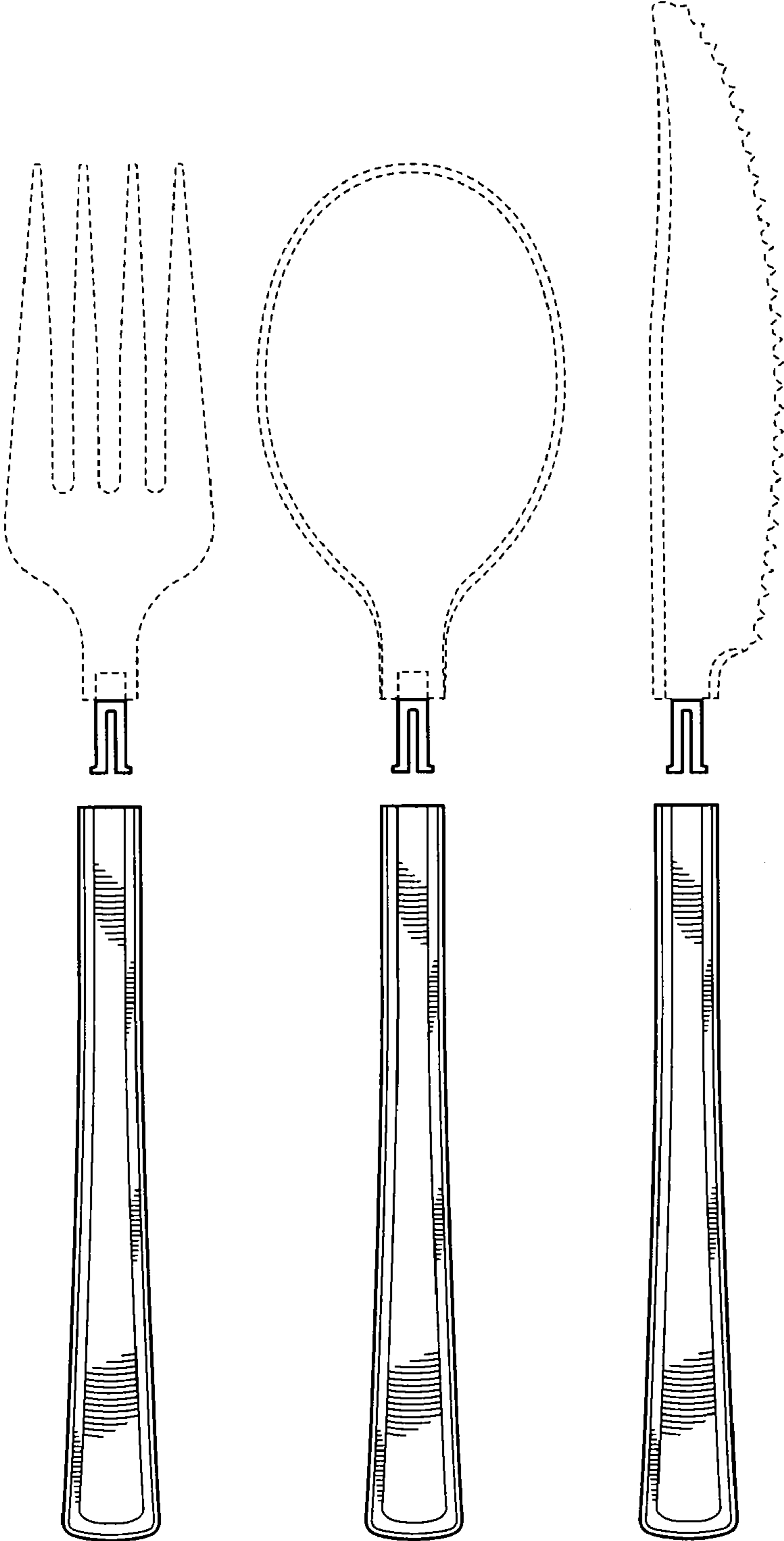


Fig. 2

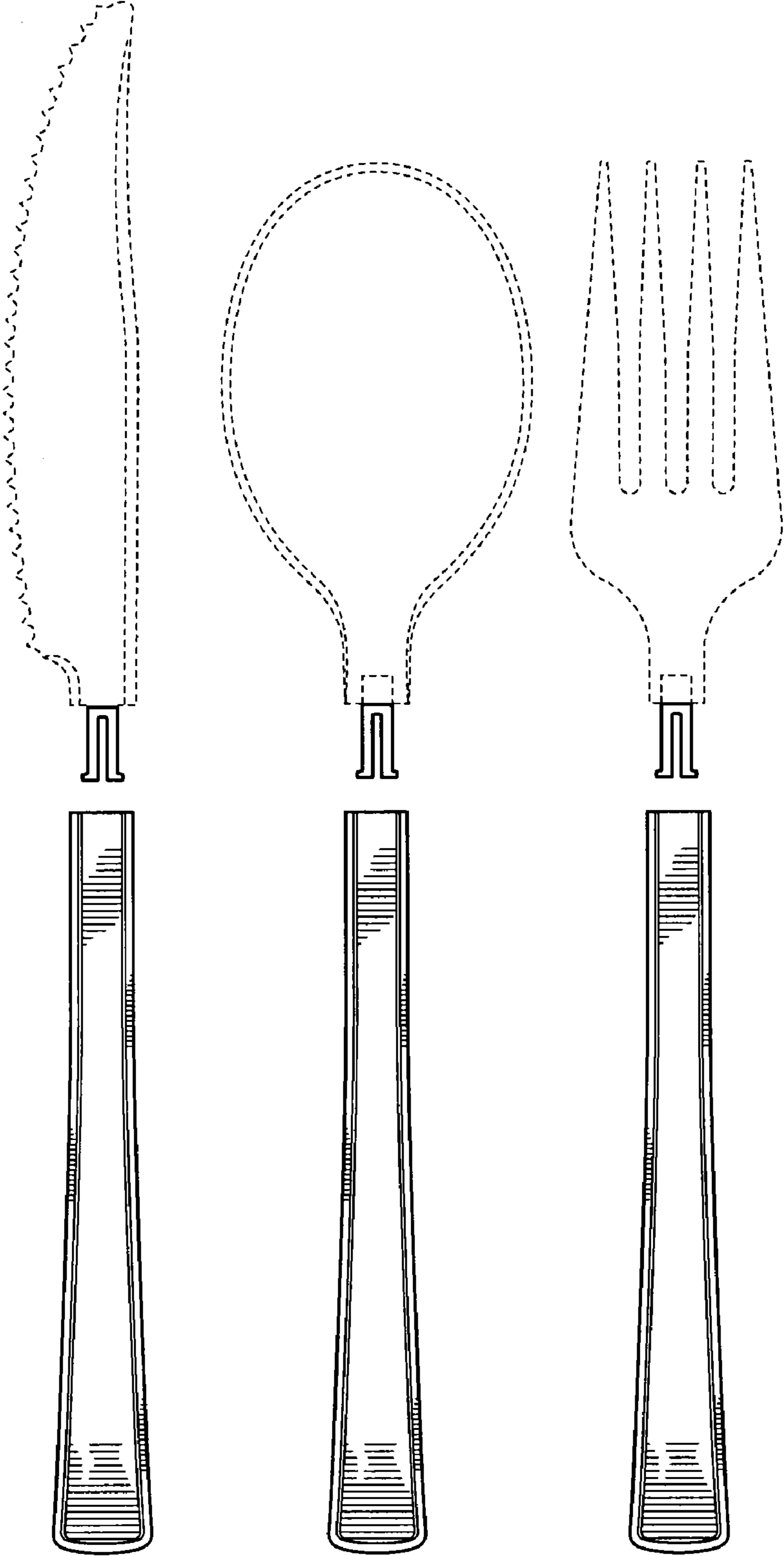


Fig. 3

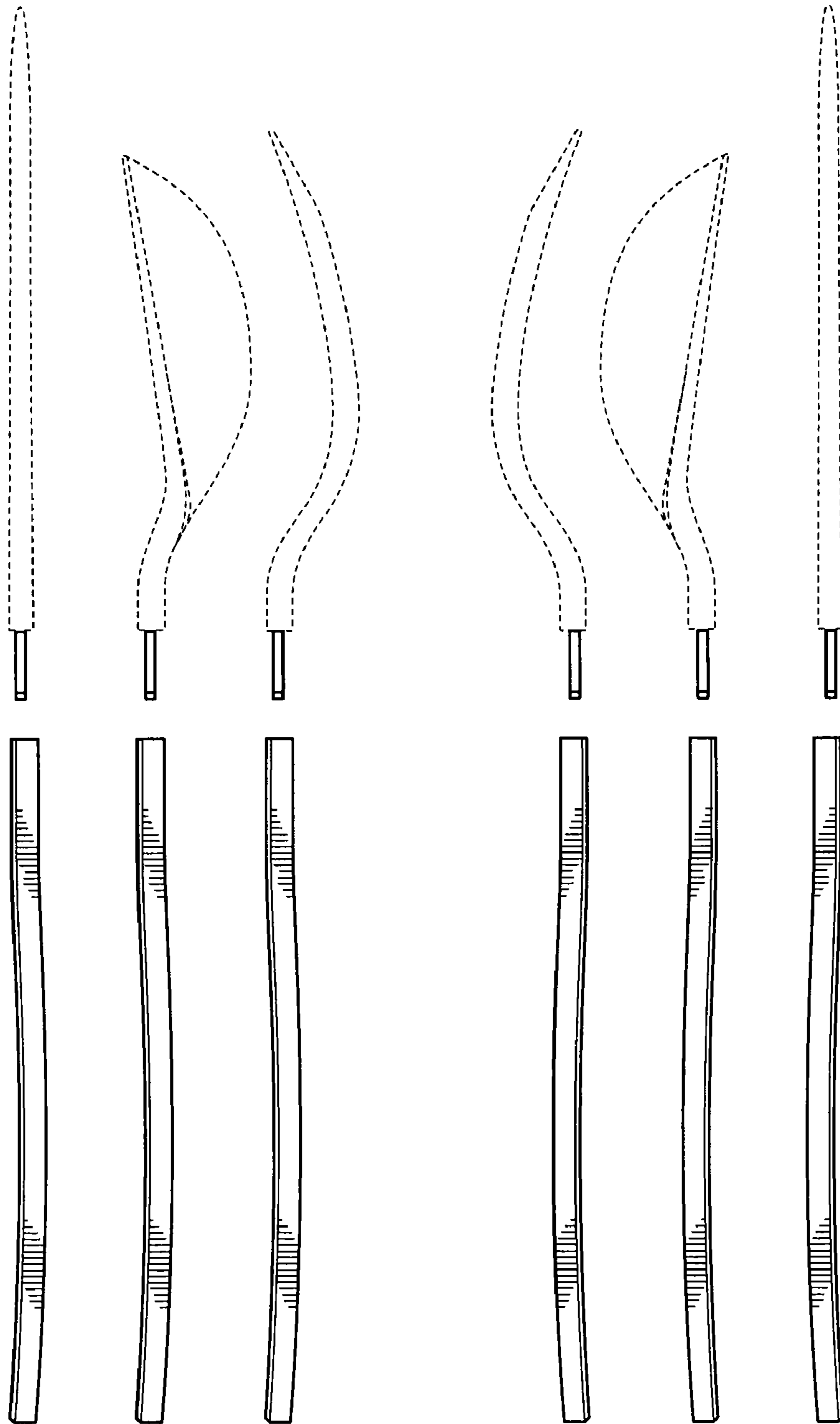


FIG. 4

FIG. 5

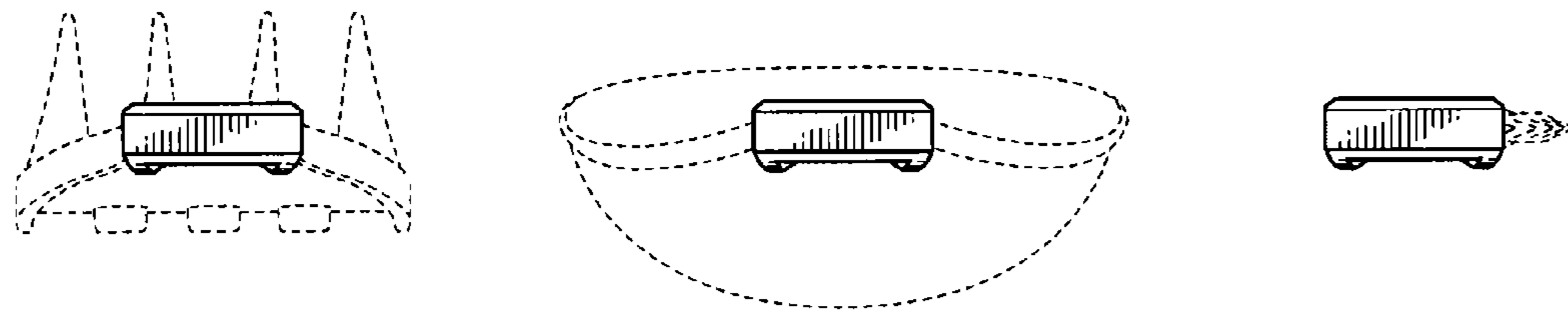


FIG. 6

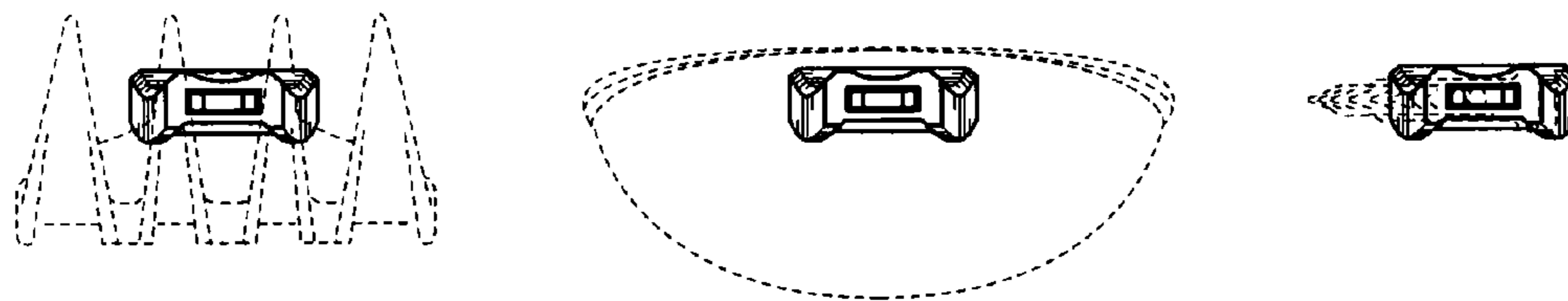


FIG. 7