



US00D671800S

(12) **United States Design Patent**
Apple et al.

(10) **Patent No.:** **US D671,800 S**
(45) **Date of Patent:** **** Dec. 4, 2012**

(54) **NAPKIN HOLDER**

(75) Inventors: **Elizabeth H. Apple**, Minneapolis, MN (US); **Kent D. Katterheinrich**, St. Anthony, MN (US)

(73) Assignee: **Target Brands, Inc.**, Minneapolis, MN (US)

(**) Term: **14 Years**

(21) Appl. No.: **29/420,464**

(22) Filed: **May 9, 2012**

(51) **LOC (9) Cl.** **07-06**

(52) **U.S. Cl.** **D7/634**

(58) **Field of Classification Search** D7/631-634;
24/563, 7-9, 3.12; D9/602

See application file for complete search history.

(56) **References Cited**

U.S. PATENT DOCUMENTS

263,576	A	*	8/1882	Potter	24/563
D86,266	S	*	2/1932	Prout	D7/634
D160,088	S	*	9/1950	Hutzler	D7/634
D199,415	S	*	10/1964	Muller	D9/602
D343,994	S	*	2/1994	Lin	D7/633
D356,235	S	*	3/1995	Yee	D7/633
D507,156	S	*	7/2005	Heiberg	D7/631

OTHER PUBLICATIONS

“How to Make an Origami Crane,” printed on May 9, 2011 (1 page).

* cited by examiner

Primary Examiner — Terry Wallace

(74) *Attorney, Agent, or Firm* — Griffiths & Seaton PLLC

(57) **CLAIM**

The ornamental design for a napkin holder, as shown and described.

DESCRIPTION

FIG. 1 is a front, top perspective view of a napkin holder showing a first embodiment of our new design;

FIG. 2 is a front view thereof, the rear view being a mirror image of the front view;

FIG. 3 is a left side view thereof;

FIG. 4 is a right side view thereof;

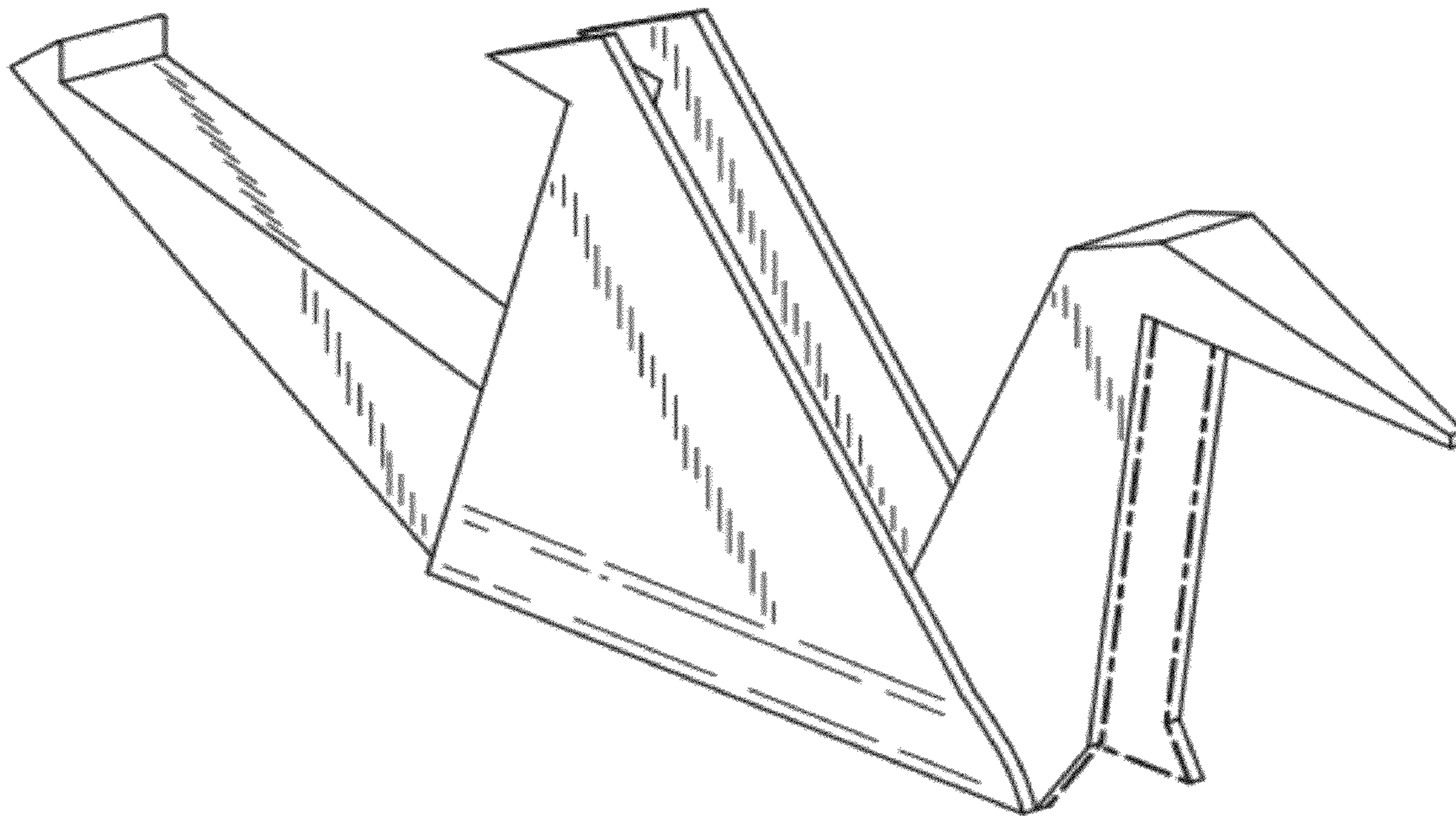
FIG. 5 is a top view thereof;

FIG. 6 is a bottom view thereof; and,

FIG. 7 is a front, top perspective view thereof shown with additional environmental subject matter.

The features shown in broken lines depict surfaces of the napkin holder and environmental subject matter that form no part of the claimed design. The bolded long dash-short dash lines indicate the bounds of the claim and otherwise form no part of the claimed design.

1 Claim, 4 Drawing Sheets



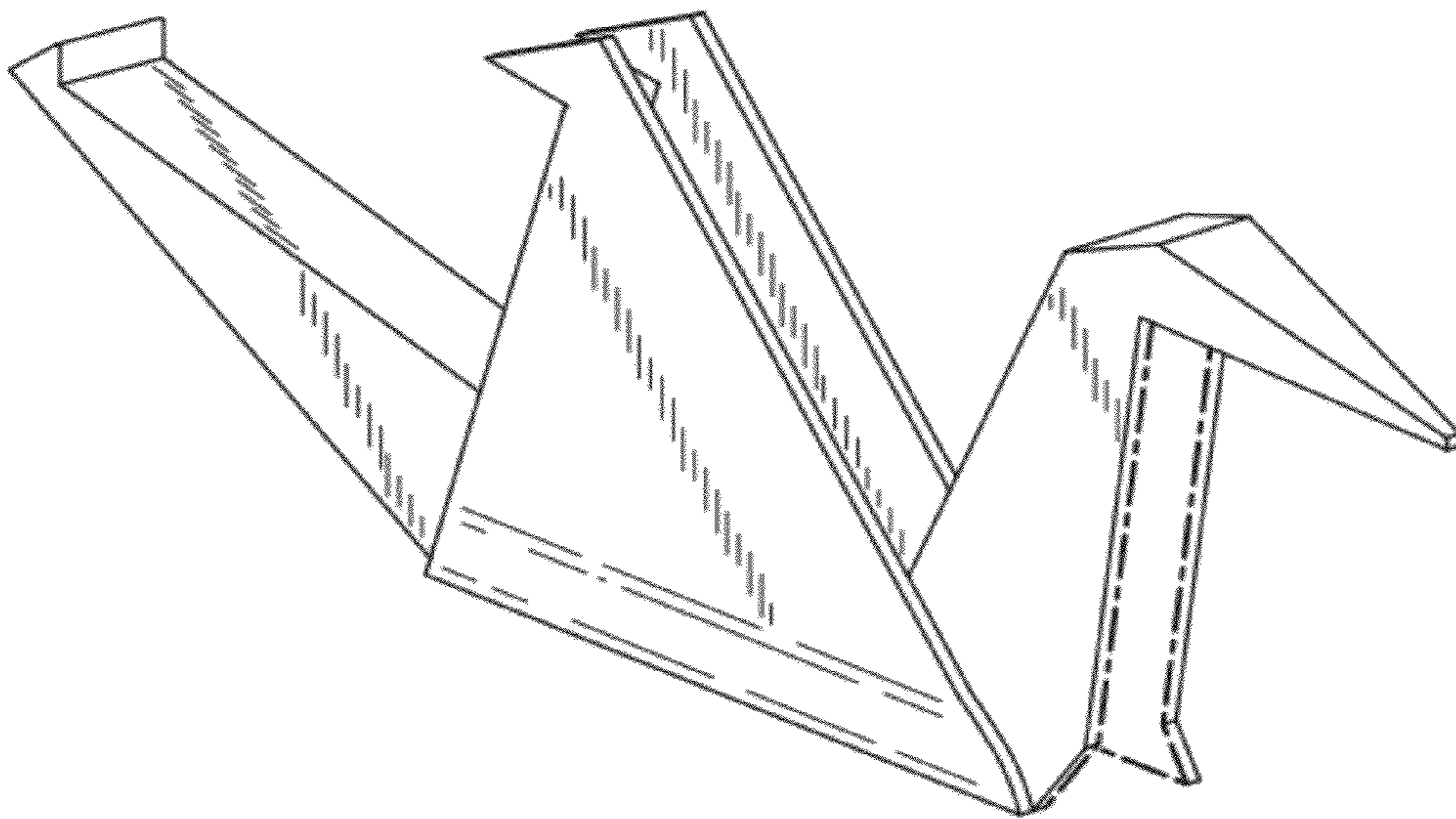


FIG. 1

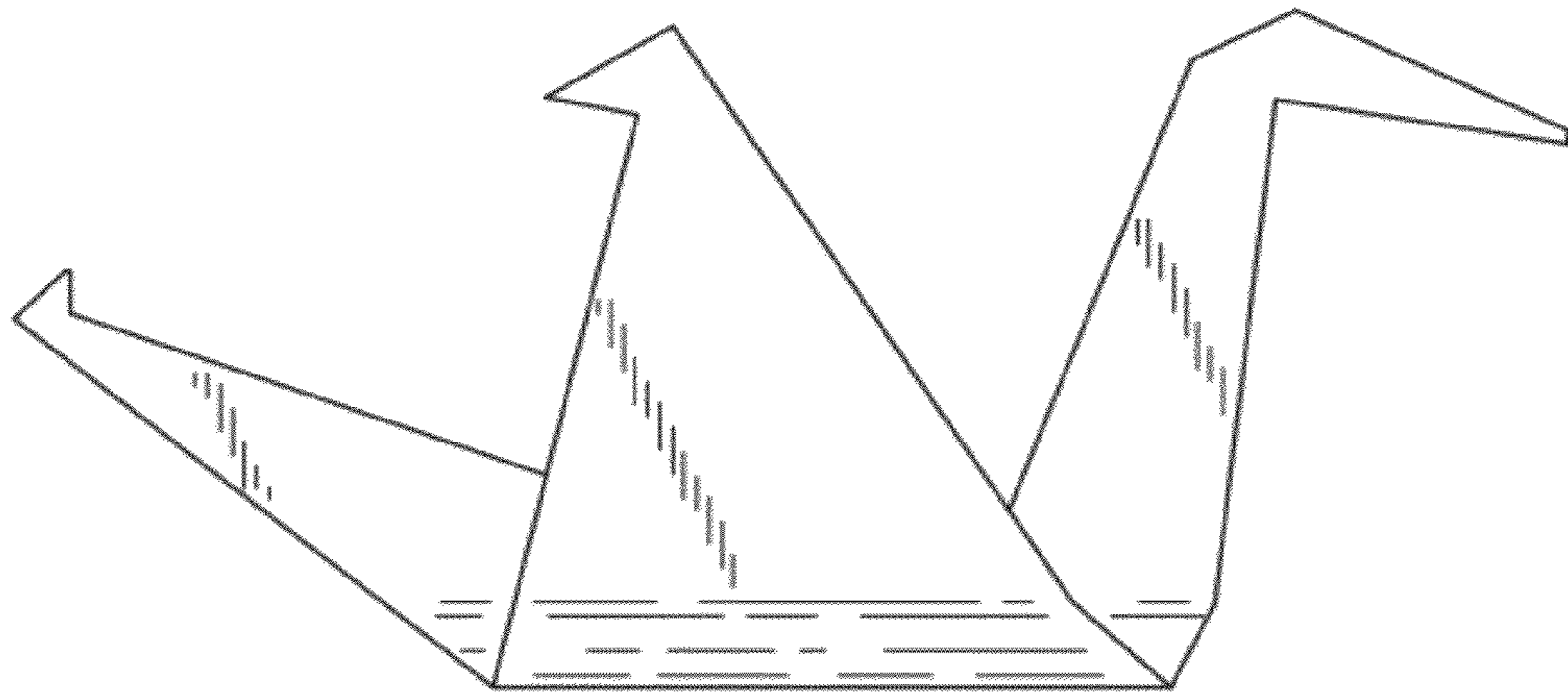


FIG. 2

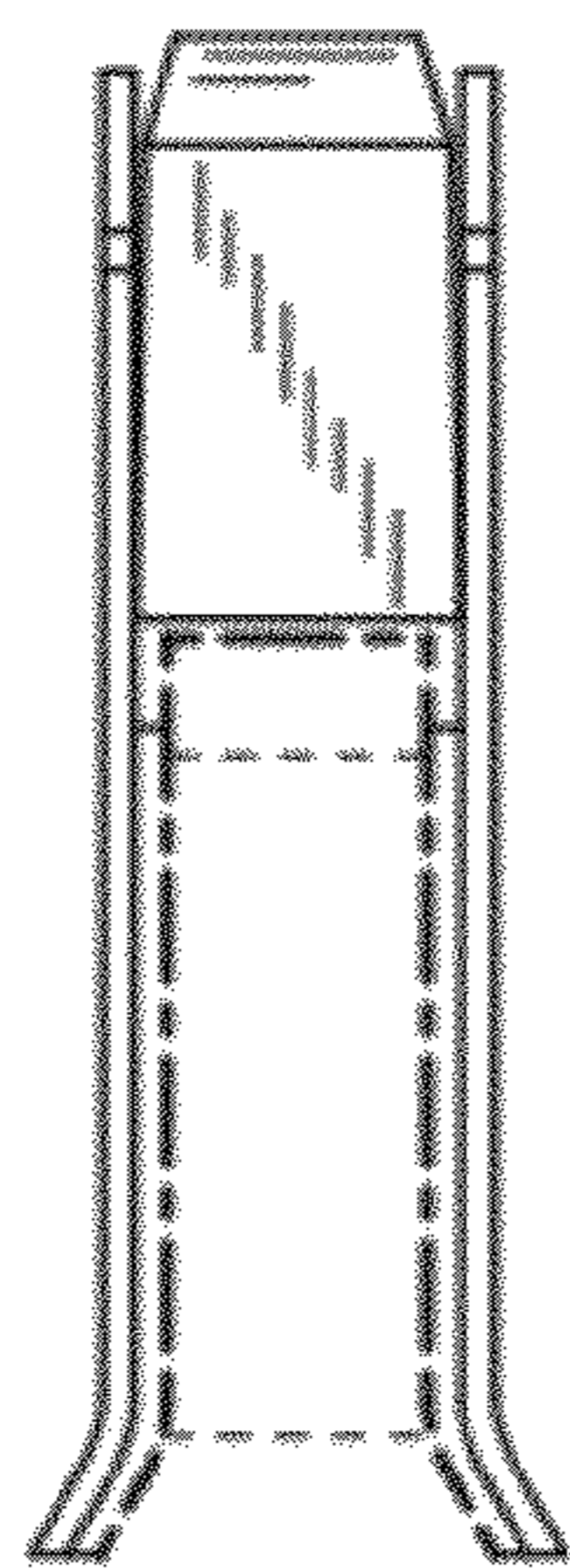


FIG. 3

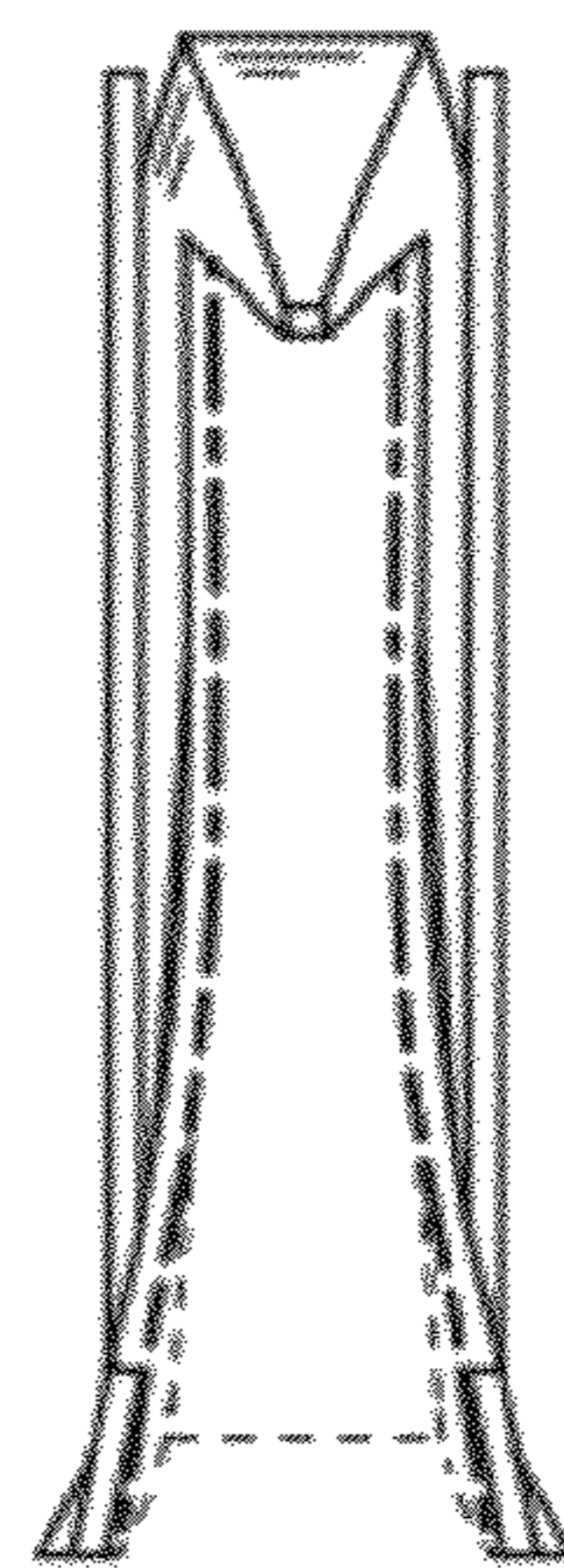


FIG. 4

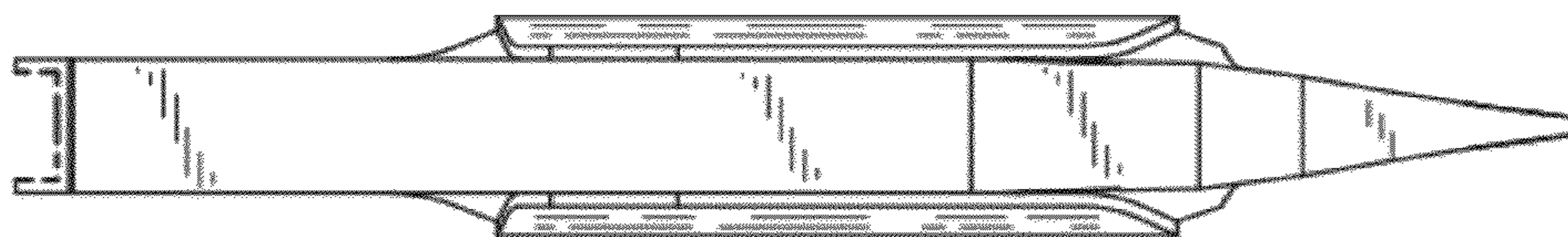


FIG. 5

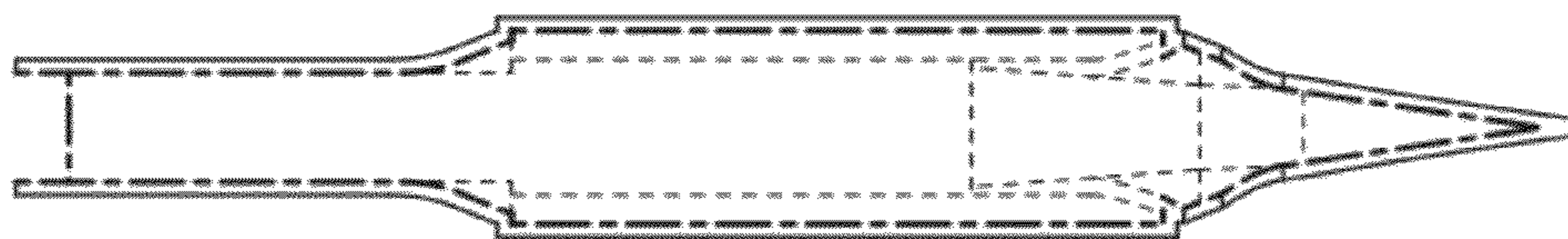


FIG. 6

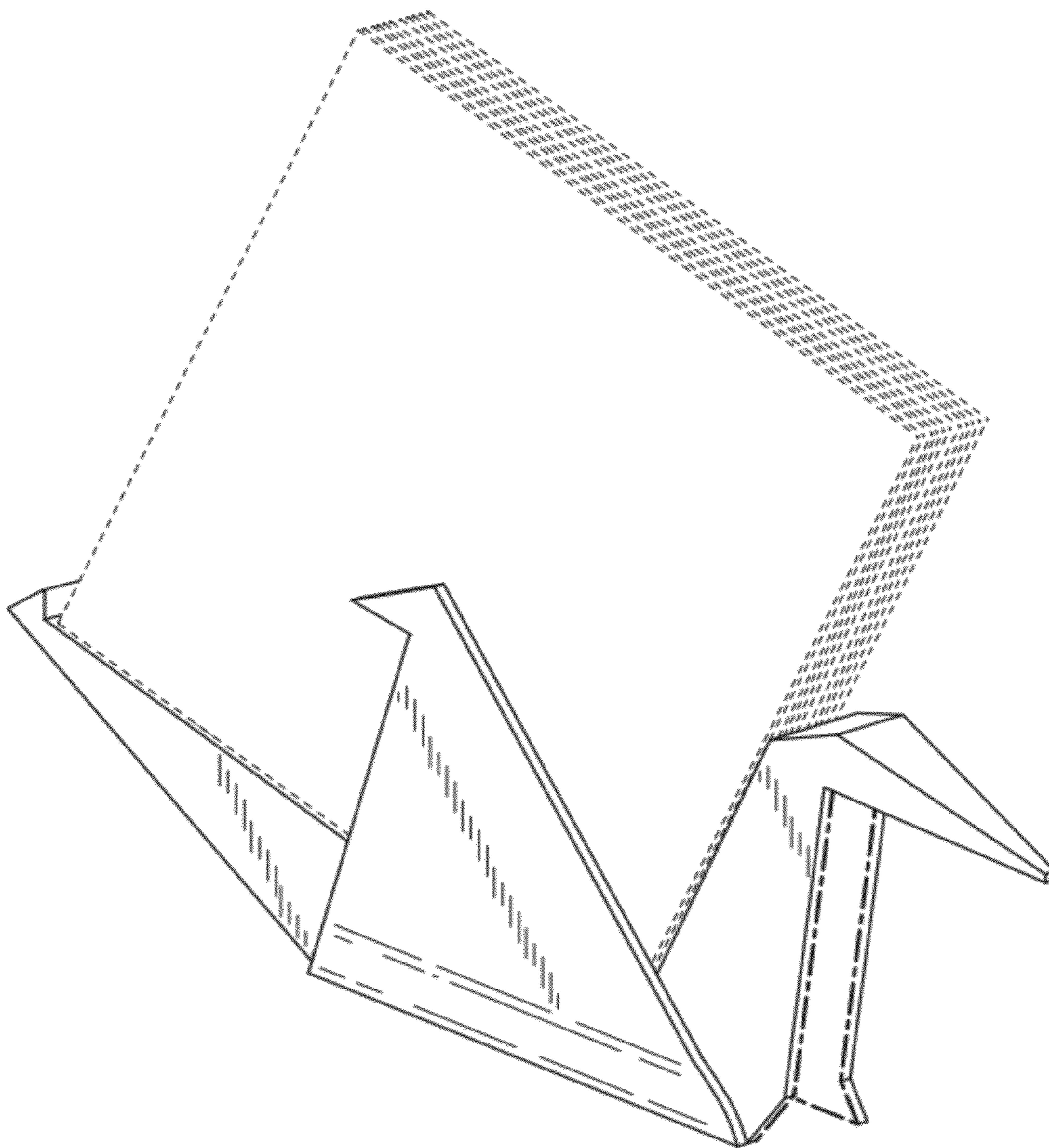


FIG. 7