



US00D671792S

(12) **United States Design Patent**  
**Sambonet**

(10) **Patent No.:** **US D671,792 S**

(45) **Date of Patent:** **\*\* Dec. 4, 2012**

(54) **HEATING PLATE**

(75) Inventor: **Sergio Sambonet**, Vercelli (IT)

(73) Assignee: **La Tavola S.r.l**, Vercelli (VC) (IT)

(\*\*) Term: **14 Years**

(21) Appl. No.: **29/406,835**

(22) Filed: **Nov. 18, 2011**

(30) **Foreign Application Priority Data**

May 20, 2011 (EM) ..... 001866898

(51) **LOC (9) Cl.** ..... **07-02**

(52) **U.S. Cl.** ..... **D7/367**

(58) **Field of Classification Search** ..... D7/323,  
D7/329-331, 337, 339, 346-347, 350.1-350.4,  
D7/352-367, 391, 393, 395, 402, 409, 538,  
D7/542; 99/324-325, 331-332, 337-340,  
99/349, 369, 372, 378, 400-422, 425, 444-446,  
99/451; 126/37 R, 261, 378.1; 206/501-505,  
206/507-508; 219/386, 400, 405, 429-442,  
219/450.1, 620-624, 725, 730-735; 220/315,  
220/573.1-573.5, 912; 426/438, 441  
See application file for complete search history.

(56) **References Cited**

**U.S. PATENT DOCUMENTS**

D161,035 S \* 11/1950 McCarron ..... D7/352  
D187,835 S \* 5/1960 Lee ..... D7/360

D250,627 S \* 12/1978 McNair et al. .... D7/363  
D289,130 S \* 4/1987 Rengeji et al. .... D7/363  
D289,847 S \* 5/1987 Okamoto et al. .... D7/363  
D297,701 S \* 9/1988 Nakagawa et al. .... D7/363  
D335,240 S \* 5/1993 Critchfield et al. .... D7/364  
5,255,595 A \* 10/1993 Higgins ..... 99/378  
D341,987 S \* 12/1993 Erickson ..... D7/323  
5,280,152 A \* 1/1994 Lee ..... 219/622  
5,687,642 A \* 11/1997 Chao ..... 99/451  
D438,423 S \* 3/2001 Bassill et al. .... D7/367  
D501,117 S \* 1/2005 Bassill ..... D7/367

\* cited by examiner

*Primary Examiner* — Ricky Pham

(74) *Attorney, Agent, or Firm* — Hedman & Costigan, P.C.;  
James V. Costigan

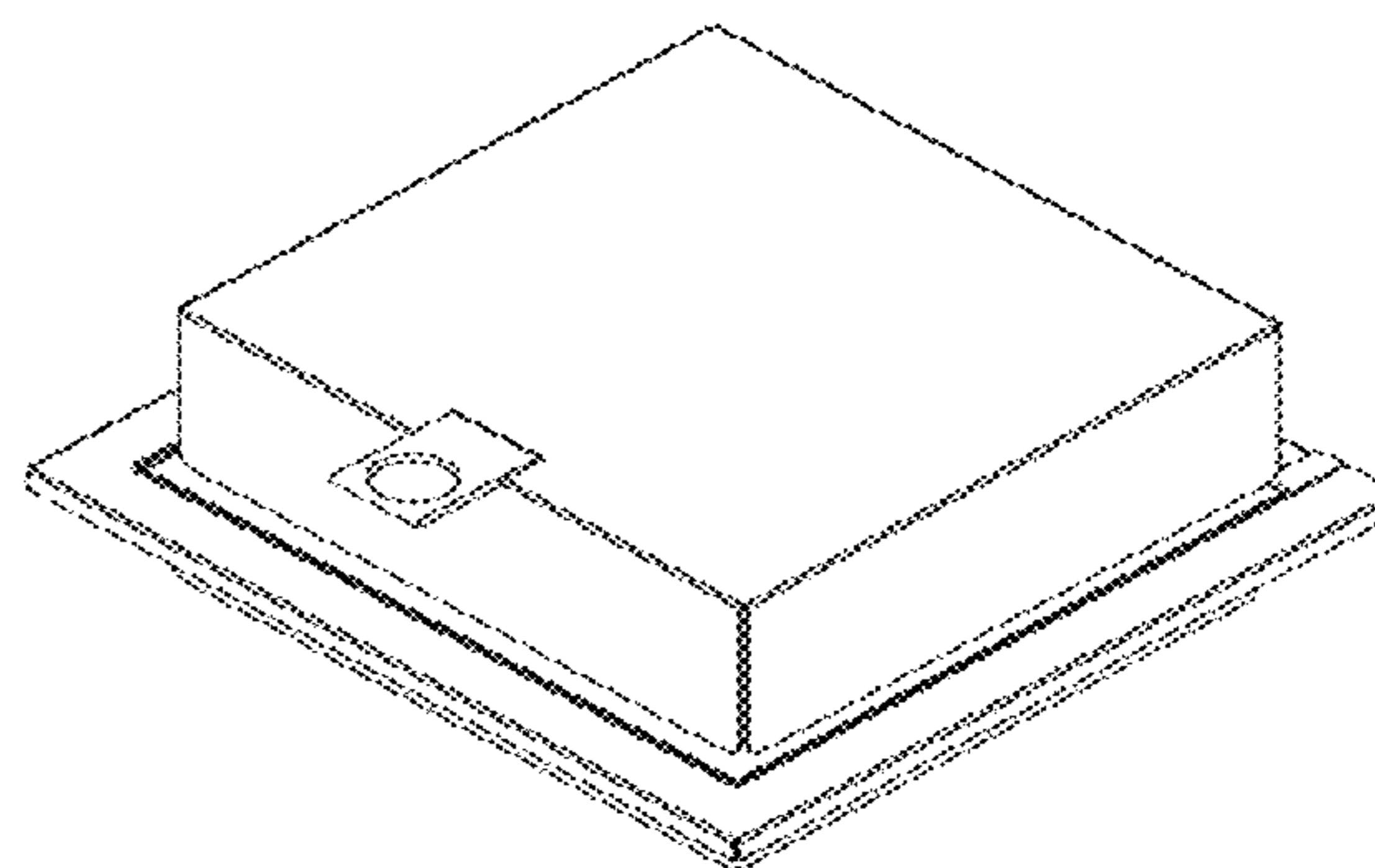
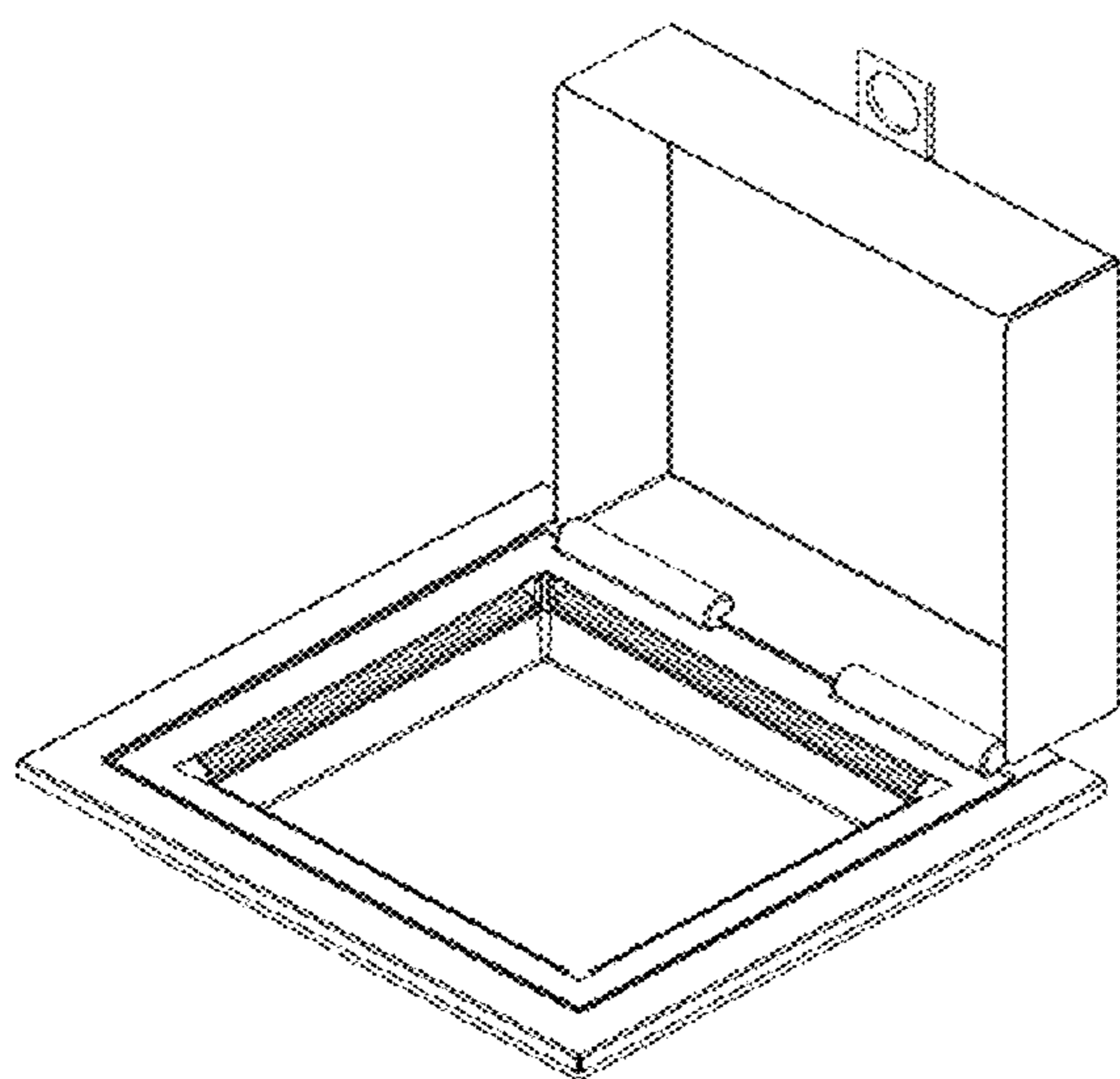
(57) **CLAIM**

The ornamental design for a heating plate, as shown and described.

**DESCRIPTION**

FIG. 1 is a top view of the heating plate;  
FIG. 2 is a front view thereof;  
FIG. 3 is a rear view thereof;  
FIG. 4 is a left side view thereof;  
FIG. 5 is a right side view thereof;  
FIG. 6 is a bottom view thereof;  
FIG. 7 is a left side, perspective view thereof, with the lid shown in the open position; and,  
FIG. 8 is a left side, perspective view thereof, with the lid shown in the closed position.

**1 Claim, 8 Drawing Sheets**



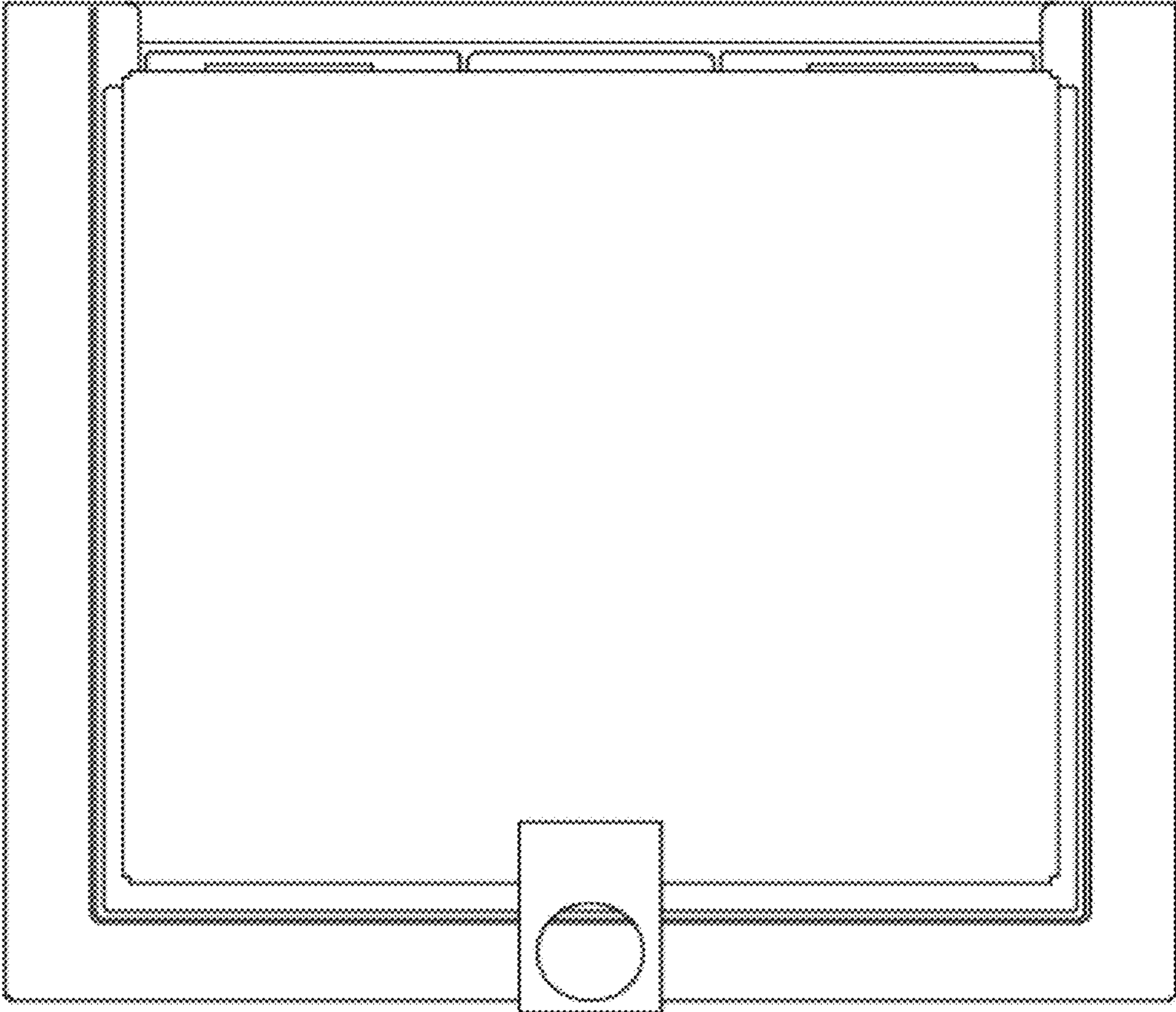


FIG. 1

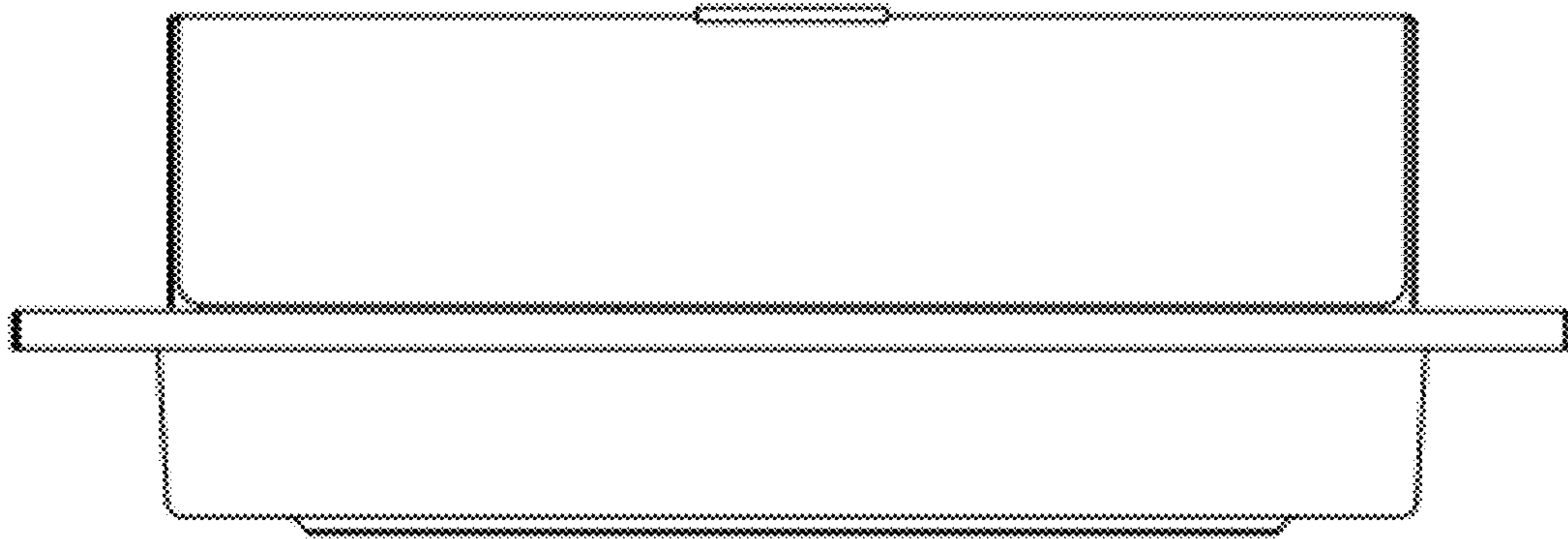


FIG. 2

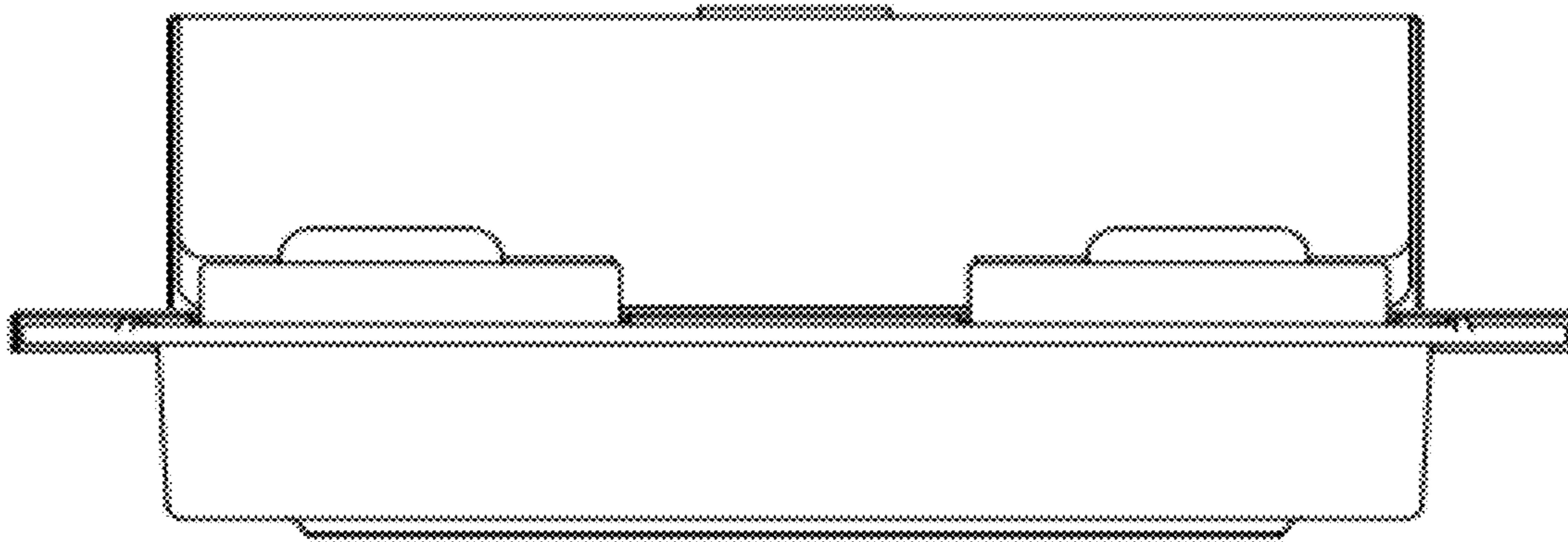


FIG. 3

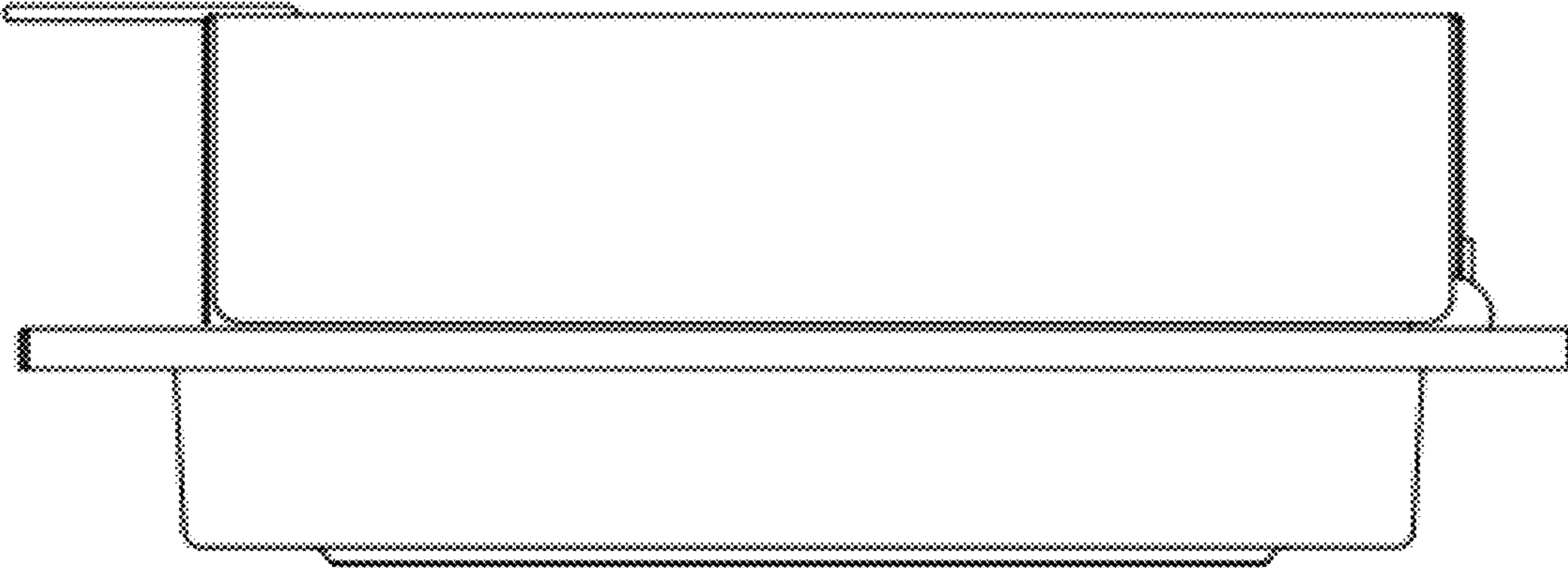


FIG. 4

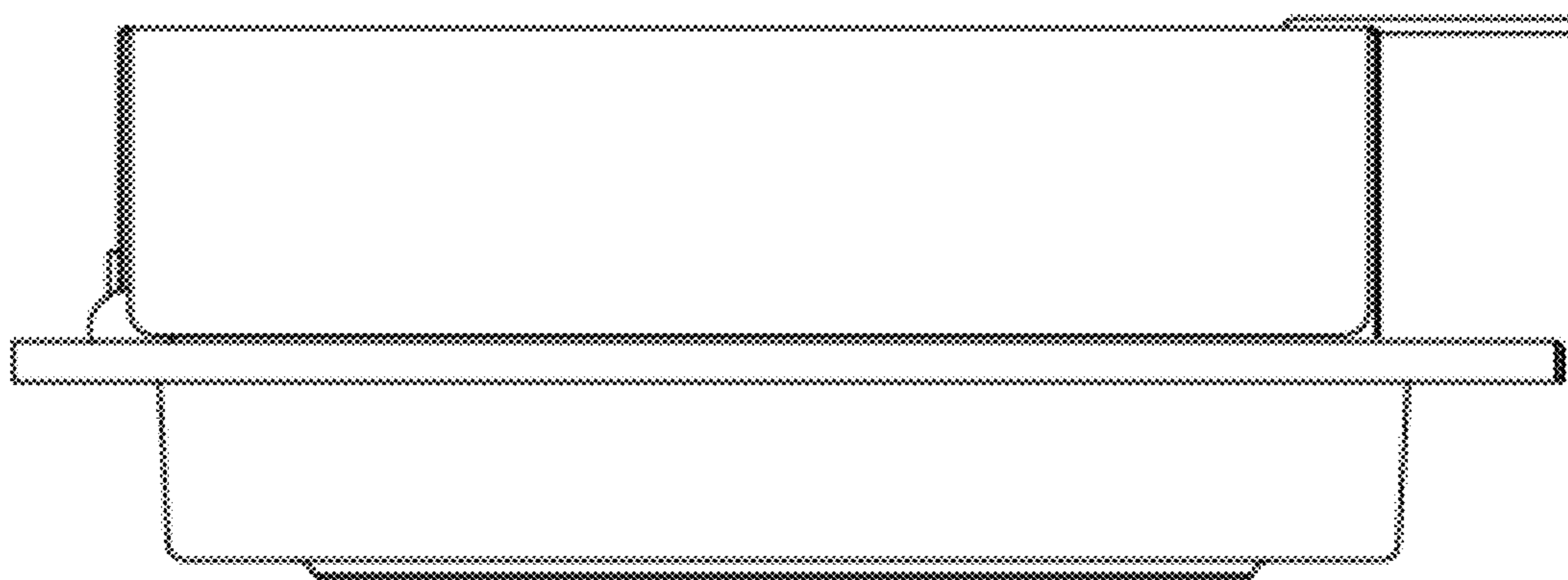


FIG. 5

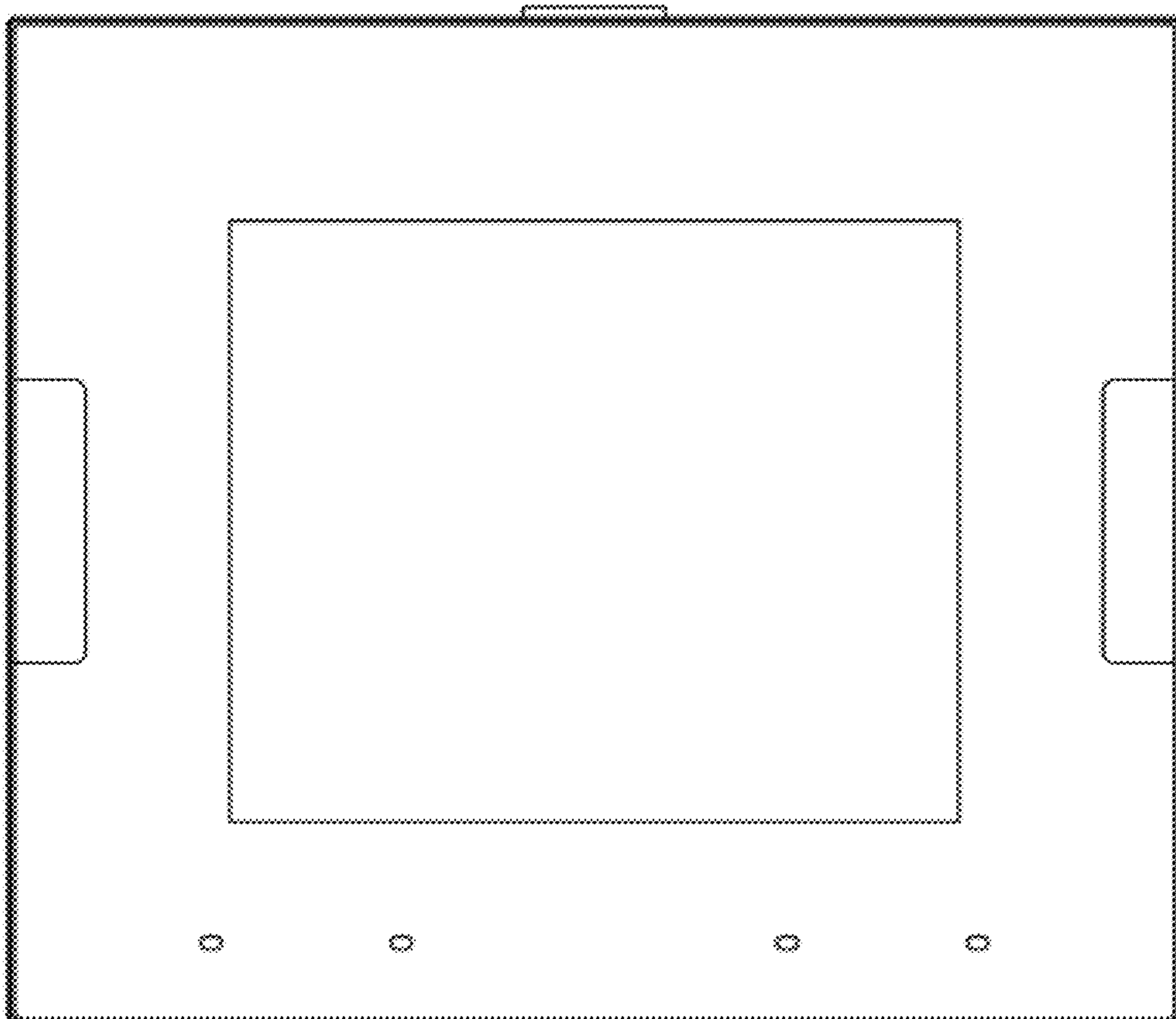


FIG. 6



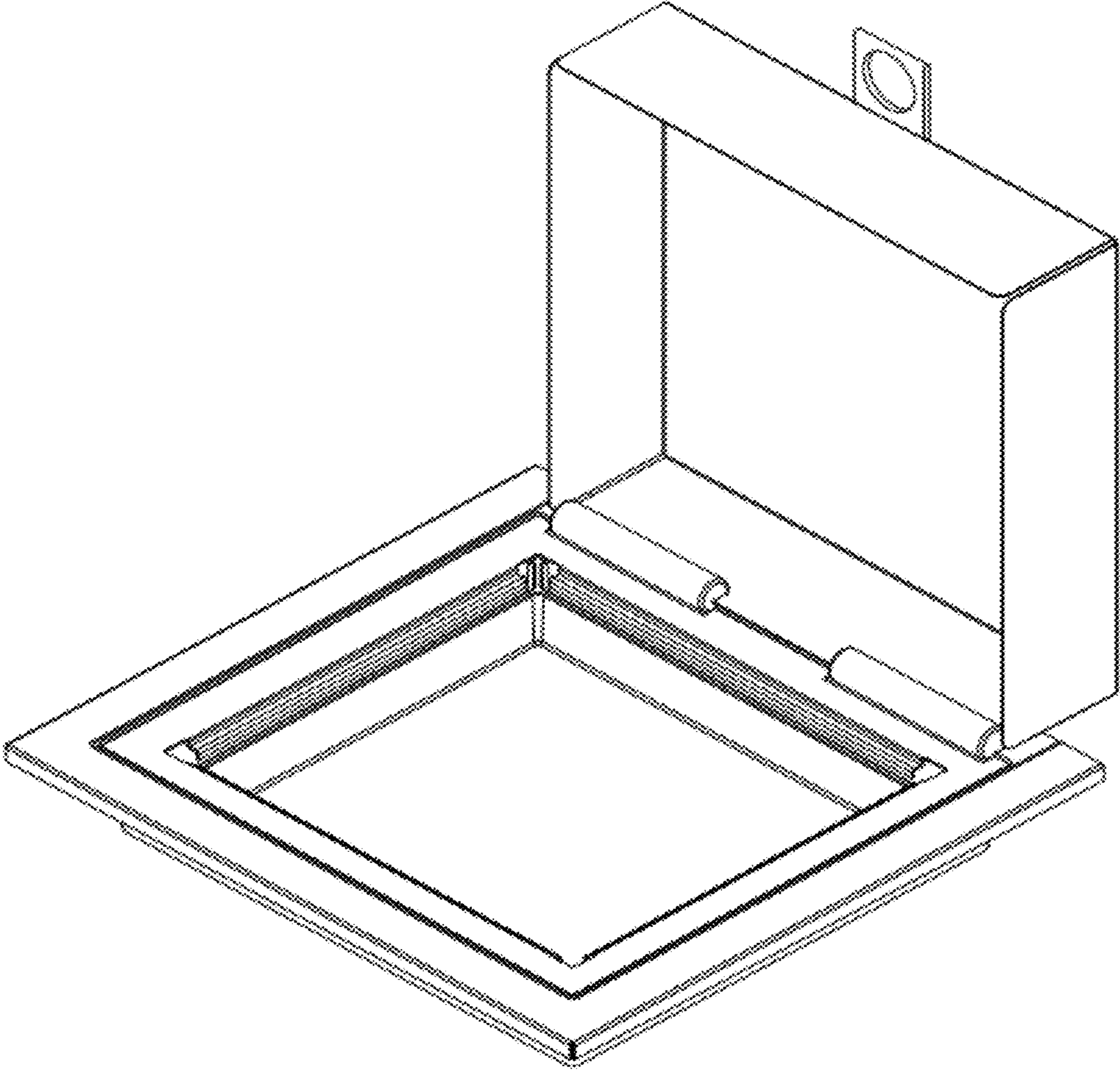


FIG. 7



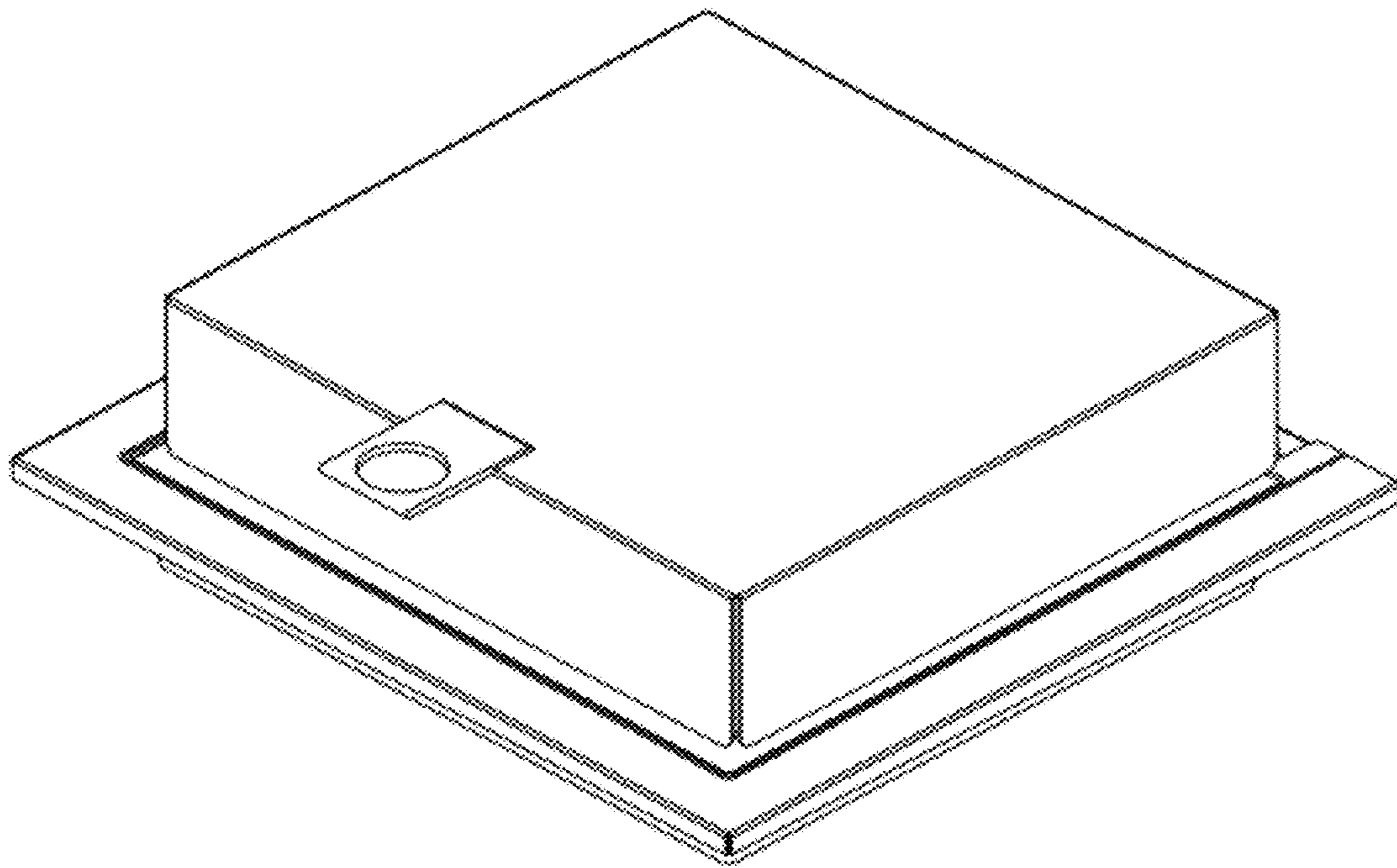


FIG. 8