



US00D671791S

(12) **United States Design Patent**
Cesaroni et al.

(10) **Patent No.:** **US D671,791 S**
(45) **Date of Patent:** **** Dec. 4, 2012**

(54) **GRILL**

(75) Inventors: **William Cesare Cesaroni**, Glenview, IL
(US); **Morad Ghassemian**, Oak Park, IL
(US)

(73) Assignee: **Conair Corporation**, Stamford, CT
(US)

(**) Term: **14 Years**

(21) Appl. No.: **29/414,950**

(22) Filed: **Mar. 6, 2012**

(51) **LOC (9) Cl.** **07-02**

(52) **U.S. Cl.** **D7/352; D7/362; D7/363**

(58) **Field of Classification Search** D7/323,
D7/329-331, 337, 339, 346-347, 350.1-350.4,
D7/352-367, 391, 393, 395, 402, 409, 538,
D7/542; 99/324-325, 331-332, 337-340,
99/349, 369, 372, 389, 400-418, 422, 425,
99/444-446, 483; 126/37 R, 261, 378.1;
206/501-505, 507-508; 219/386, 400, 405,
219/429-442, 450.1, 620-624, 725, 730-735;
220/315, 573.1-573.5, 912; 426/438, 441
See application file for complete search history.

(56) **References Cited**

U.S. PATENT DOCUMENTS

D507,929 S * 8/2005 Steinberg et al. D7/352
D527,941 S * 9/2006 Serra D7/352

7,109,442 B2 * 9/2006 Steinberg et al. 219/386
D532,646 S * 11/2006 Moore D7/352
D541,581 S * 5/2007 Moore D7/352
D546,619 S * 7/2007 McHutchison et al. D7/352
D568,090 S * 5/2008 Lam D7/352
D581,202 S * 11/2008 Tetreault et al. D7/352
D591,550 S * 5/2009 Lam D7/337
D622,538 S * 8/2010 Hoare et al. D7/352
D644,477 S * 9/2011 Burton et al. D7/362
2005/0139086 A1 * 6/2005 McHutchison 99/389
2007/0017384 A1 * 1/2007 Serra 99/372

* cited by examiner

Primary Examiner — Ricky Pham

(74) *Attorney, Agent, or Firm* — McCormick, Paulding &
Huber LLP

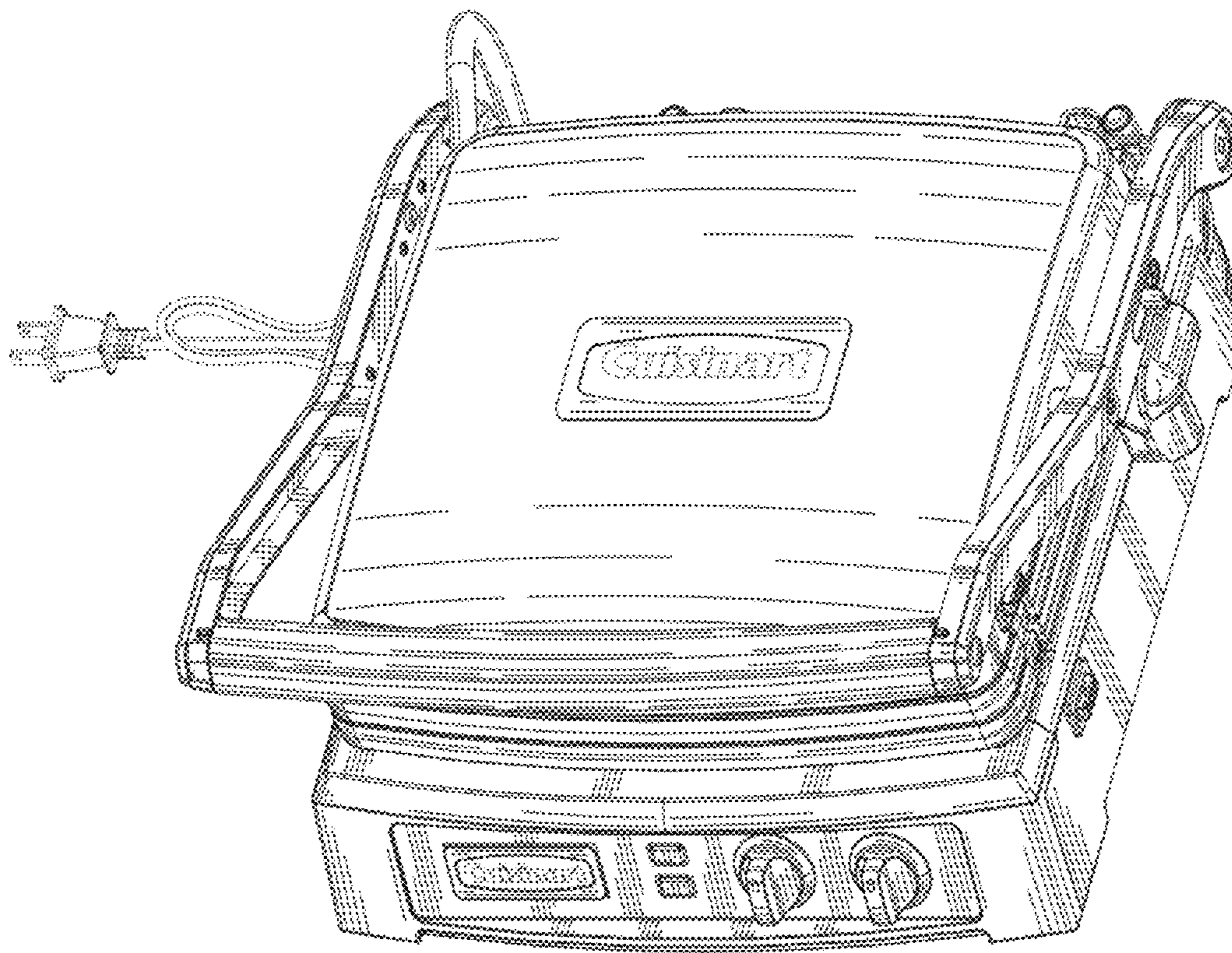
(57) **CLAIM**

The ornamental design for a grill, as shown and described.

DESCRIPTION

FIG. 1 is a perspective view of a grill showing a new design;
FIG. 2 is a front elevational view thereof;
FIG. 3 is a rear elevational view thereof;
FIG. 4 is a left side elevational view thereof;
FIG. 5 is a right side elevational view thereof;
FIG. 6 is a top plan view thereof; and,
FIG. 7 is bottom plan view thereof.
The broken lines are for illustrative purposes only and form
no part of the claimed design.

1 Claim, 7 Drawing Sheets



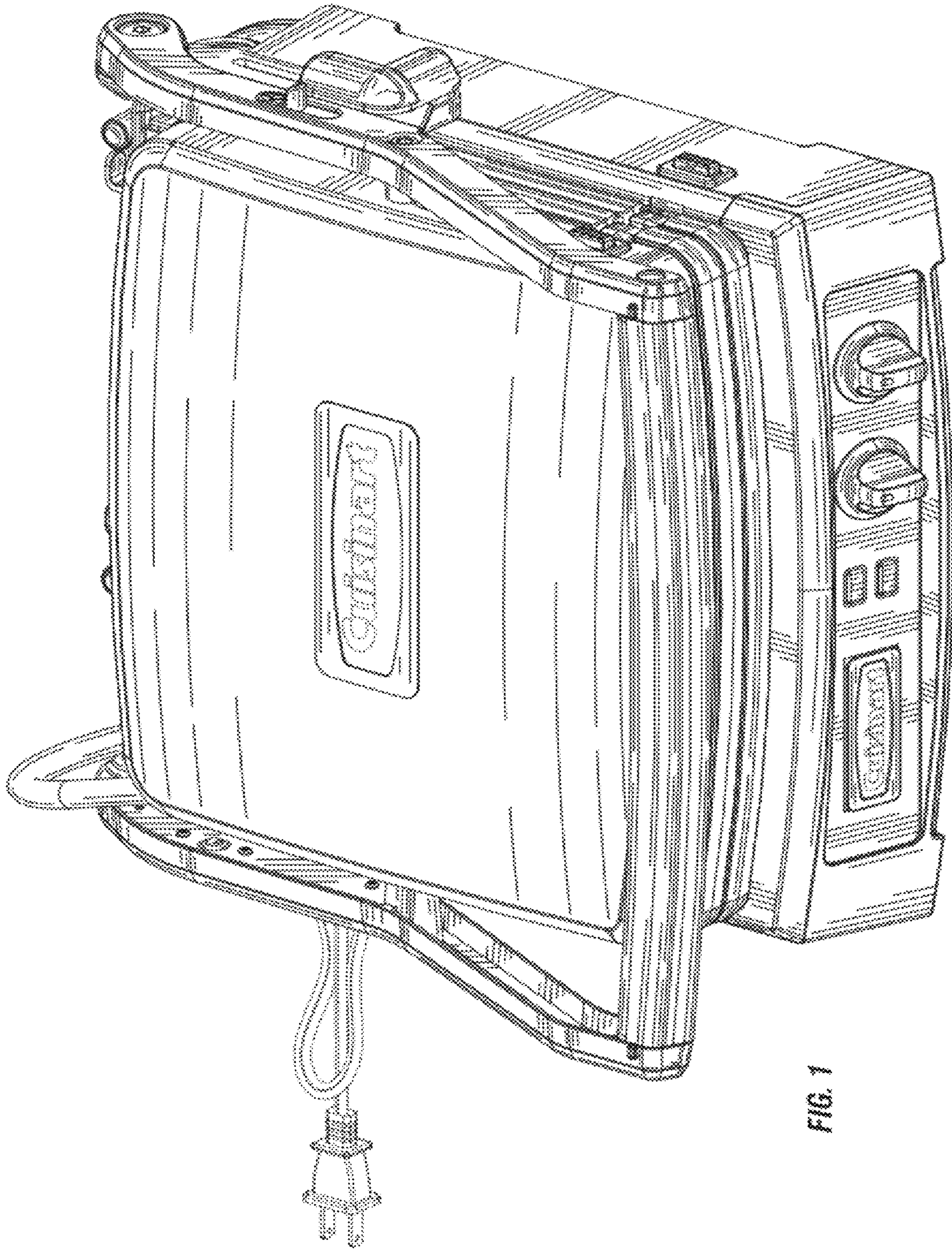


FIG. 1

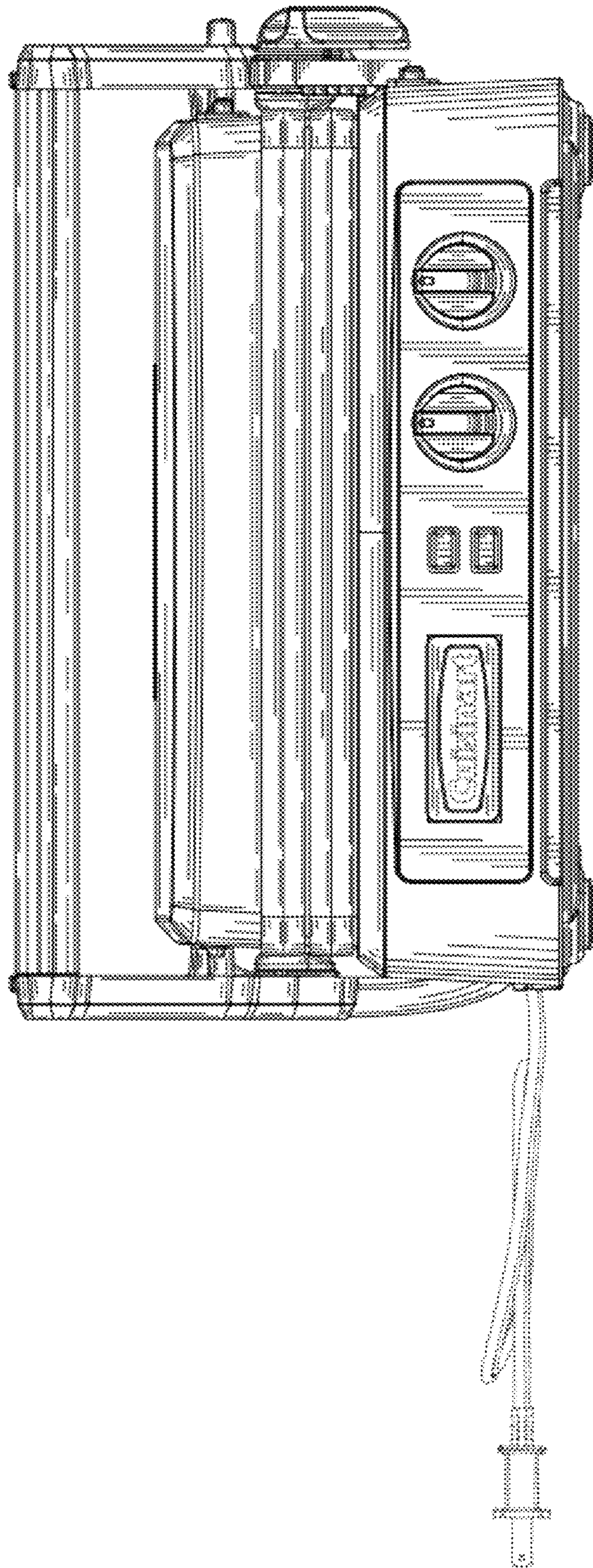


FIG. 2

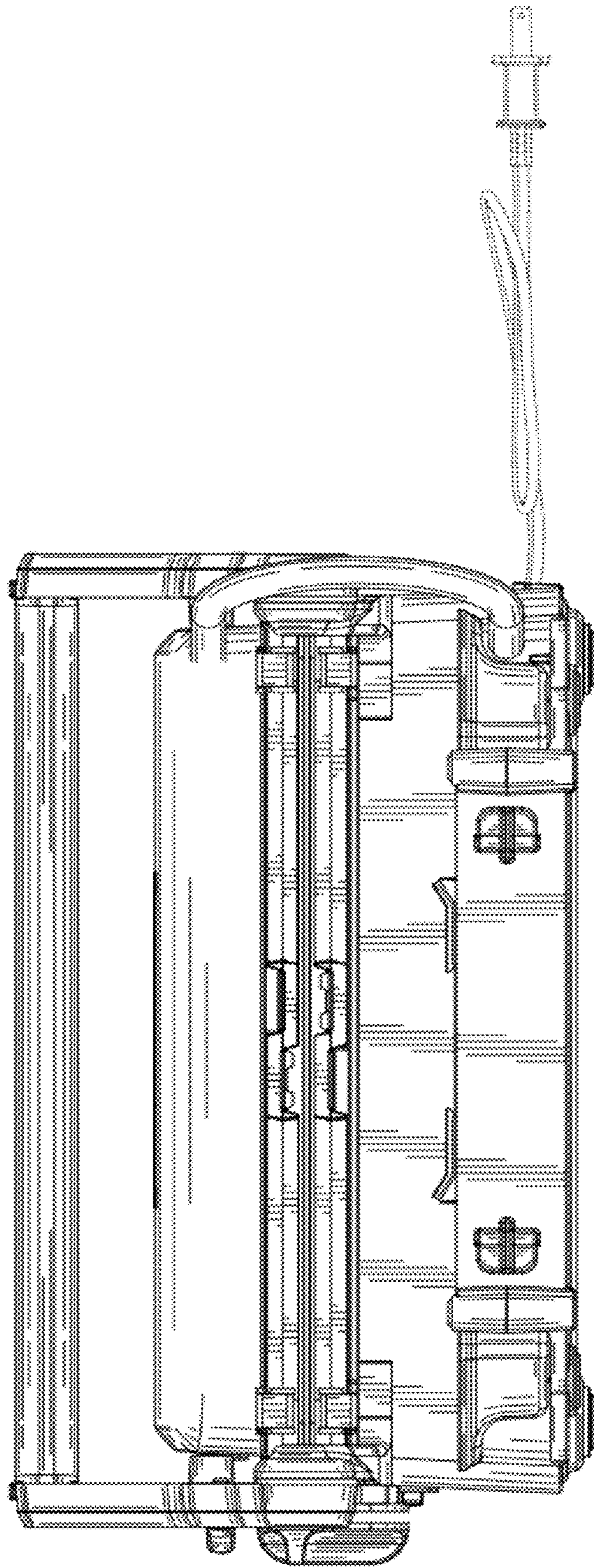


FIG. 3

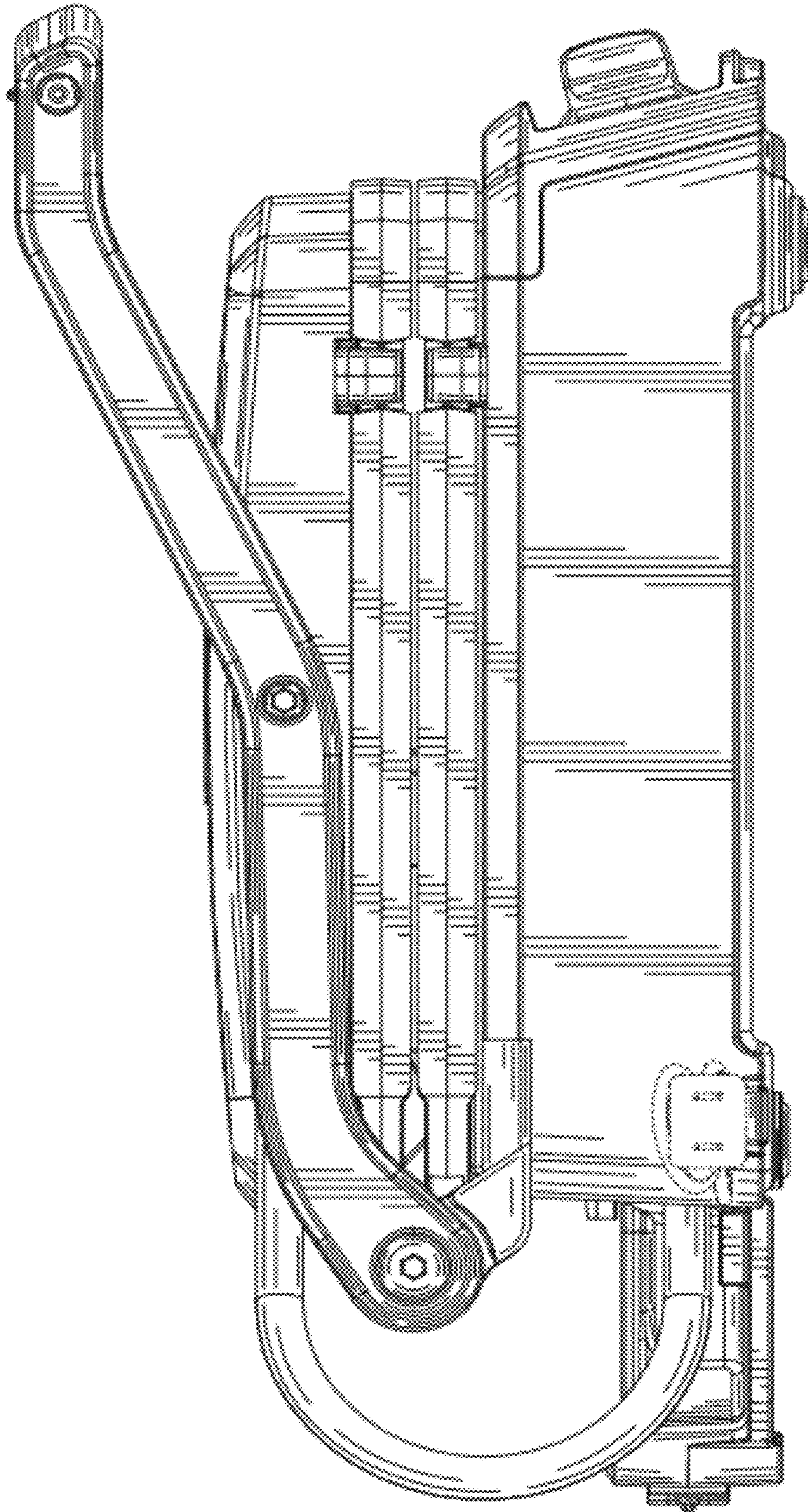


FIG. 4

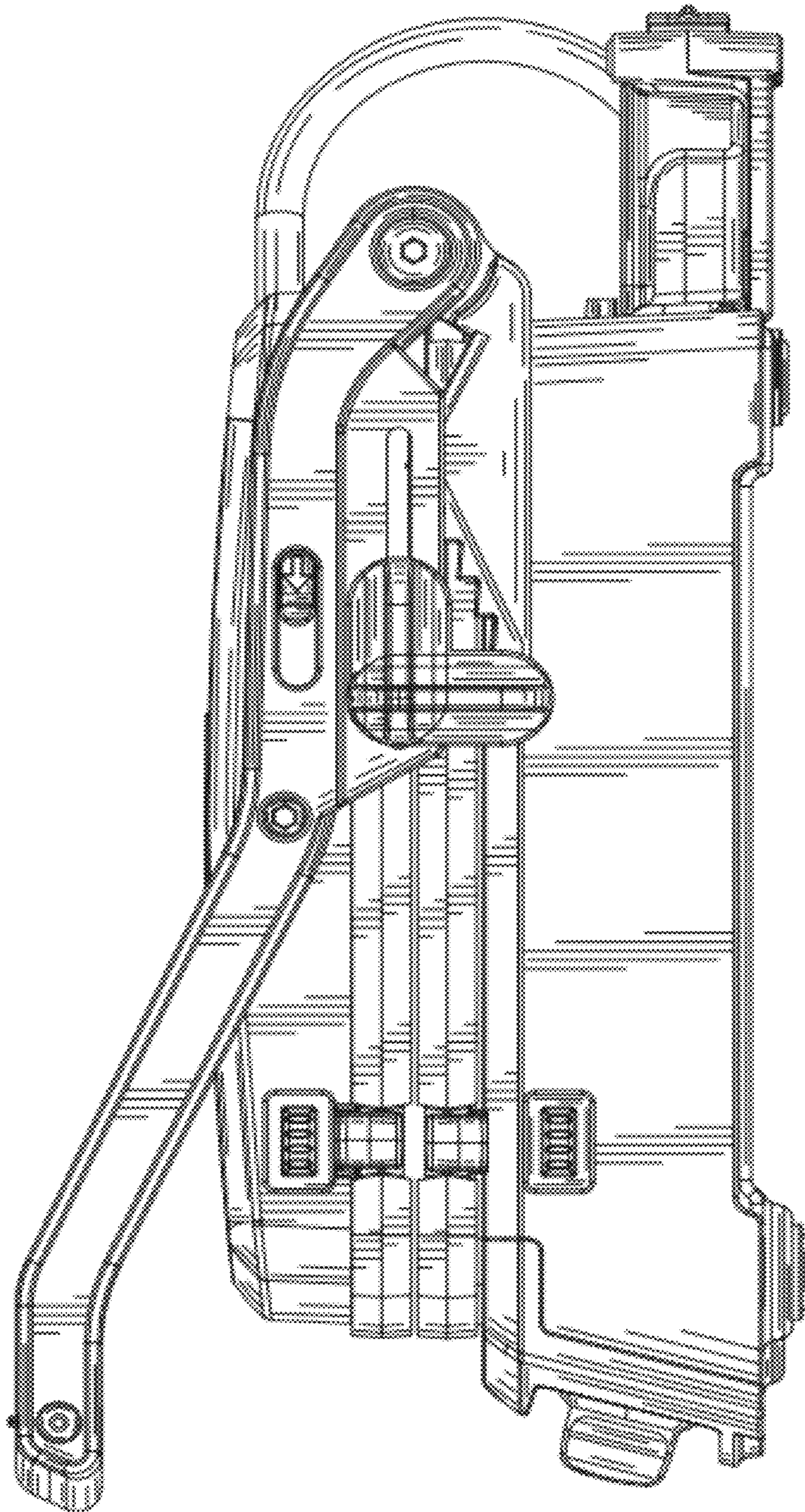


FIG. 5

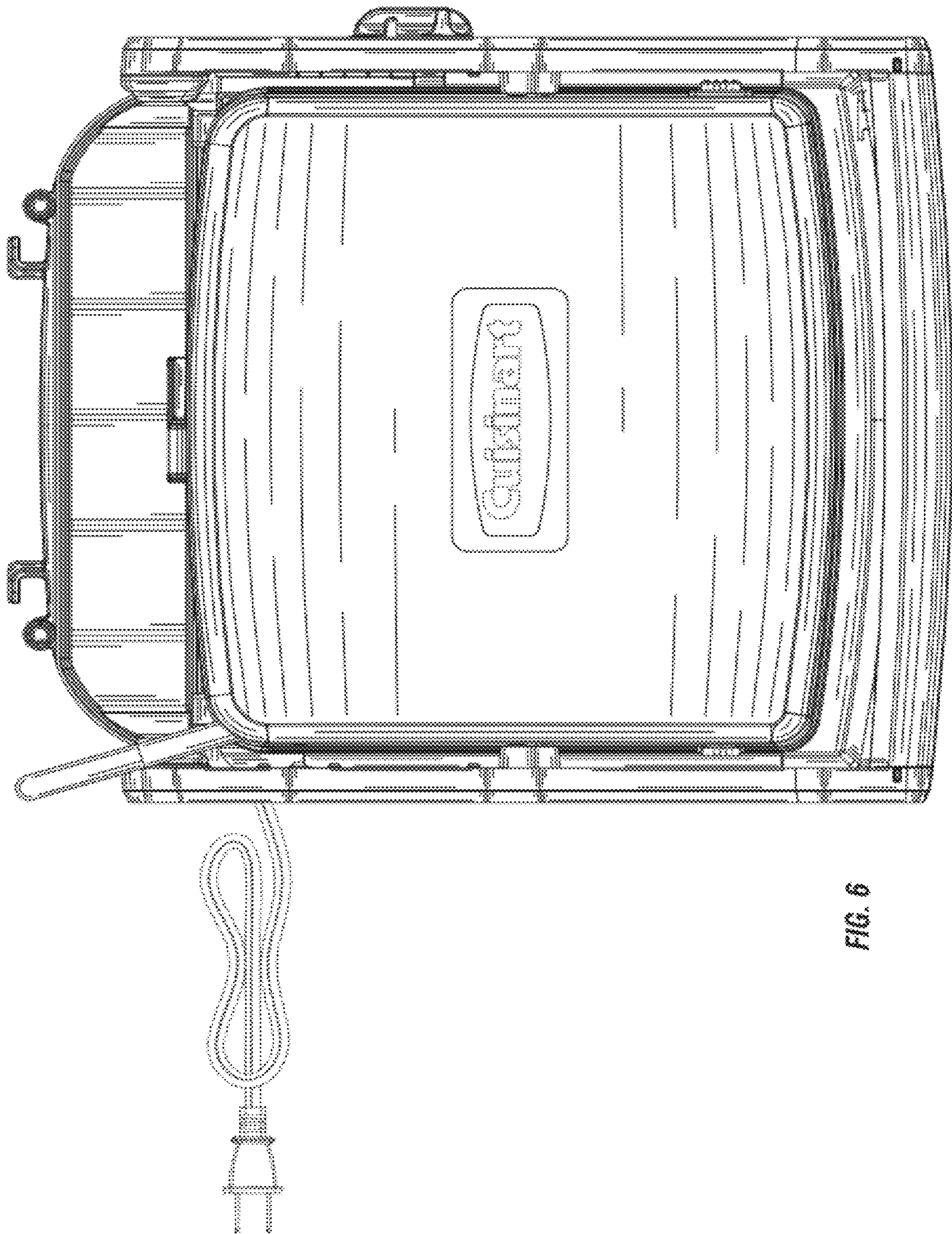


FIG. 6

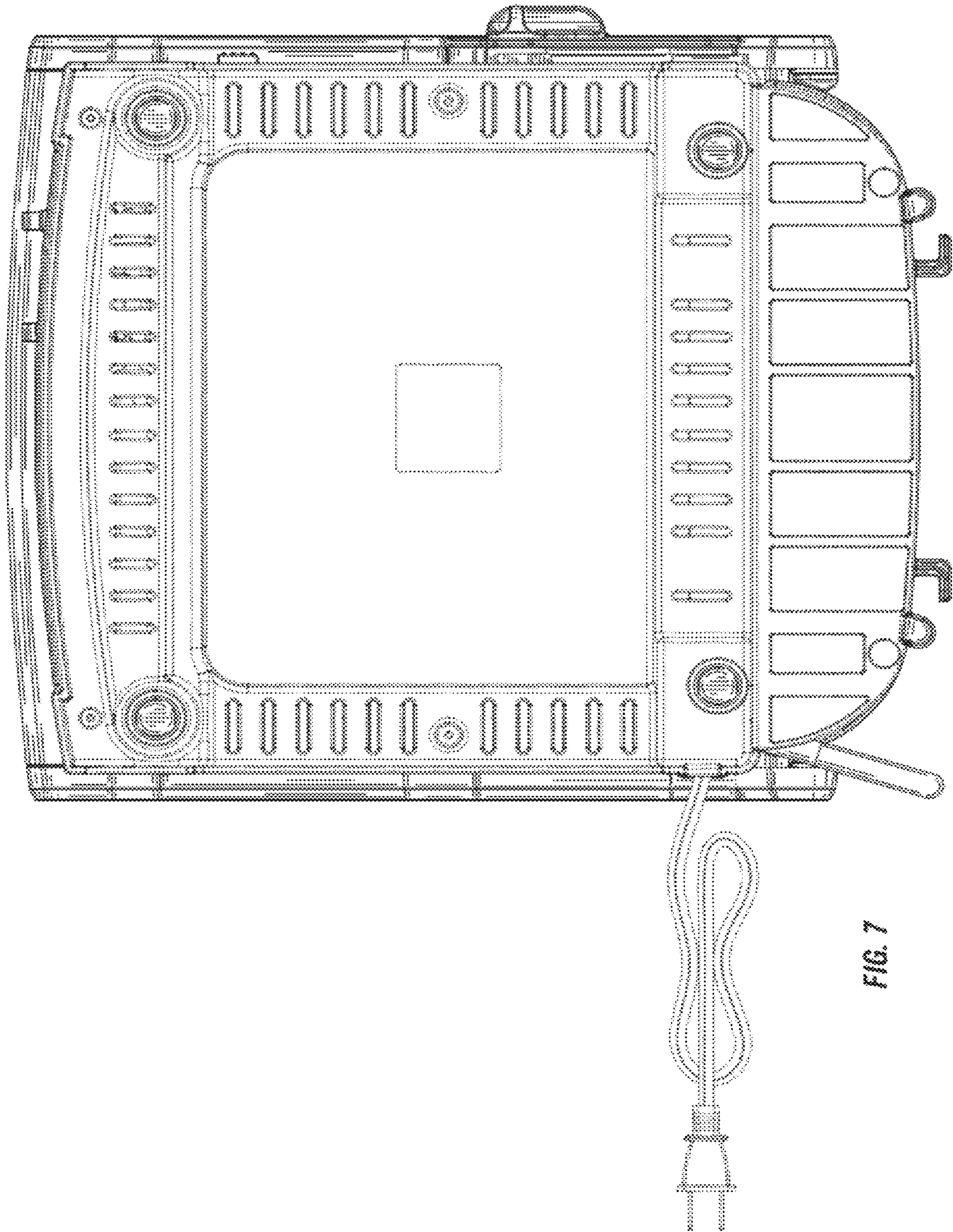


FIG. 7