



US00D671789S

(12) **United States Design Patent**
Goss et al.

(10) **Patent No.:** **US D671,789 S**

(45) **Date of Patent:** **** Dec. 4, 2012**

(54) **INDUCTION COOKTOP**

D464,845 S * 10/2002 Shin D7/346
D553,899 S * 10/2007 Grey et al. D7/346
D553,900 S * 10/2007 Grey et al. D7/346

(75) Inventors: **Ulrich Goss**, München (DE); **Florian Metz**, Unterföhring (DE); **Robert Sachon**, München (DE)

* cited by examiner

(73) Assignee: **BSH Bosch und Siemens Hausgeraete GmbH**, Munich (DE)

Primary Examiner — Catheri Oliver-Garcia

(74) *Attorney, Agent, or Firm* — James E. Howard; Andre Pallapies

(**) Term: **14 Years**

(57) **CLAIM**

The ornamental design for an induction cooktop, as shown and described.

(21) Appl. No.: **29/407,293**

(22) Filed: **Nov. 28, 2011**

DESCRIPTION

Related U.S. Application Data

(62) Division of application No. 29/350,273, filed on Nov. 13, 2009, now Pat. No. Des. 655,565.

(51) **LOC (9) Cl.** **07-02**

(52) **U.S. Cl.** **D7/346**

(58) **Field of Classification Search** D7/323,
D7/340-348, 404-409; 126/39 B, 211.217-218,
126/214 C, 214 R, 215-216, 152 R
See application file for complete search history.

FIG. 1 is a top perspective view of an induction cooktop showing a first embodiment of our new ornamental design; FIG. 2 is a top plan view thereof; FIG. 3 is a right side view thereof; FIG. 4 is a left side view thereof; FIG. 5 is a front view thereof; FIG. 6 is a rear view thereof; FIG. 7 is a top perspective view of an induction cooktop showing a second embodiment of our new ornamental design; FIG. 8 is a top plan view thereof; FIG. 9 is a right side view thereof; FIG. 10 is a left side view thereof; FIG. 11 is a front view thereof; and, FIG. 12 is a rear view thereof.

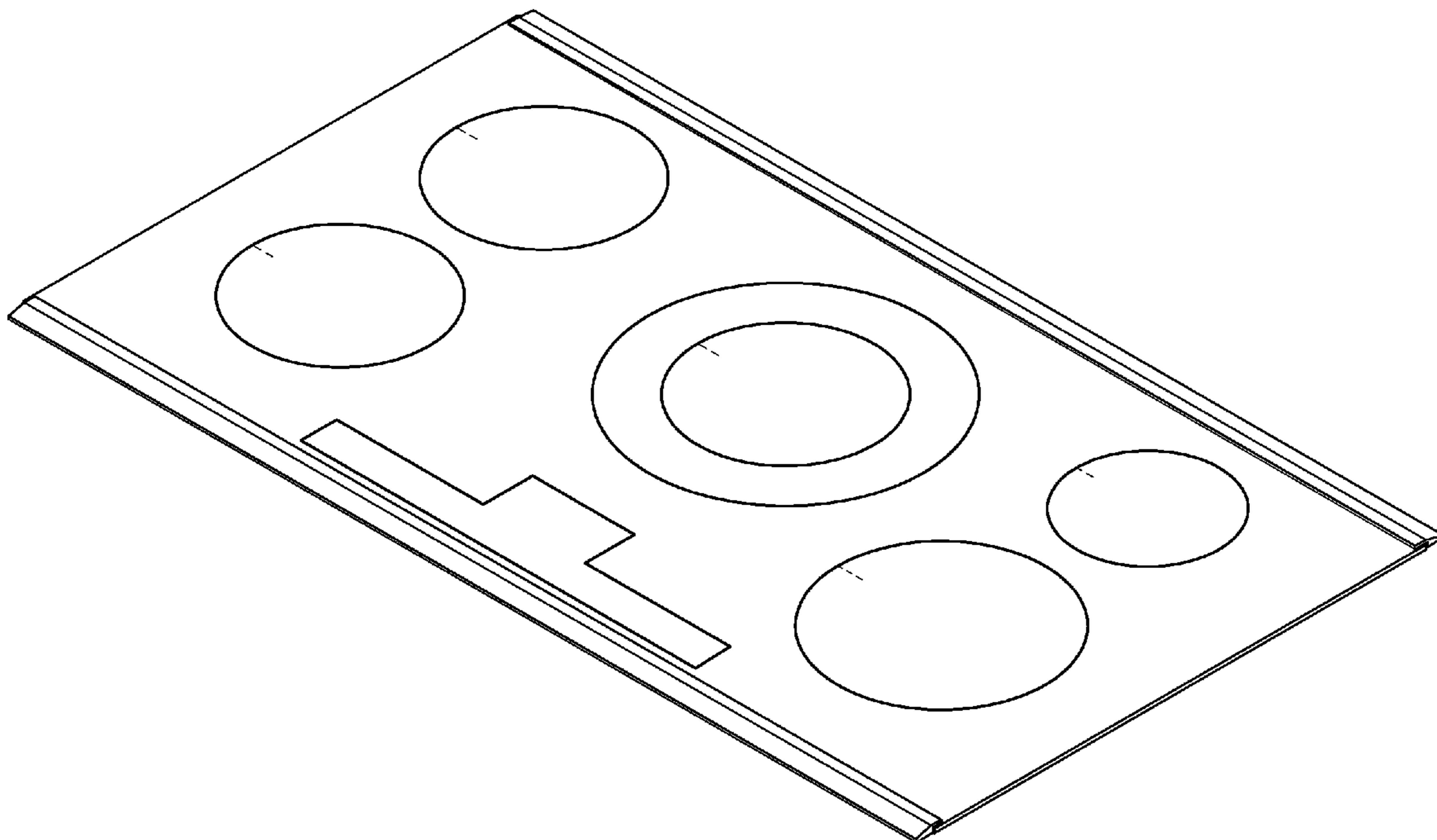
The broken lines represent unclaimed environmental structure and do not form a part of the claimed design.

(56) **References Cited**

U.S. PATENT DOCUMENTS

D396,989 S * 8/1998 Deo et al. D7/346
D450,527 S * 11/2001 Busalt D7/346
D451,332 S * 12/2001 Busalt D7/346
D462,866 S * 9/2002 Resuello et al. D7/346

1 Claim, 6 Drawing Sheets



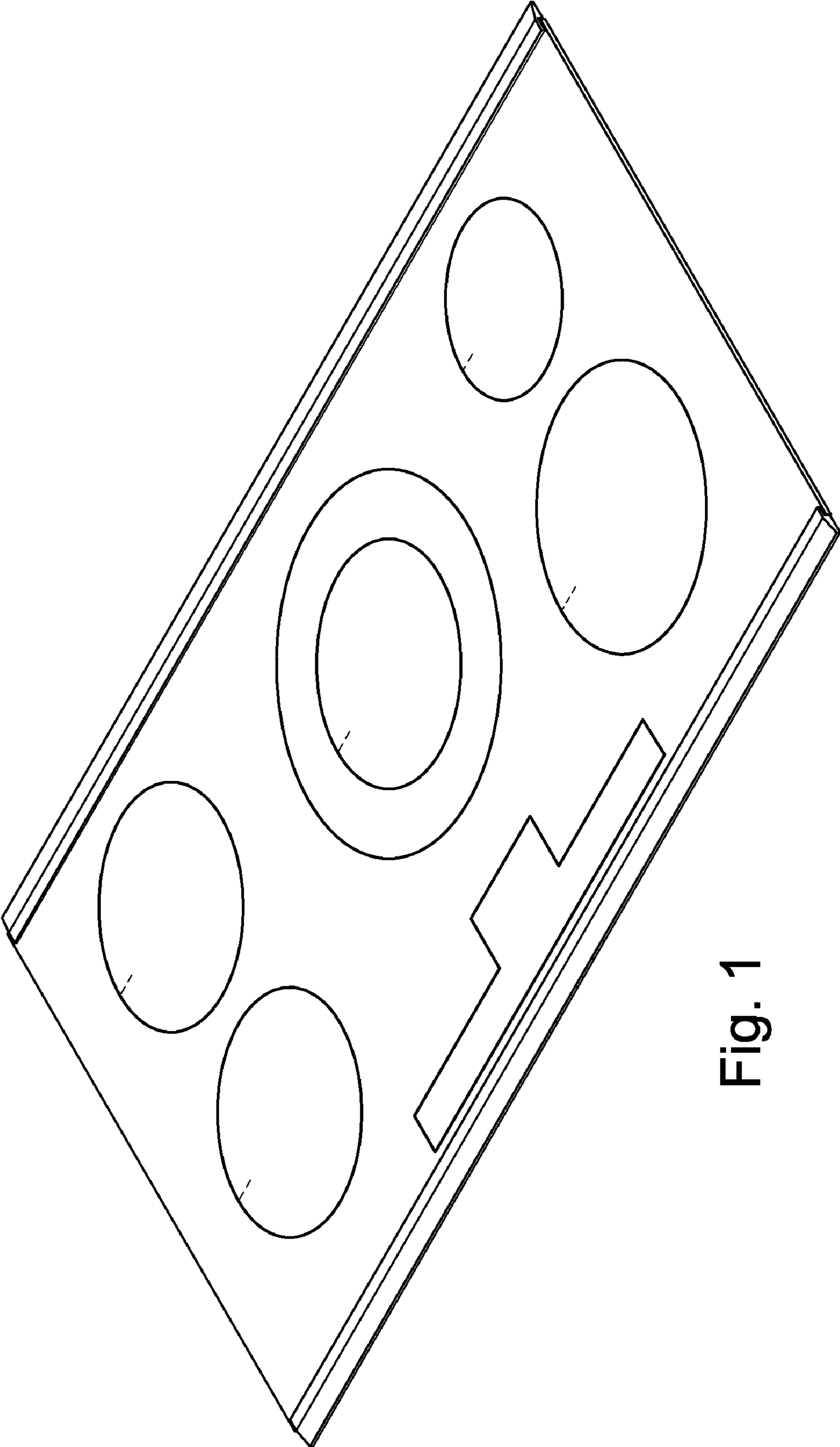


Fig. 1

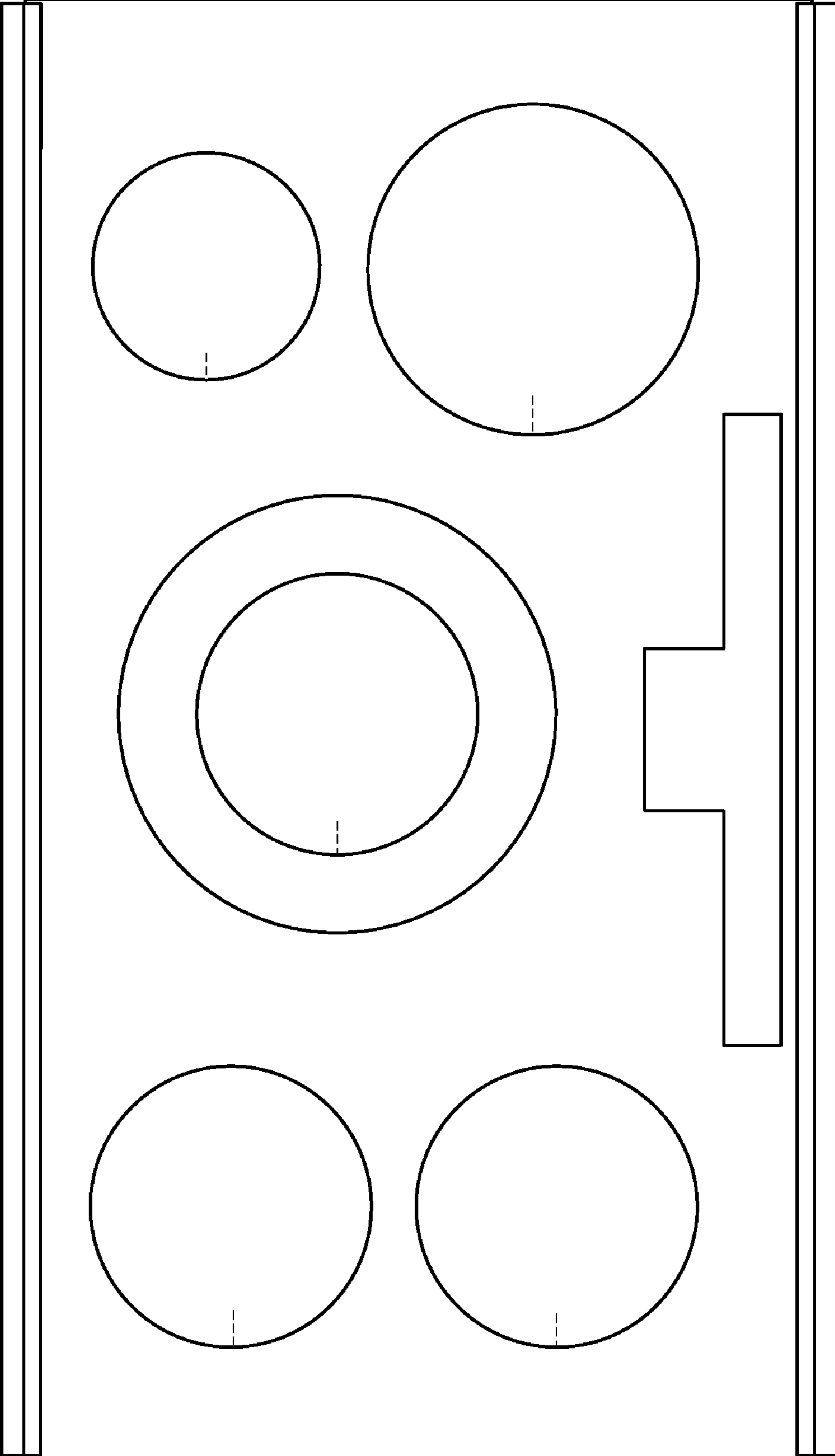


Fig. 2



Fig. 5

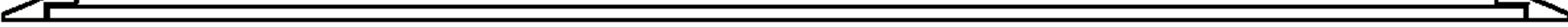


Fig. 4



Fig. 6



Fig. 3

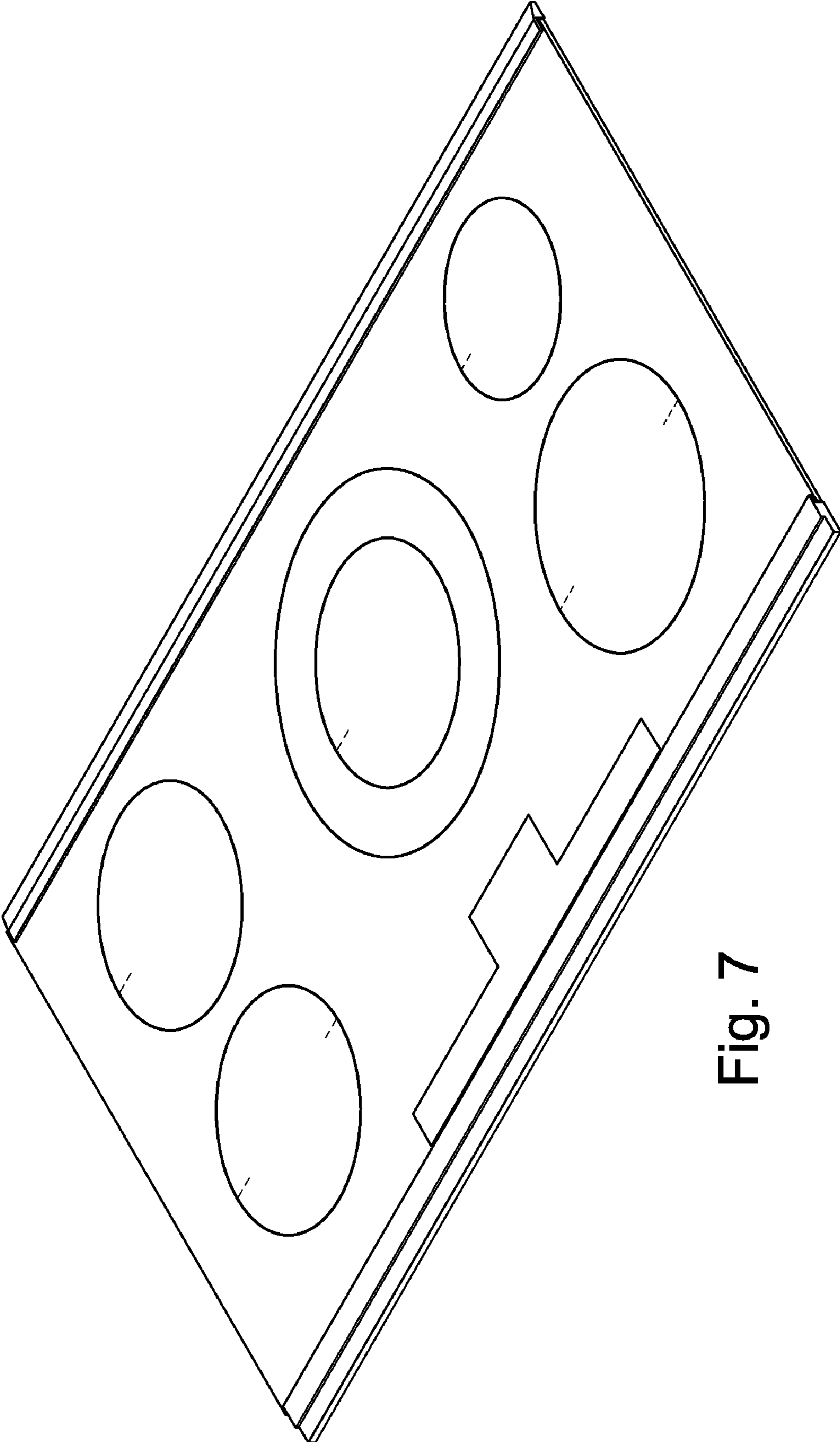


Fig. 7

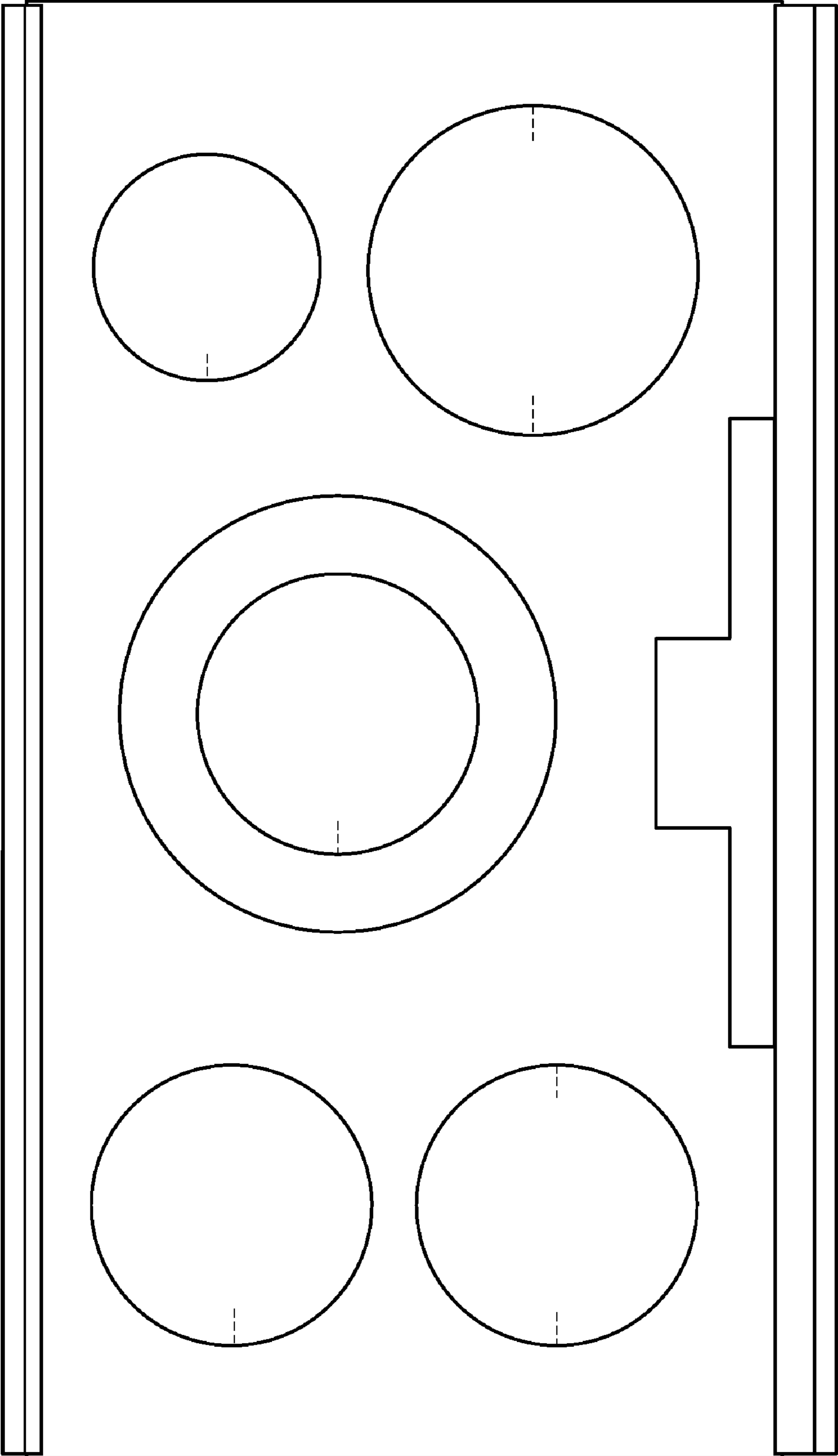


Fig. 8



Fig. 11

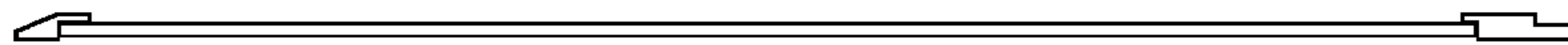


Fig. 10



Fig. 12

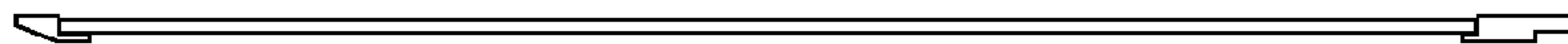


Fig. 9

UNITED STATES PATENT AND TRADEMARK OFFICE
CERTIFICATE OF CORRECTION

PATENT NO. : D671,789 S
APPLICATION NO. : 29/407293
DATED : December 4, 2012
INVENTOR(S) : Ulrich Goss et al.

Page 1 of 1

It is certified that error appears in the above-identified patent and that said Letters Patent is hereby corrected as shown below:

Title Page Insert

--(30) Foreign Application Priority Data

Jul. 31, 2009 (DE).....40 2009 003 742--

Signed and Sealed this
Fifth Day of February, 2013



Teresa Stanek Rea
Acting Director of the United States Patent and Trademark Office