



US00D671788S

(12) **United States Design Patent**
Slater

(10) **Patent No.:** **US D671,788 S**
(45) **Date of Patent:** **** Dec. 4, 2012**

- (54) **GRILL**
 - (75) Inventor: **Owen Alan Slater**, Plano, TX (US)
 - (73) Assignee: **The Brinkman Corporation**, Dallas, TX (US)
 - (**) Term: **14 Years**
 - (21) Appl. No.: **29/397,943**
 - (22) Filed: **Jul. 22, 2011**
 - (51) **LOC (9) Cl.** **07-02**
 - (52) **U.S. Cl.** **D7/334**
 - (58) **Field of Classification Search** D7/332,
D7/334-337, 402-407, 409; 126/25 R, 25 A,
126/25 AA, 29-30, 9 R, 37-38, 41 R, 40-50,
126/332, 39 M, 214 R, 307 R, 334 R, 276,
126/268; 99/481, 482; D6/511; 219/461.1;
312/100, 236
- See application file for complete search history.

D527,947 S	9/2006	Pai	
D528,349 S	9/2006	Chung	
D533,010 S	12/2006	Pai	
D536,918 S	2/2007	Wood	
D546,116 S	7/2007	Tseng	
D557,067 S	12/2007	Ho et al.	
D558,518 S	1/2008	Ho et al.	
D560,415 S	1/2008	Wood et al.	
D562,630 S	2/2008	Chau et al.	
D569,168 S *	5/2008	Pai	D7/334
D571,142 S	6/2008	Chung	
D571,602 S	6/2008	Chung	
D571,605 S	6/2008	Chung	
D581,199 S	11/2008	Chau	
D582,715 S *	12/2008	Pai	D7/334
D584,562 S	1/2009	Chau et al.	
D586,609 S *	2/2009	Chau	D7/334
D614,434 S *	4/2010	Proffitt et al.	D7/334
D618,952 S *	7/2010	Chung	D7/334
D621,201 S *	8/2010	Proffitt et al.	D7/334

* cited by examiner

Primary Examiner — Ruth McInroy

(74) *Attorney, Agent, or Firm* — Sheppard, Mullin, Richter & Hampton LLP

(56) **References Cited**

U.S. PATENT DOCUMENTS

D362,153 S	9/1995	Home
D404,963 S	2/1999	Schlosser et al.
D433,279 S	11/2000	Schlosser et al.
D450,215 S	11/2001	Wood et al.
D450,216 S	11/2001	Wood et al.
D461,359 S	8/2002	Coleman et al.
D462,227 S	9/2002	Alden et al.
D465,123 S	11/2002	Coleman et al.
D466,756 S	12/2002	Bossler et al.
D470,357 S	2/2003	Home
D471,057 S	3/2003	Chung
D475,235 S	6/2003	Home
D501,116 S	1/2005	Zhang
D525,073 S	7/2006	Wilgus et al.

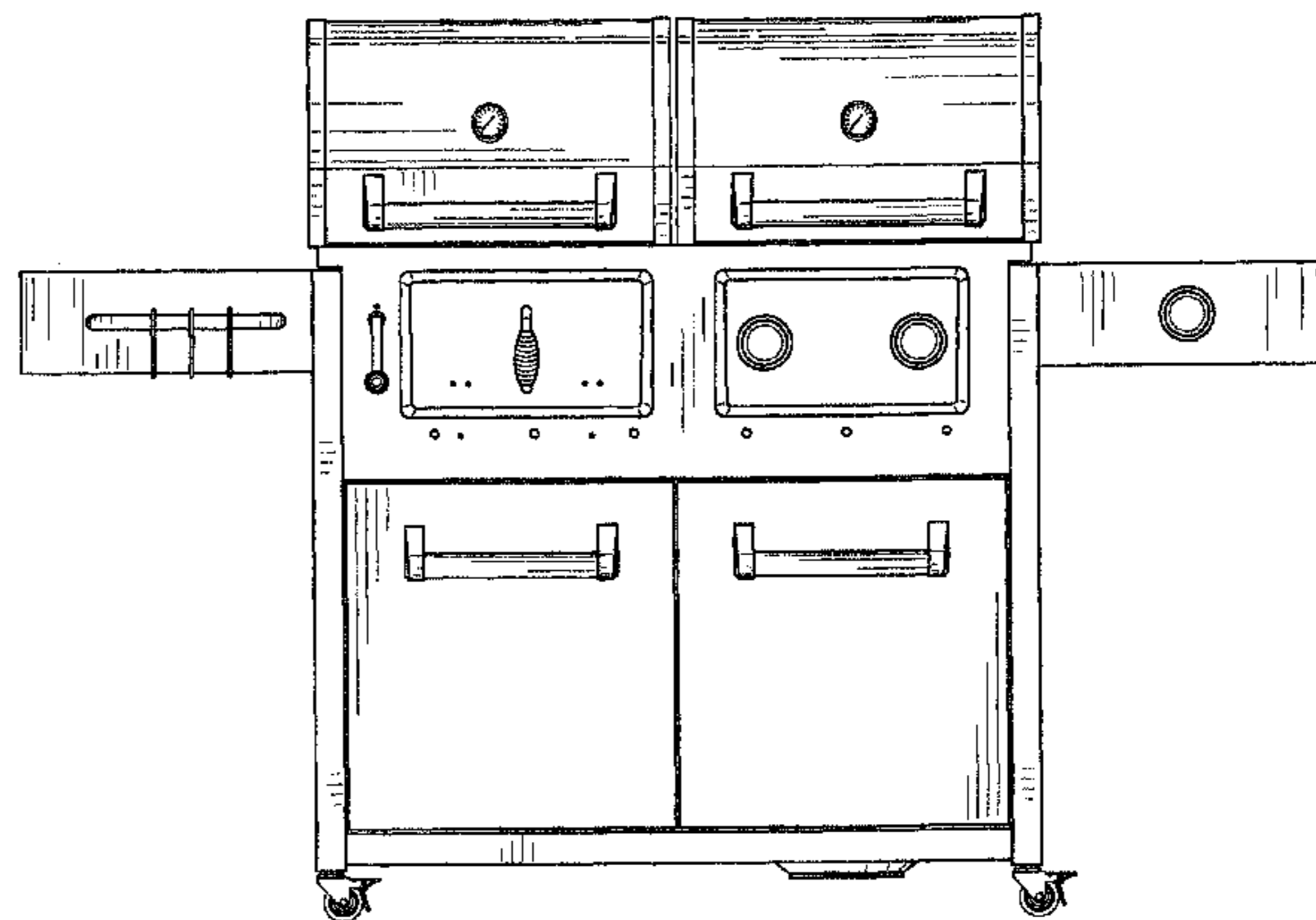
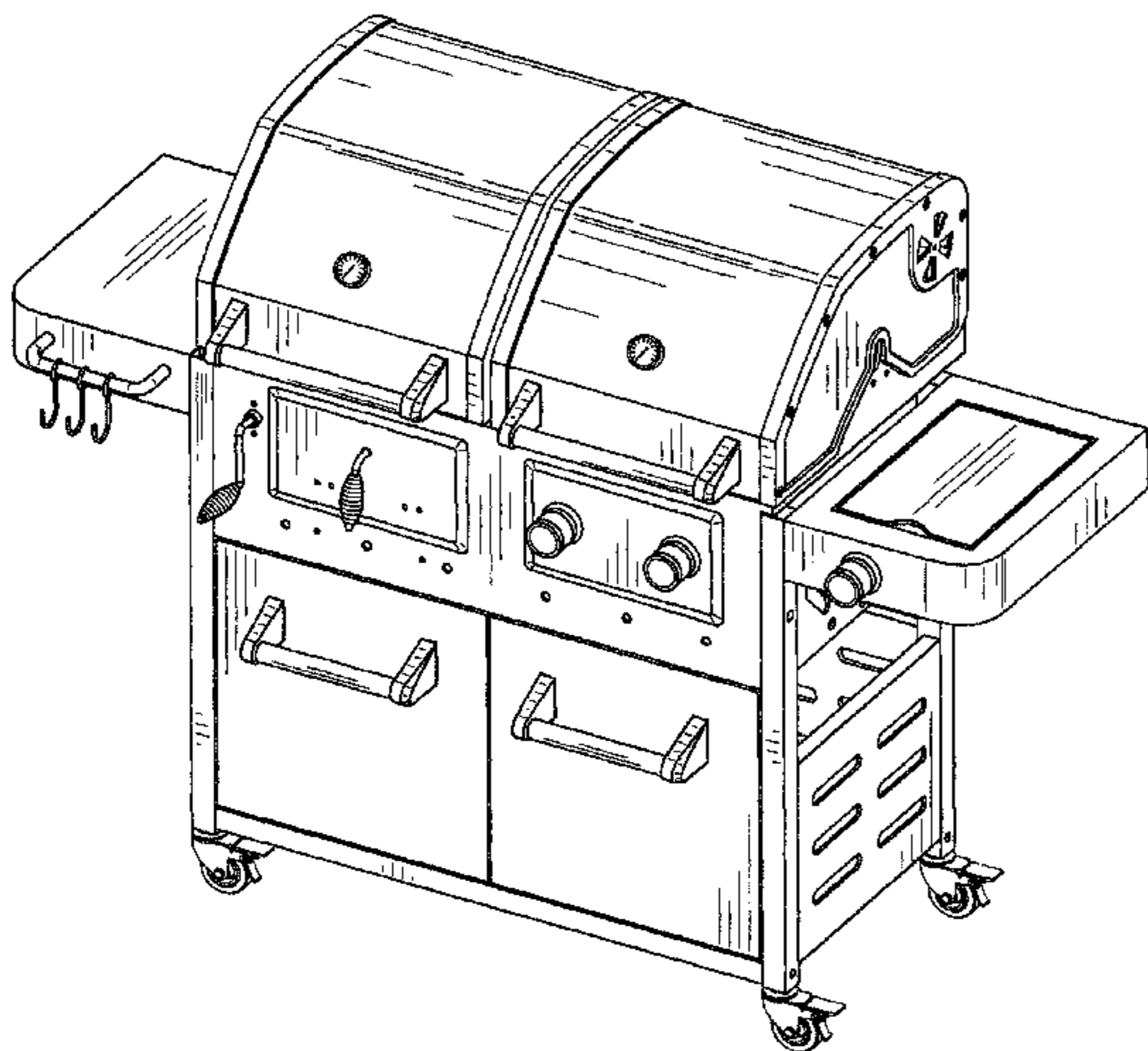
(57) **CLAIM**

I claim the ornamental design for a grill, as shown and described.

DESCRIPTION

FIG. 1 is a perspective view of the grill showing the new design;
 FIG. 2 is a front elevational view thereof;
 FIG. 3 is a rear elevational view thereof;
 FIG. 4 is a left side elevational view thereof;
 FIG. 5 is a right side elevational view thereof; and,
 FIG. 6 is a top plan view thereof.

1 Claim, 5 Drawing Sheets



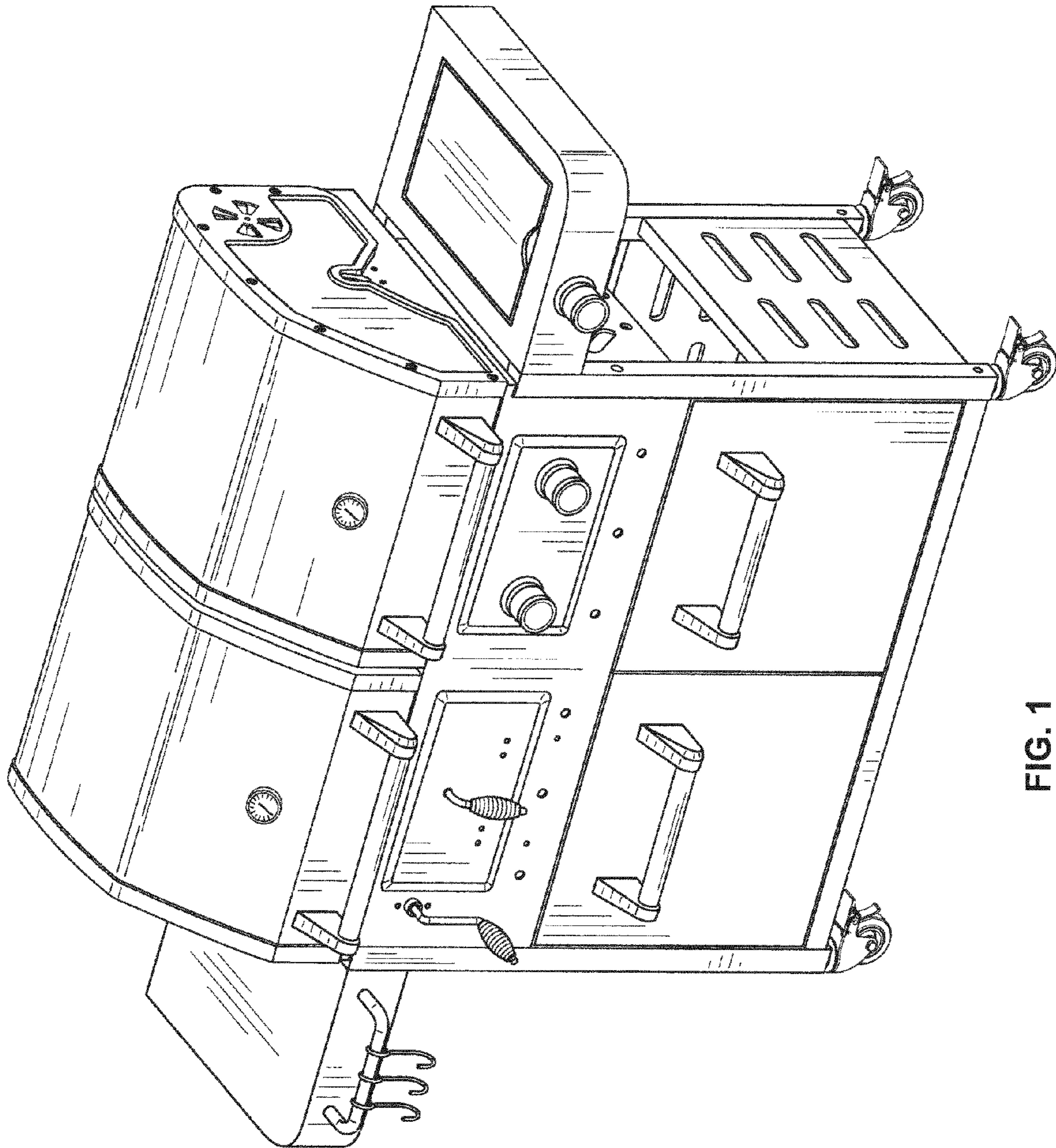


FIG. 1

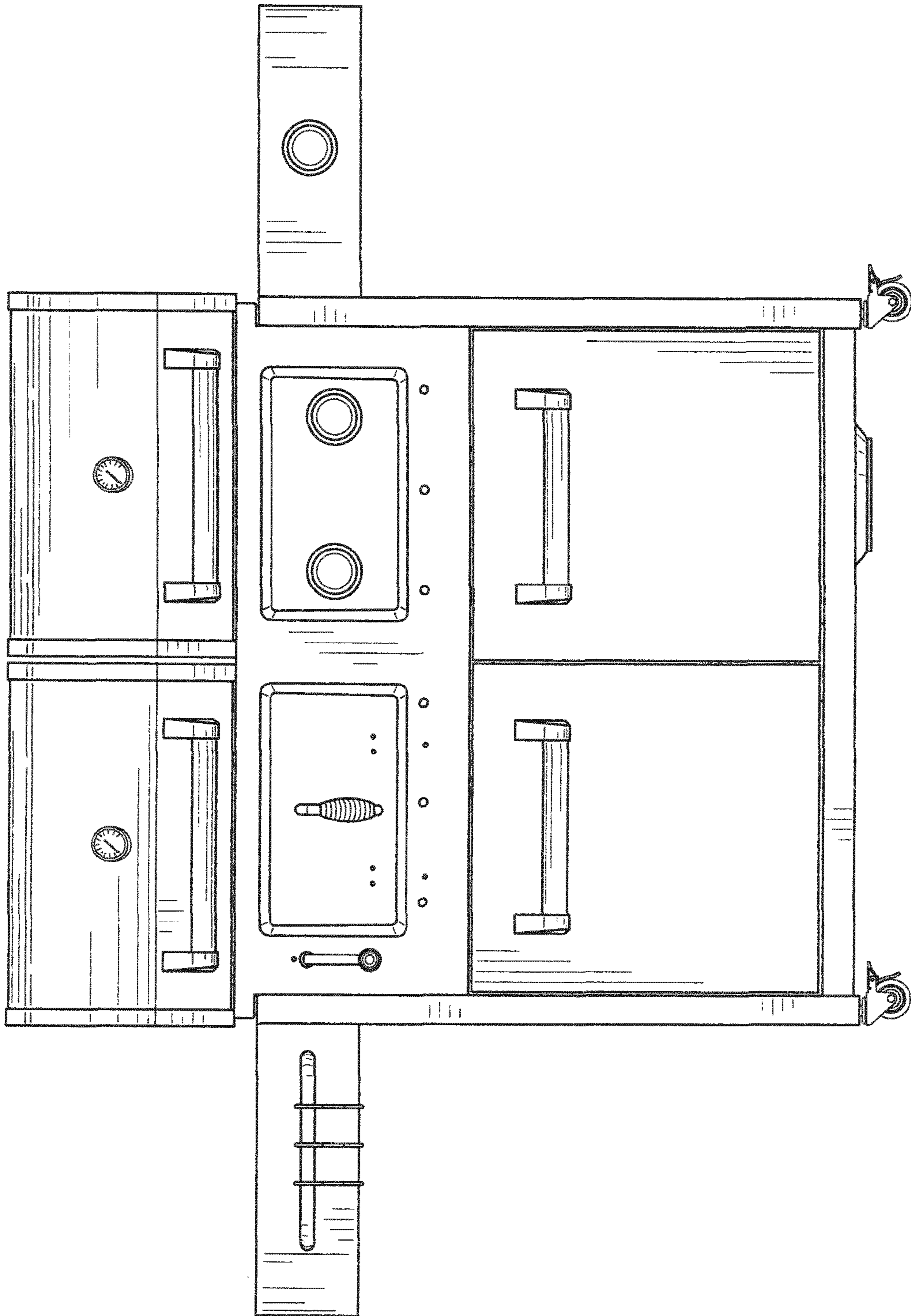


FIG. 2

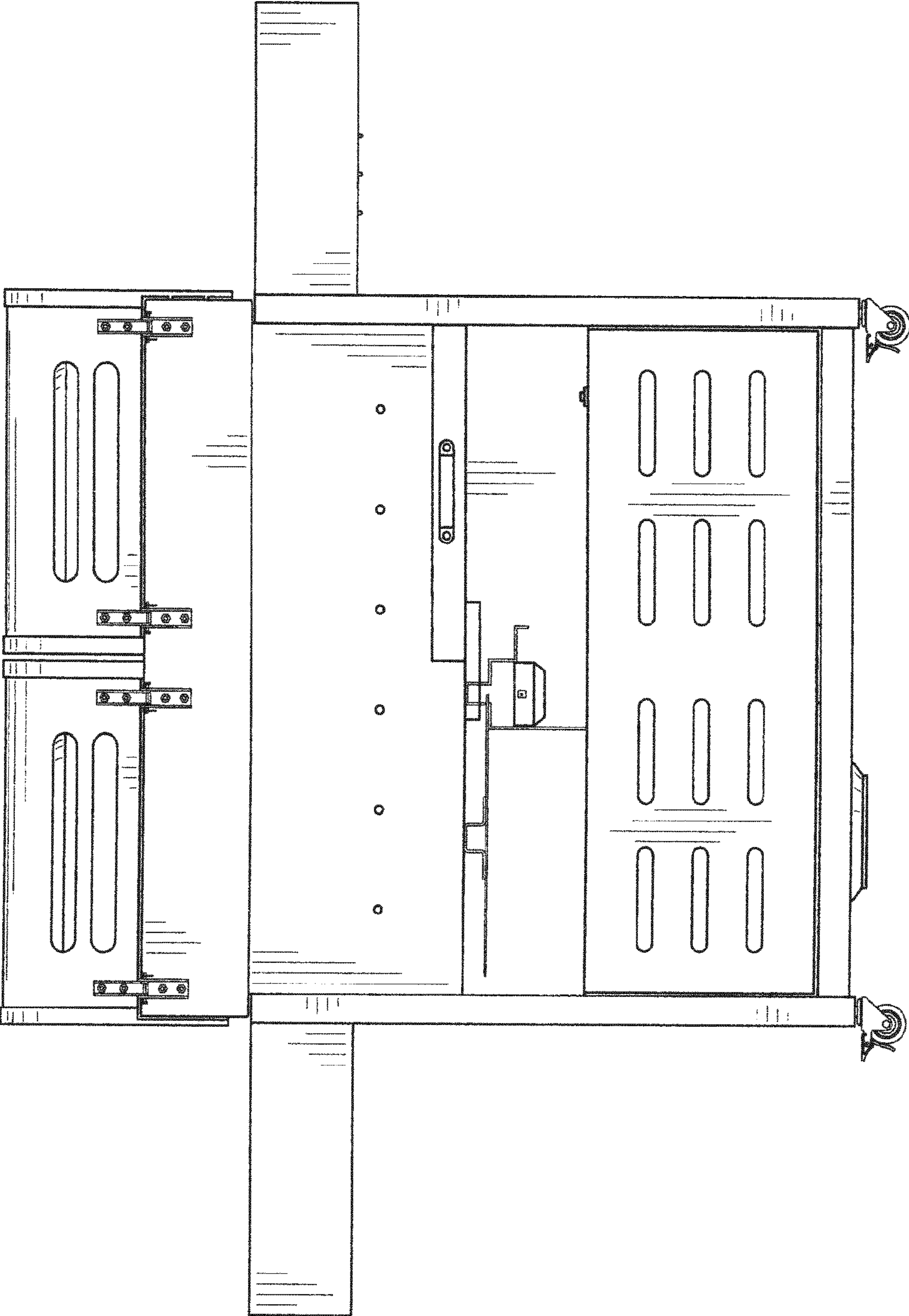


FIG. 3

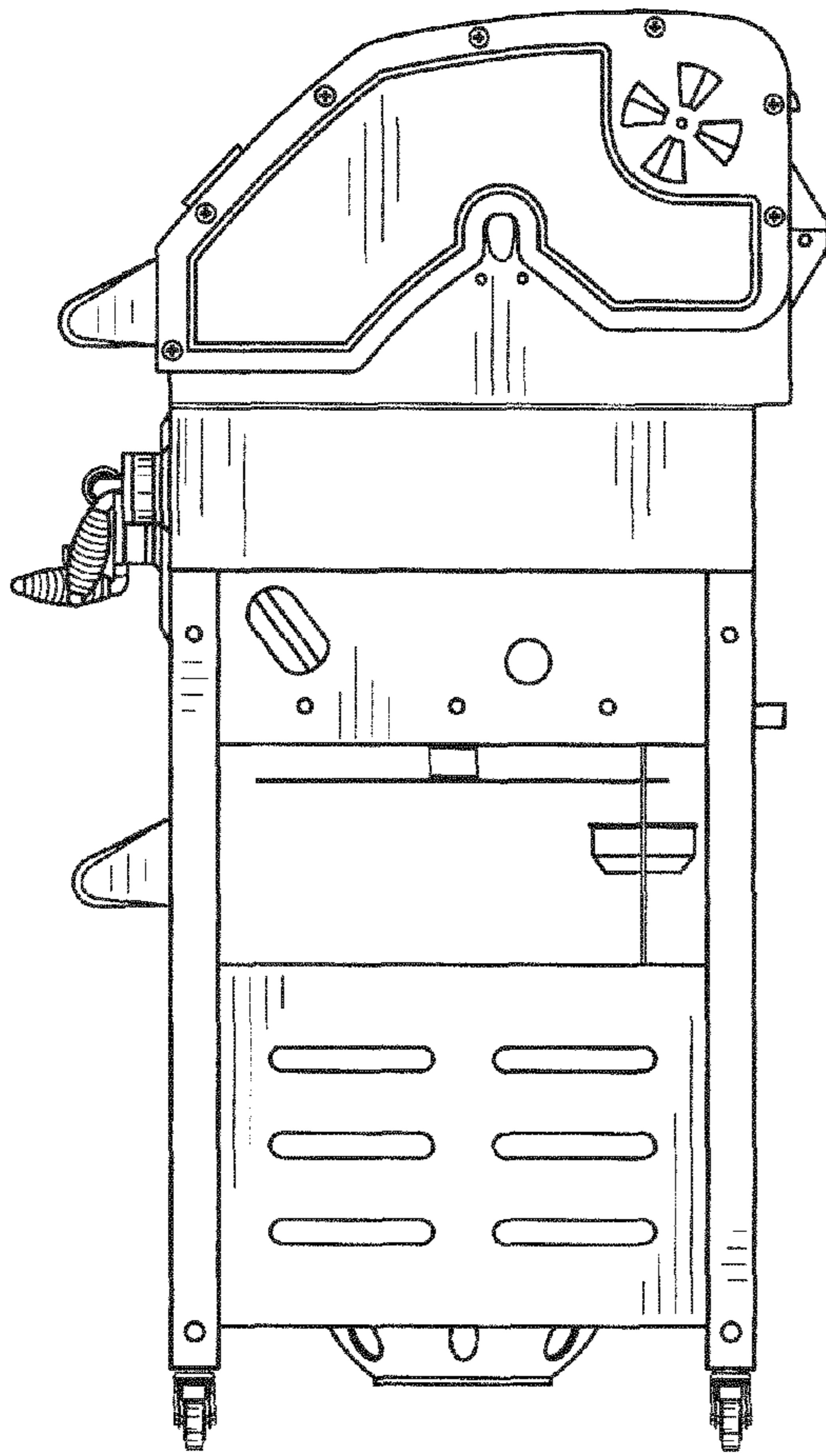


FIG. 4

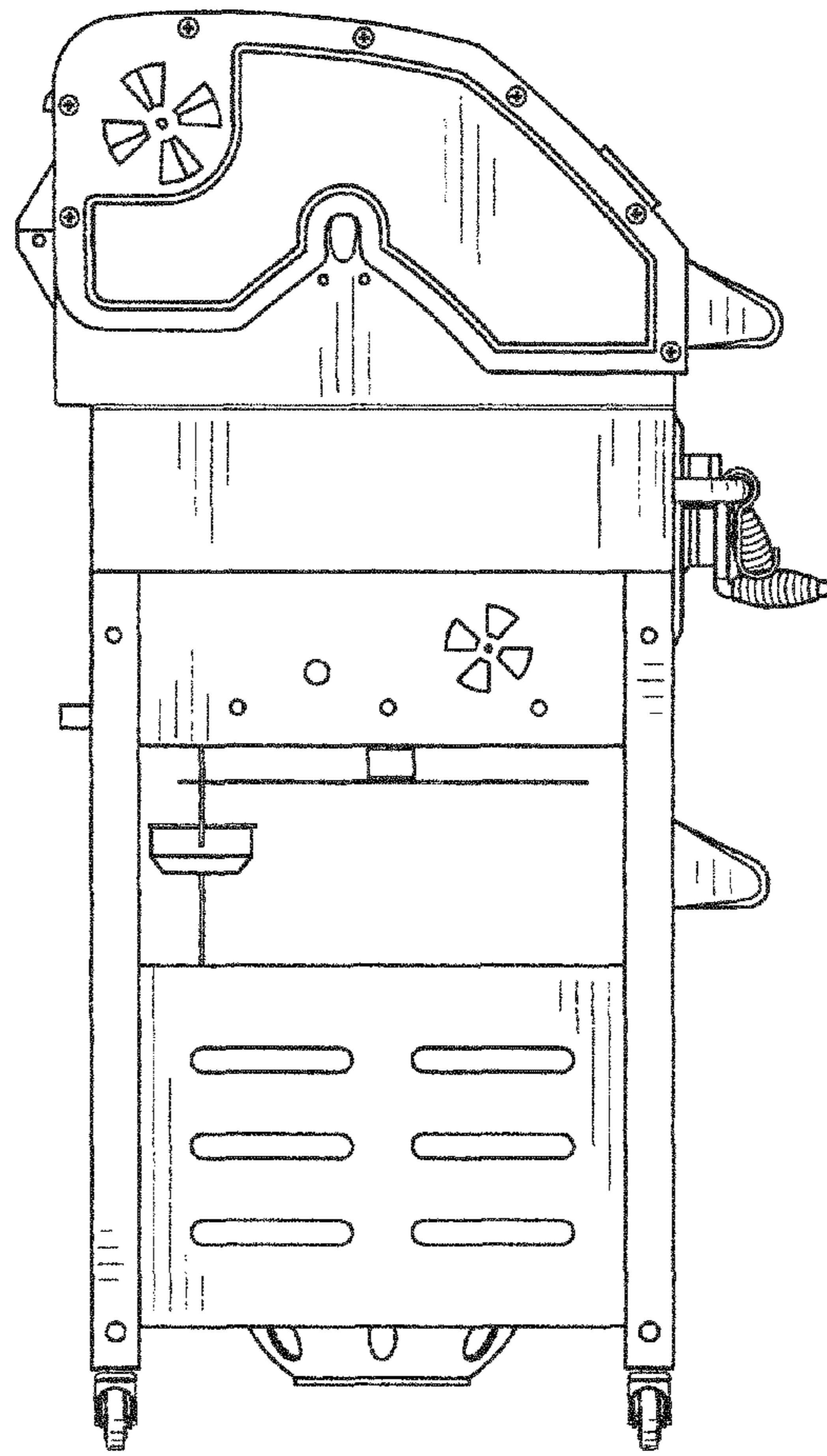


FIG. 5

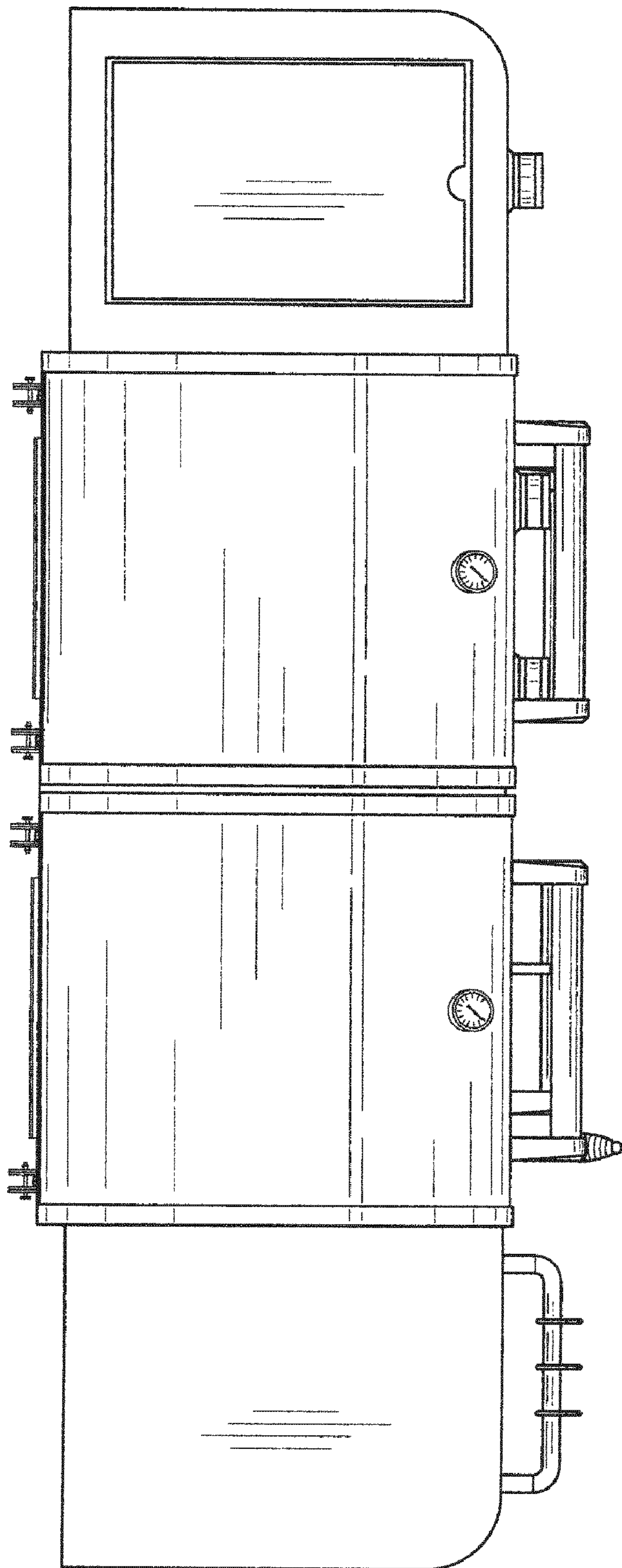


FIG. 6