



US00D671787S

(12) **United States Design Patent**
Lin

(10) **Patent No.:** **US D671,787 S**
(45) **Date of Patent:** **** Dec. 4, 2012**

(54) **DECANTER**

(75) Inventor: **Peng Lin**, Aabyhoej (DK)

(73) Assignee: **Lin Holding ApS**, Aabyhoej (DK)

(**) Term: **14 Years**

(21) Appl. No.: **29/400,054**

(22) Filed: **Aug. 23, 2011**

(51) **LOC (9) Cl.** **07-01**

(52) **U.S. Cl.** **D7/300.1; D7/316; D7/598**

(58) **Field of Classification Search** D7/608,
D7/316, 300.1, 598, 511, 510, 317; D9/502,
D9/503, 504; 222/196.1; 215/13.1
See application file for complete search history.

(56) **References Cited**

U.S. PATENT DOCUMENTS

3,163,318	A *	12/1964	Frank	220/780
D199,994	S *	1/1965	Knodt	D7/598
3,257,025	A *	6/1966	Jolly	220/739
D206,453	S *	12/1966	Phillips	D7/317
3,677,524	A *	7/1972	Douglas	366/130
D409,051	S *	5/1999	Huang	D7/608
D418,358	S *	1/2000	Huang	D7/317
D471,767	S *	3/2003	Ucar Cortes et al.	D7/598
D474,406	S *	5/2003	Kaposi	D9/505
D522,367	S *	6/2006	Bakic	D9/504

D536,205	S *	2/2007	Jensen et al.	D7/316
D588,871	S *	3/2009	Miller et al.	D7/510
D593,365	S *	6/2009	Miller et al.	D7/510
D609,571	S *	2/2010	Butler et al.	D9/504
D618,062	S *	6/2010	Jossem et al.	D7/598
D618,967	S *	7/2010	Bodum	D7/615
D621,648	S *	8/2010	Lown et al.	D7/316
D622,547	S *	8/2010	Carreno	D7/510
D627,603	S *	11/2010	Eyal	D7/510
D635,403	S *	4/2011	Conway et al.	D7/598
D639,661	S *	6/2011	Llerena	D9/504
D639,663	S *	6/2011	Llerena	D9/504
D640,084	S *	6/2011	Sheppard et al.	D7/316
D640,094	S *	6/2011	Carlson et al.	D7/510
D642,852	S *	8/2011	Sheppard et al.	D7/317
D661,939	S *	6/2012	Kern et al.	D7/316

* cited by examiner

Primary Examiner — Marianne Pandozzi

(74) *Attorney, Agent, or Firm* — Duane Morris LLP

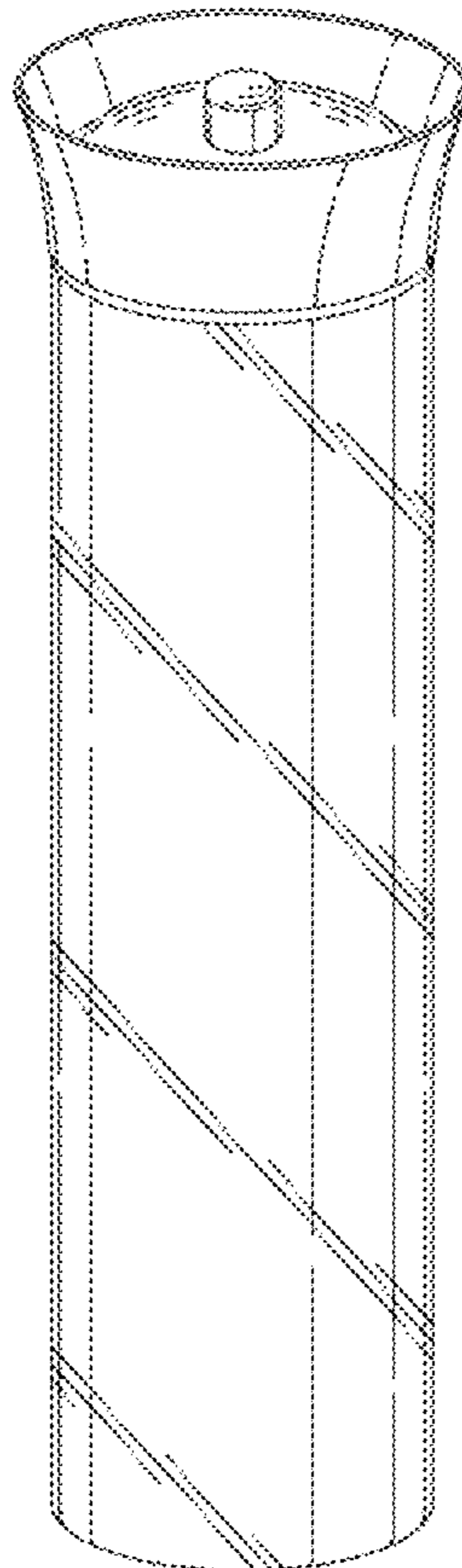
(57) **CLAIM**

The ornamental design for a decanter, as shown and described.

DESCRIPTION

FIG. 1 is a perspective view of the decanter;
FIG. 2 is a side elevational view of the decanter, all sides
being the same;
FIG. 3 is a top view of the decanter; and,
FIG. 4 is a bottom view of the decanter.

1 Claim, 3 Drawing Sheets



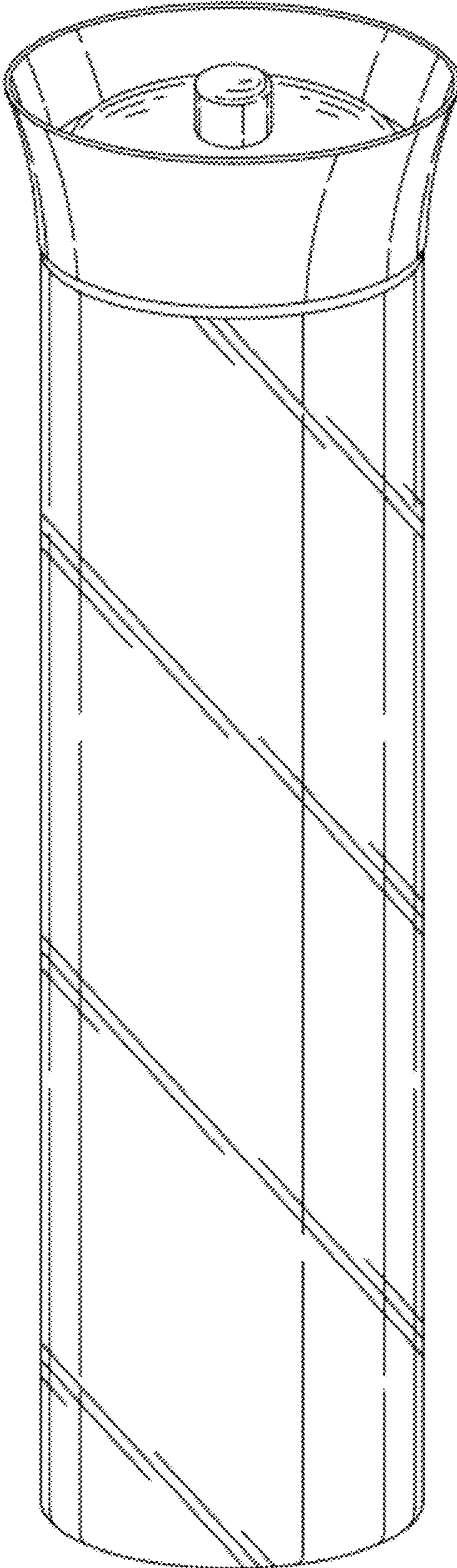


FIG. 1

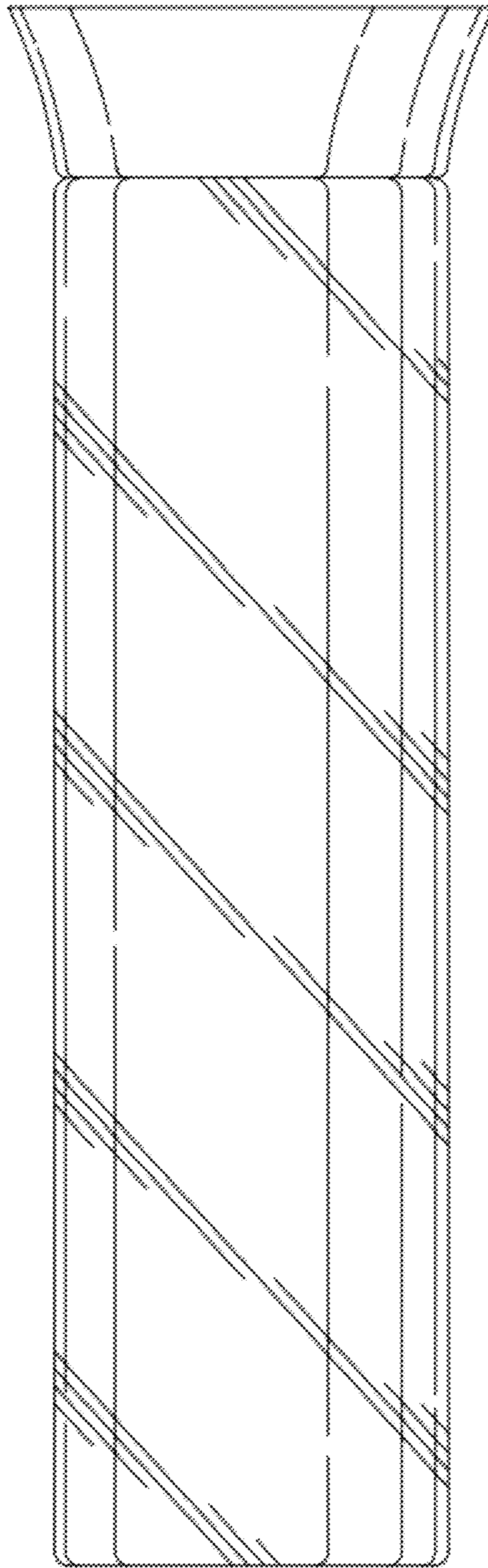


FIG. 2

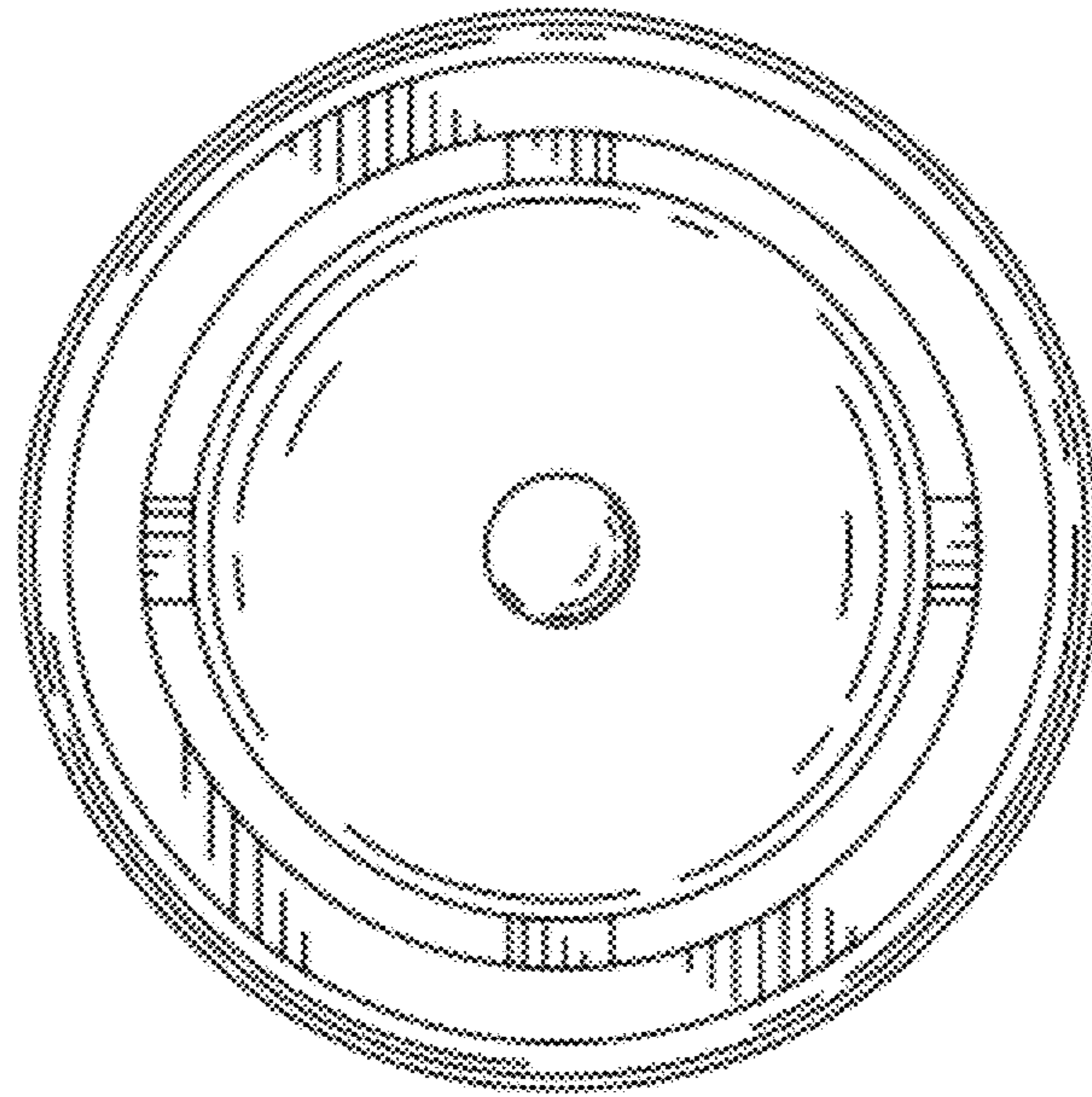


FIG. 3

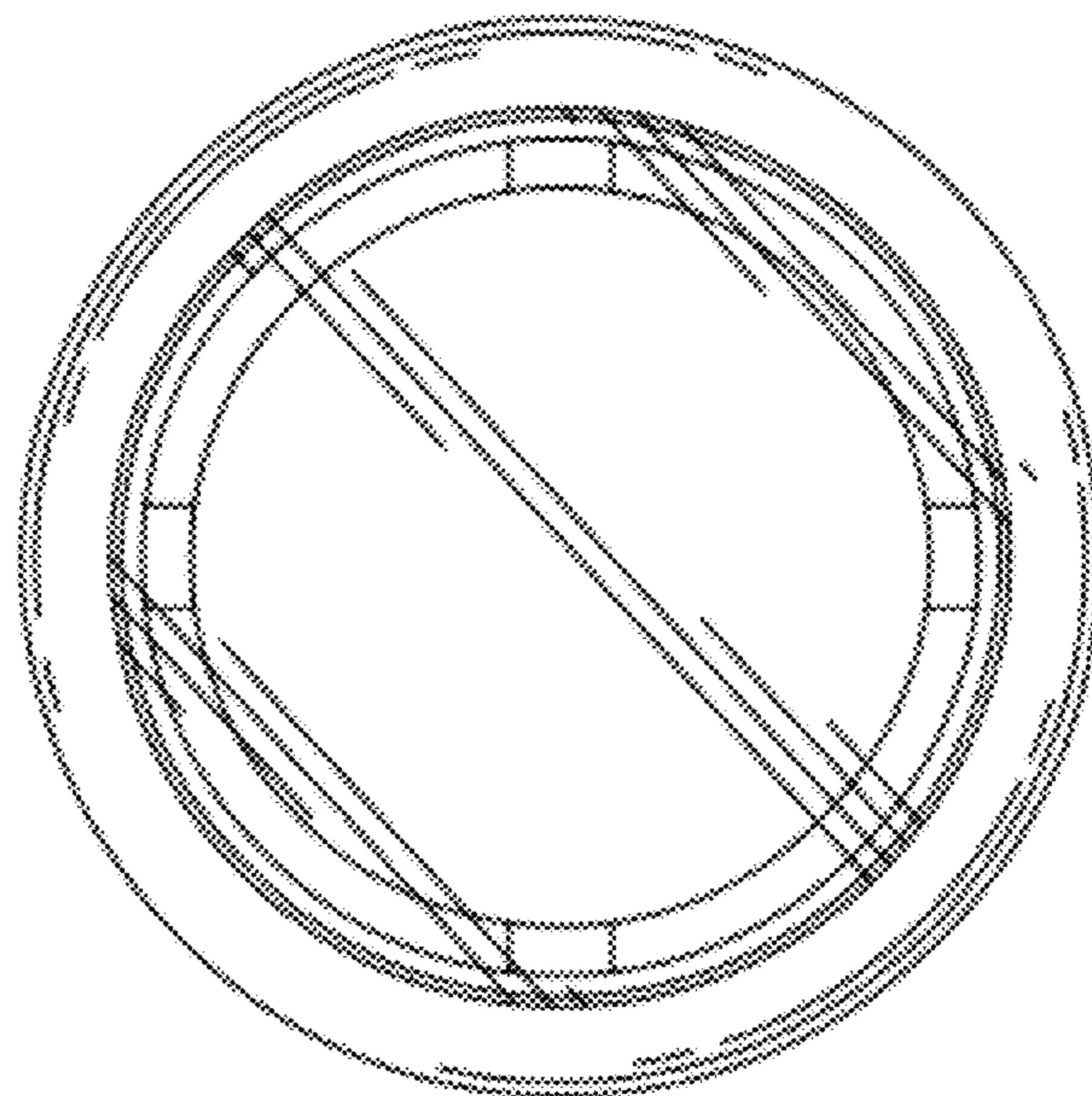


FIG. 4