

US00D671784S

(12) **United States Design Patent**
Gallie, II

(10) **Patent No.:** **US D671,784 S**
(45) **Date of Patent:** **** Dec. 4, 2012**

(54) **YOGA MAT**

(76) Inventor: **Roland Gallie, II**, Satellite Beach, FL
(US)

(**) Term: **14 Years**

(21) Appl. No.: **29/411,771**

(22) Filed: **Jan. 25, 2012**

(51) **LOC (9) Cl.** **06-11**

(52) **U.S. Cl.** **D6/582**

(58) **Field of Classification Search** D5/30,
D5/47, 49, 58, 61-63, 99, 53, 57; D6/582,
D6/583, 588, 591, 592, 613, 615, 617, 619,
D6/620, 621; D12/203; D19/1, 5, 8; 4/581,
4/582, 583; 5/417, 420; 15/215, 238; 52/660;
428/85; D32/57

See application file for complete search history.

(56) **References Cited**

U.S. PATENT DOCUMENTS

53,193	A *	3/1866	Snow	52/180
212,497	A *	2/1879	Perry	52/181
D20,107	S *	8/1890	Carr	D6/583
D29,459	S *	10/1898	Parker	D6/583
1,008,618	A *	11/1911	Skowronski et al.	15/216
D42,145	S *	2/1912	Morse	D12/203
1,488,804	A *	4/1924	Brown	428/78
D71,412	S *	11/1926	Rubenstein	D5/47
1,742,627	A *	1/1930	Wright	52/447
D89,623	S *	4/1933	Beam	D5/1
D97,010	S *	9/1935	Lake	D5/7
2,148,281	A *	2/1939	Scott, Jr.	52/454
D119,548	S *	3/1940	Gaines	D5/19
2,325,903	A *	8/1943	Blair et al.	264/45.5
2,477,960	A *	8/1949	Caldwell	15/215
D157,709	S *	3/1950	Smith	D25/141
3,121,884	A *	2/1964	Emery	5/634
D212,044	S *	8/1968	Woodman	D25/144
D225,160	S *	11/1972	Thomas	D12/203

4,738,545	A *	4/1988	Westgor	383/4
4,892,535	A *	1/1990	Bjornberg et al.	604/380
5,021,277	A *	6/1991	Fan	428/76
D356,917	S *	4/1995	Marshburn	D6/596
D360,797	S *	8/1995	Evans	D6/608
5,811,165	A *	9/1998	Andreen	428/52
6,340,513	B1 *	1/2002	Hammond et al.	428/95
D475,856	S *	6/2003	Karul et al.	D5/53
D484,728	S *	1/2004	Ku	D6/604
6,716,514	B2 *	4/2004	Nissing	D28/153
D501,553	S *	2/2005	Kelly	D24/125
D517,848	S *	3/2006	Contreras	D6/596
D523,277	S *	6/2006	Contreras	D6/606
7,485,071	B2	2/2009	Edwards	
7,976,933	B2	7/2011	Yeh	
2004/0250346	A1	12/2004	Vasishth	
2005/0192158	A1	9/2005	Edwards	
2006/0292343	A1	12/2006	Sellers	
2007/0020449	A1	1/2007	Hing	
2008/0214373	A1	9/2008	Denham	
2009/0110867	A1	4/2009	Feng Shen	
2009/0297811	A1	12/2009	Hutchinson	
2010/0260963	A1	10/2010	Feng Shen	
2011/0052877	A1	3/2011	Yeh	

* cited by examiner

Primary Examiner — Karen S Acker

(57) **CLAIM**

The ornamental design for a yoga mat, as shown and described.

DESCRIPTION

FIG. 1 is a right side elevated view of a yoga mat showing my new design, a left side elevated view being a same image thereof;

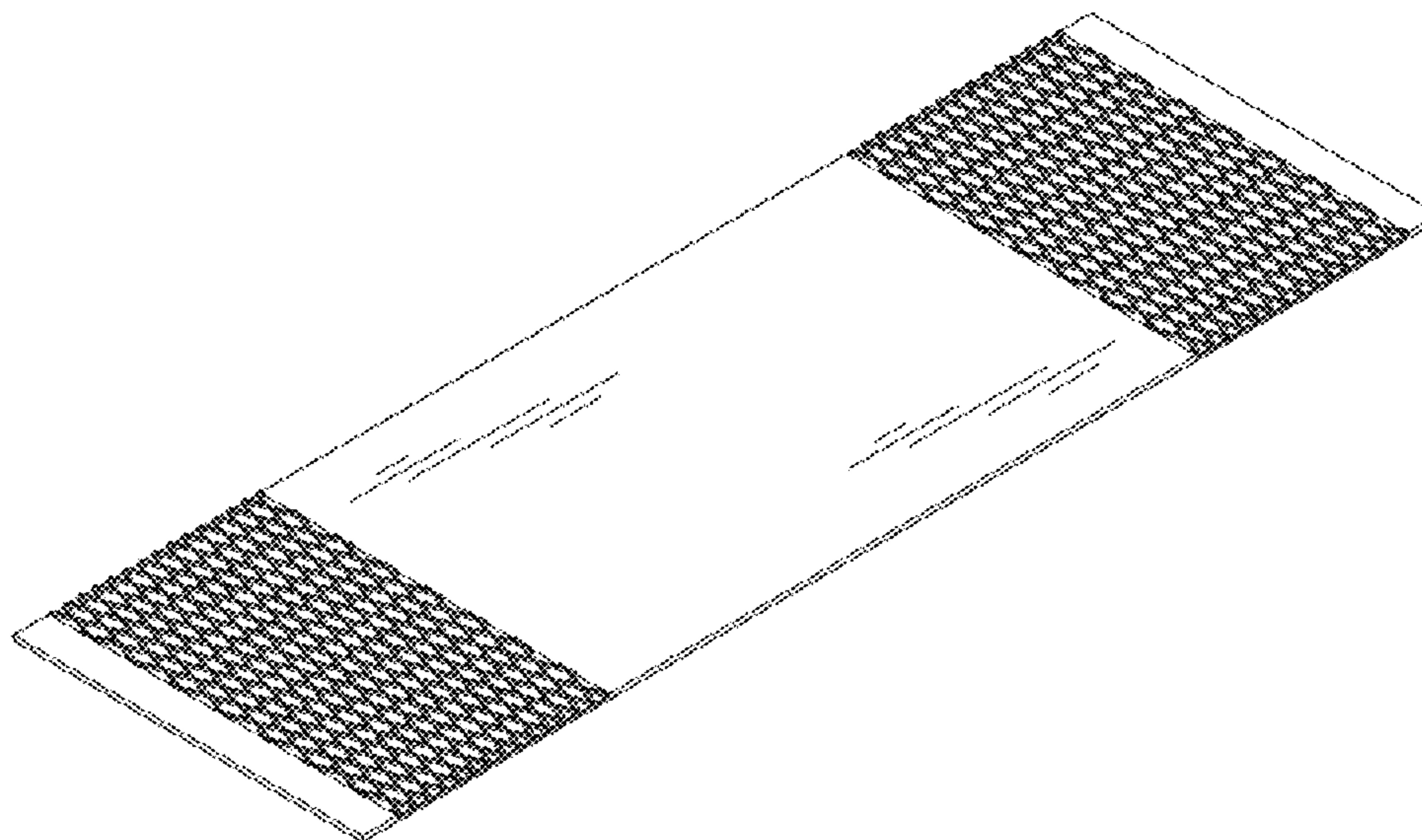
FIG. 2 is a rear elevated view of the yoga mat, a front elevated view being a same image thereof;

FIG. 3 is a top plan view of the yoga mat;

FIG. 4 is a bottom plan view of the yoga mat; and,

FIG. 5 is a top perspective view of the yoga mat.

1 Claim, 3 Drawing Sheets



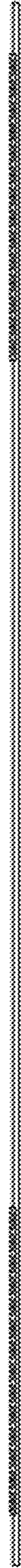


FIG. 1

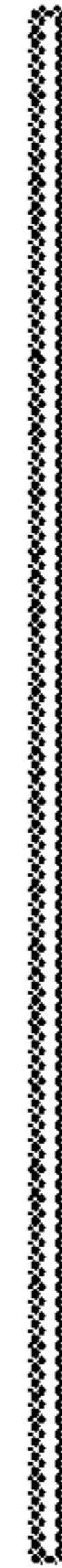


FIG. 2

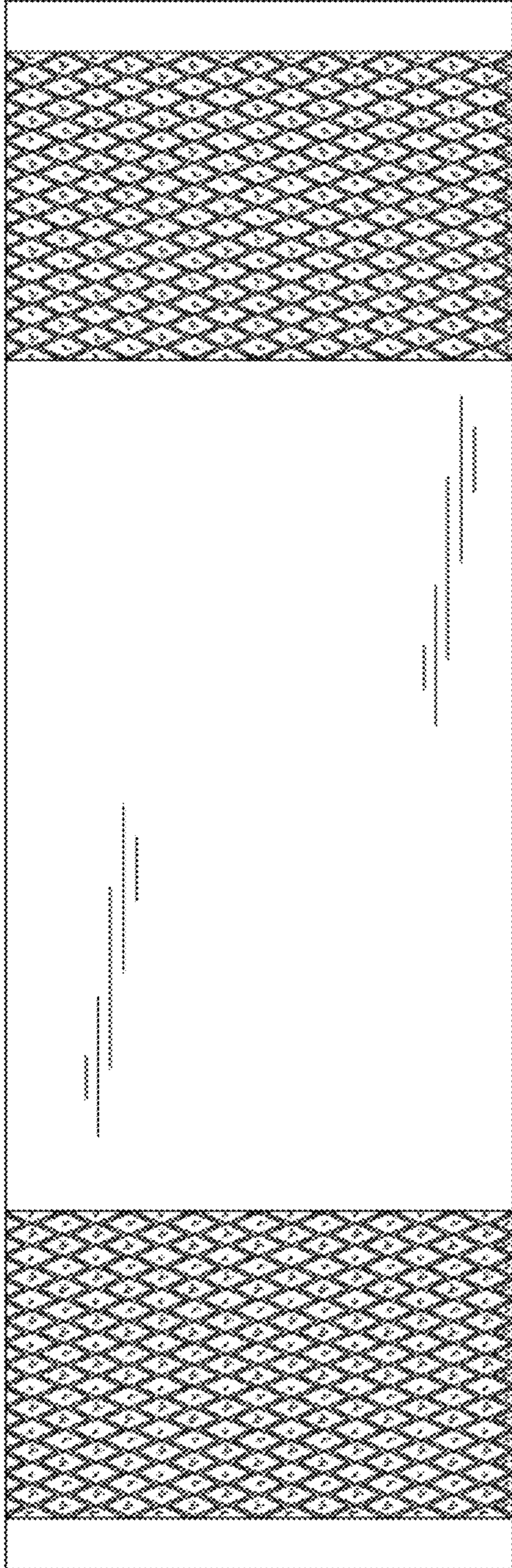


FIG. 3

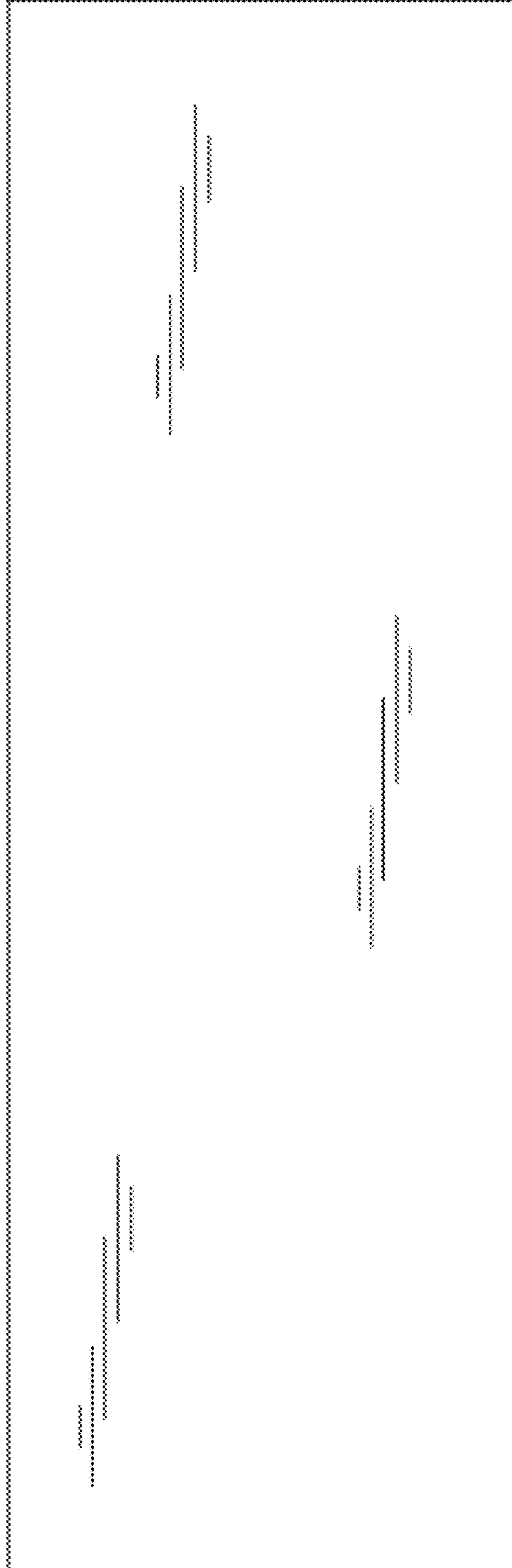


FIG. 4

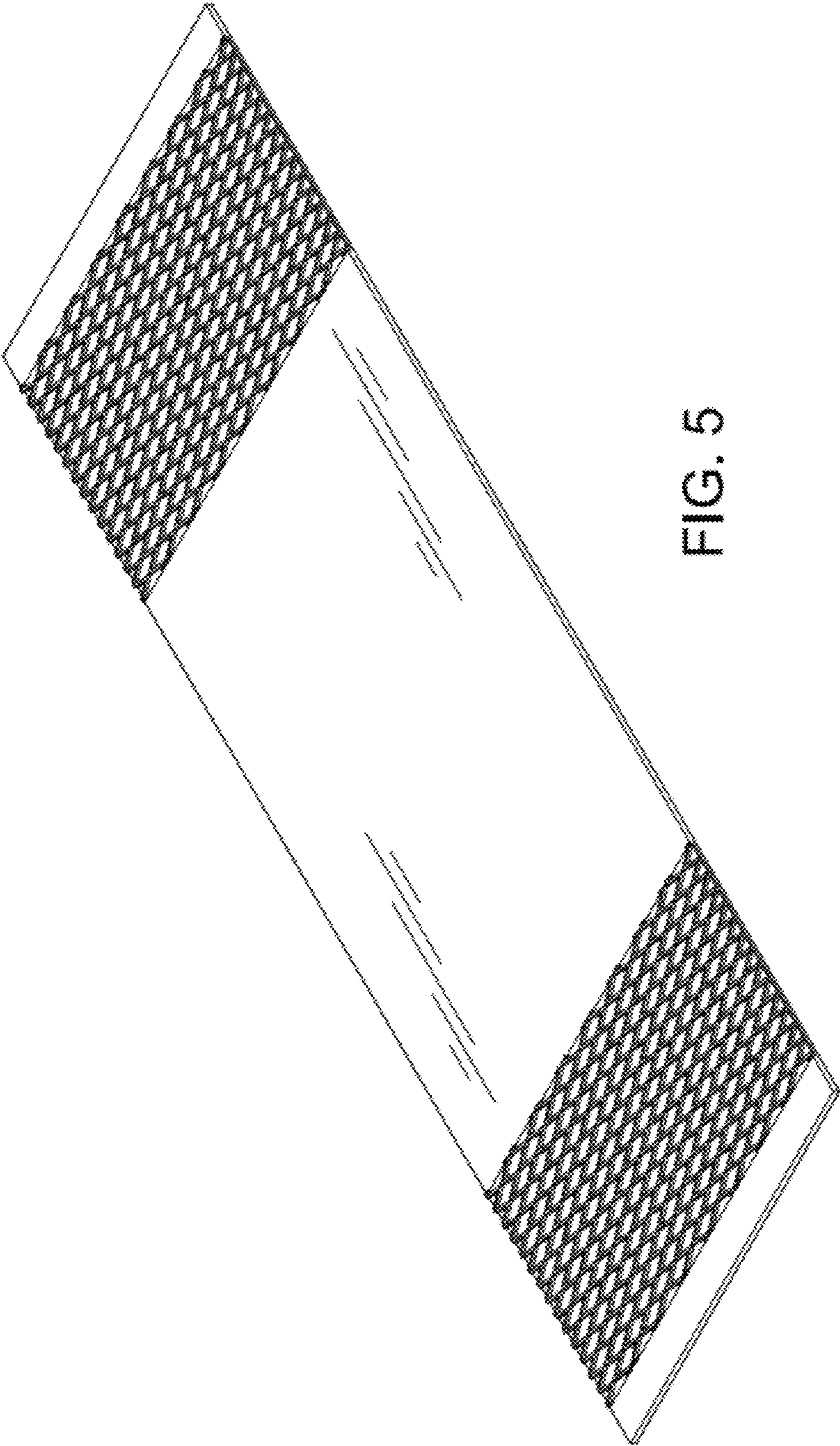


FIG. 5