



US00D671783S

(12) **United States Design Patent**
Graneto, III

(10) **Patent No.:** **US D671,783 S**

(45) **Date of Patent:** **** Dec. 4, 2012**

(54) **SUSPENSION MECHANISM FOR A CURTAIN**

Primary Examiner — Susan Bennett Hattan

Assistant Examiner — Barbara B Lohr

(76) Inventor: **Joseph A. Graneto, III**, St. Charles, MO (US)

(74) *Attorney, Agent, or Firm* — Harness, Dickey & Pierce, P.L.C.

(**) Term: **14 Years**

(21) Appl. No.: **29/405,095**

(57) **CLAIM**

The ornamental design for a suspension mechanism for a curtain, as shown and described.

(22) Filed: **Oct. 28, 2011**

(51) **LOC (9) Cl.** **06-10**

(52) **U.S. Cl.** **D6/580**

(58) **Field of Classification Search** D6/575, D6/576, 577, 578, 579, 580; 4/557, 558, 4/559, 605, 606, 607, 608, 609, 610; 16/87.2, 16/87.4 R, 93 D, 94 R; 248/214, 215, 261–265; D8/367, 373; 160/1, 5, 7, 19, 38, 39, 168.1 P
See application file for complete search history.

DESCRIPTION

FIG. 1 is a front and left side perspective view showing my new design;
FIG. 2 is a front elevation view thereof;
FIG. 3 is a rear elevation view thereof;
FIG. 4 is a left side elevation view thereof;
FIG. 5 is a right side elevation view thereof;
FIG. 6 is a top elevation view thereof;
FIG. 7 is a bottom elevation view thereof;
FIG. 8 is an exploded view of the components of the suspension mechanism for a curtain; and,
FIG. 9 illustrates a plurality of the suspension mechanisms between a curtain and a suspension rail.
The broken lines depict unclaimed environmental subject matter.

(56) **References Cited**

U.S. PATENT DOCUMENTS

4,285,095	A *	8/1981	Janson	16/94 R
D359,410	S *	6/1995	Domel et al.	D6/580
D425,747	S *	5/2000	Sloan	D6/580
D482,223	S *	11/2003	Bibby et al.	D6/580
D523,675	S *	6/2006	Schorling	D6/580
8,151,385	B2 *	4/2012	Goskowski et al.	4/610

* cited by examiner

1 Claim, 9 Drawing Sheets

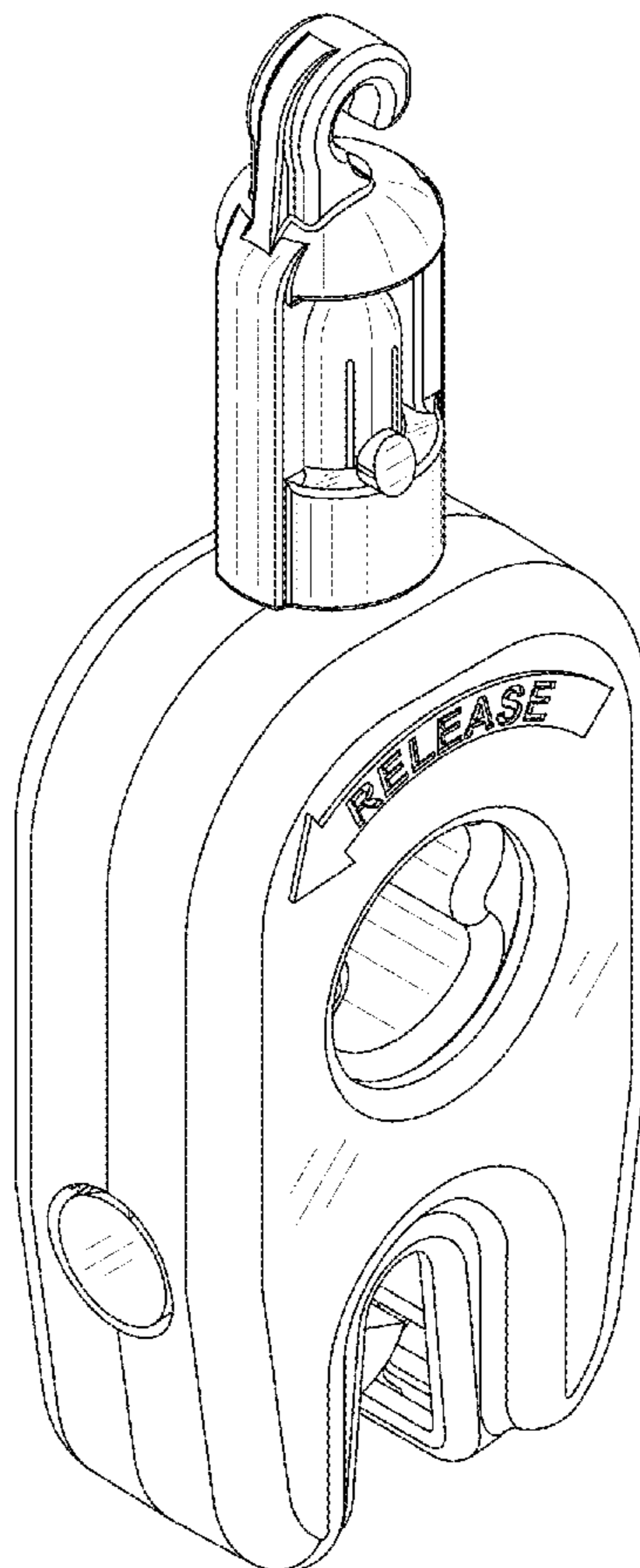


FIG. 1

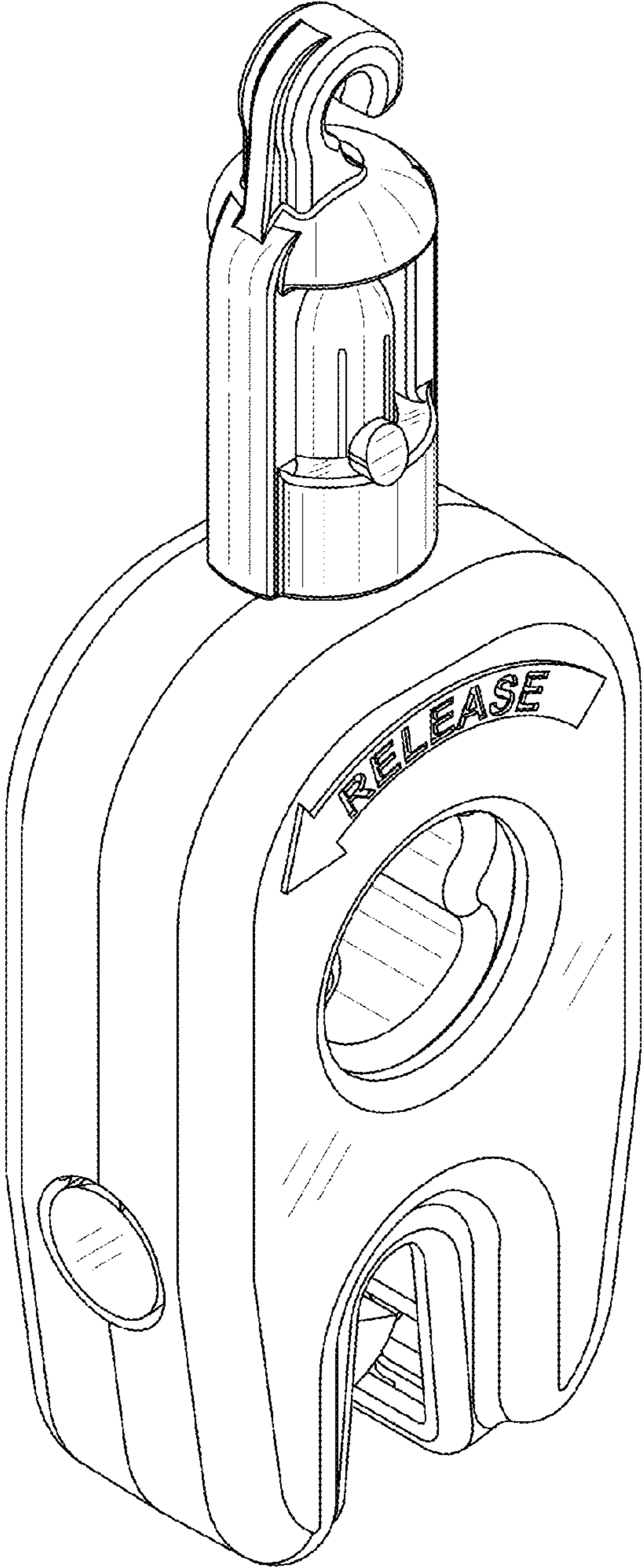


FIG. 2



FIG. 3



FIG. 4

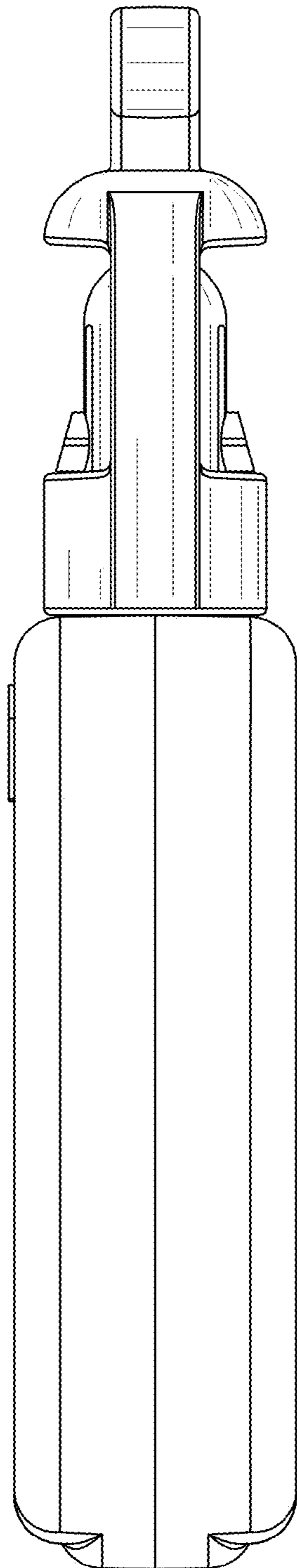


FIG. 5

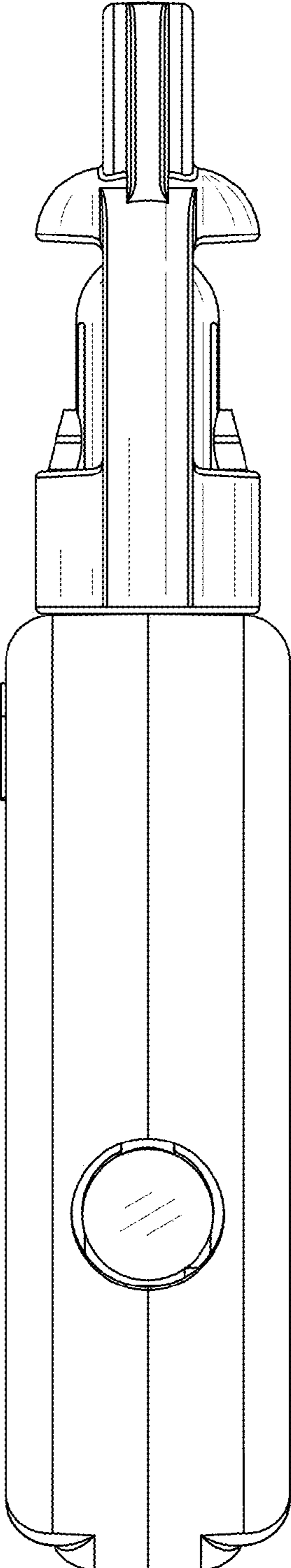


FIG. 6

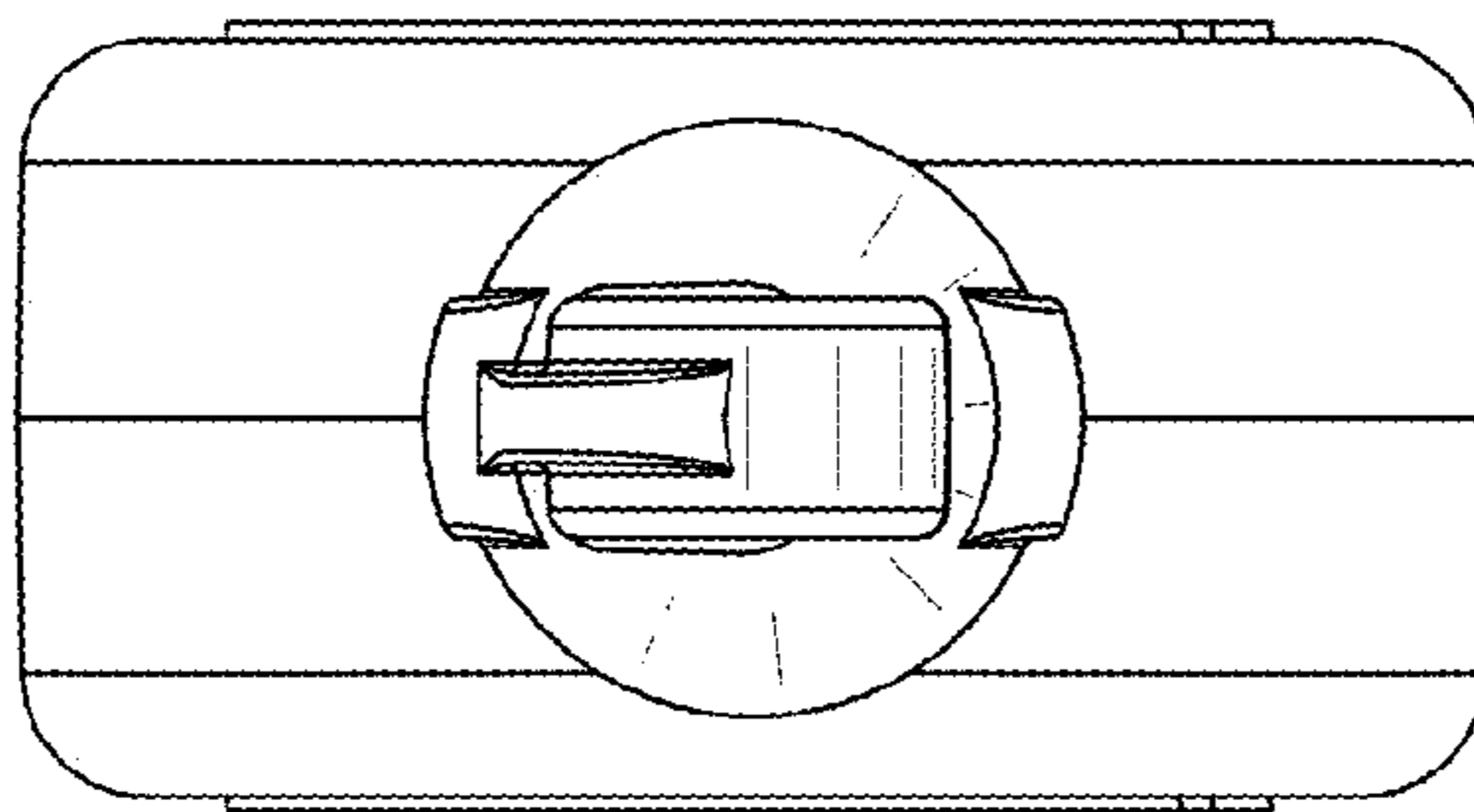


FIG. 7

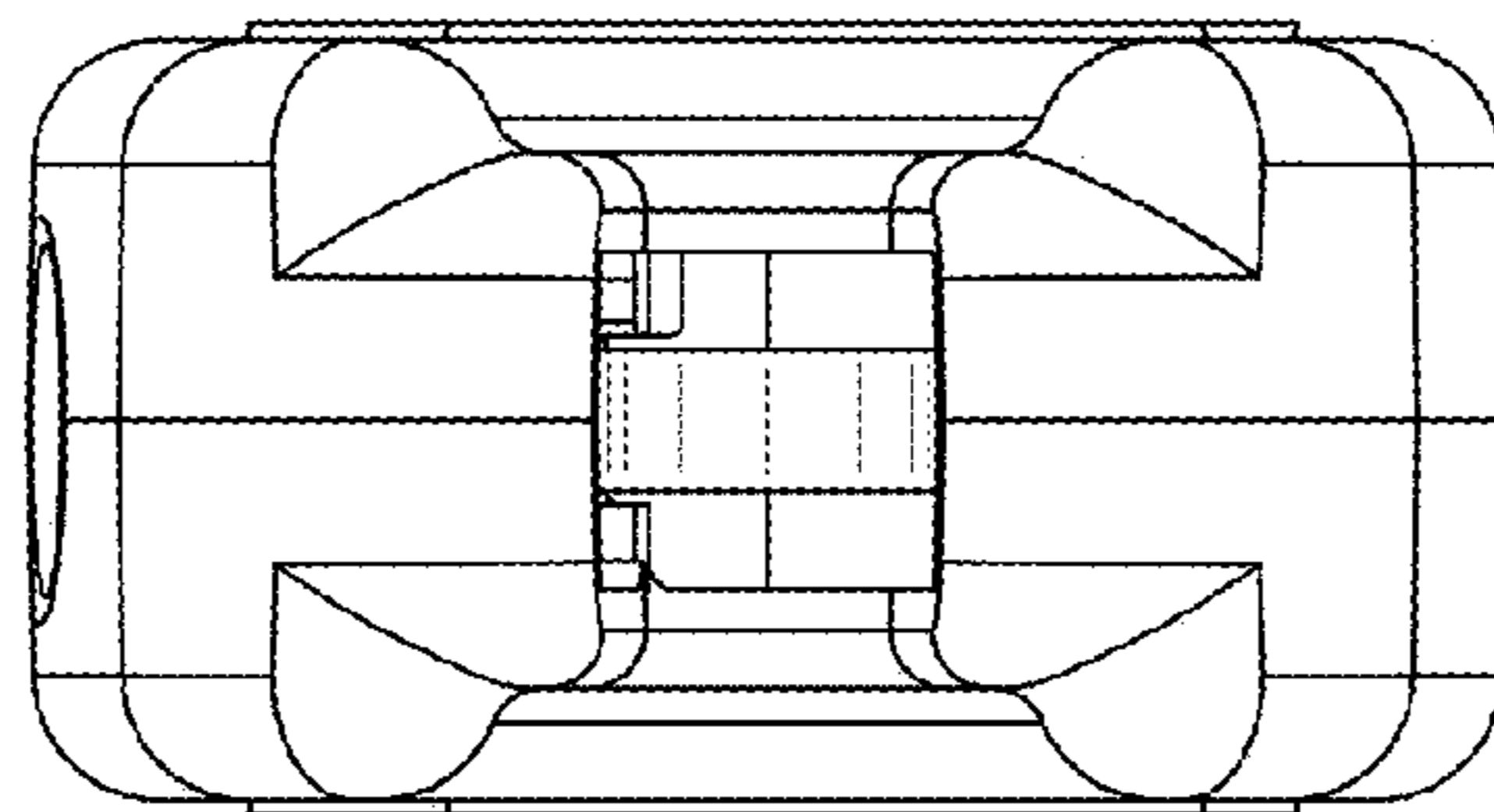


FIG. 8

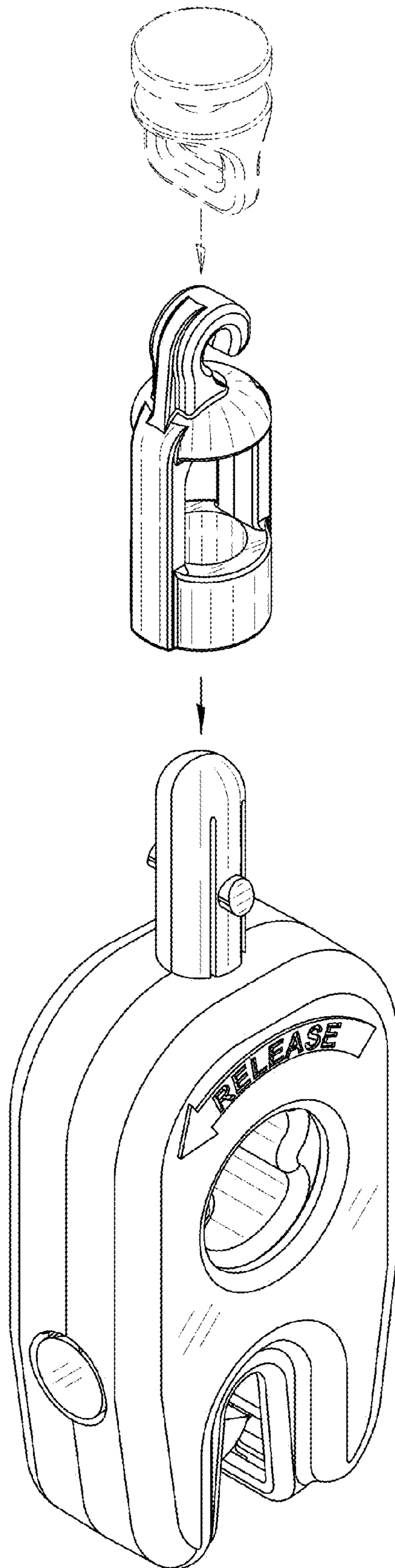


FIG. 9

