

US00D671782S

(12) **United States Design Patent**  
**Braimah et al.**

(10) **Patent No.:** **US D671,782 S**

(45) **Date of Patent:** **\*\* Dec. 4, 2012**

(54) **SEPARABLE SHOWER CURTAIN**

(76) Inventors: **Sulleyman Braimah**, Worcester, MA  
(US); **Dorcas Braimah**, Worcester, MA  
(US)

(\*\*) Term: **14 Years**

(21) Appl. No.: **29/392,824**

(22) Filed: **May 26, 2011**

(51) **LOC (9) Cl.** ..... **06-10**

(52) **U.S. Cl.** ..... **D6/575**

(58) **Field of Classification Search** ..... D6/575,  
D6/576, 577, 578, 579, 580; 160/123, 124,  
160/237, 330, 349.1; 4/558, 608, 609, 610;  
5/493; 222/106; D8/376

See application file for complete search history.

(56) **References Cited**

U.S. PATENT DOCUMENTS

D289,842	S	5/1987	Schomaker	
5,894,642	A	4/1999	Eberhardt	
6,192,965	B1	2/2001	Hinds	
6,394,168	B1	5/2002	Zoboski	
7,350,244	B1	4/2008	Handley	
7,523,778	B2 *	4/2009	Roberts et al.	160/237
7,600,274	B2 *	10/2009	Washington	4/608
7,909,082	B2 *	3/2011	Peoples	160/123
8,122,531	B2 *	2/2012	Li	4/610

D655,552	S *	3/2012	Beyda	D6/575
D655,553	S *	3/2012	Beyda	D6/575
8,127,379	B2 *	3/2012	Hardee	5/493
2007/0284058	A1	12/2007	Peoples	

\* cited by examiner

*Primary Examiner* — Susan Bennett Hattan

*Assistant Examiner* — Barbara B Lohr

(57) **CLAIM**

The ornamental design for a separable shower curtain, as shown and described.

**DESCRIPTION**

FIG. 1 is a perspective view of a separable shower curtain showing my new design;

FIG. 2 is an exploded front view thereof;

FIG. 3 is an exploded back view thereof;

FIG. 4 is an exploded side view (opposite side view is mirror image) thereof;

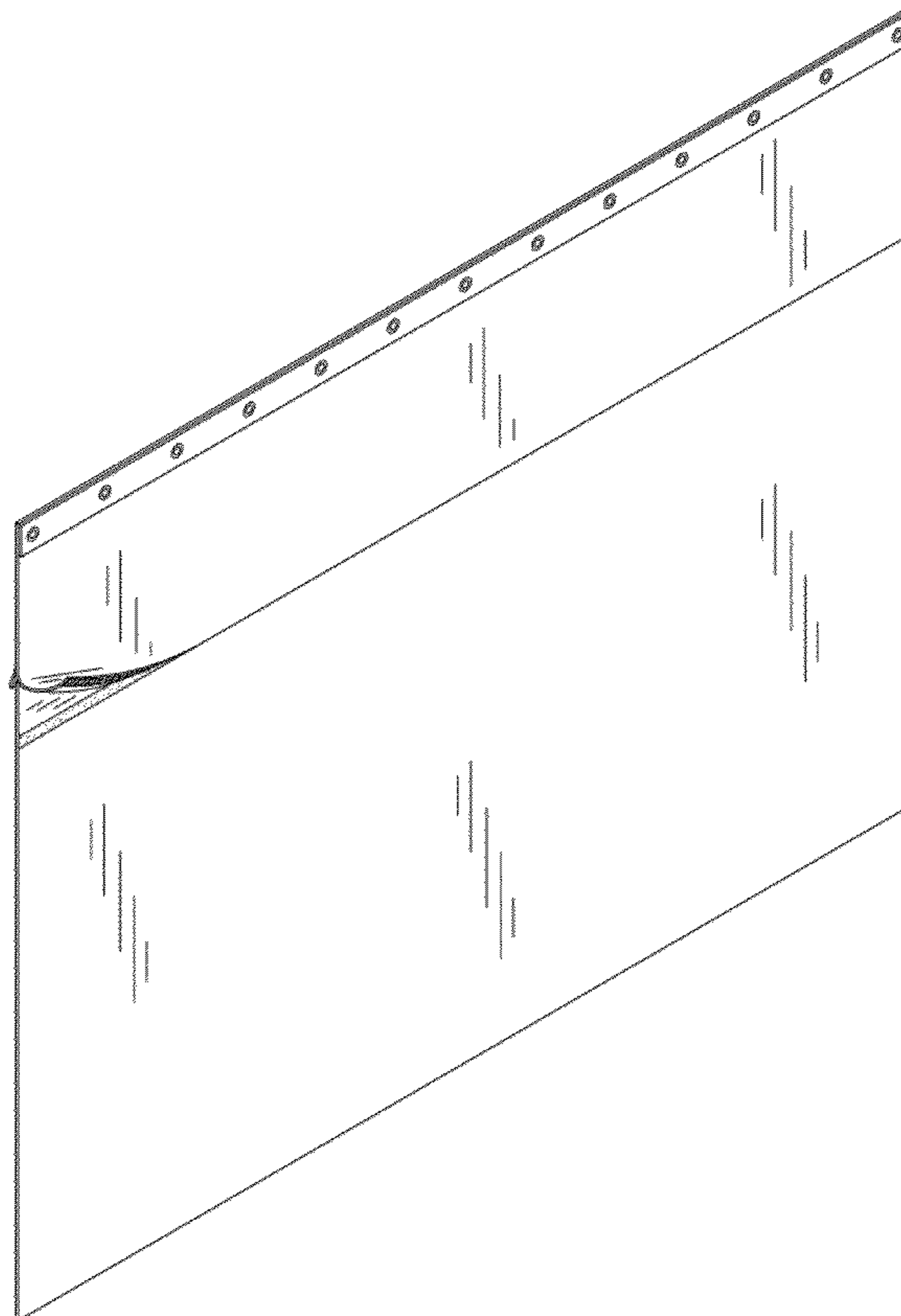
FIG. 5 is a top view thereof;

FIG. 6 is a bottom view thereof; and,

FIG. 7 is an exploded perspective view of an in-use separable shower curtain.

In FIG. 7, the broken lines showing of environmental structure for purposes of illustrating the separable shower curtain in a condition of use. The broken lines and the structure they depict form no part of the claimed design.

**1 Claim, 5 Drawing Sheets**



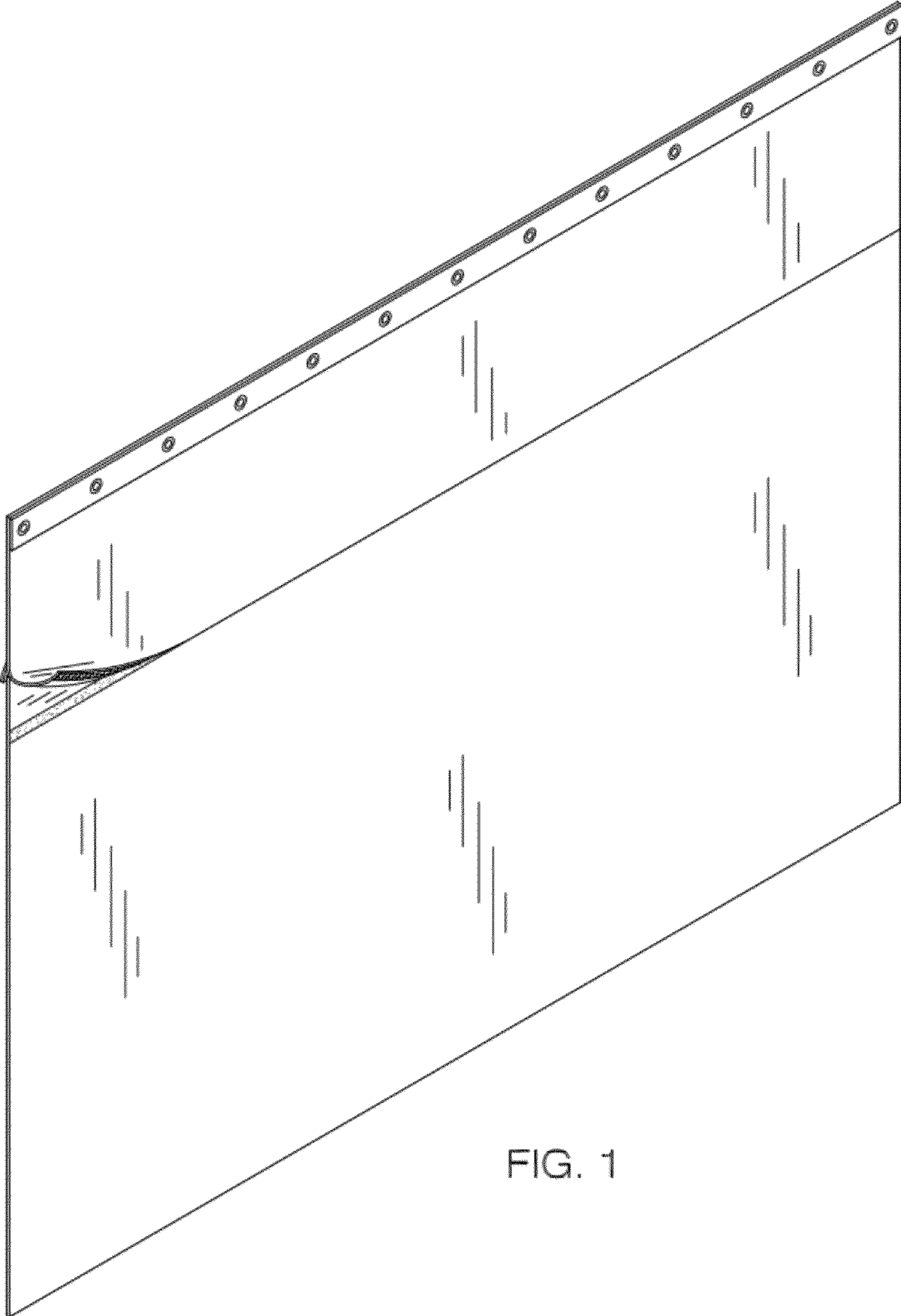


FIG. 1

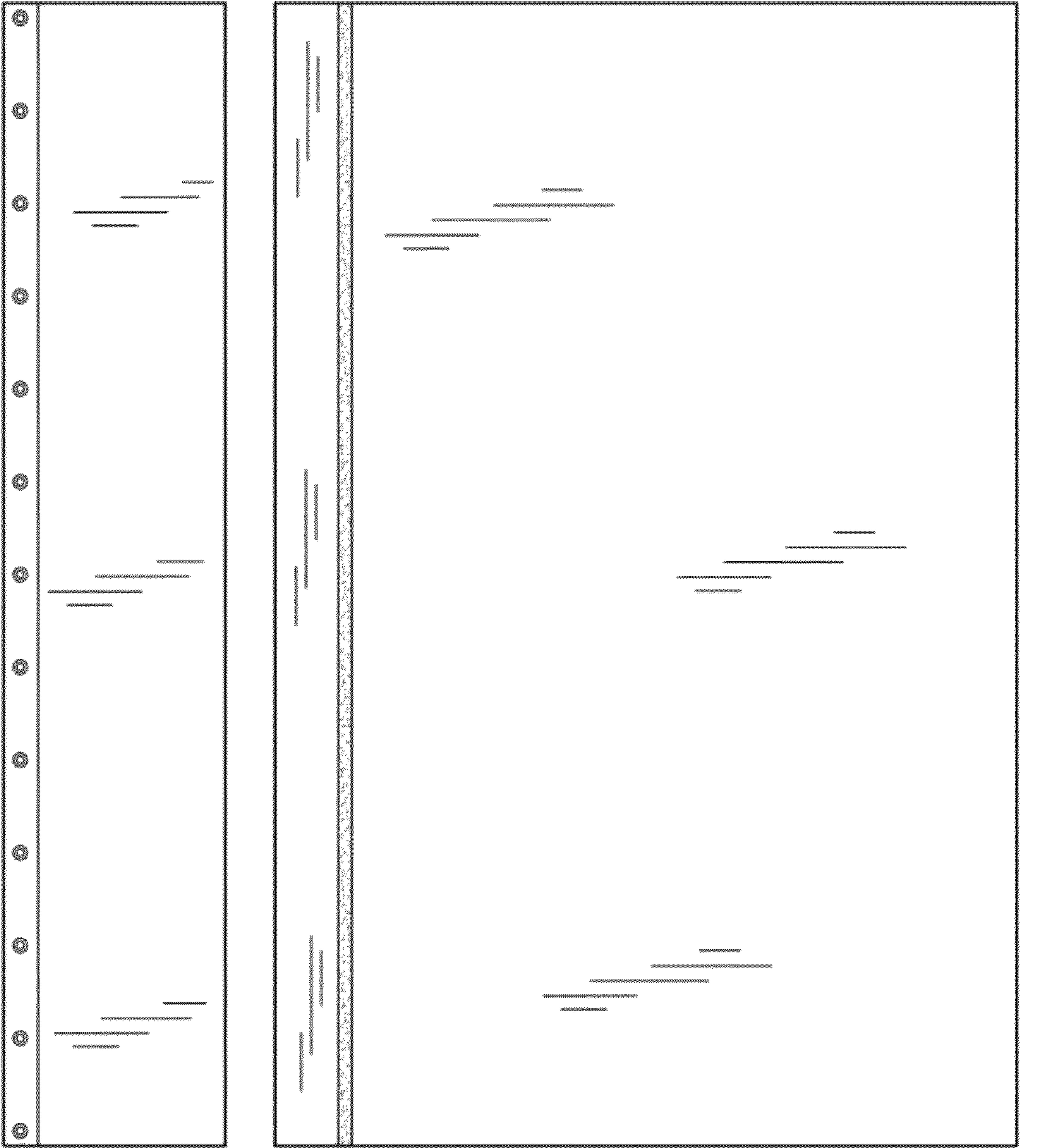


FIG. 2



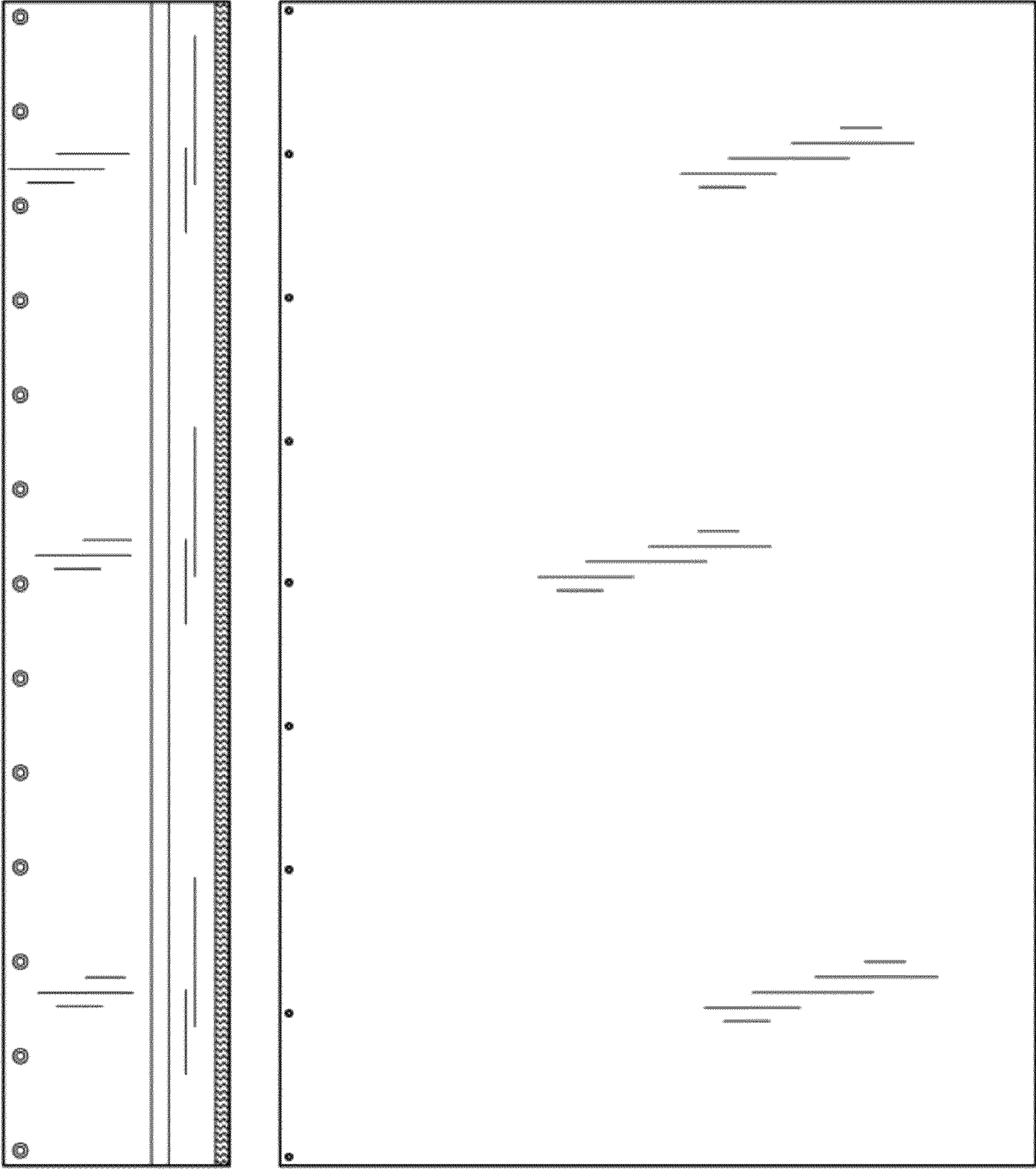


FIG. 3



FIG. 4



FIG. 5



FIG. 6

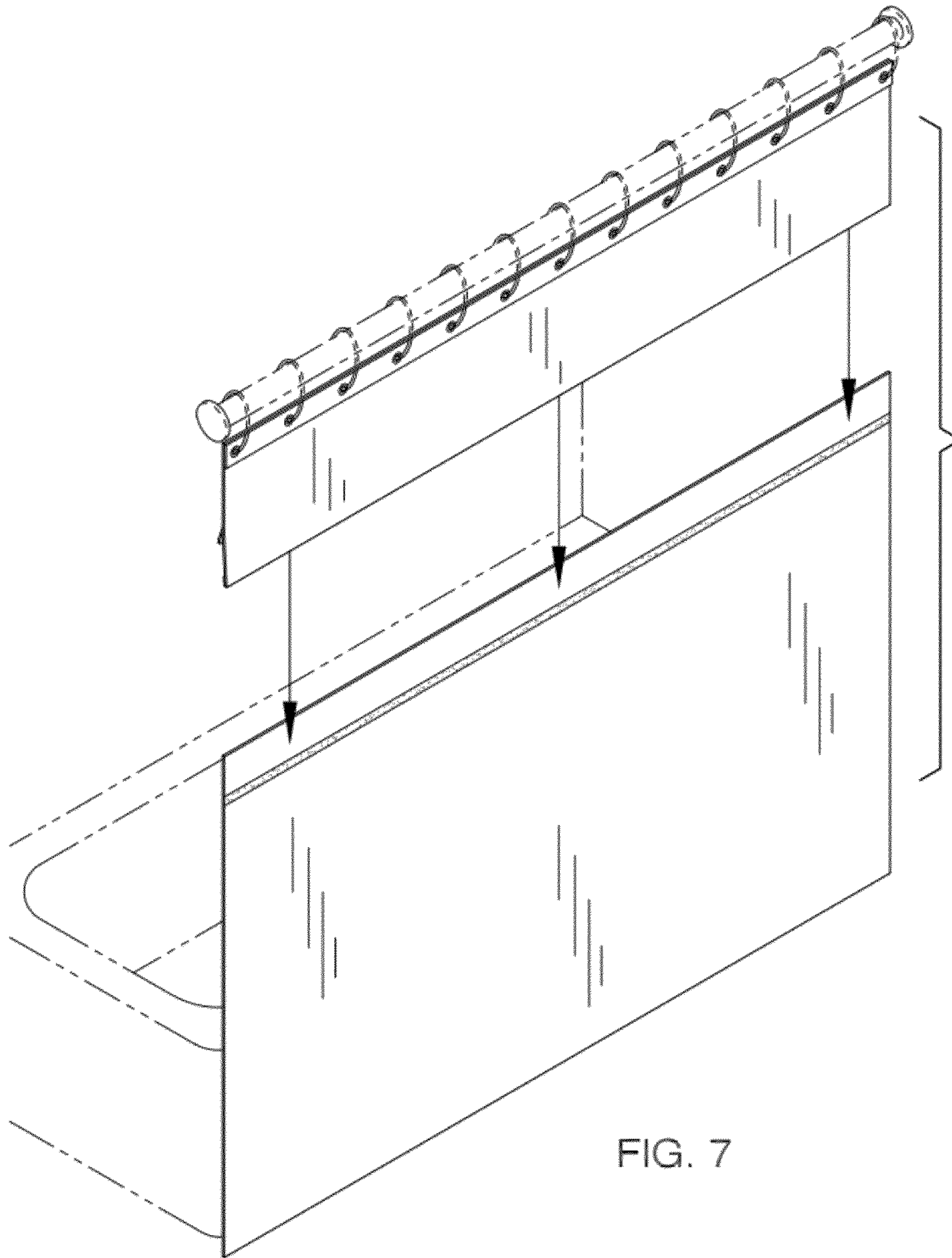


FIG. 7