



US00D671781S

(12) **United States Design Patent**
Kwok et al.

(10) **Patent No.:** **US D671,781 S**
(45) **Date of Patent:** **** Dec. 4, 2012**

(54) **SHELF**

(75) Inventors: **Celine Kwok**, Indianapolis, IN (US);
Sara Linginfelter, Indianapolis, IN (US)

(73) Assignee: **Masco Corporation of Indiana**,
Indianapolis, IN (US)

(**) Term: **14 Years**

(21) Appl. No.: **29/418,105**

(22) Filed: **Apr. 12, 2012**

(51) **LOC (9) Cl.** **06-04**

(52) **U.S. Cl.** **D6/574**

(58) **Field of Classification Search** D6/518-524,
D6/548-550, 574; D8/300, 303, 315-321,
D8/349, 354, 363, 373, 380; 108/28-29;
211/13.1, 16, 60.1, 100, 86.01, 87.01, 88.01,
211/88.04, 105.1-105.2, 123, 182, 181.1;
248/176, 176.1, 251, 302, 309.1; 16/110.1,
16/412, 415; 242/570, 590, 595-598

See application file for complete search history.

(56) **References Cited**

U.S. PATENT DOCUMENTS

D501,622	S	*	2/2005	Hoernig	D6/574
D514,858	S	*	2/2006	Hoernig	D6/574
D553,408	S	*	10/2007	Kubota	D6/553
D559,602	S	*	1/2008	Bickler et al.	D6/549
D570,146	S	*	6/2008	Bickler et al.	D6/574
D577,239	S	*	9/2008	Krumpe et al.	D6/574

* cited by examiner

Primary Examiner — Brian N Vinson

(74) *Attorney, Agent, or Firm* — Edgar A. Zarins; Nirav D. Parikh; Lora J. Graentzdoerffer

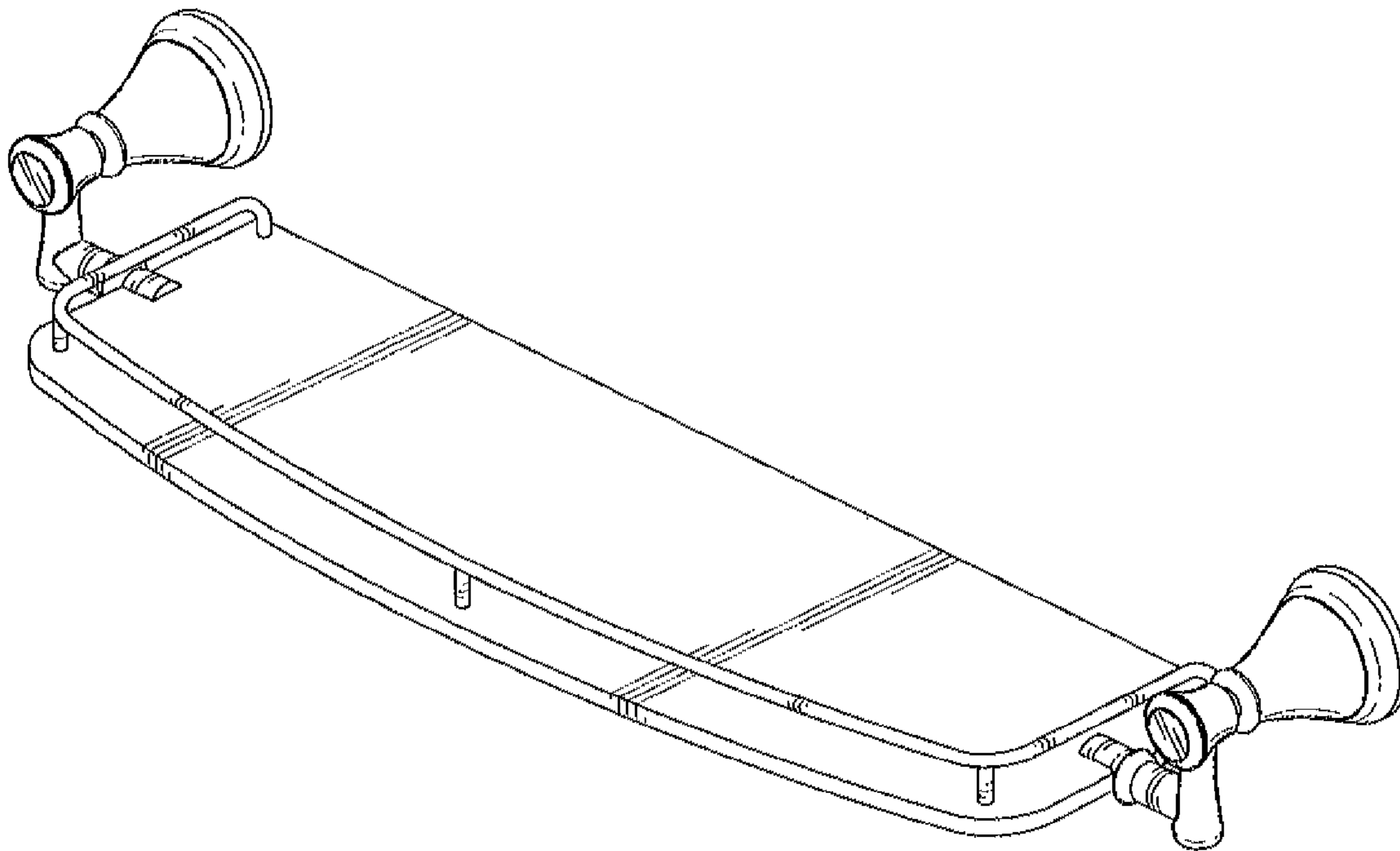
(57) **CLAIM**

The ornamental design for a shelf, as shown and described.

DESCRIPTION

FIG. 1 is a perspective view of a shelf showing our new design;
FIG. 2 is a front elevational view thereof;
FIG. 3 is a rear view thereof;
FIG. 4 is a top plan view thereof;
FIG. 5 is a bottom view thereof;
FIG. 6 is a right side view thereof; and,
FIG. 7 is a left side view thereof.

1 Claim, 2 Drawing Sheets



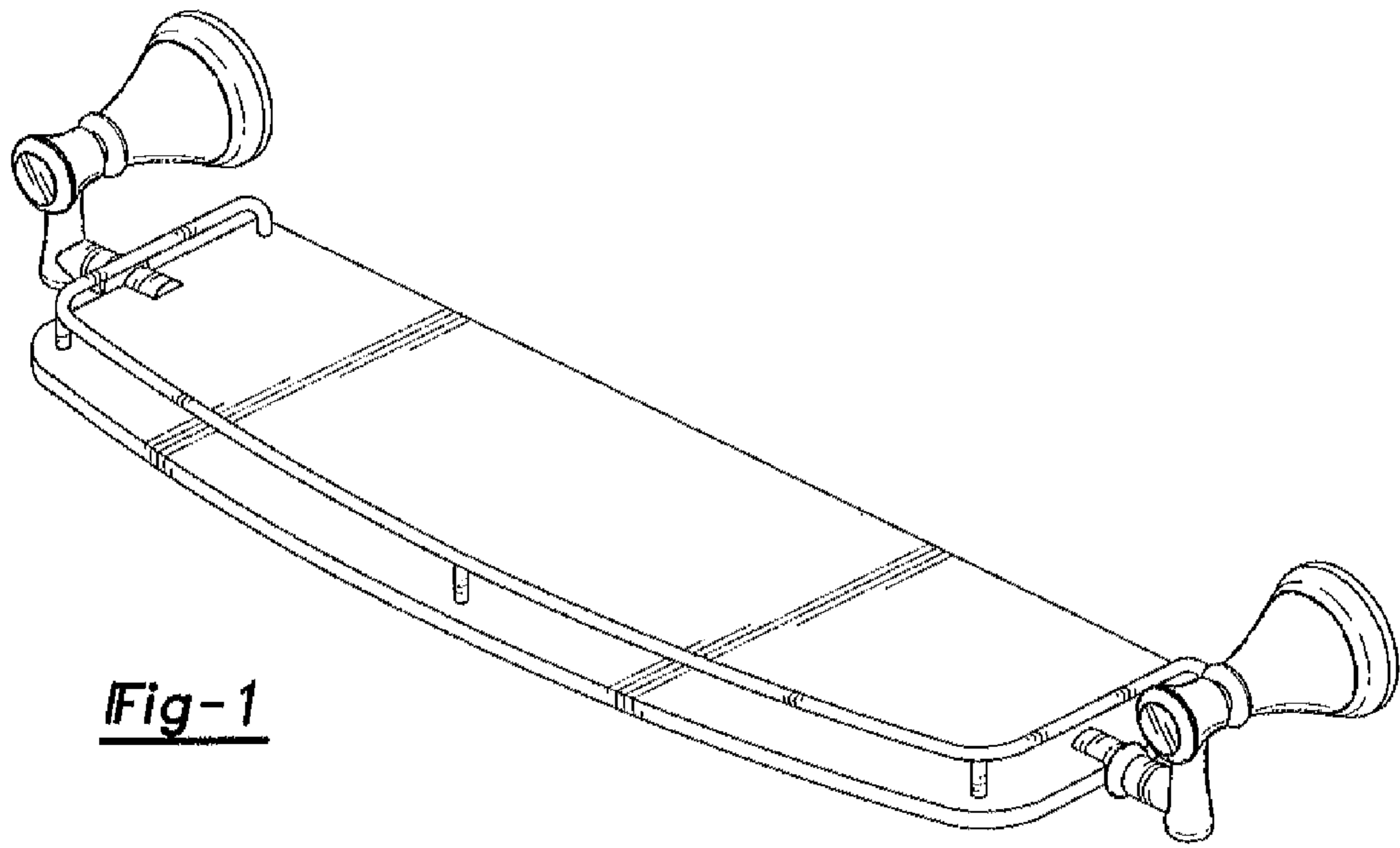


Fig-1

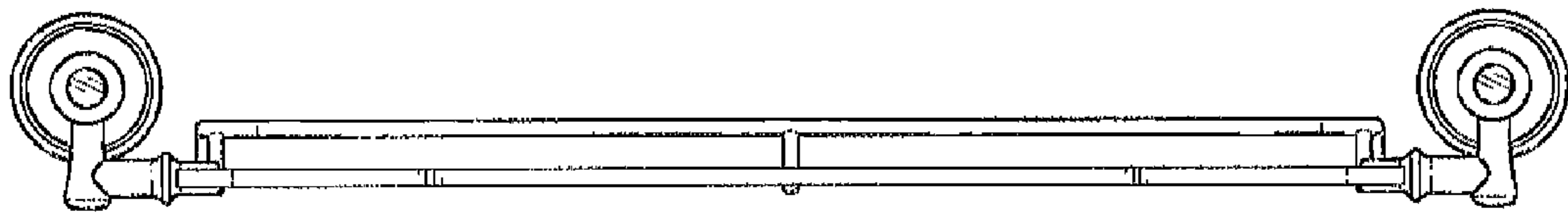


Fig-2

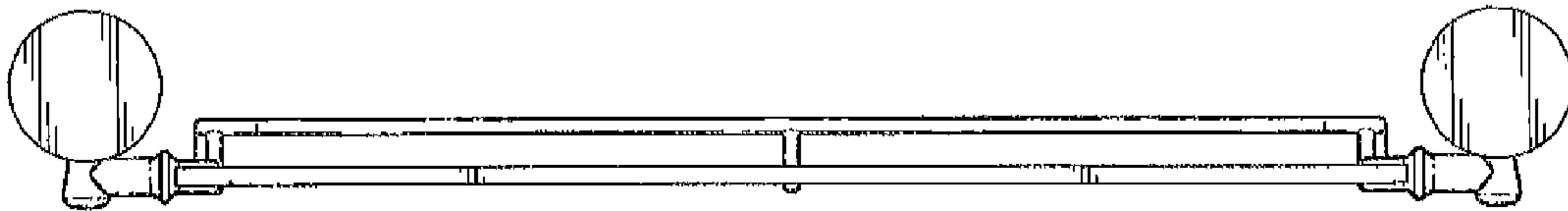


Fig-3

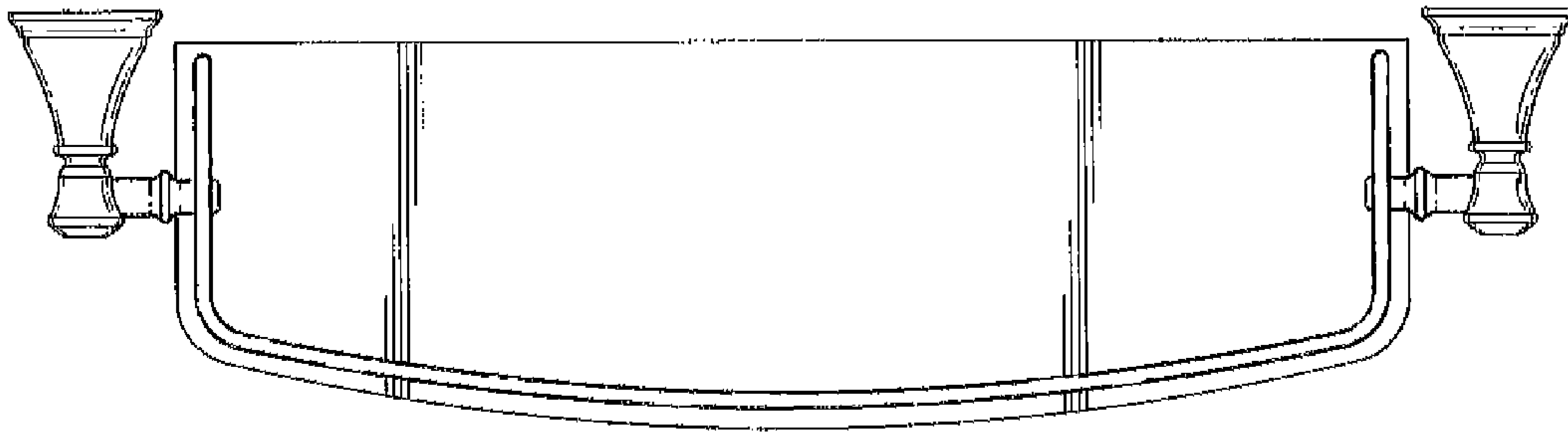


Fig-4

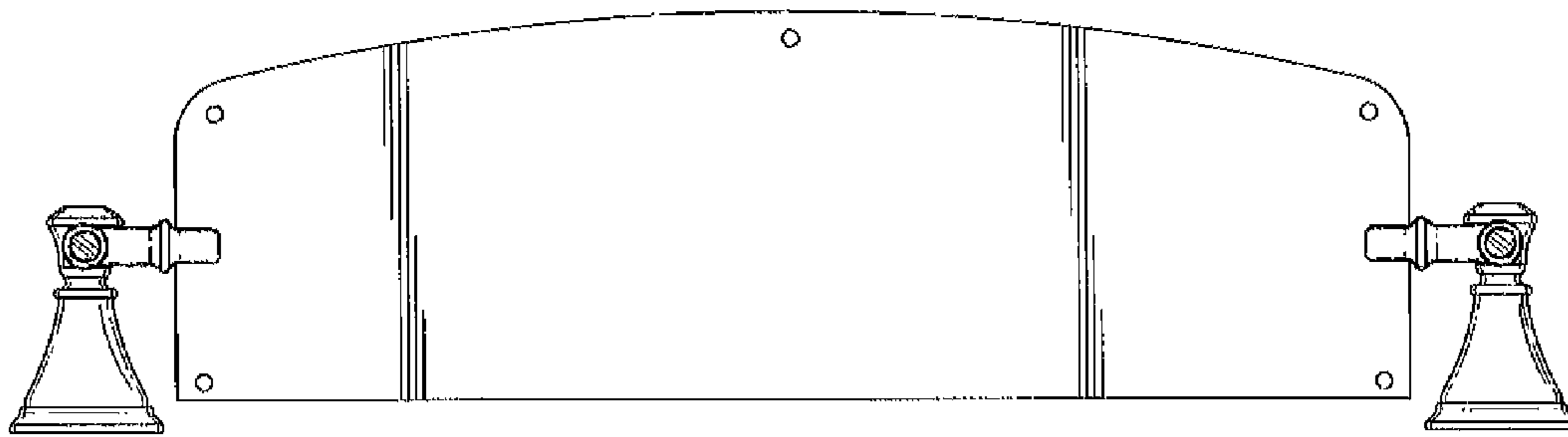


Fig-5

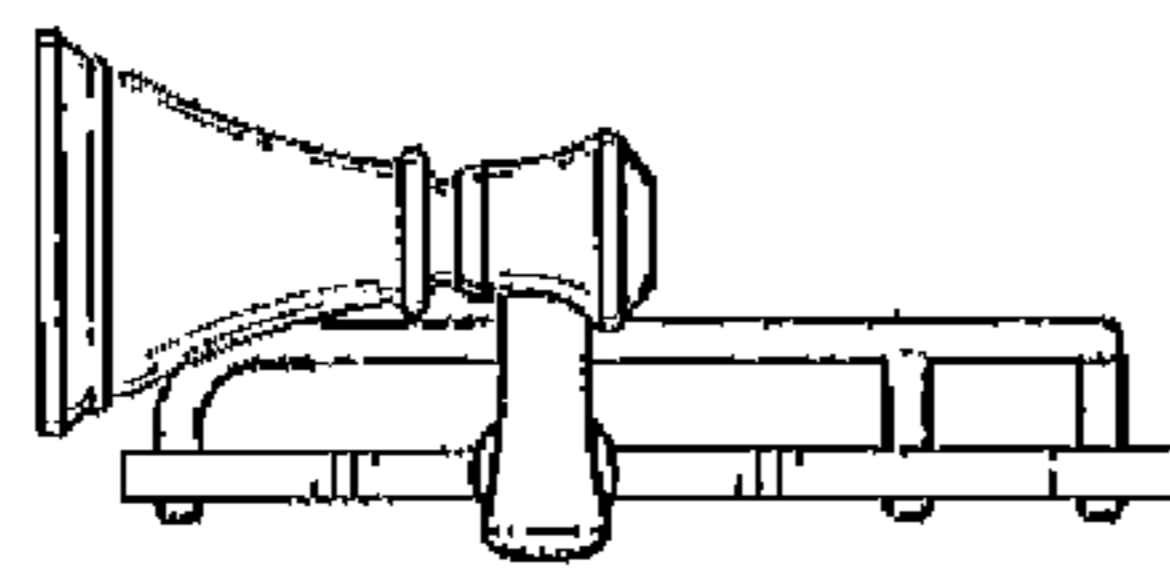


Fig-6

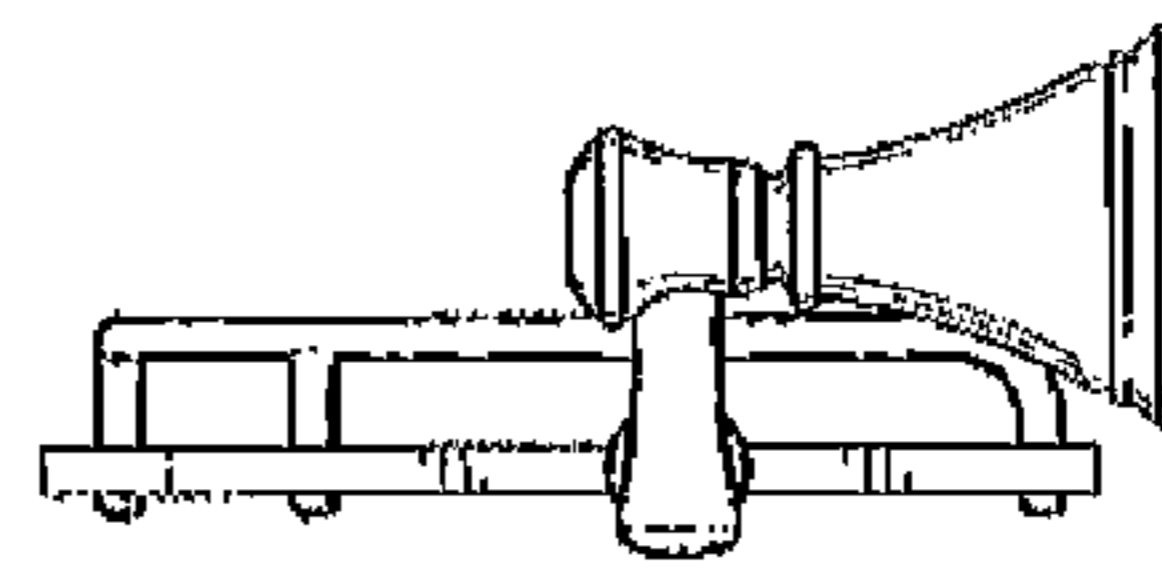


Fig-7