



US00D671779S

(12) **United States Design Patent**  
**Kozak et al.**

(10) **Patent No.:** **US D671,779 S**  
(45) **Date of Patent:** **\*\* Dec. 4, 2012**

- (54) **PRODUCT DISPLAY RACK**
- (75) Inventors: **Burton Kozak**, Chicago, IL (US); **Ira Kozak**, Riverwoods, IL (US)
- (73) Assignee: **Eazypower Corporation**, Chicago, IL (US)
- (\*\*) Term: **14 Years**
- (21) Appl. No.: **29/381,636**
- (22) Filed: **Dec. 21, 2010**

**Related U.S. Application Data**

- (63) Continuation of application No. 29/353,473, filed on Jan. 8, 2010, now Pat. No. Des. 636,203.
- (51) **LOC (9) Cl.** ..... **06-04**
- (52) **U.S. Cl.** ..... **D6/566**
- (58) **Field of Classification Search** ..... D6/512-514, D6/566, 553, 567, 569, 315, 320, 327; D8/349, D8/354, 367, 372; 248/301-304, 309.1, 248/309.2; 211/13.1, 30, 32, 70.6, 56.01, 211/87.01, 181.1  
See application file for complete search history.

**References Cited**

**U.S. PATENT DOCUMENTS**

- D457,014 S \* 5/2002 Miller ..... D6/566
- D462,220 S \* 9/2002 Battaglia et al. .... D6/566

- D533,002 S \* 12/2006 Recknagel et al. .... D6/566
- D533,745 S \* 12/2006 Rodrigue ..... D6/566
- D547,955 S \* 8/2007 Johnson et al. .... D6/566

\* cited by examiner

*Primary Examiner* — Brian N Vinson

(74) *Attorney, Agent, or Firm* — Factor Intellectual Property Law Group

(57) **CLAIM**

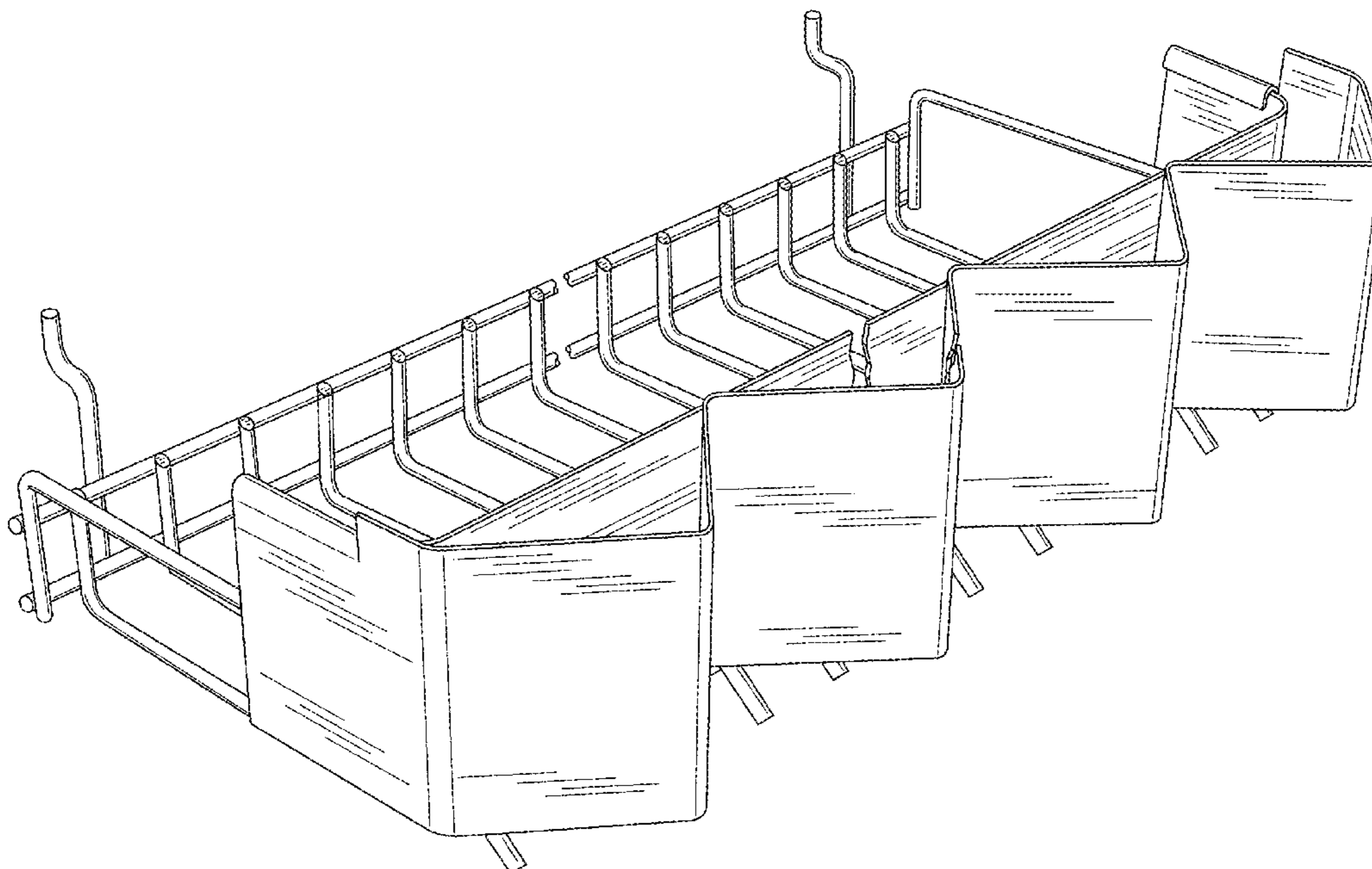
The ornamental design of a product display rack, as shown.

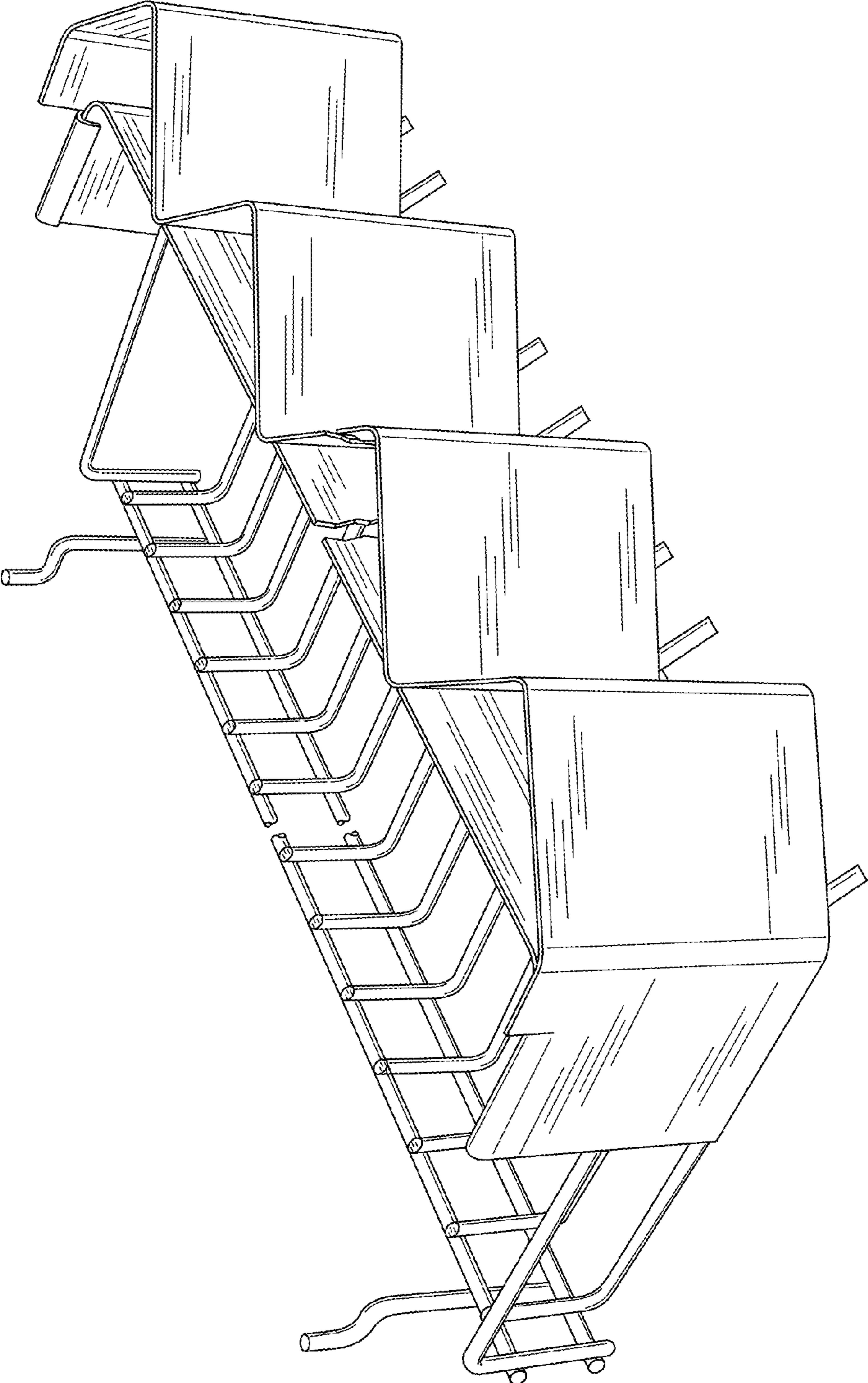
**DESCRIPTION**

FIG. 1 is an isometric view from the front and to one side of a first embodiment of a product display rack;  
 FIG. 2 is an isometric view from the back and to one side of the product display rack of FIG. 1;  
 FIG. 3 is a side elevation view of the left side of the product display rack of FIG. 1 (when viewed from the front);  
 FIG. 4 is a front elevation view of the product display rack of FIG. 1;  
 FIG. 5 is a side elevation view of the right side of the product display rack of FIG. 1;  
 FIG. 6 is a rear elevation view of the product display rack of FIG. 1;  
 FIG. 7 is a top plan view of the product display rack of FIG. 1; and,  
 FIG. 8 is a bottom plan view of the product display rack of FIG. 1.

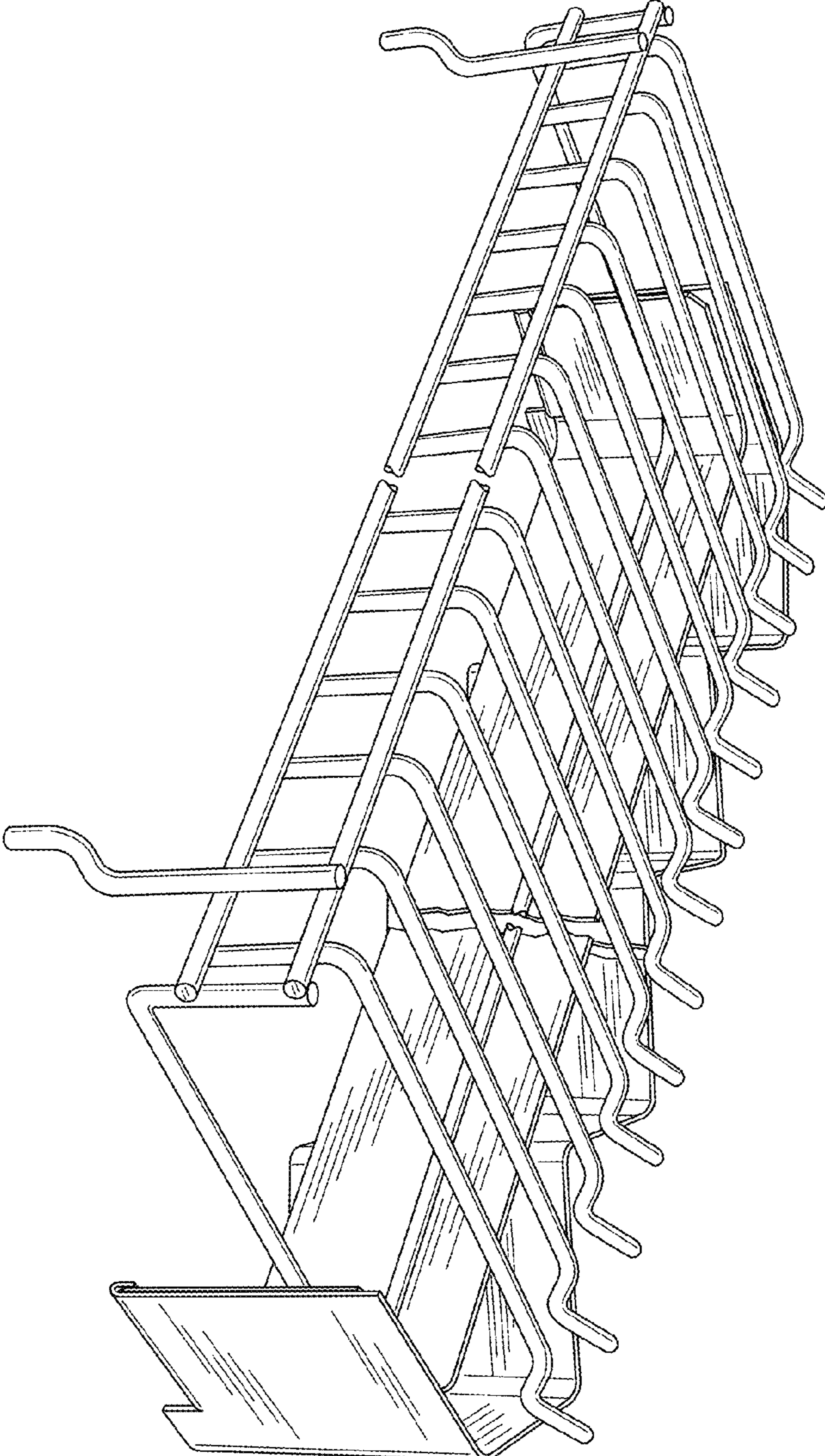
The claimed design is shown broken away in its horizontal dimension to indicate that the rack can be of variable length.

**1 Claim, 6 Drawing Sheets**



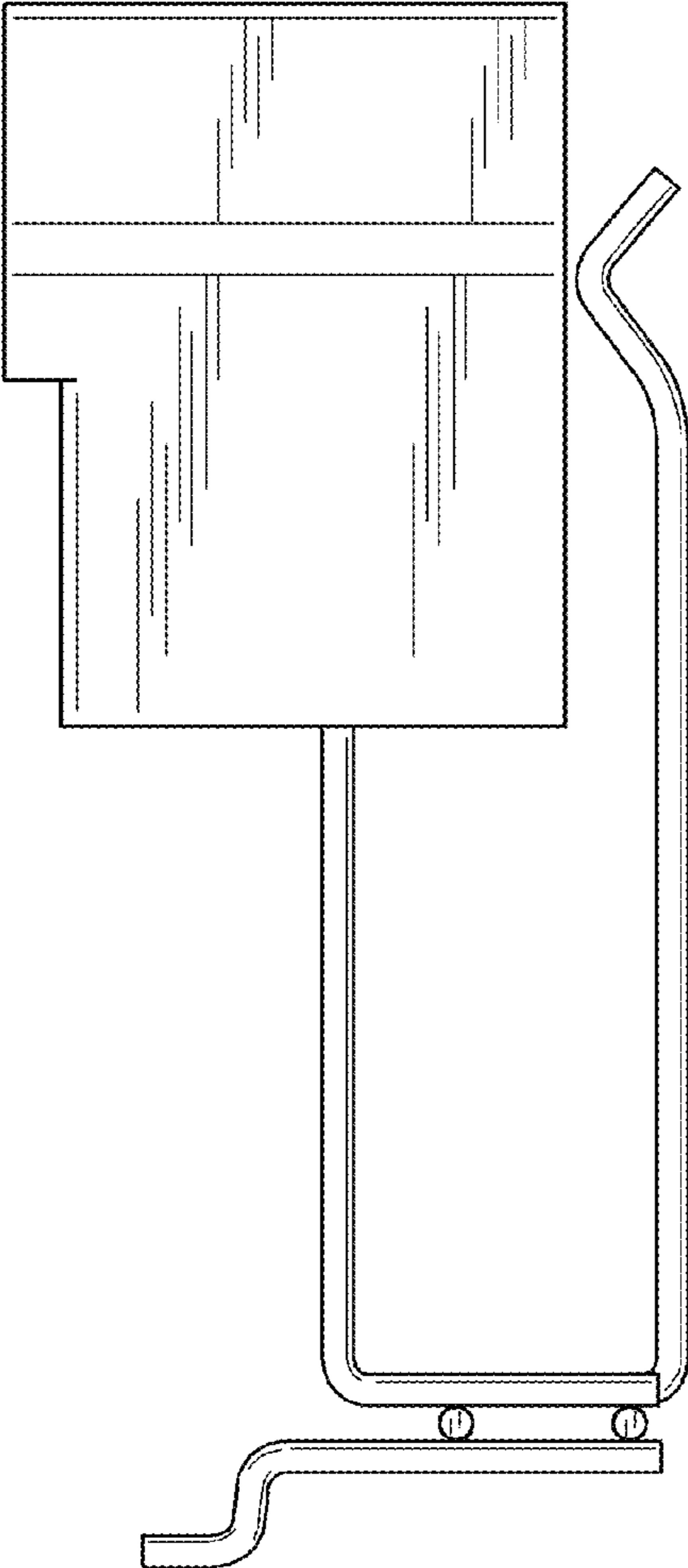


**FIG. 1**

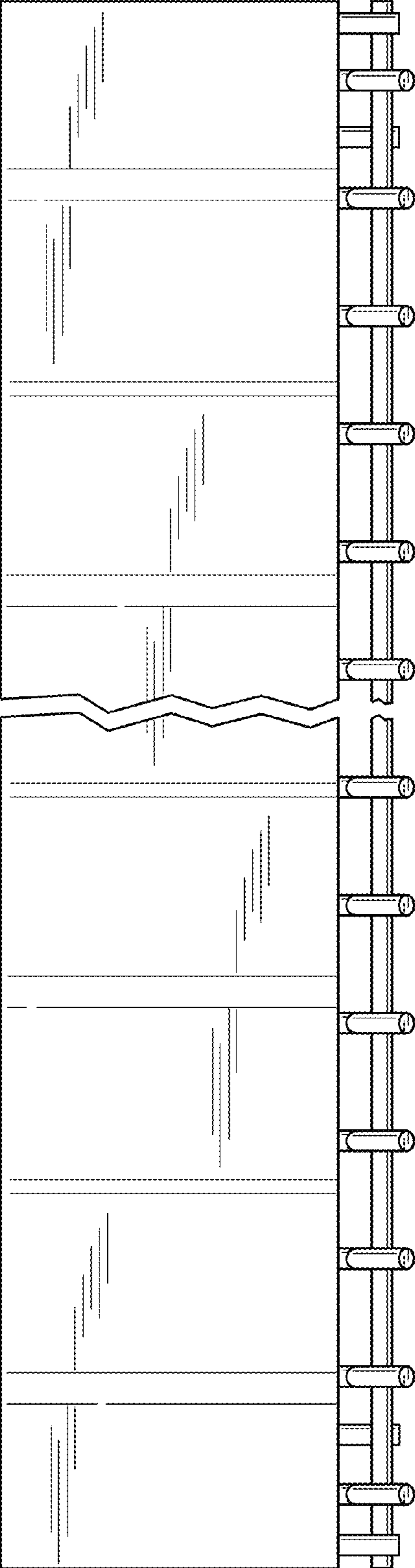


**FIG. 2**

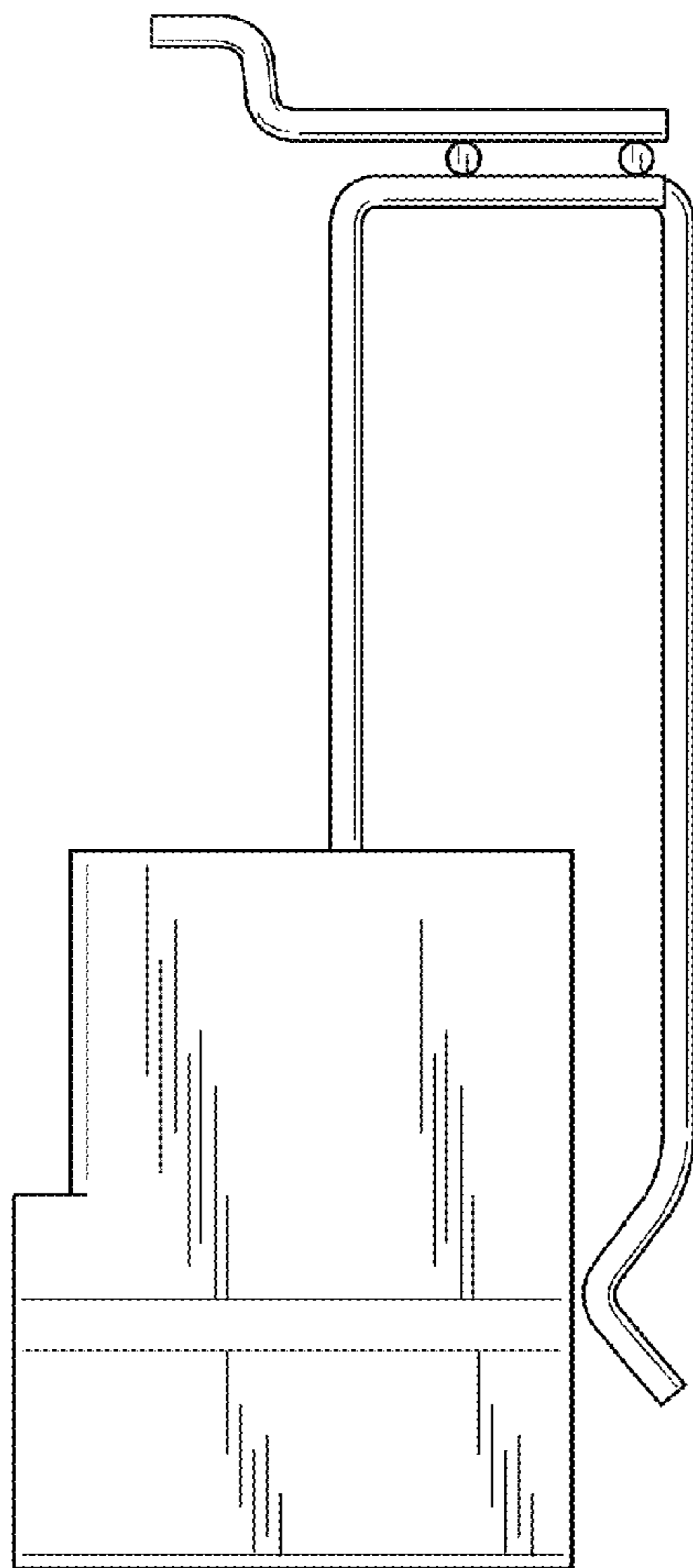




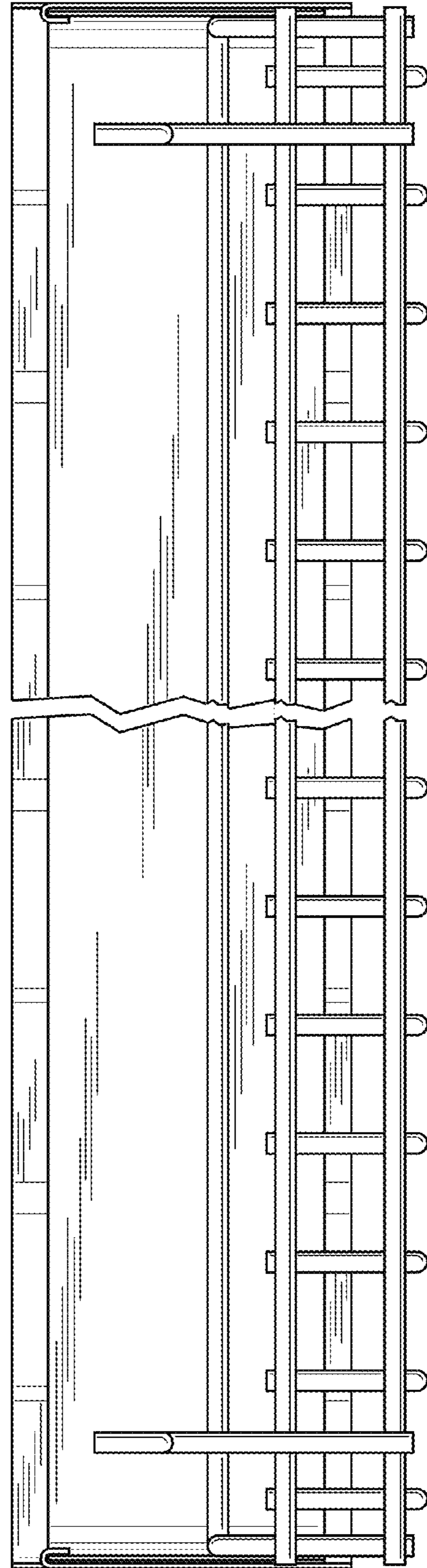
**FIG. 3**



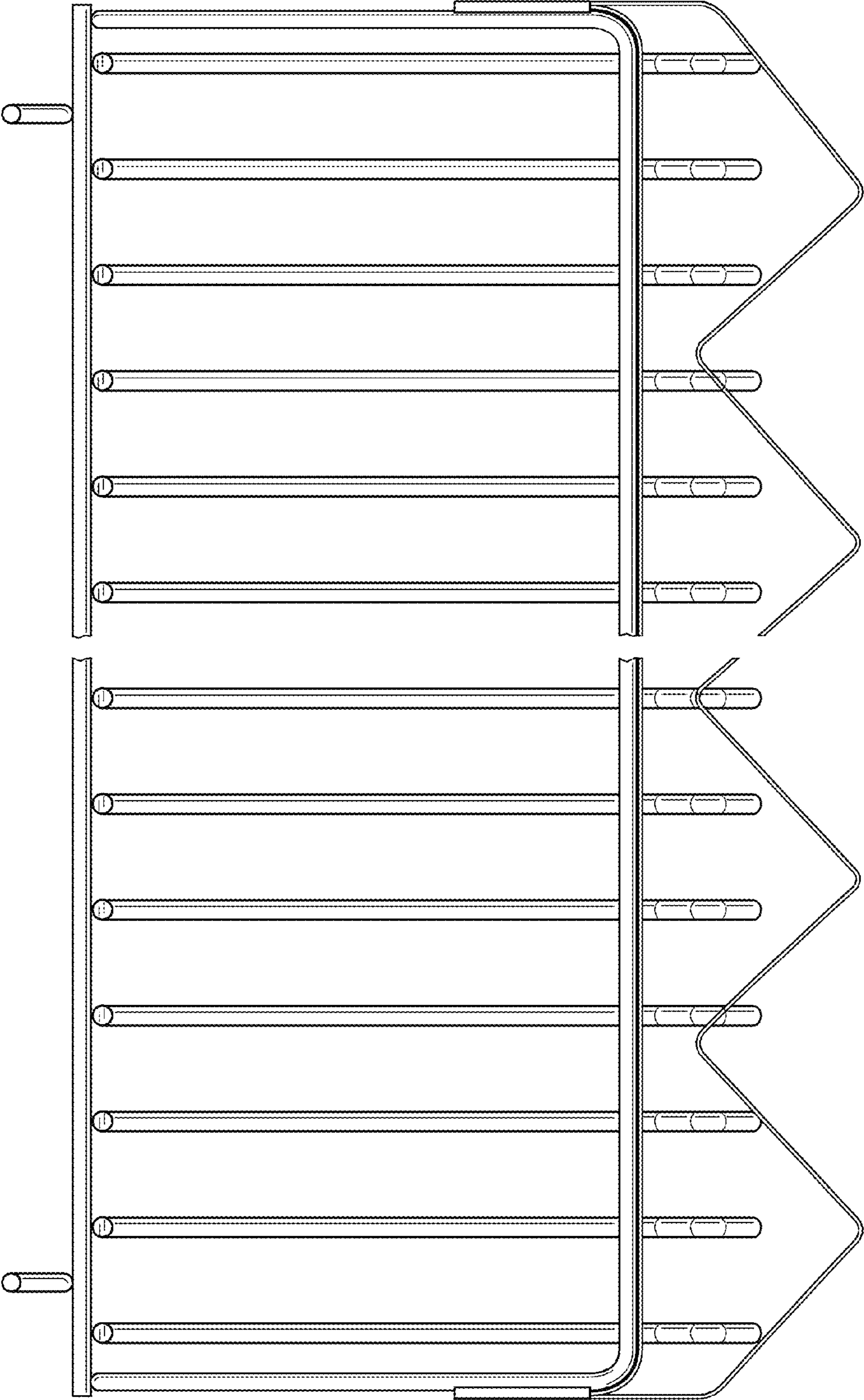
**FIG. 4**



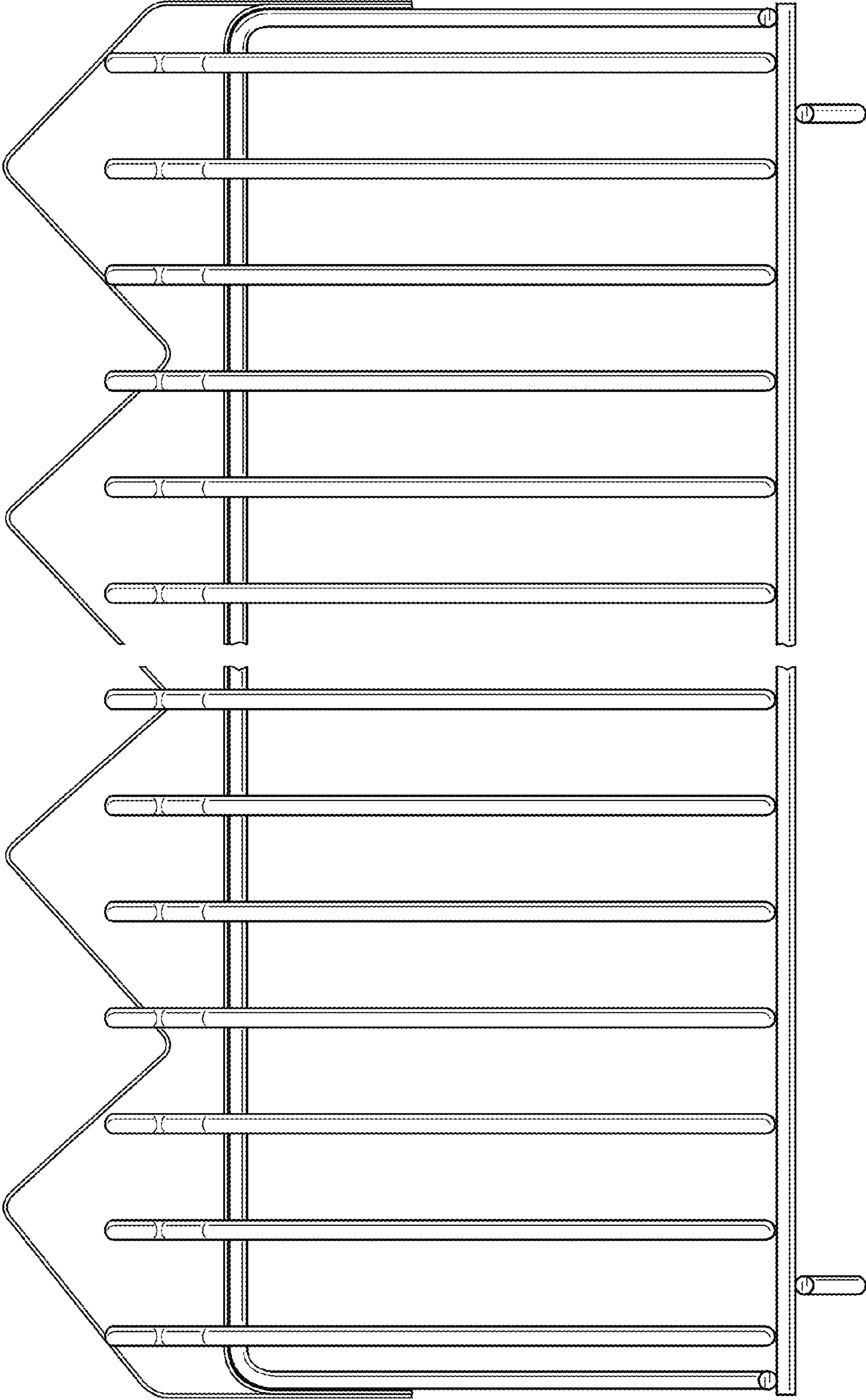
**FIG. 5**



**FIG. 6**



**FIG. 7**



**FIG. 8**