



US00D671772S

(12) **United States Design Patent**  
**Lee et al.**

(10) **Patent No.:** **US D671,772 S**  
(45) **Date of Patent:** **\*\* Dec. 4, 2012**

- (54) **TABLE**
- (75) Inventors: **Steve Lee**, Park Ridge, IL (US); **Chris Daisy**, Chicago, IL (US)
- (73) Assignee: **eFurn Holdings, LLC**, Elk Grove Village, IL (US)
- (\*\*) Term: **14 Years**
- (21) Appl. No.: **29/396,377**
- (22) Filed: **Jun. 29, 2011**
- (51) **LOC (9) Cl.** ..... **06-03**
- (52) **U.S. Cl.** ..... **D6/486**
- (58) **Field of Classification Search** ..... D6/480-489,  
D6/495-499, 429, 349; 108/150, 153.1,  
108/156, 157, 161; 248/188, 118.1, 188.5,  
248/188.7, 188.8  
See application file for complete search history.

- D267,139 S \* 12/1982 Hanaford ..... D6/486
- D437,512 S \* 2/2001 Simmons ..... D6/488
- D447,893 S \* 9/2001 Simonelli et al. .... D6/486
- D581,705 S \* 12/2008 Li ..... D6/486
- D609,512 S \* 2/2010 Lowsky ..... D6/511
- D621,641 S \* 8/2010 Li ..... D6/486

\* cited by examiner

*Primary Examiner* — Janice Seeger

(74) *Attorney, Agent, or Firm* — Pauley Petersen & Erickson

(57) **CLAIM**

The ornamental design for a table, as shown.

**DESCRIPTION**

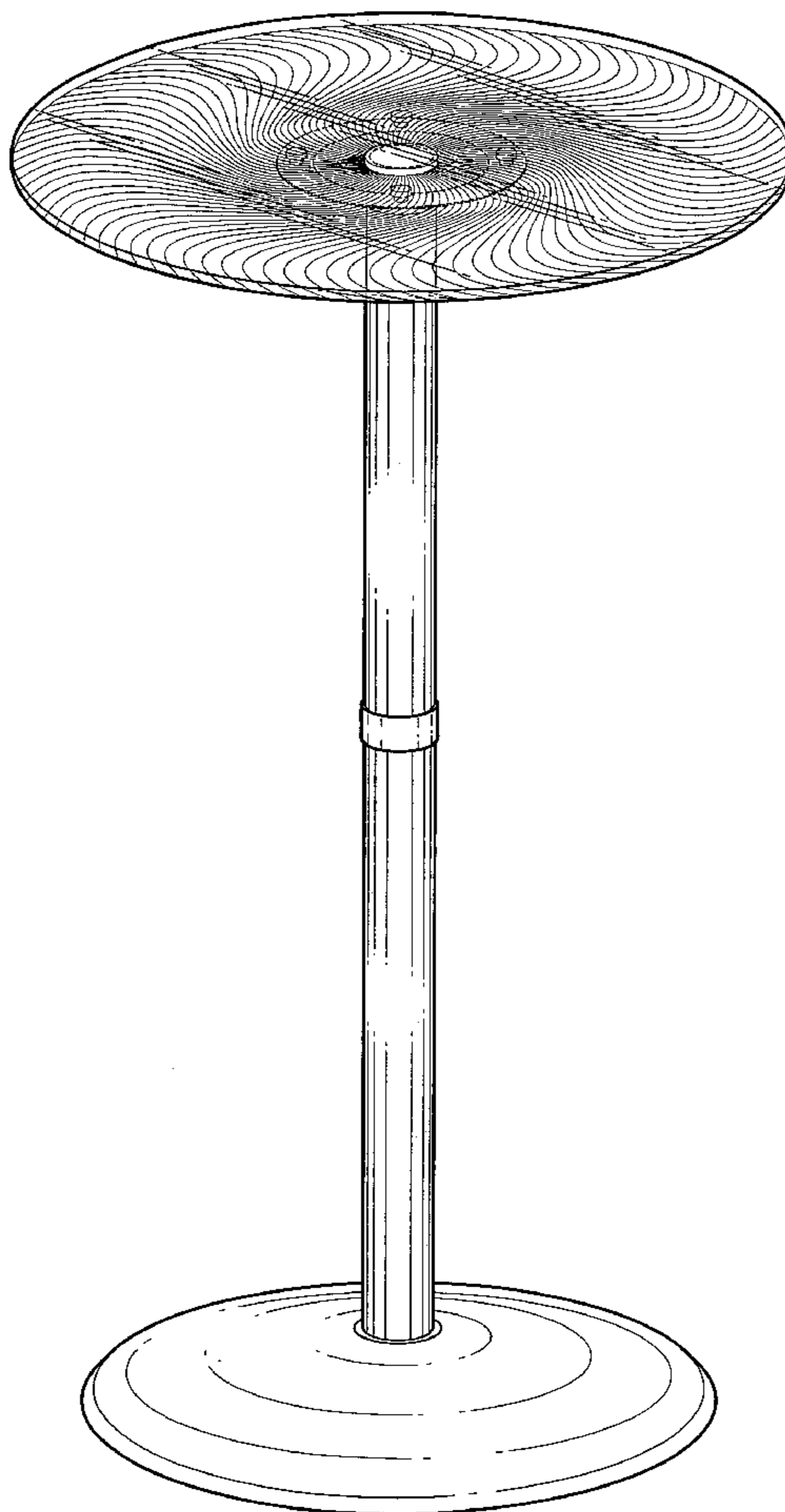
FIG. 1 is a front perspective view of a table, according to one embodiment of this invention;  
 FIG. 2 is a top view of the table, as shown in FIG. 1;  
 FIG. 3 is a front view of the table, as shown in FIG. 1;  
 FIG. 4 is a back view of the table, as shown in FIG. 1;  
 FIG. 5 is a side view of the table, as shown in FIG. 1; and,  
 FIG. 6 is a bottom view of the table, as shown in FIG. 1.  
 The broken lines in the drawings are for illustrative purposes only and form no part of the claimed design.

**1 Claim, 6 Drawing Sheets**

(56) **References Cited**

U.S. PATENT DOCUMENTS

- D178,169 S \* 7/1956 Collins ..... D6/488
- D254,763 S \* 4/1980 Crespi ..... D6/430



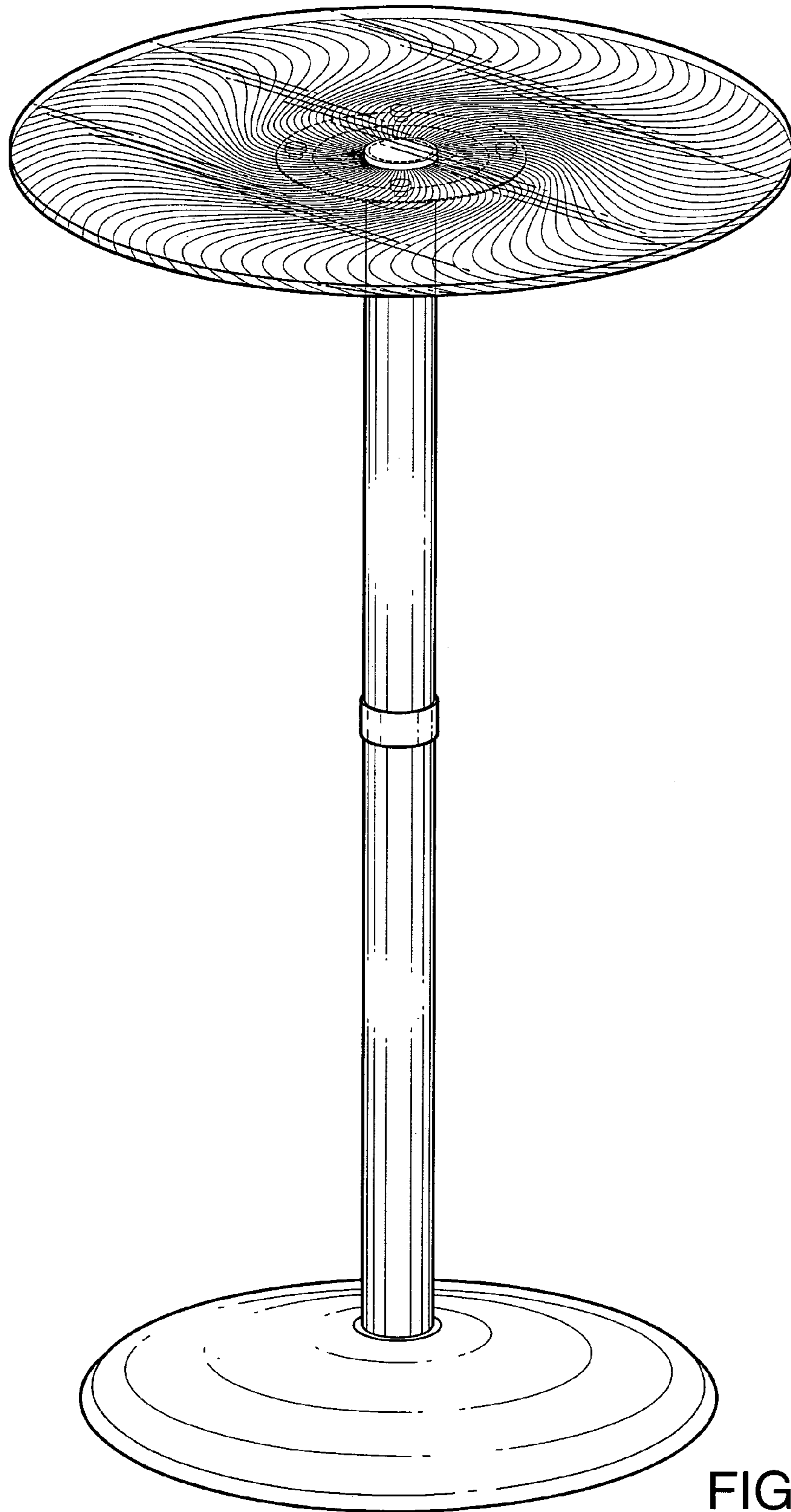


FIG. 1

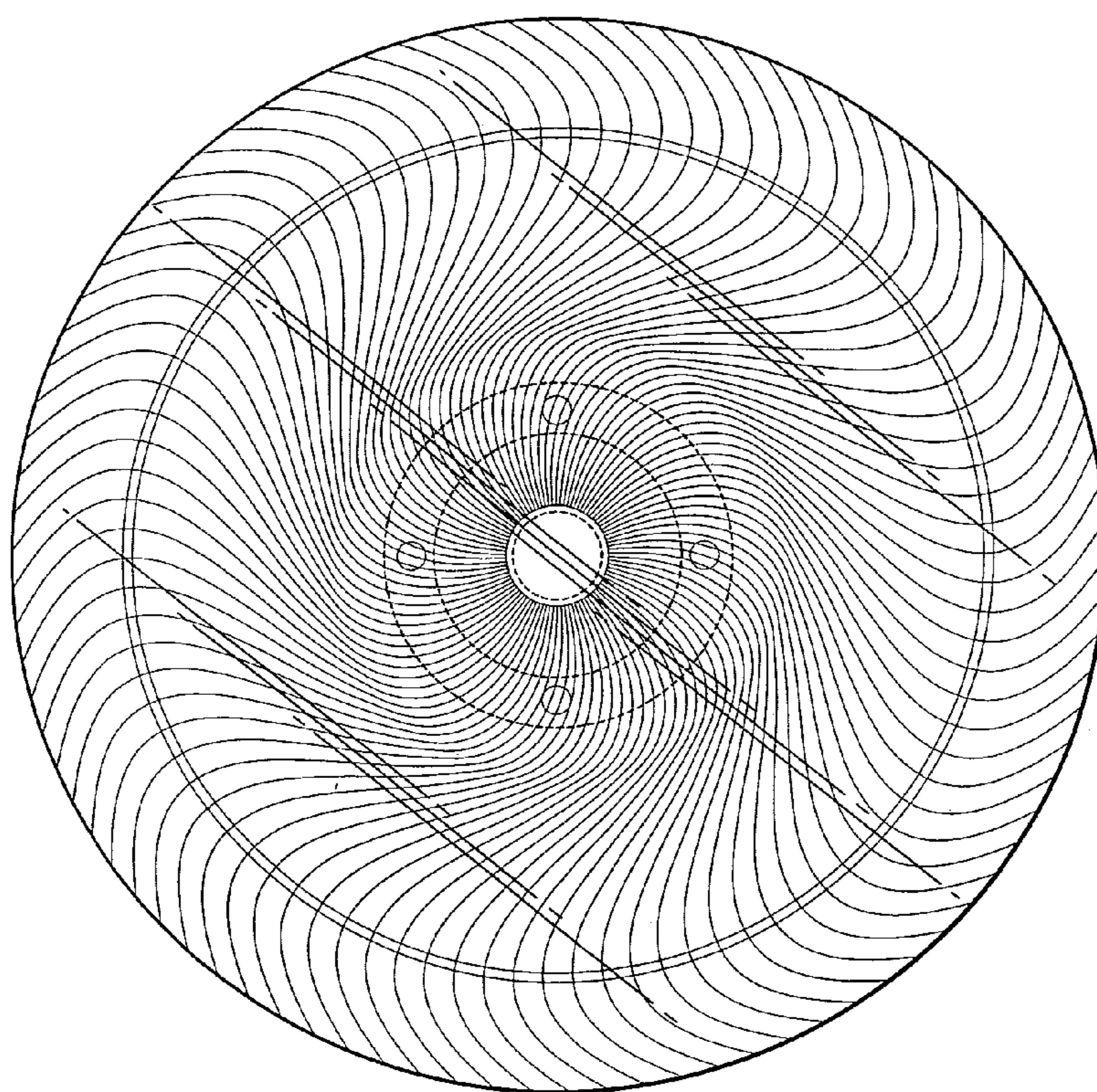


FIG. 2

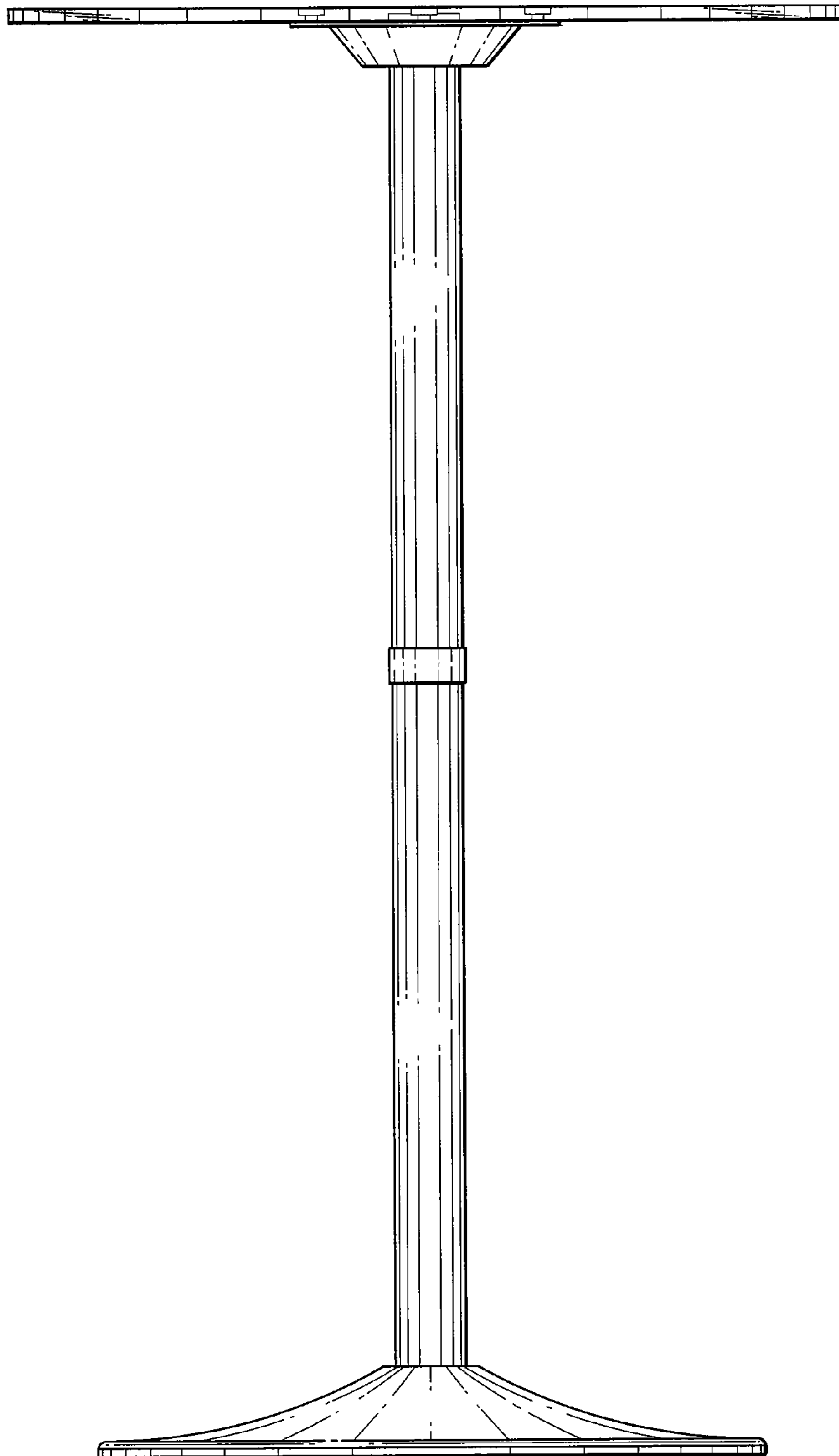


FIG. 3



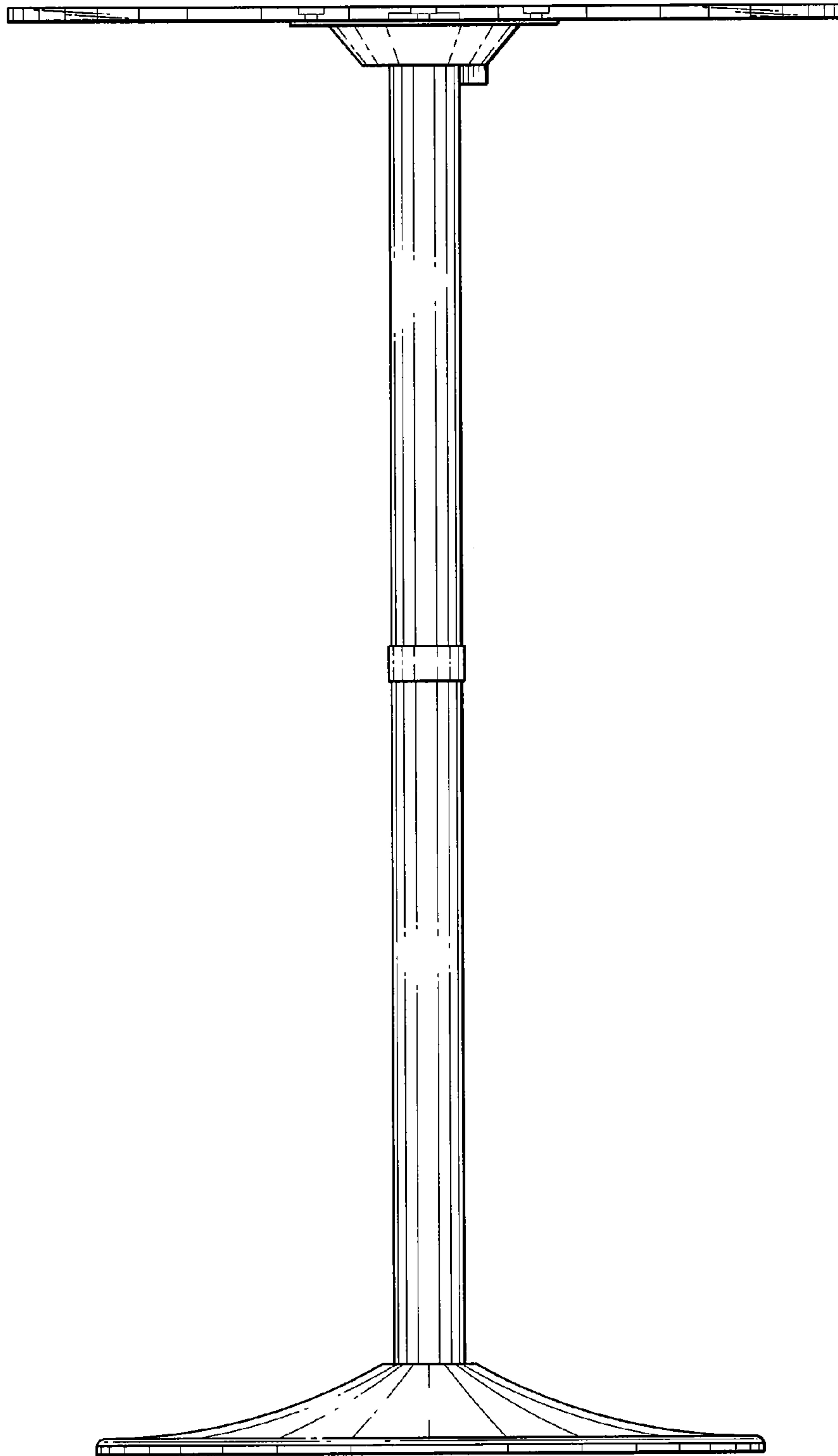


FIG. 4

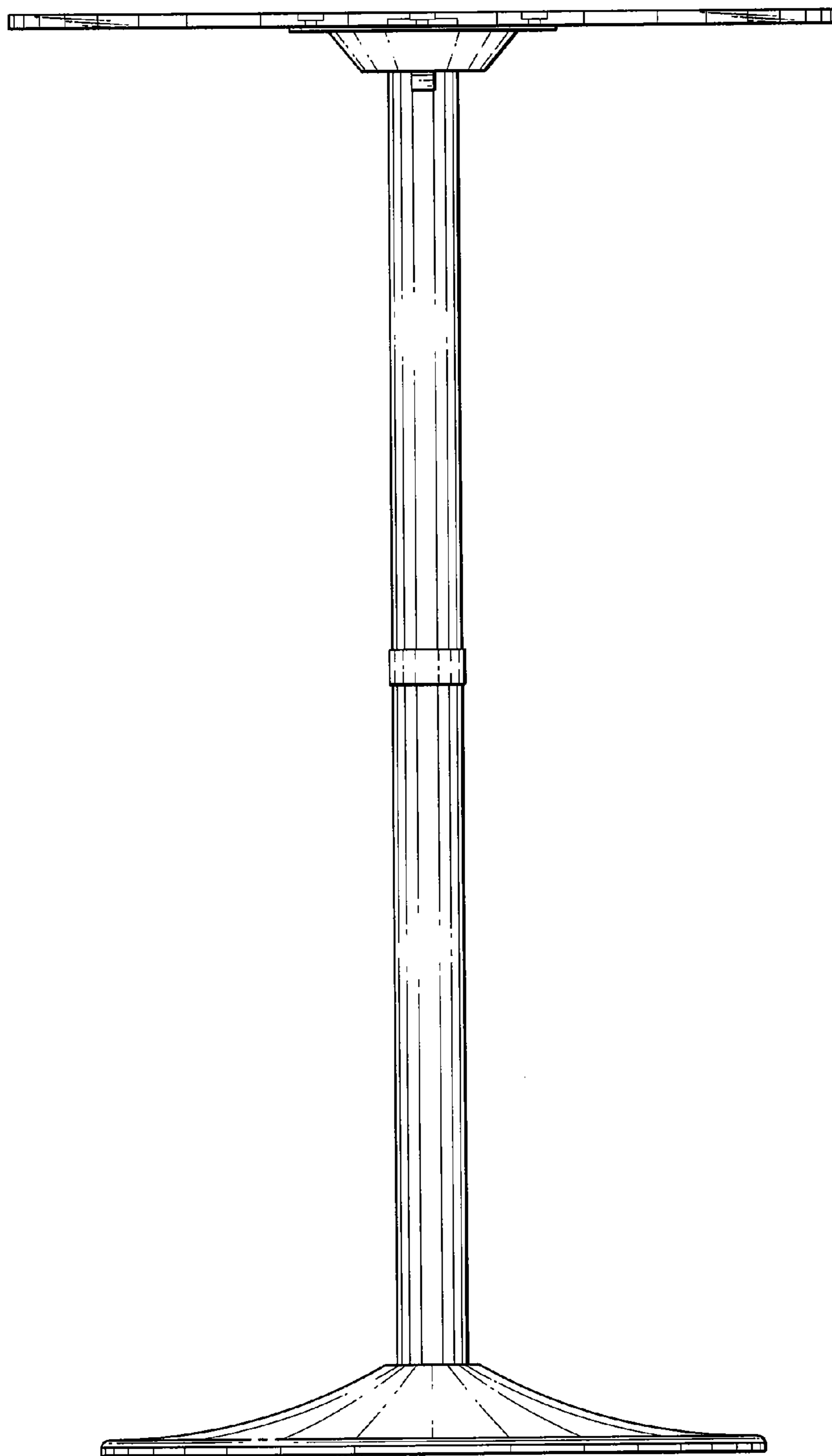


FIG. 5

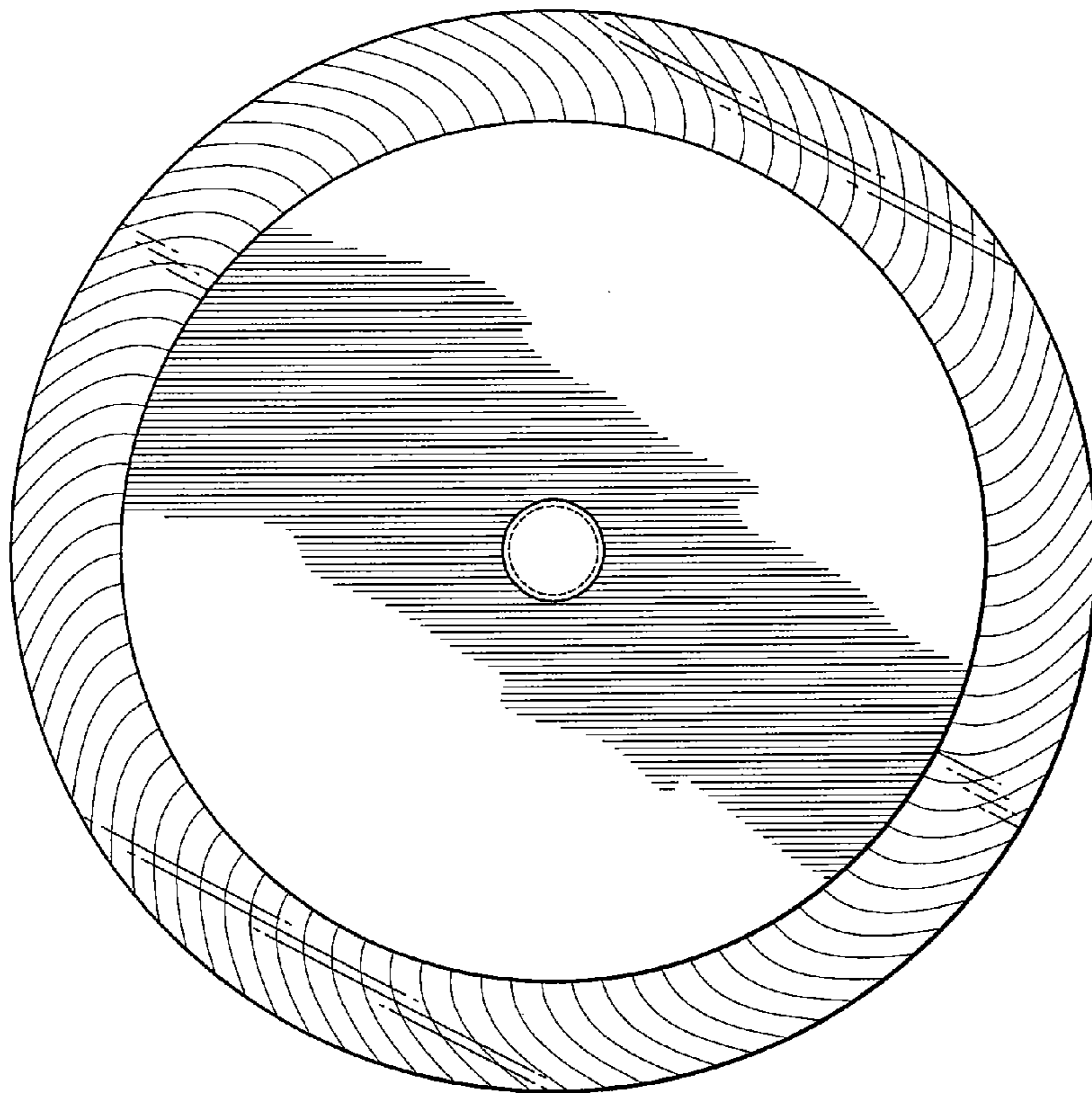


FIG. 6