



US00D671771S

(12) **United States Design Patent**  
**Heyvaerts**

(10) **Patent No.:** **US D671,771 S**

(45) **Date of Patent:** **\*\* Dec. 4, 2012**

(54) **DESK WITH AN ADJUSTABLE FOOTREST**

(75) Inventor: **Johan Heyvaerts**, Hove (BE)

(73) Assignee: **Vanerum Stelter, LLC**, Grand Rapids, MI (US)

(\*\*) Term: **14 Years**

(21) Appl. No.: **29/389,930**

(22) Filed: **Apr. 18, 2011**

(51) **LOC (9) Cl.** ..... **06-03**

(52) **U.S. Cl.** ..... **D6/486**

(58) **Field of Classification Search** ..... D6/480-489,  
D6/495-499, 429, 511, 419, 420, 449, 360;  
108/150, 153.1, 156, 157.1, 161; 248/188,  
248/188.1, 188.7

See application file for complete search history.

(56) **References Cited**

U.S. PATENT DOCUMENTS

1,091,290	A	3/1914	Carr	
2,546,871	A	3/1951	Schley	
3,520,572	A	7/1970	Flaugh	
D249,855	S *	10/1978	Levell	D6/461
4,228,745	A	10/1980	Gale	
4,664,039	A	5/1987	Schneider	
D296,851	S *	7/1988	Kelley	D6/420
D336,791	S *	6/1993	Stidd	D6/360
5,577,806	A	11/1996	Ugalde	
5,802,988	A	9/1998	Shields	
6,095,463	A	8/2000	McCormick	
D436,468	S *	1/2001	Hutton et al.	D6/480
6,478,270	B2	11/2002	Parisi et al.	
D548,496	S *	8/2007	Samtani et al.	D6/486

D595,070	S *	6/2009	Wacker	D6/496
2006/0152059	A1	7/2006	Refsum	
2010/0048368	A1	2/2010	Donofrio	

FOREIGN PATENT DOCUMENTS

WO	2009089440	7/2009
----	------------	--------

\* cited by examiner

*Primary Examiner* — Janice Seeger

(74) *Attorney, Agent, or Firm* — Varnum, Riddering, Schmidt & Howlett LLP

(57) **CLAIM**

I claim, the ornamental design for a desk with an adjustable footrest, as shown and described.

**DESCRIPTION**

FIG. 1 is an elevated perspective view of the right front corner of my design for a desk with an adjustable footrest in accordance with my invention;

FIG. 2 is an elevated perspective view of the left rear corner of my design for a desk with an adjustable footrest as shown in FIG. 1;

FIG. 3 is a front elevation view of my design for a desk with an adjustable footrest as shown in FIG. 1;

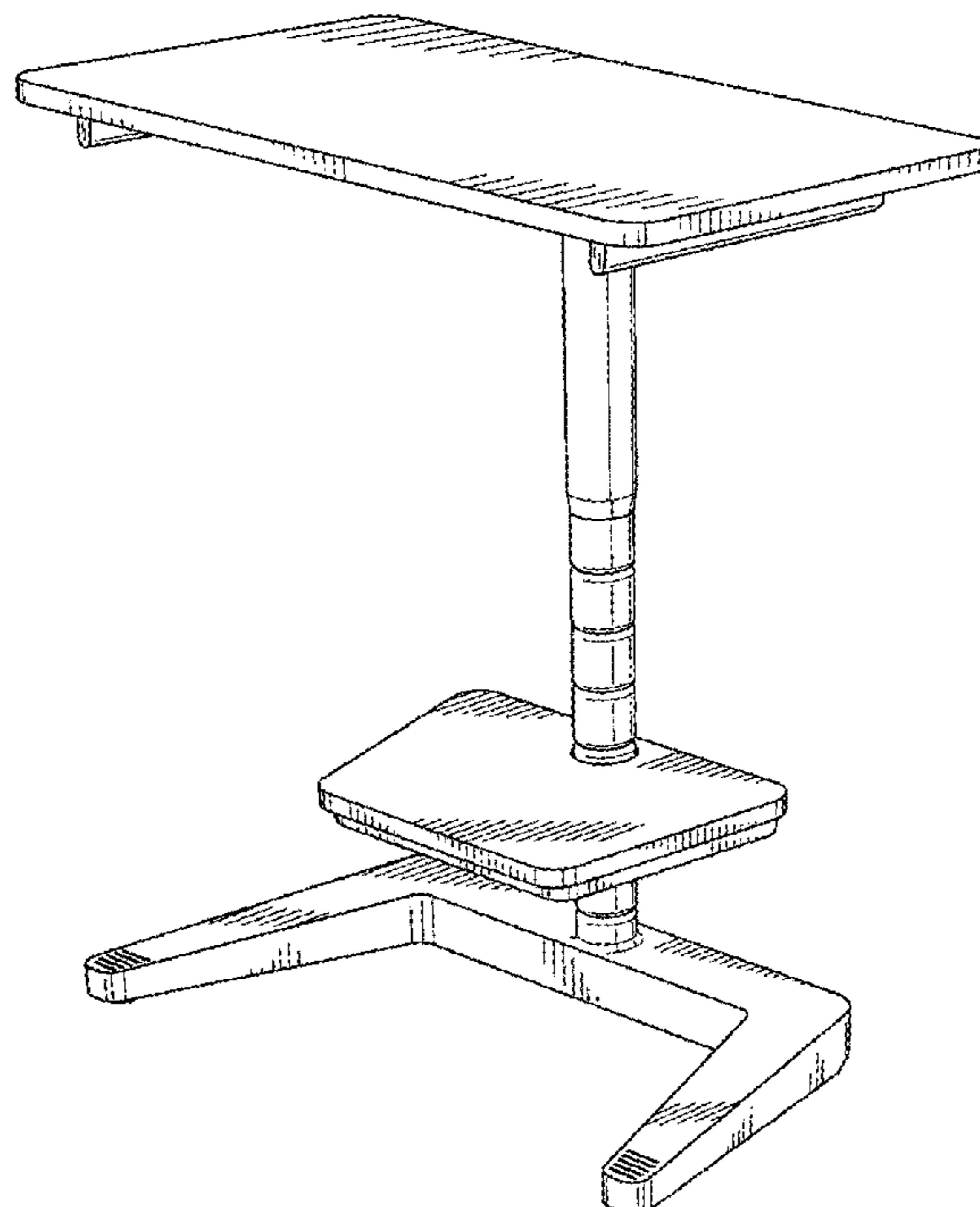
FIG. 4 is a rear elevation view of my design for a desk with an adjustable footrest as shown in FIG. 1;

FIG. 5 is a right side elevation view of my design for a desk with an adjustable footrest as shown in FIG. 1 (the left side view is a mirror image);

FIG. 6 is a top plan view of my design for a desk with an adjustable footrest as shown in FIG. 1; and,

FIG. 7 is a bottom plan view of my design for a desk with an adjustable footrest as shown in FIG. 1.

**1 Claim, 6 Drawing Sheets**



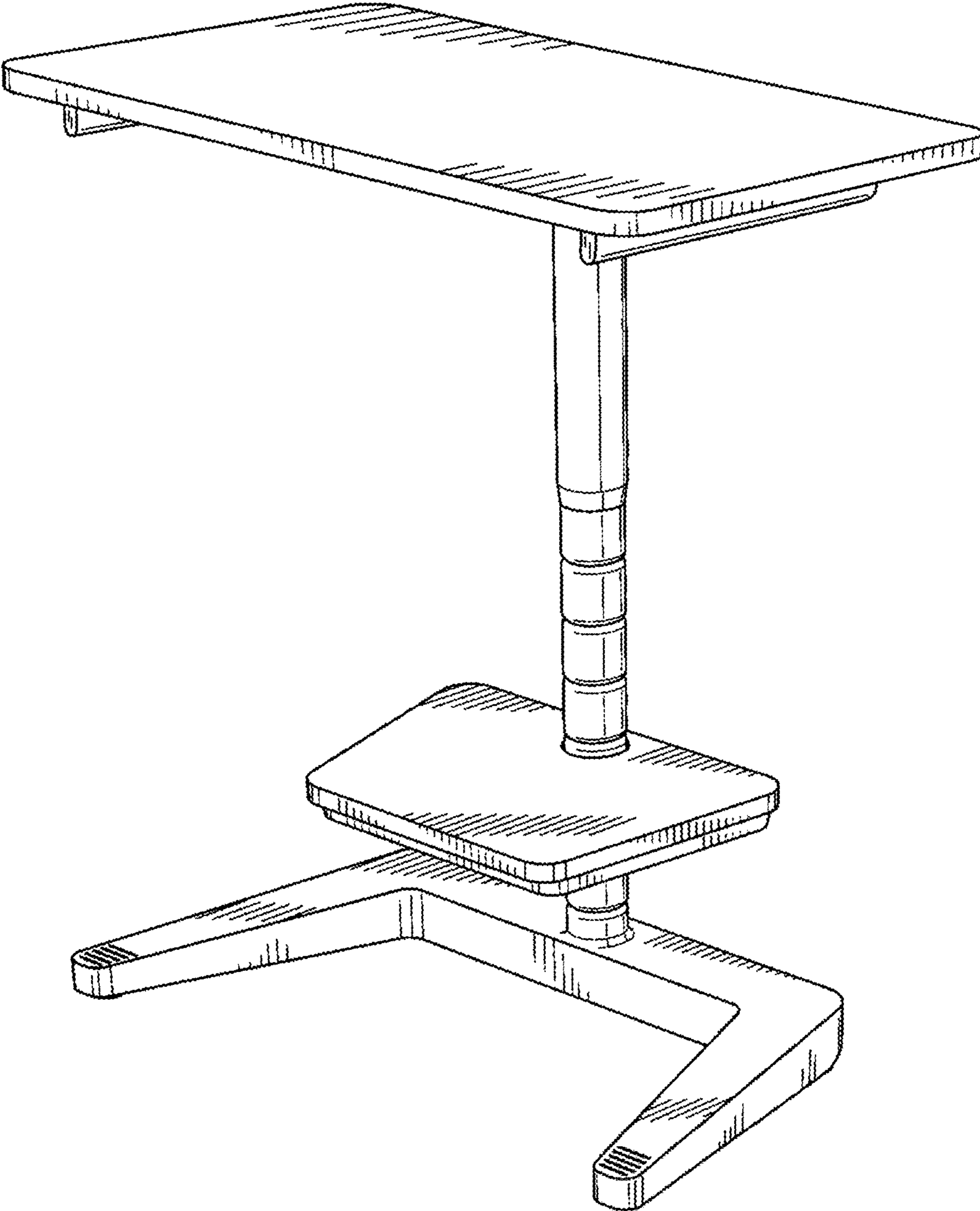


FIG. 1

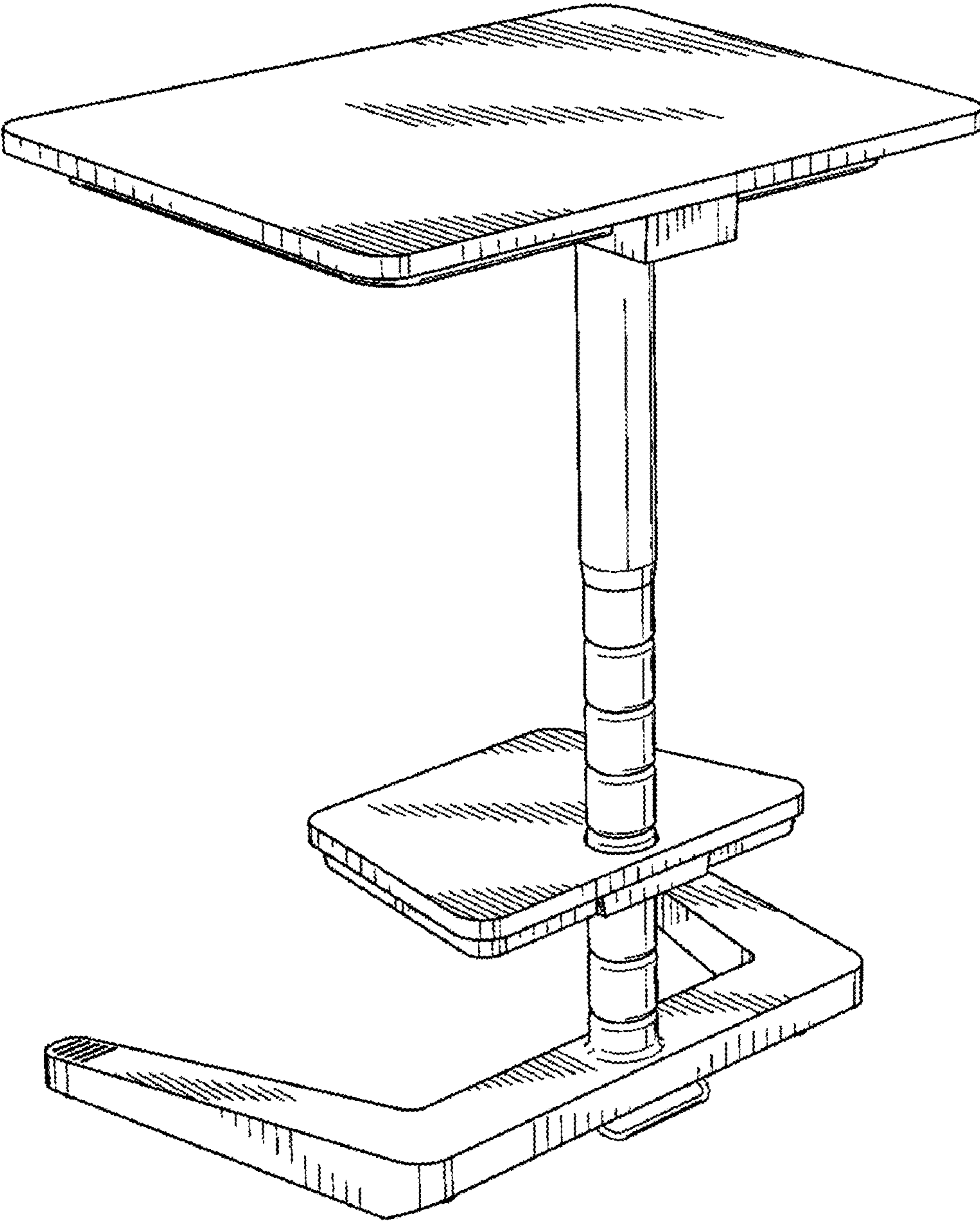


FIG. 2

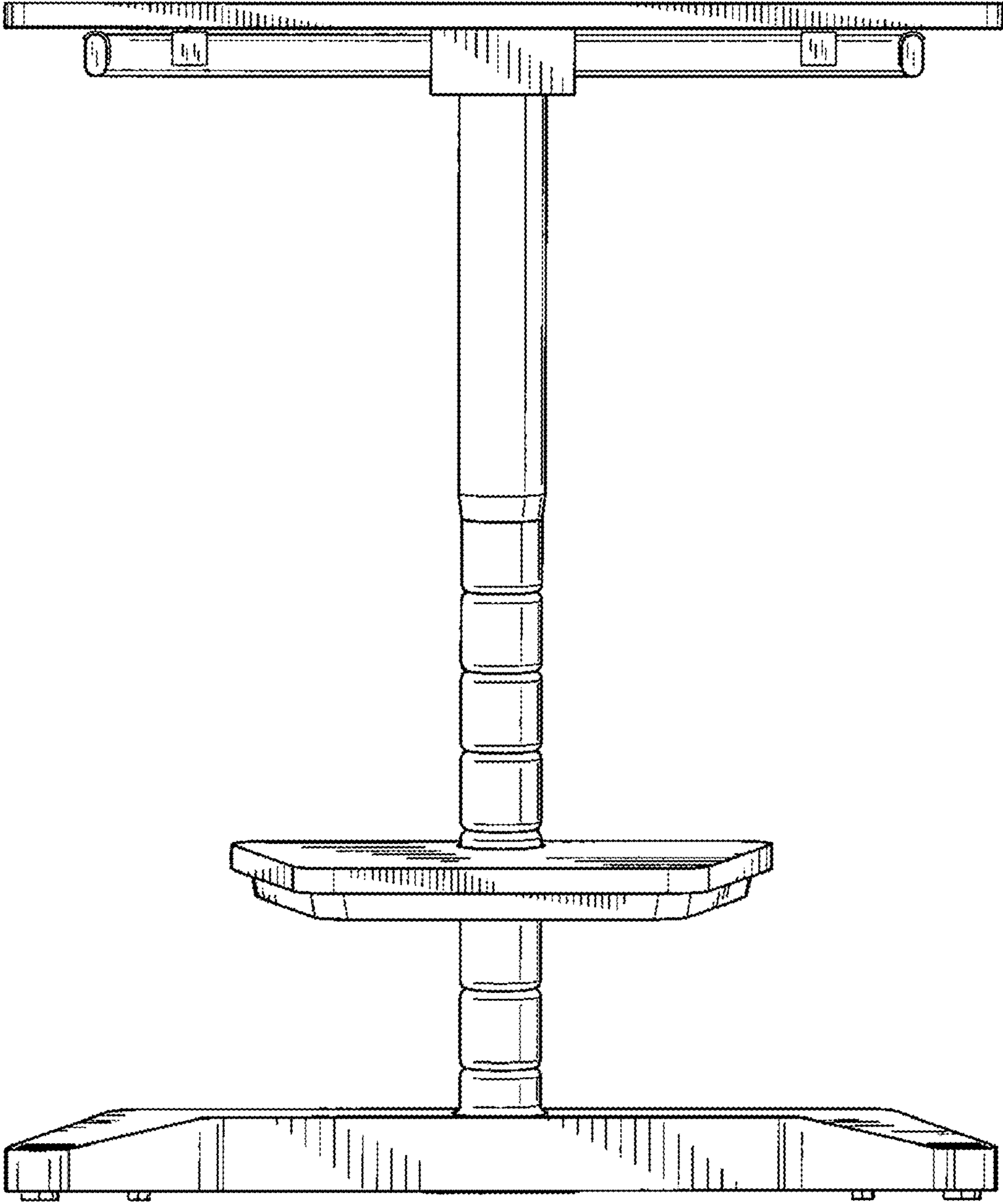


FIG. 3

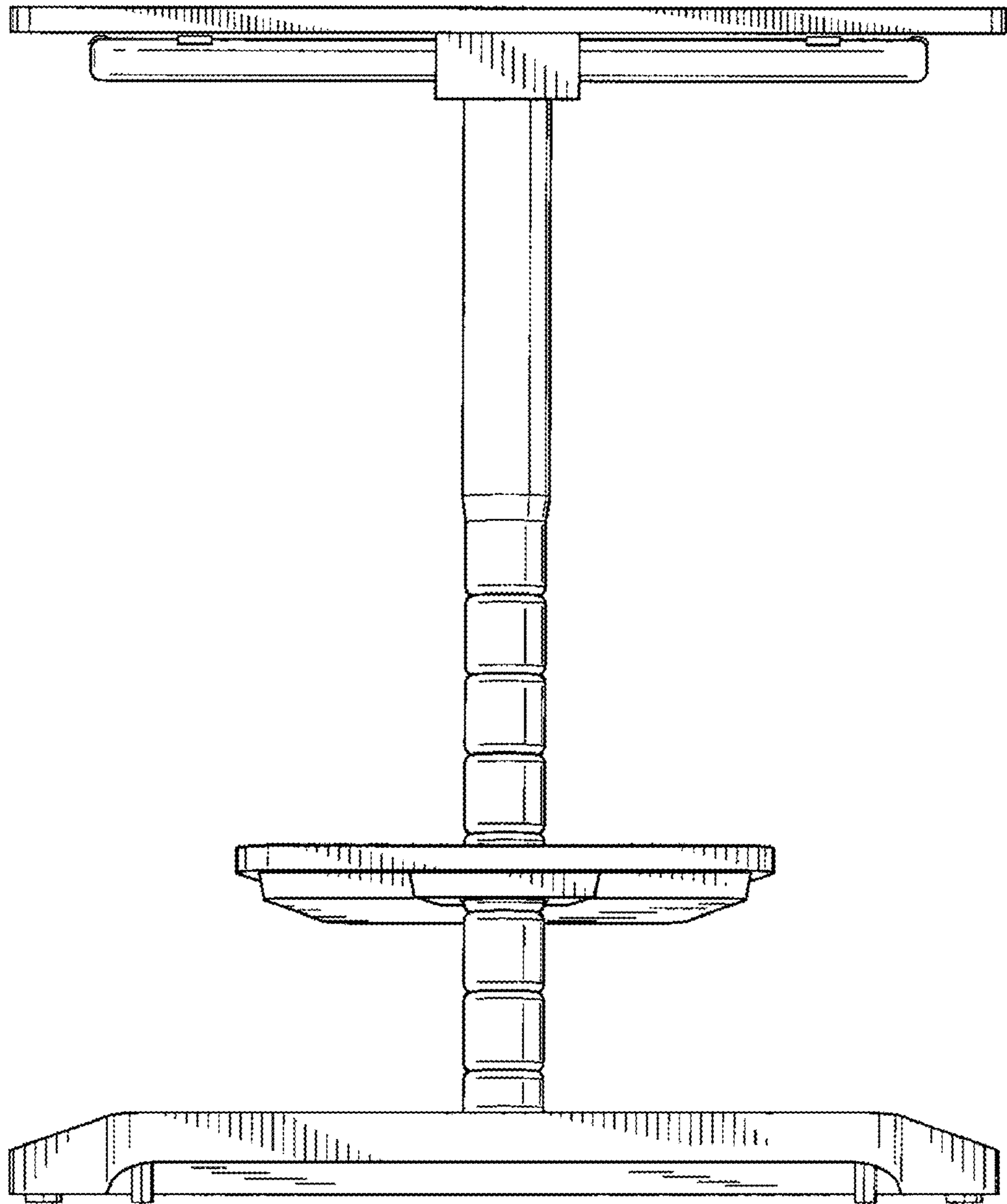


FIG. 4

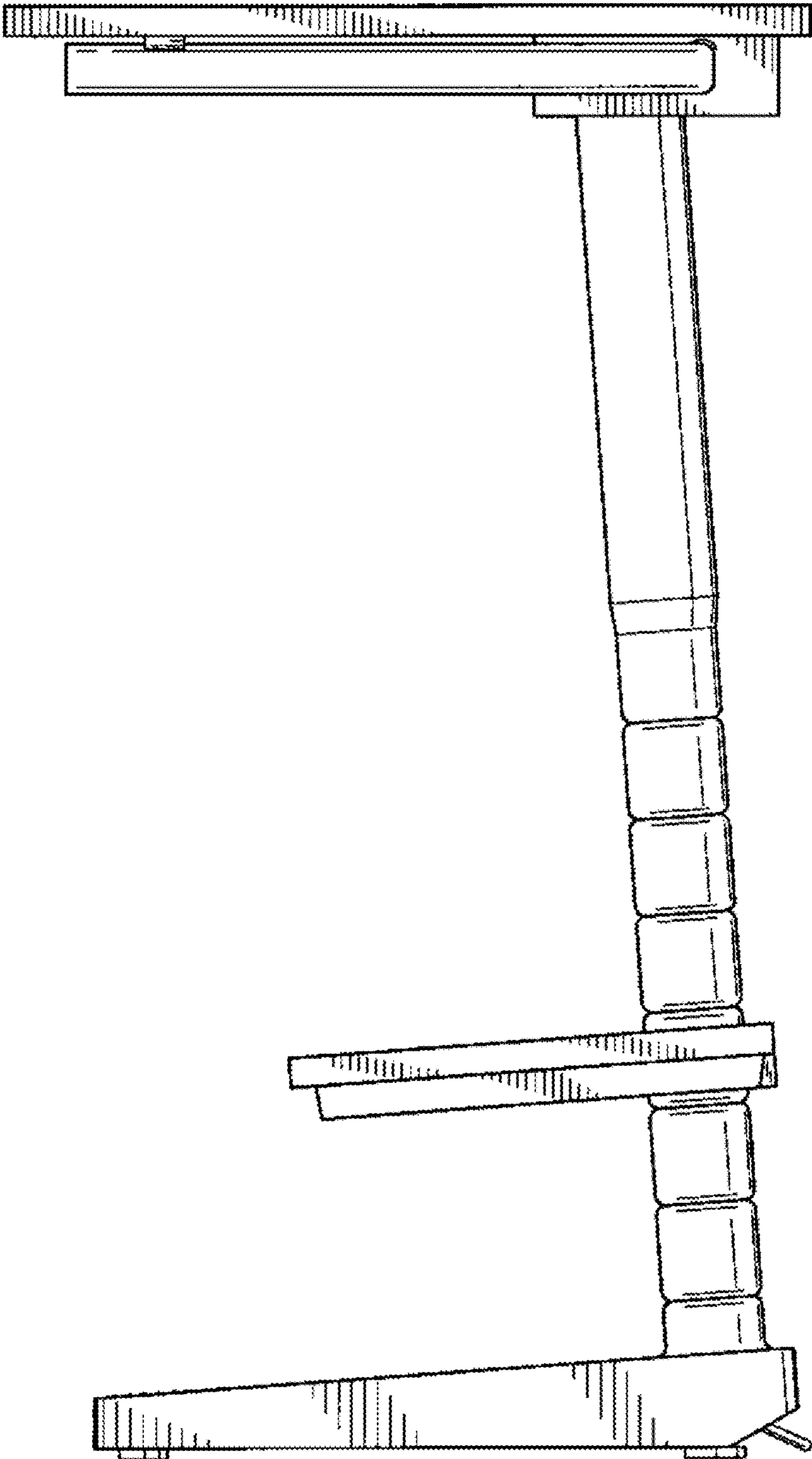


FIG. 5

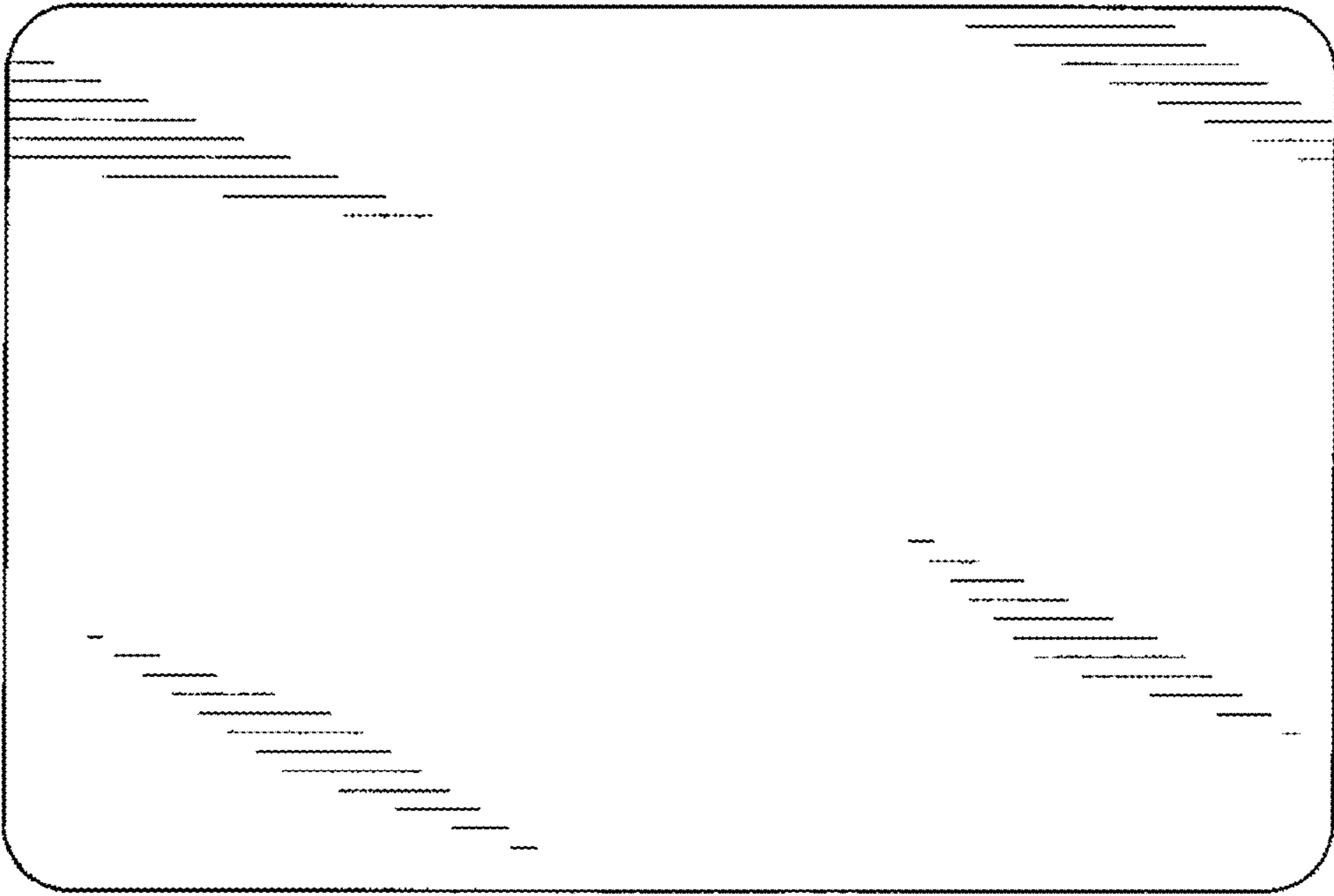


FIG. 6

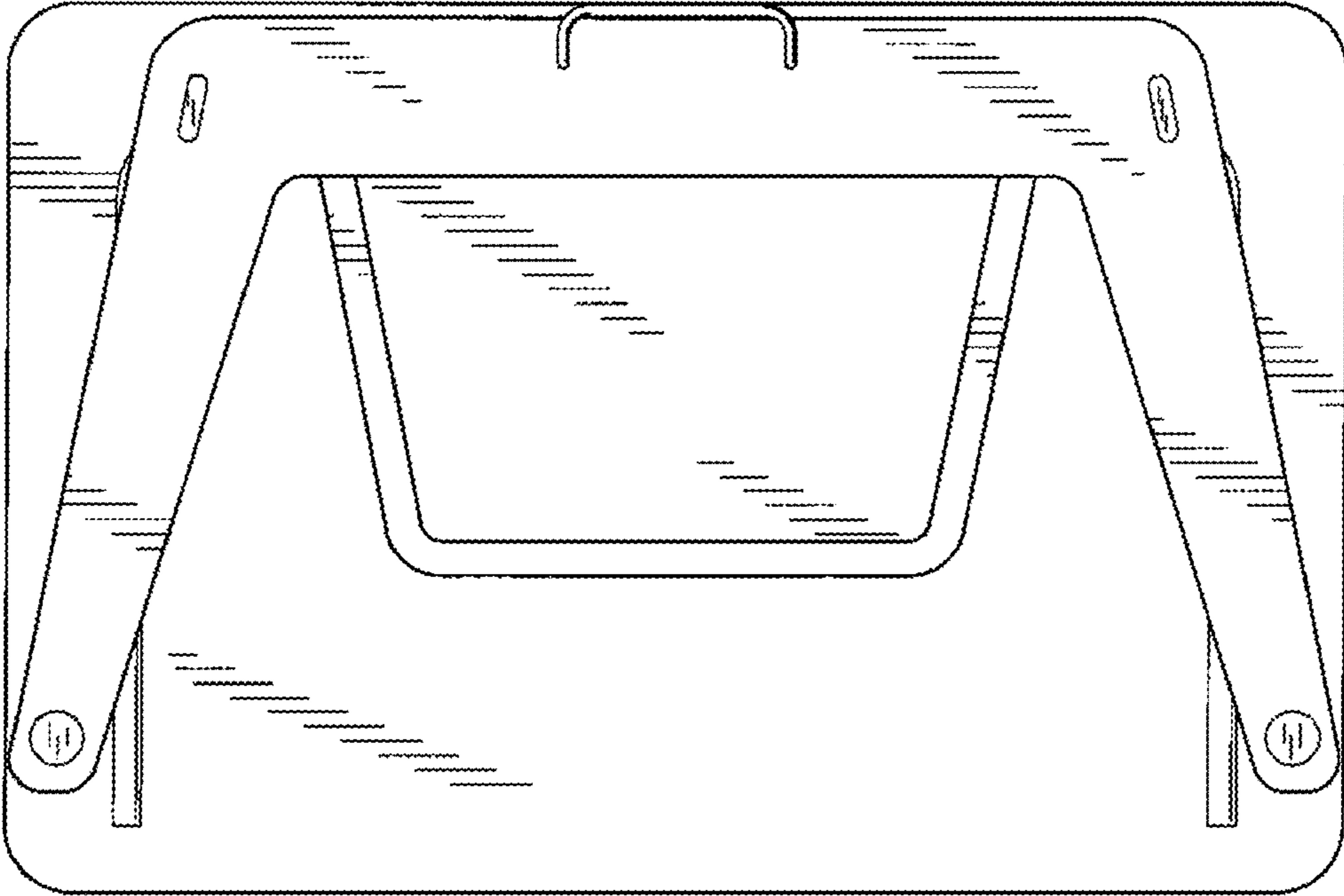


FIG. 7