



US00D671768S

(12) **United States Design Patent**  
**Pazhoor**

(10) **Patent No.:** **US D671,768 S**

(45) **Date of Patent:** **\*\* Dec. 4, 2012**

(54) **PORTABLE VOTING BOOTH**

(75) **Inventor:** **Mohamed S Pazhoor**, West Palm Beach, FL (US)

(73) **Assignee:** **Naztec International Group LLC**, West Palm Beach, FL (US)

(\*\*) **Term:** **14 Years**

(21) **Appl. No.:** **29/406,332**

(22) **Filed:** **Nov. 11, 2011**

(51) **LOC (9) Cl.** ..... **06-03**

(52) **U.S. Cl.** ..... **D6/421**

(58) **Field of Classification Search** ..... D6/419-428,  
D6/429, 487; 312/194-196, 198, 6, 262;  
108/50.01, 50.02, 60; 235/51, 50 R; 52/36.1,  
52/36.4

See application file for complete search history.

(56) **References Cited**

**U.S. PATENT DOCUMENTS**

- D475,219 S \* 6/2003 McClure et al. .... D6/421
- D603,183 S \* 11/2009 Abel et al. .... D6/421
- D603,621 S \* 11/2009 Abel et al. .... D6/421
- D616,217 S \* 5/2010 Abel et al. .... D6/421

- D616,667 S \* 6/2010 Pazhoor ..... D6/421
- D622,975 S \* 9/2010 Abel et al. .... D6/421
- D646,502 S \* 10/2011 Pazhoor ..... D6/421

\* cited by examiner

*Primary Examiner* — Janice Seeger

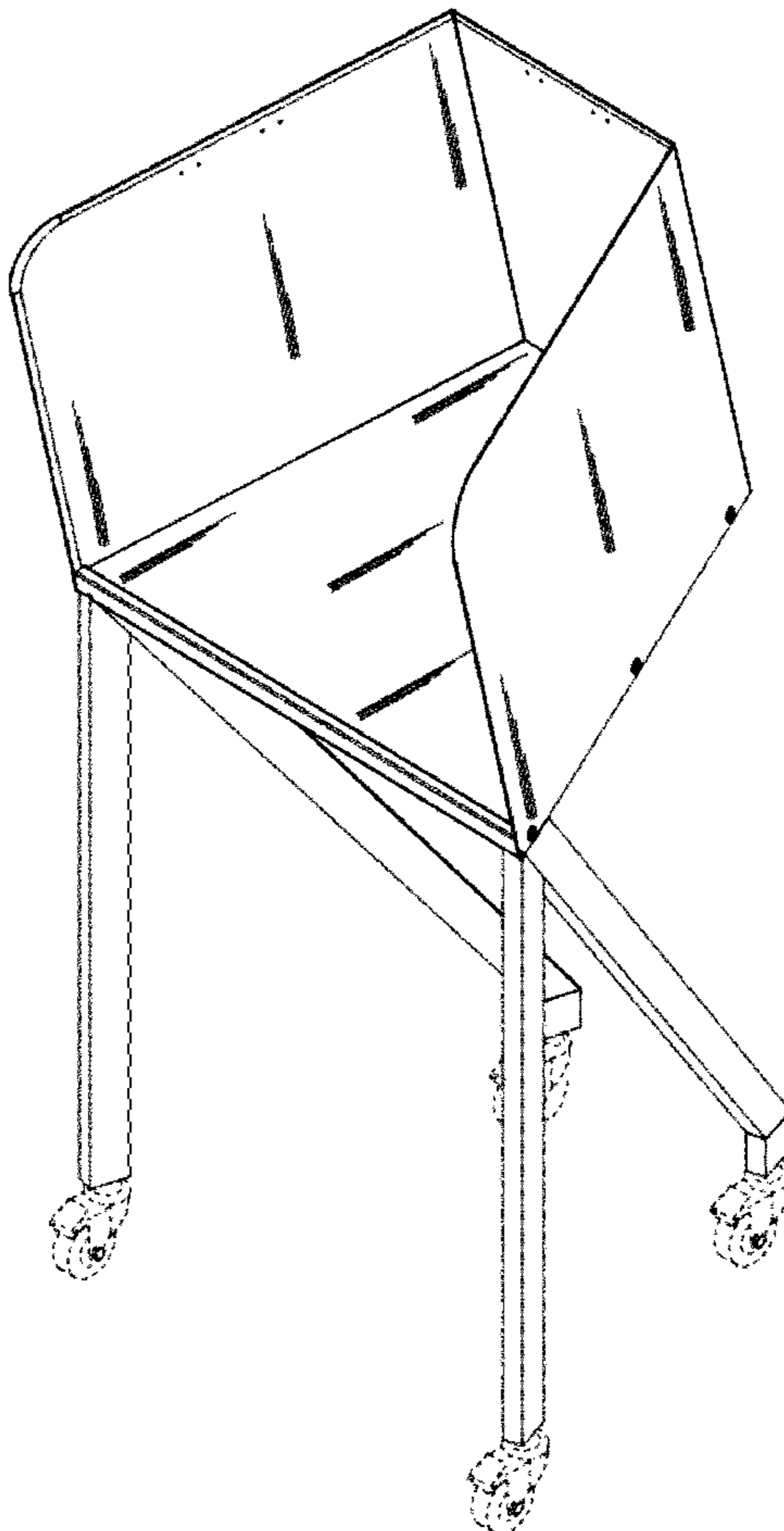
(57) **CLAIM**

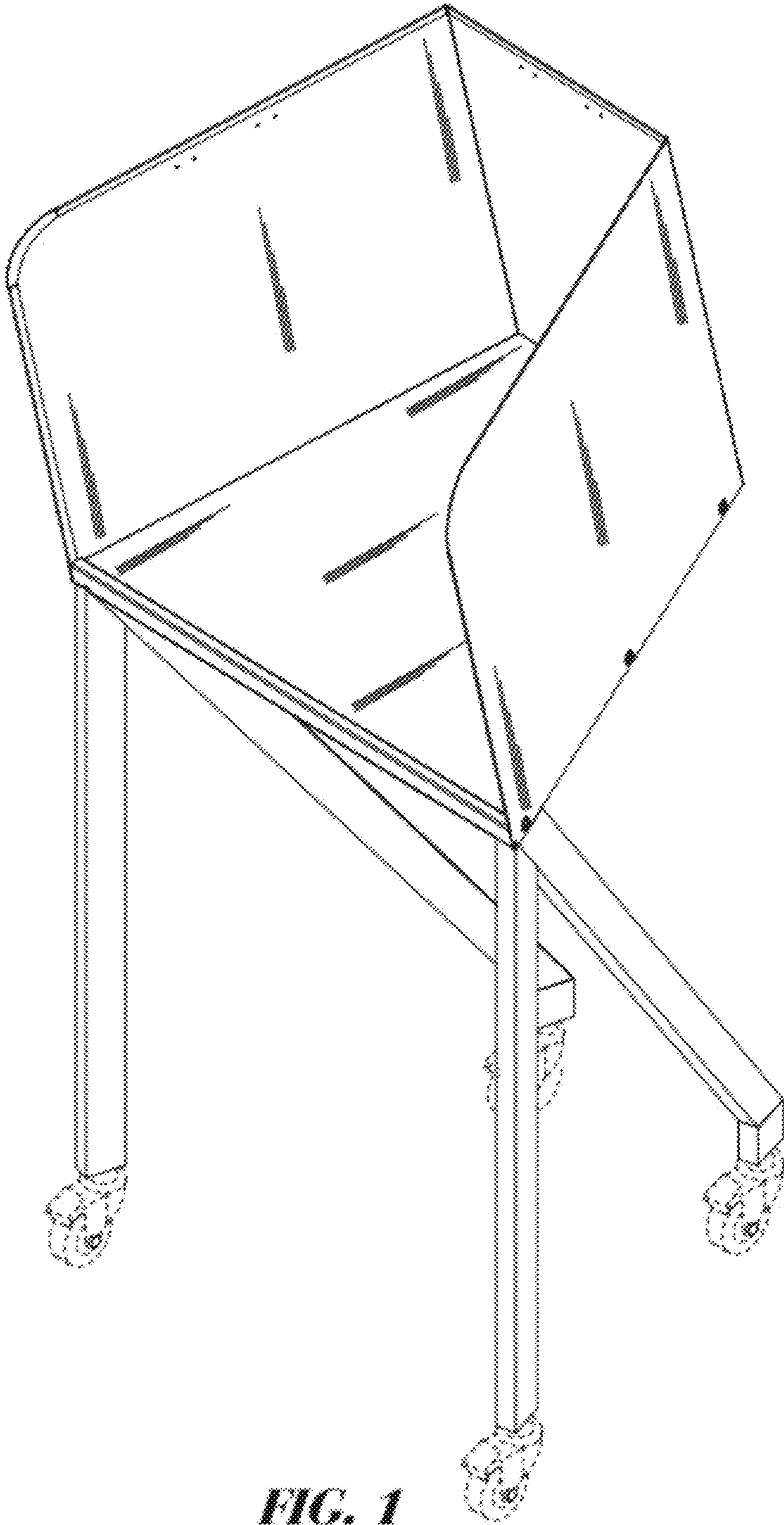
The ornamental design for a portable voting booth, as shown and described.

**DESCRIPTION**

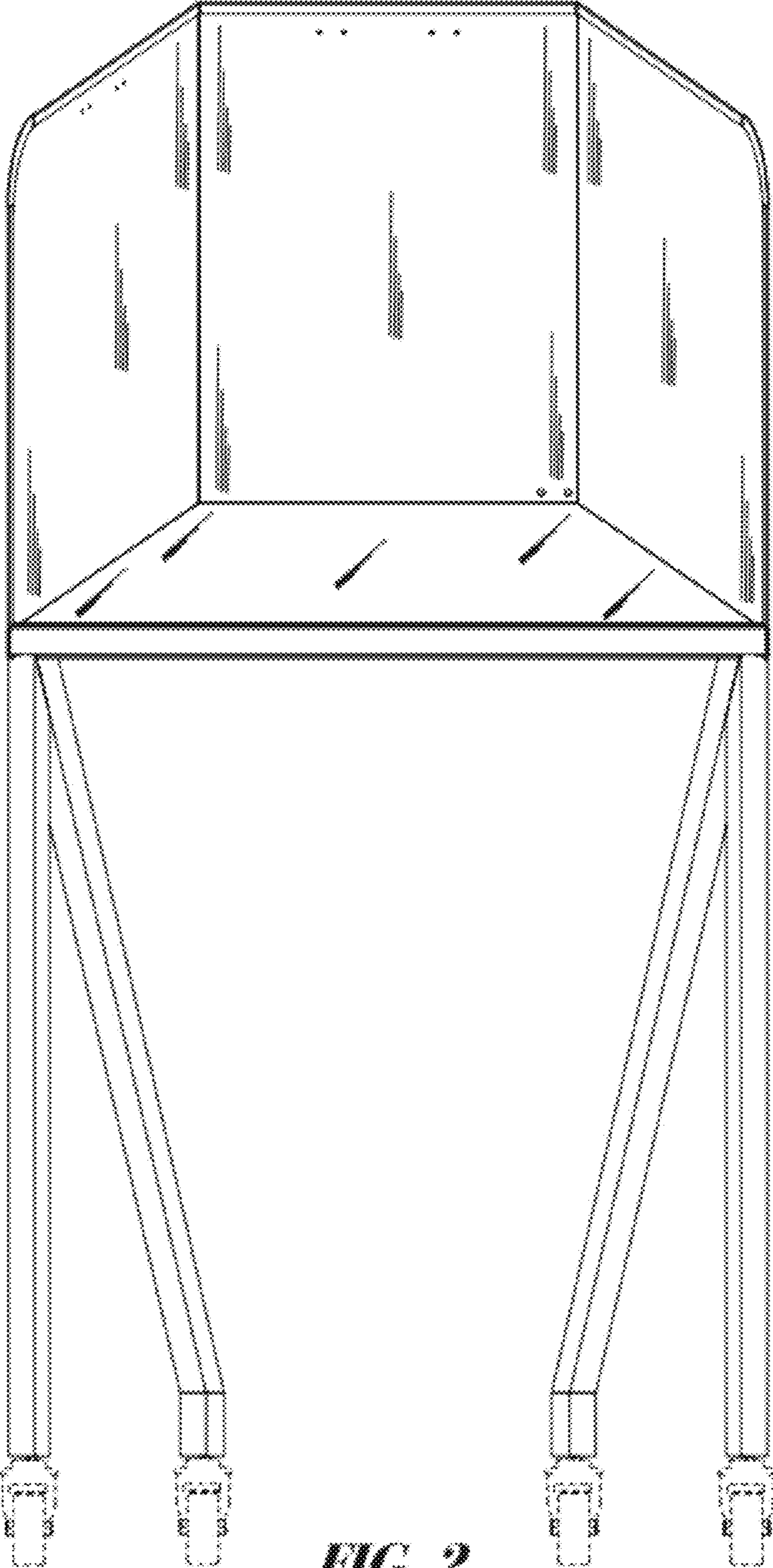
FIG. 1 is a front perspective view of the portable voting booth of the instant invention;  
 FIG. 2 is a front view thereof;  
 FIG. 3 is a rear view thereof;  
 FIG. 4 is a right side view thereof;  
 FIG. 5 is a left side view thereof;  
 FIG. 6 is a top view thereof;  
 FIG. 7 is a bottom view thereof; and,  
 FIG. 8 is a perspective view of multiple portable voting booth of the instant invention in a nested configuration.  
 The portions of the figures illustrated in broken lines are for illustrative purposes only and no part of the claimed subject matter.

**1 Claim, 8 Drawing Sheets**

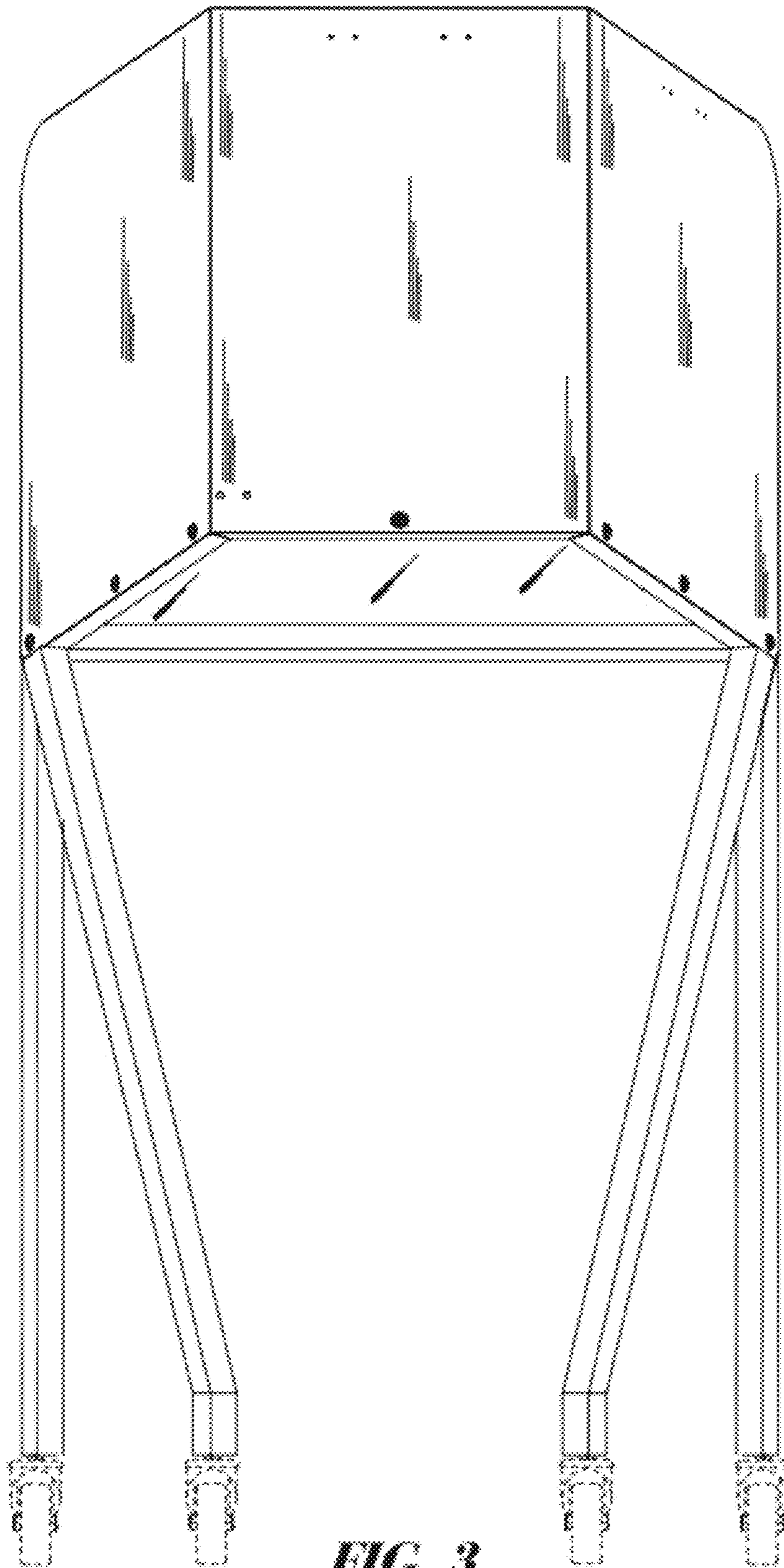




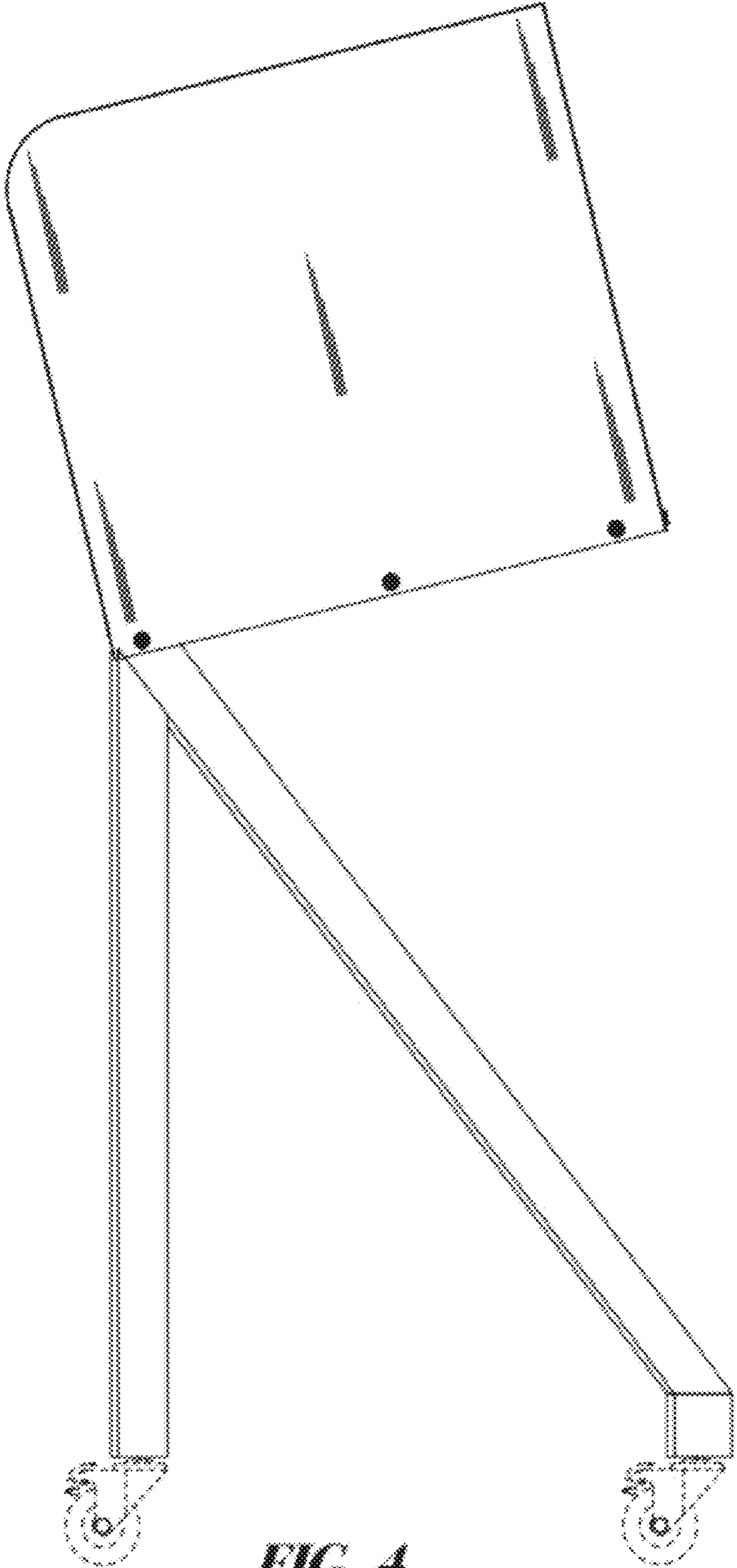
**FIG. 1**



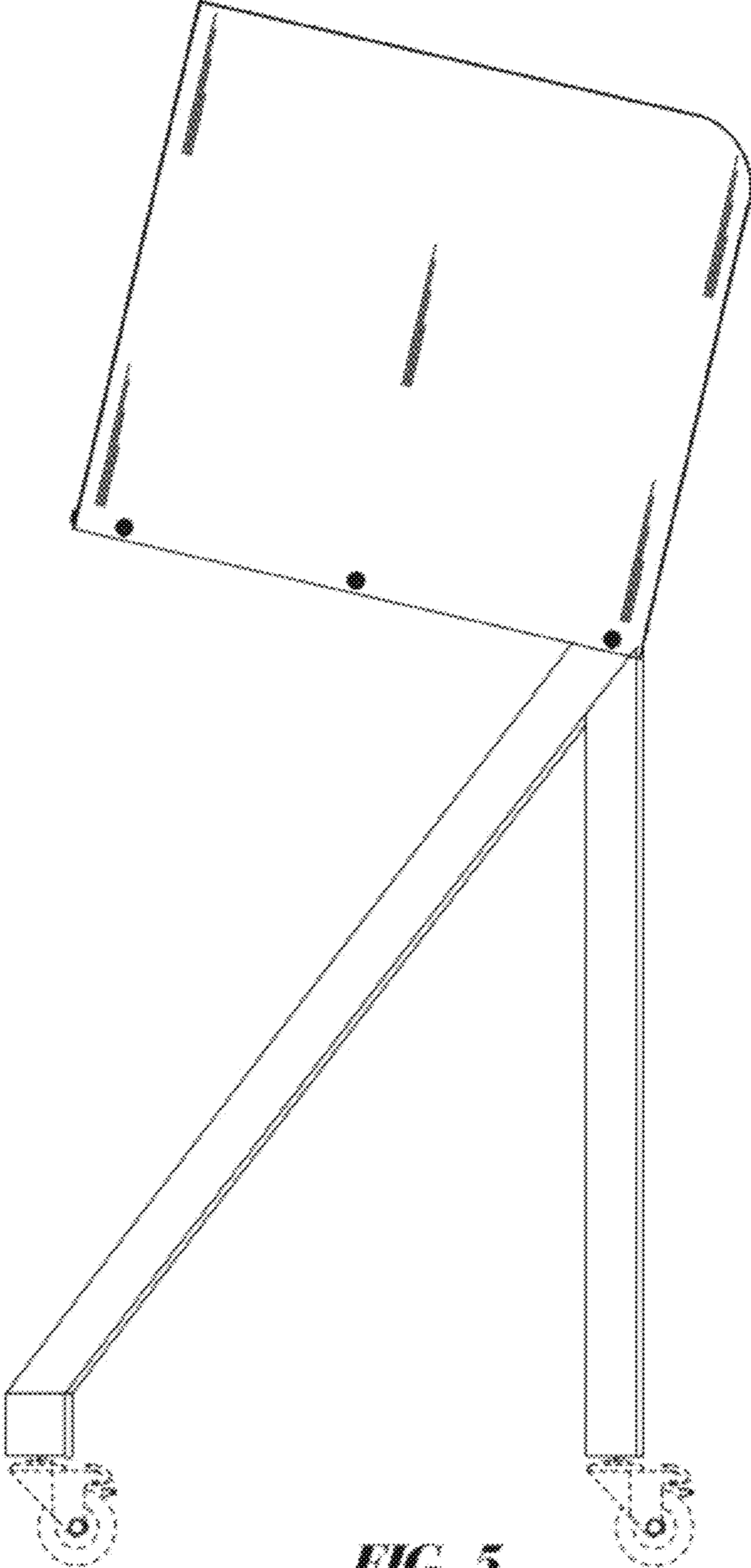
**FIG. 2**



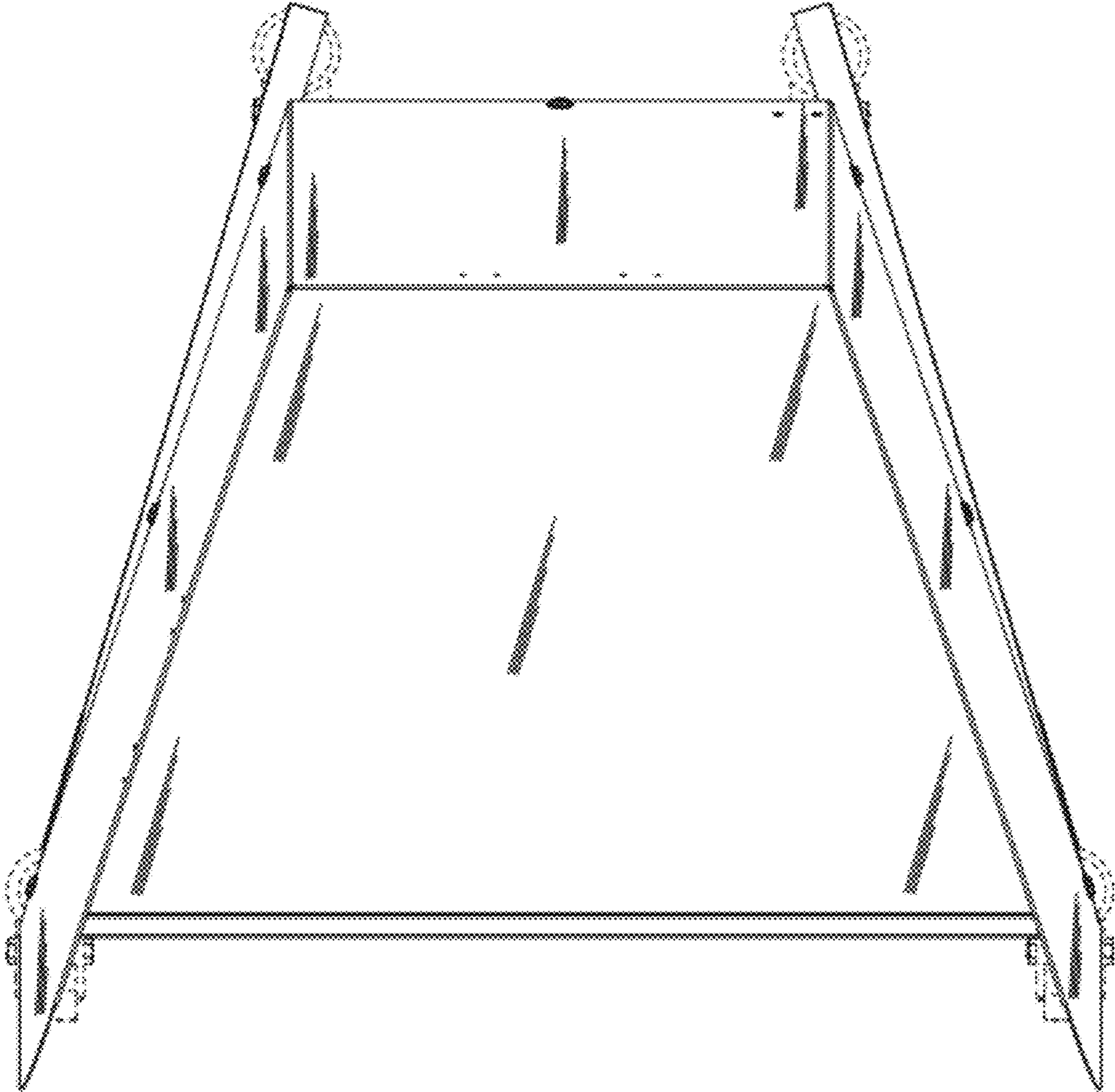
**FIG. 3**



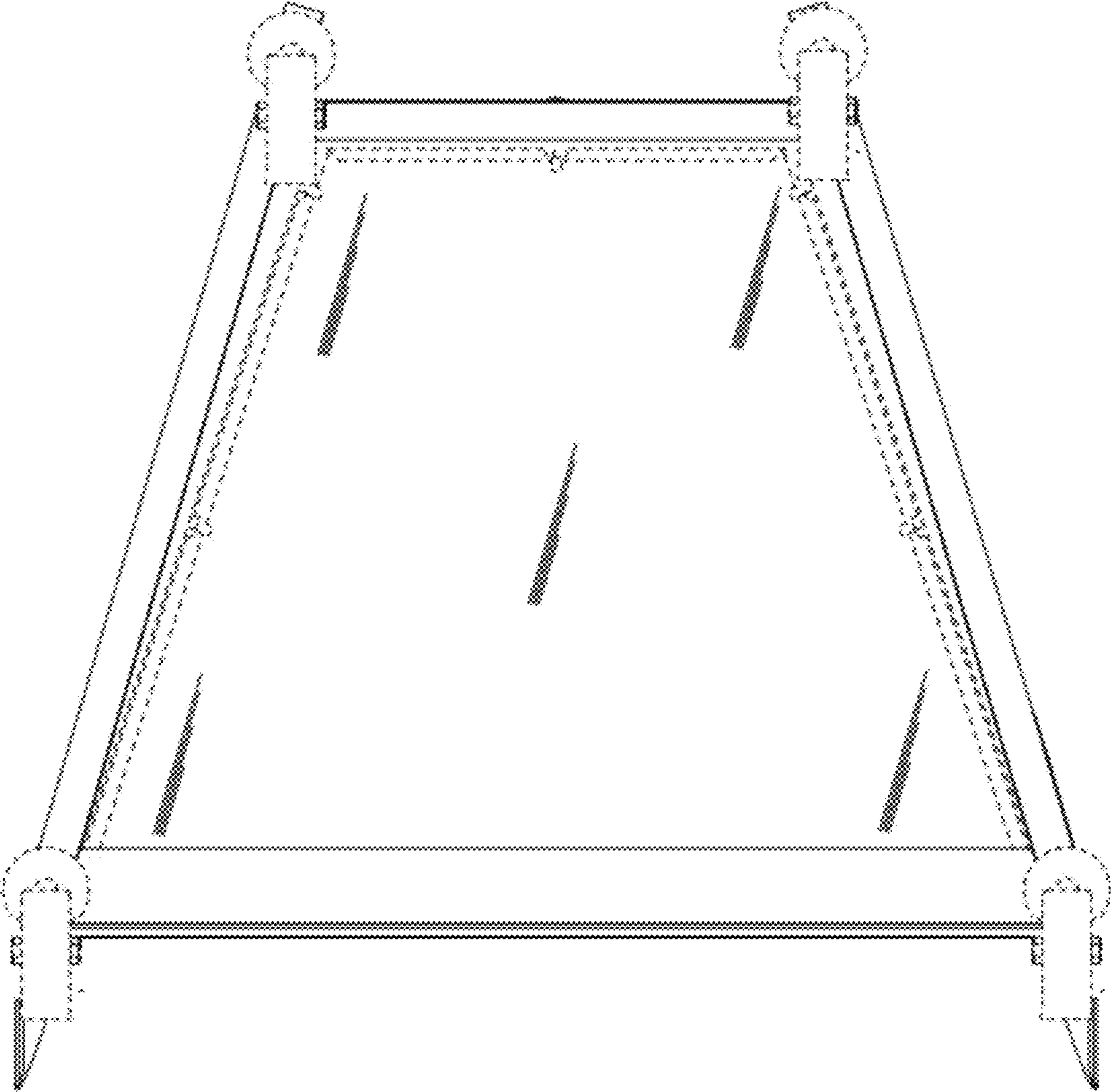
**FIG. 4**



**FIG. 5**

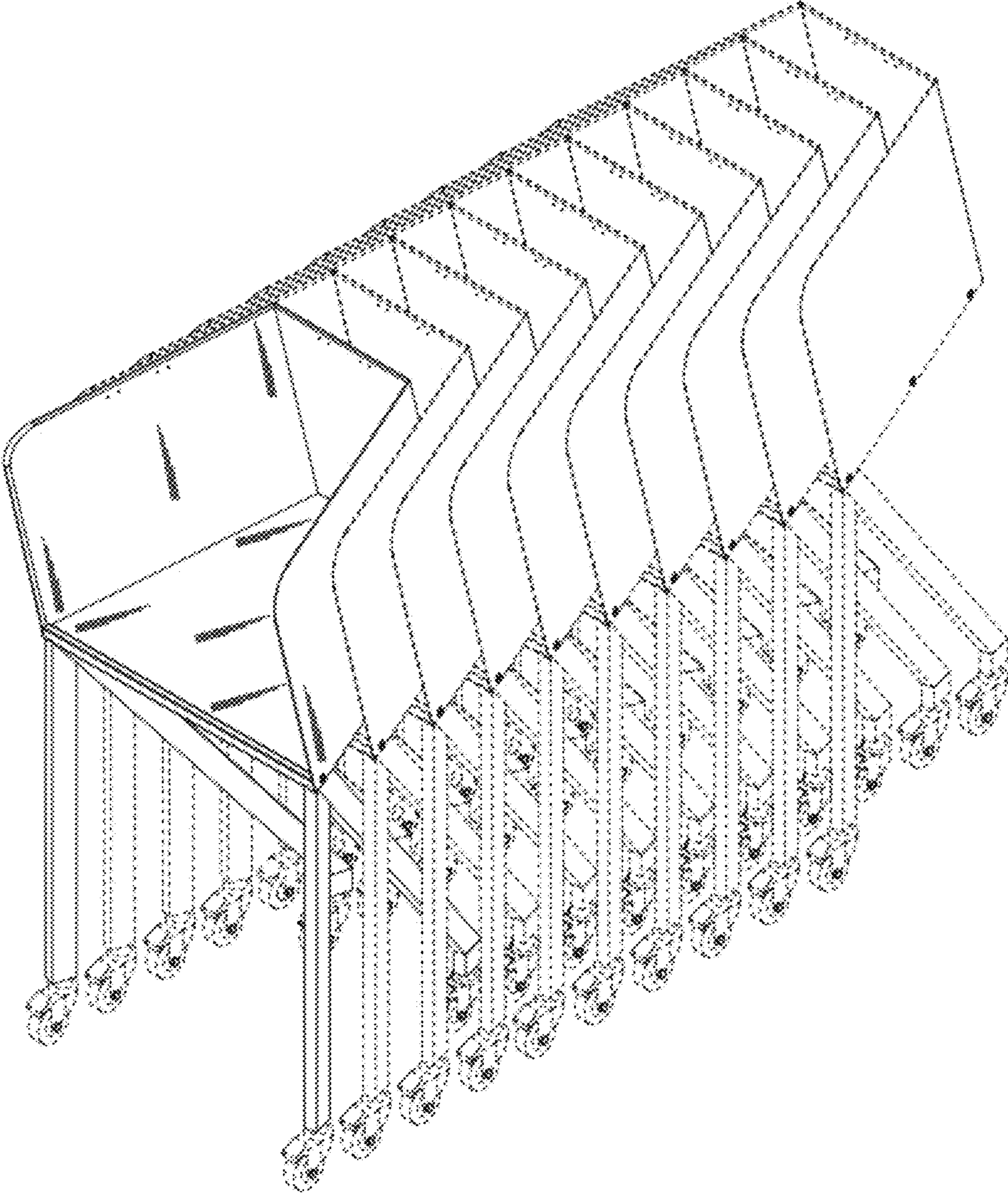


**FIG. 6**



**FIG. 7**





**FIG. 8**