



US00D671767S

(12) **United States Design Patent**  
**Pazhoor**

(10) **Patent No.:** **US D671,767 S**  
(45) **Date of Patent:** **\*\* Dec. 4, 2012**

(54) **PORTABLE QUAD VOTING BOOTH**

D283,278 S \* 4/1986 Kent ..... D6/421  
D415,635 S \* 10/1999 Bengtsson ..... D6/486  
D616,668 S \* 6/2010 Pazhoor ..... D6/421

(76) Inventor: **Mohamed S Pazhoor**, West Palm Beach,  
FL (US)

\* cited by examiner

(\*\*) Term: **14 Years**

*Primary Examiner* — Janice Seeger

(21) Appl. No.: **29/405,712**

(57) **CLAIM**  
The ornamental design for a portable quad voting booth, as shown and described.

(22) Filed: **Nov. 4, 2011**

**DESCRIPTION**

(51) **LOC (9) Cl.** ..... **06-03**

(52) **U.S. Cl.** ..... **D6/421**

(58) **Field of Classification Search** ..... D6/419–428,  
D6/429, 487, 498, 486; 312/194–196, 198,  
312/6, 262; 108/50.01, 50.02, 60; 235/51,  
235/50 R; 52/36.1, 36.4

FIG. 1 is a front perspective view of the portable quad voting booth of the instant invention;  
FIG. 2 is a front view thereof;  
FIG. 3 is a rear view thereof;  
FIG. 4 is a right side view thereof;  
FIG. 5 is a left side view thereof;  
FIG. 6 is a top view thereof; and,  
FIG. 7 is a bottom view thereof.

See application file for complete search history.

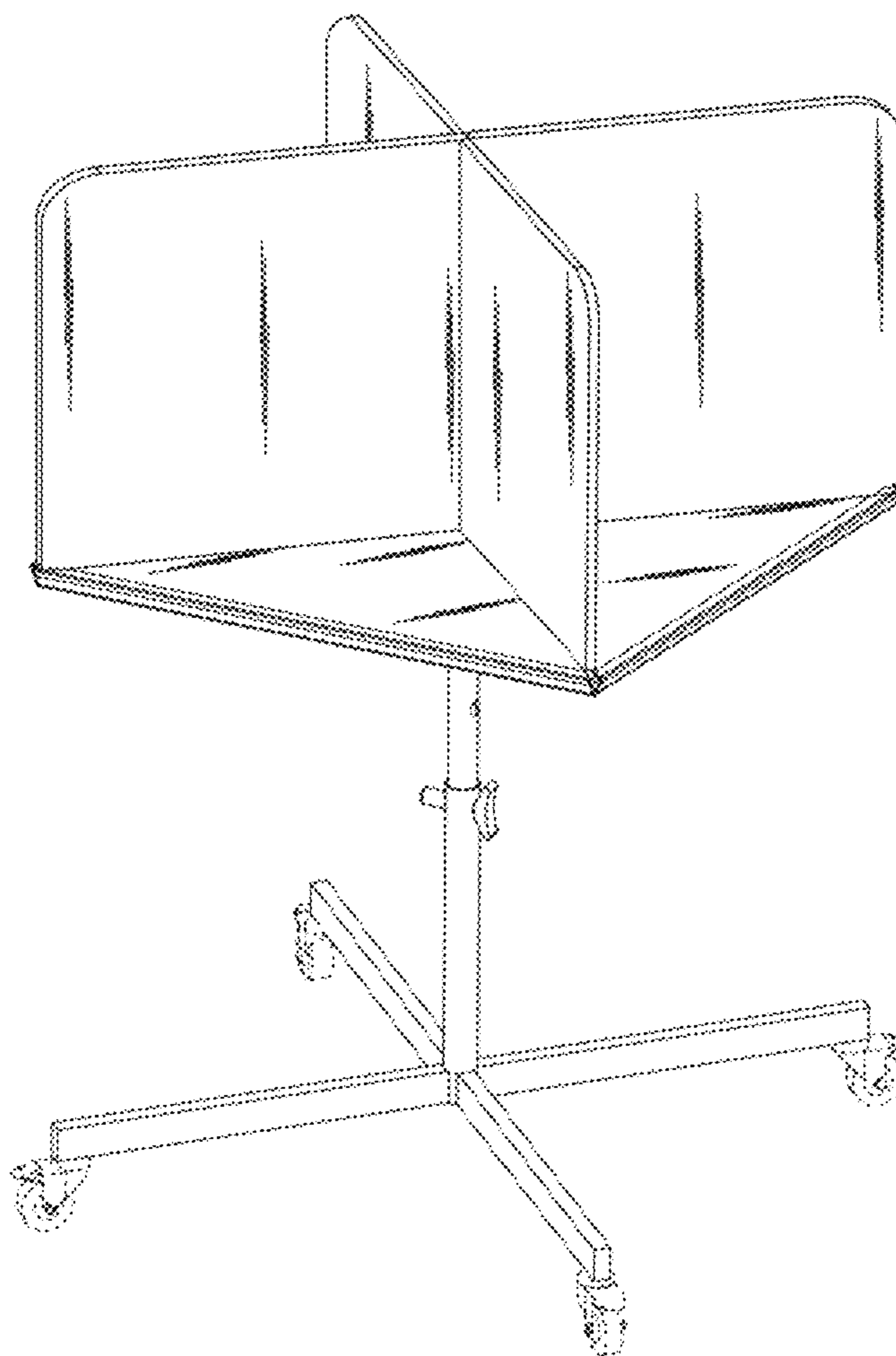
The portions of the figures illustrated in broken lines are for illustrative purposes only and no part of the claimed subject matter.

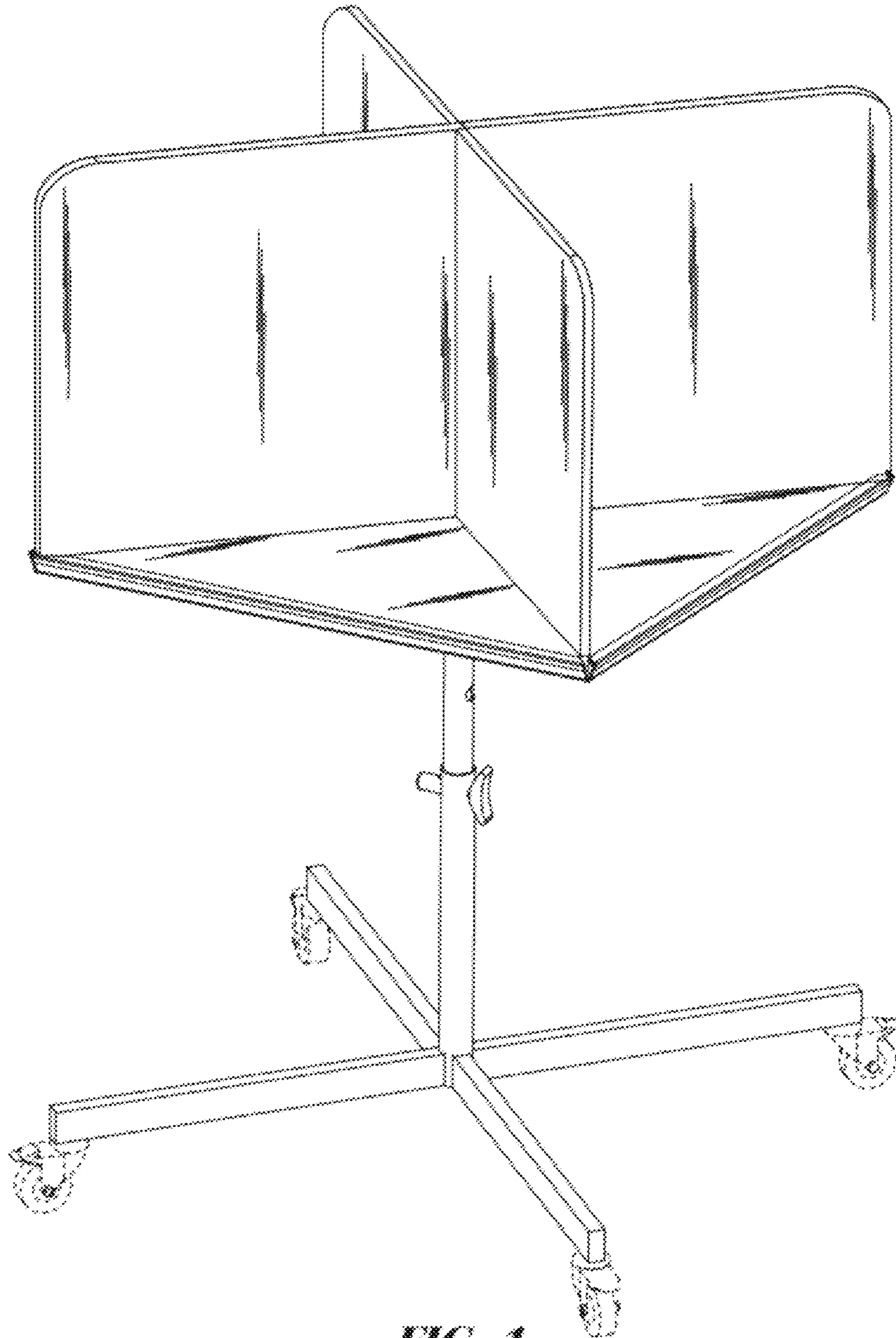
(56) **References Cited**

U.S. PATENT DOCUMENTS

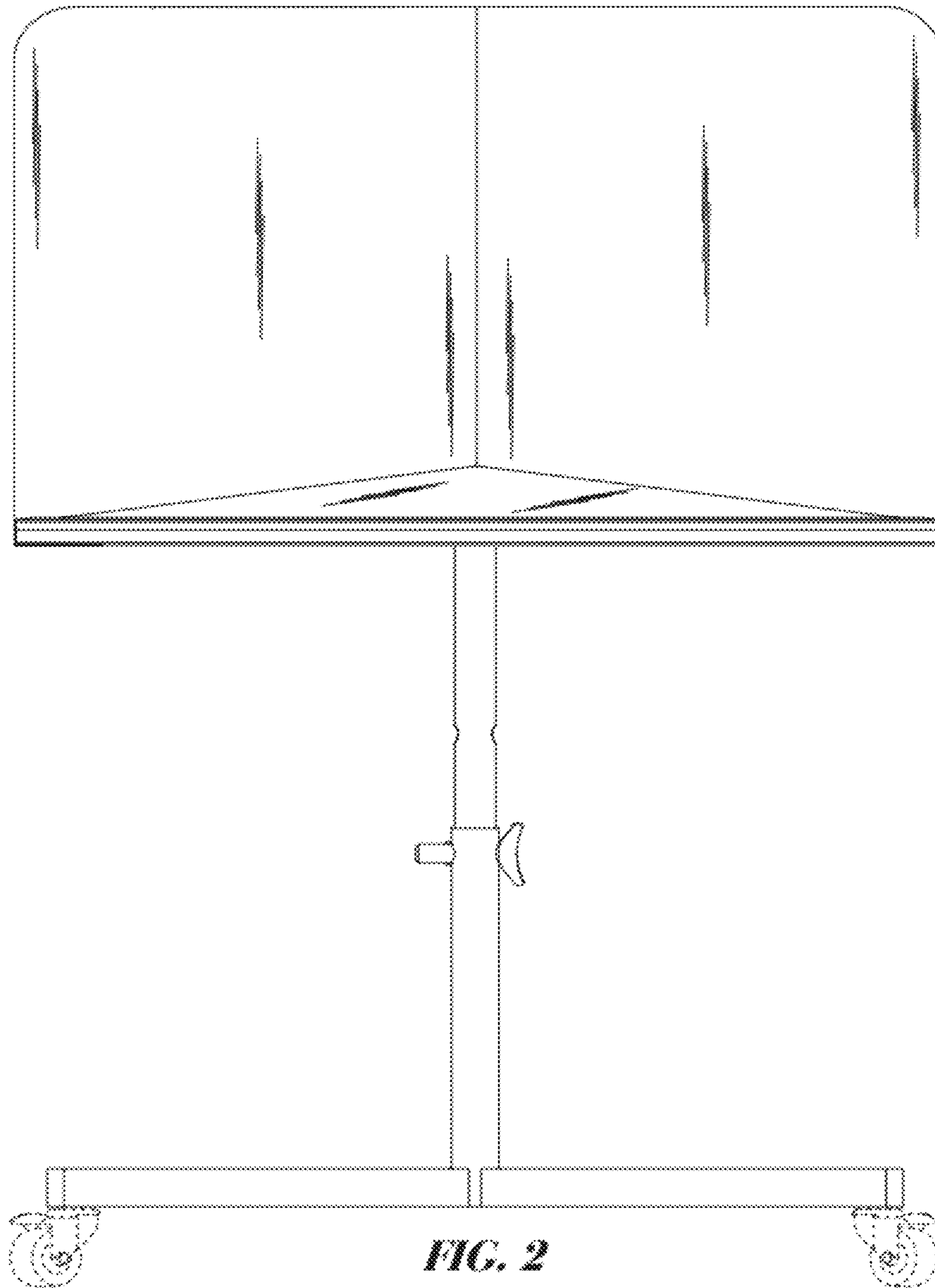
2,576,287 A \* 11/1951 English ..... D6/486  
D197,652 S \* 3/1964 Courtwright ..... D6/421

**1 Claim, 7 Drawing Sheets**

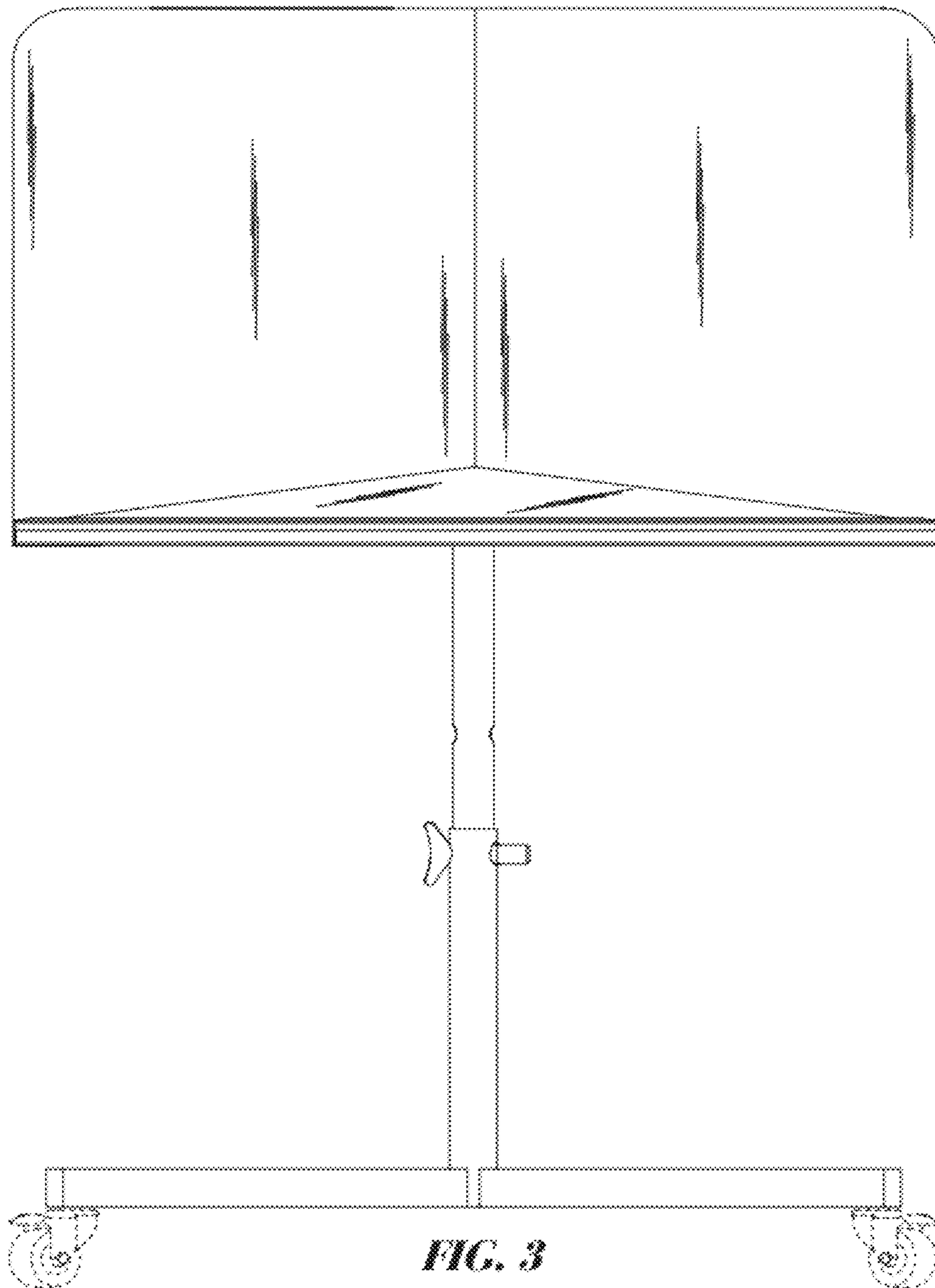




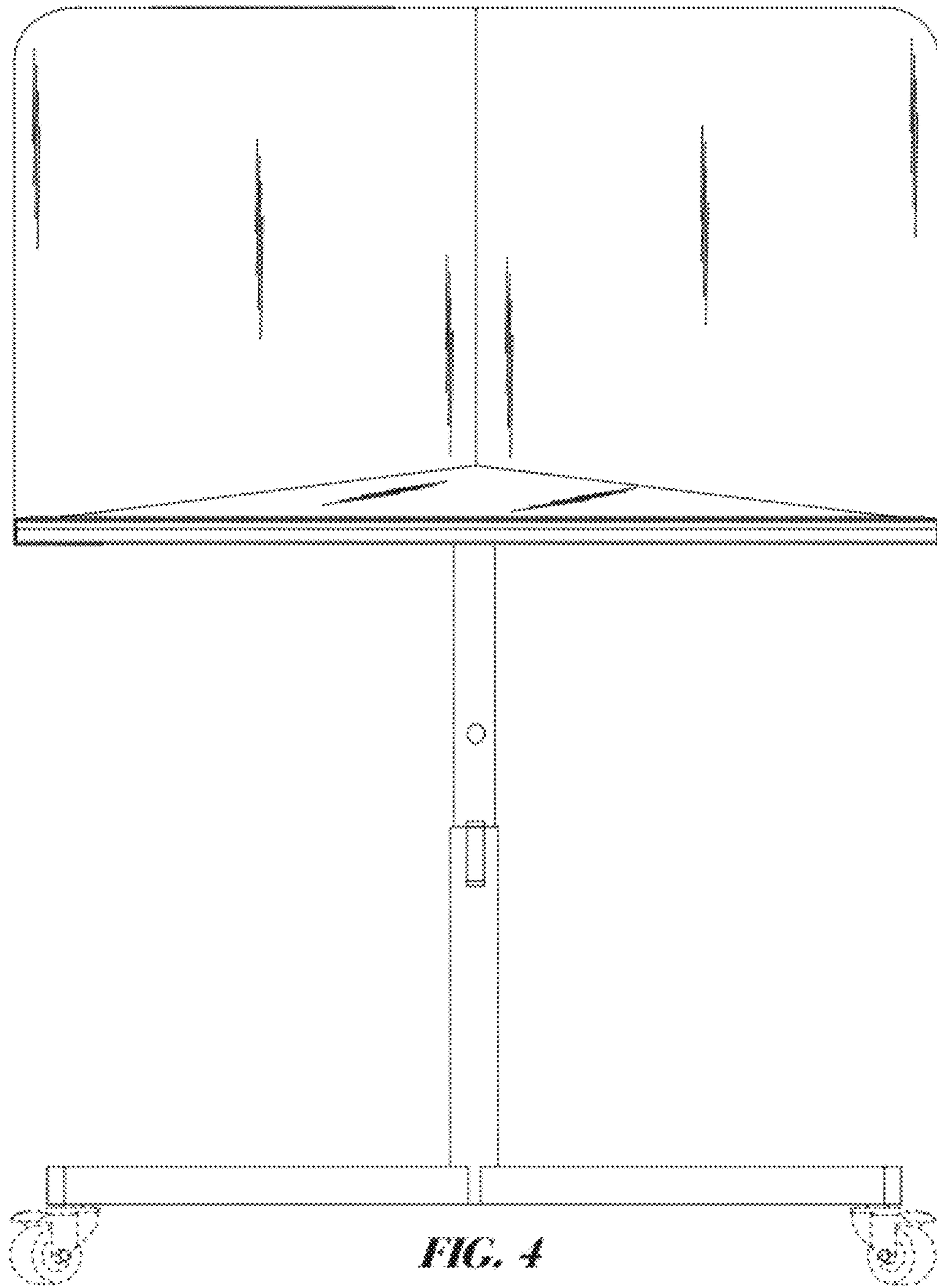
**FIG. 1**



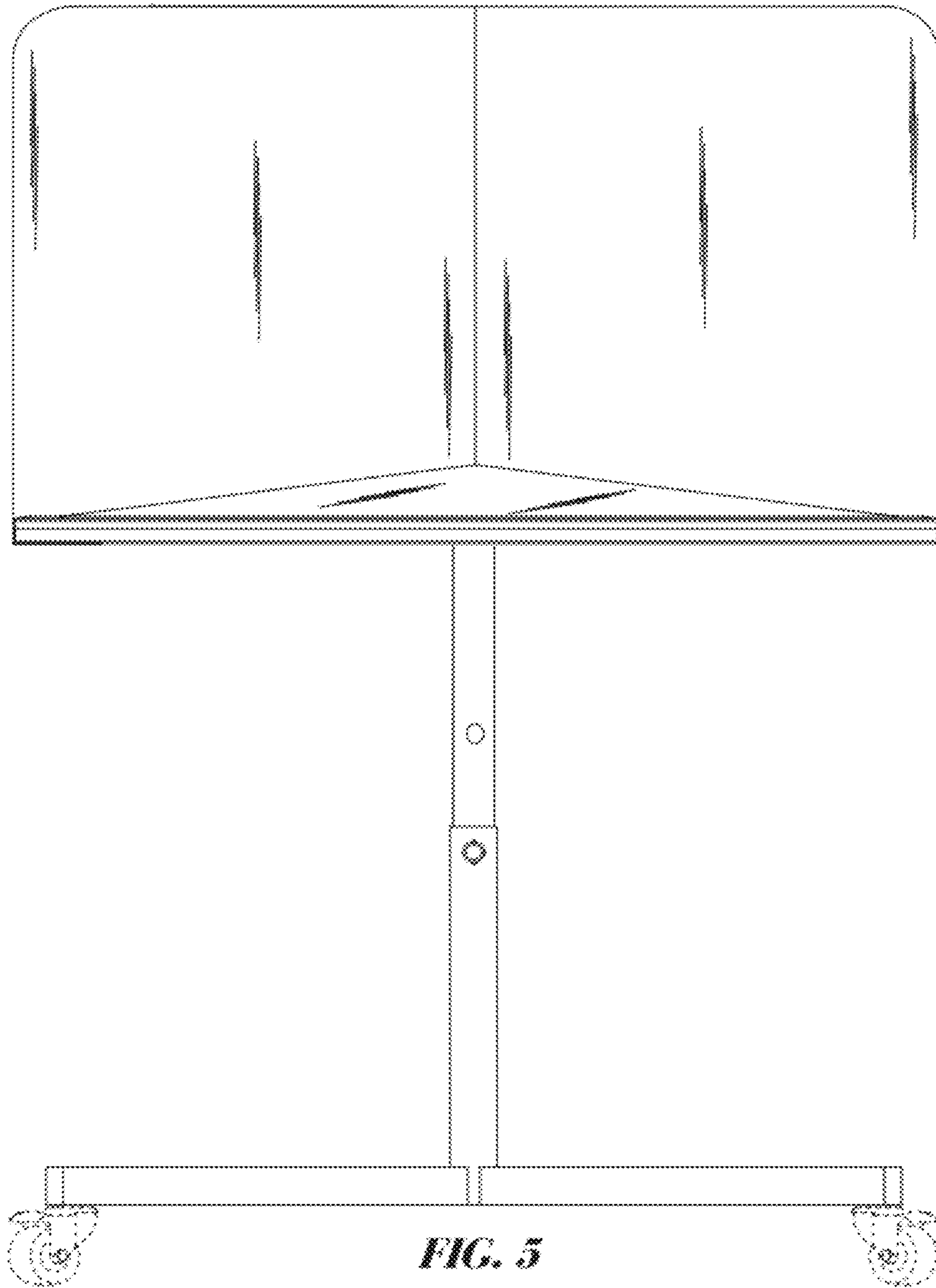
**FIG. 2**



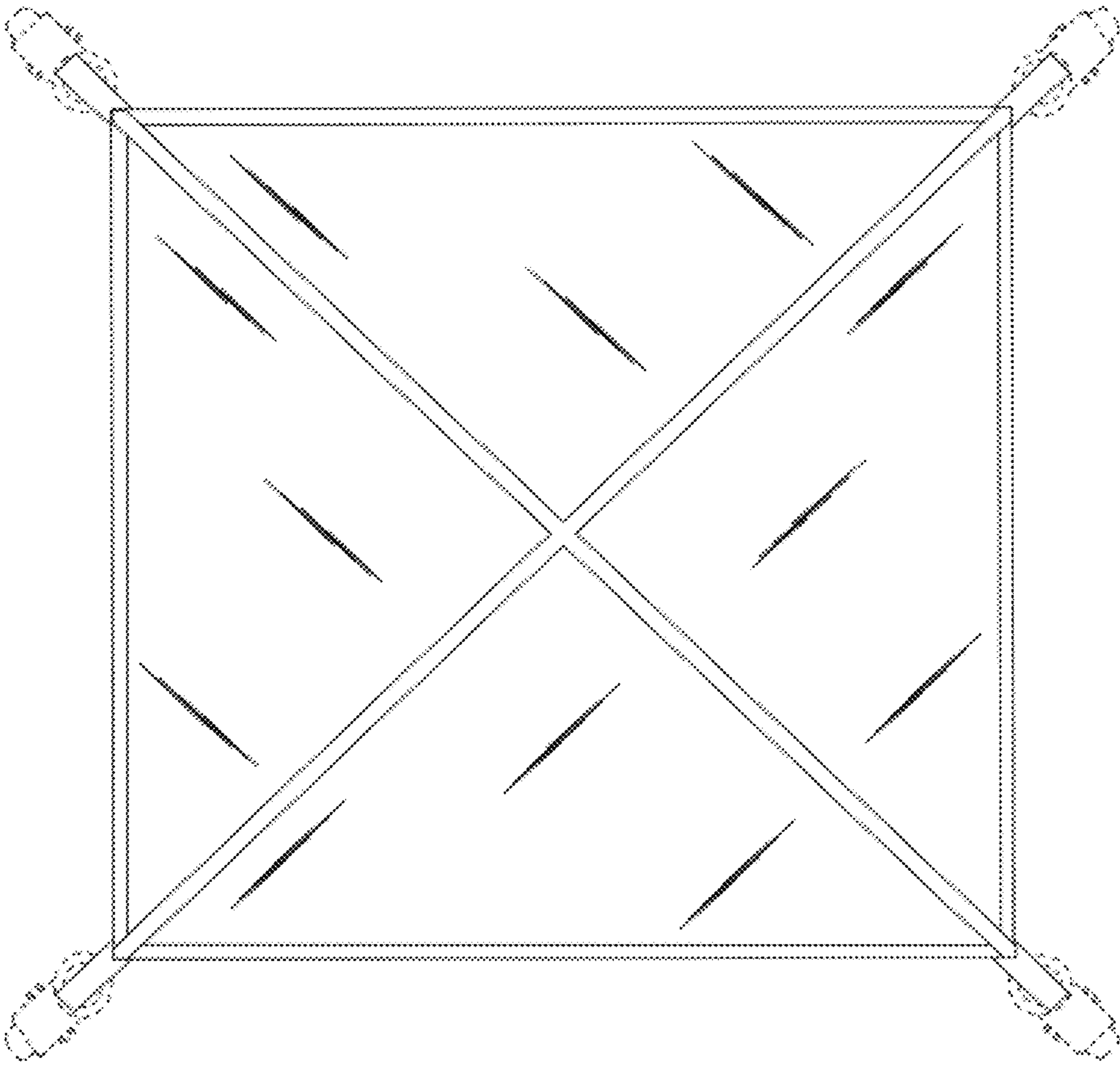
**FIG. 3**



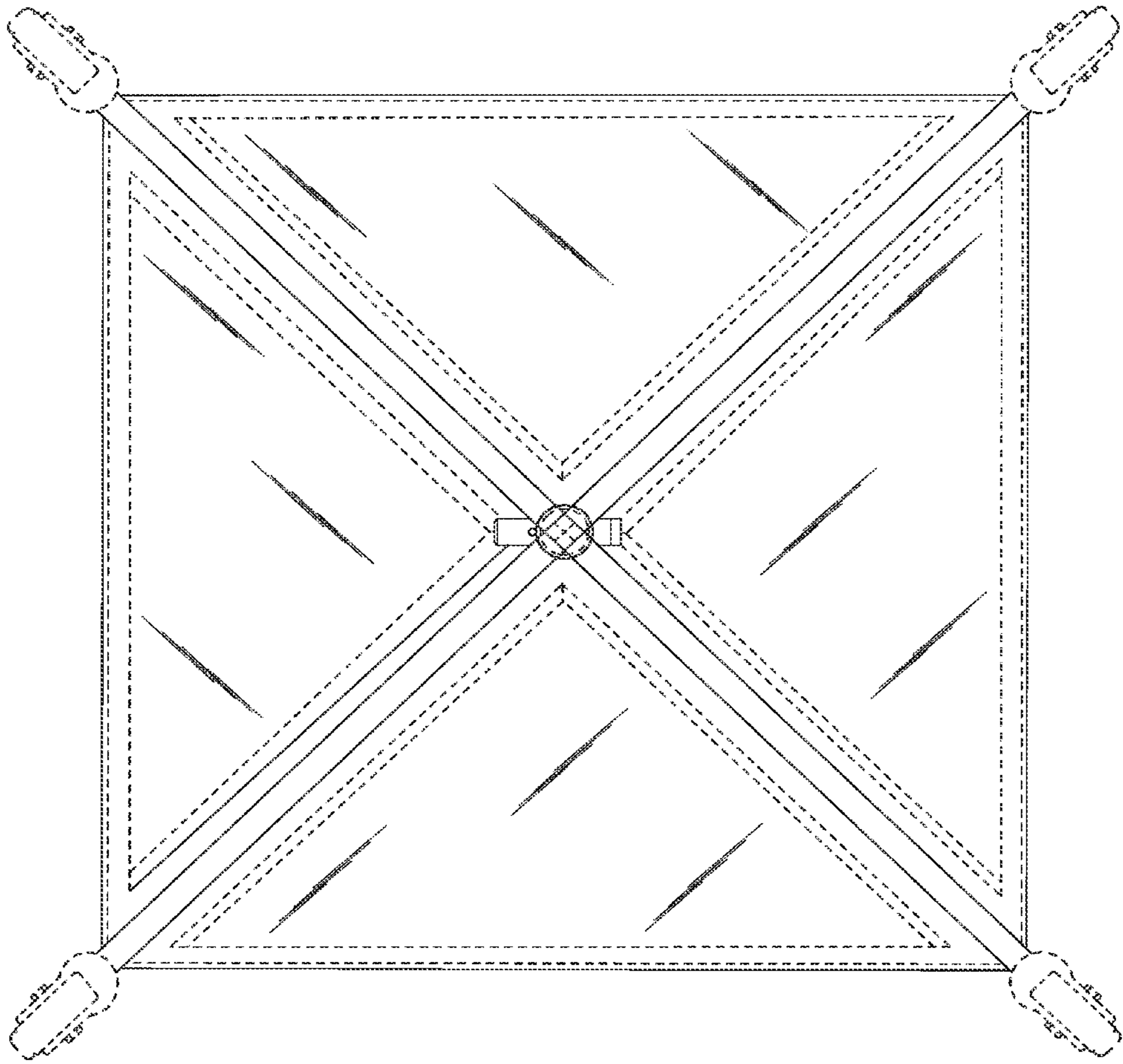
*FIG. 4*



**FIG. 5**



**FIG. 6**



**FIG. 7**