



US00D671765S

(12) **United States Design Patent**
Pazhoor

(10) **Patent No.:** **US D671,765 S**
(45) **Date of Patent:** **** Dec. 4, 2012**

(54) **PORTABLE DUAL VOTING BOOTH**
(75) Inventor: **Mohamed S Pazhoor**, West Palm Beach,
FL (US)
(73) Assignee: **Naztec International Group LLC**, West
Palm Beach, FL (US)

D548,496 S * 8/2007 Samtani et al. D6/486
D603,621 S * 11/2009 Abel et al. D6/421
D616,667 S * 6/2010 Pazhoor D6/421
D616,668 S * 6/2010 Pazhoor D6/421

* cited by examiner

(**) Term: **14 Years**

(57) **CLAIM**

The ornamental design for a portable dual voting booth, as shown and described.

(21) Appl. No.: **29/403,858**

(22) Filed: **Oct. 12, 2011**

DESCRIPTION

(51) **LOC (9) Cl.** **06-03**
(52) **U.S. Cl.** **D6/421**
(58) **Field of Classification Search** D6/419-428,
D6/429, 487, 498, 486; 312/194-196, 198,
312/6, 262; 108/50.01, 50.02, 60; 235/51,
235/50 R; 52/36.1, 36.4
See application file for complete search history.

FIG. 1 is a front perspective view of the portable dual voting booth of the instant invention;
FIG. 2 is a front view thereof;
FIG. 3 is a rear view thereof;
FIG. 4 is a right side view thereof;
FIG. 5 is a left side view thereof;
FIG. 6 is a top view thereof; and,
FIG. 7 is a bottom view thereof.

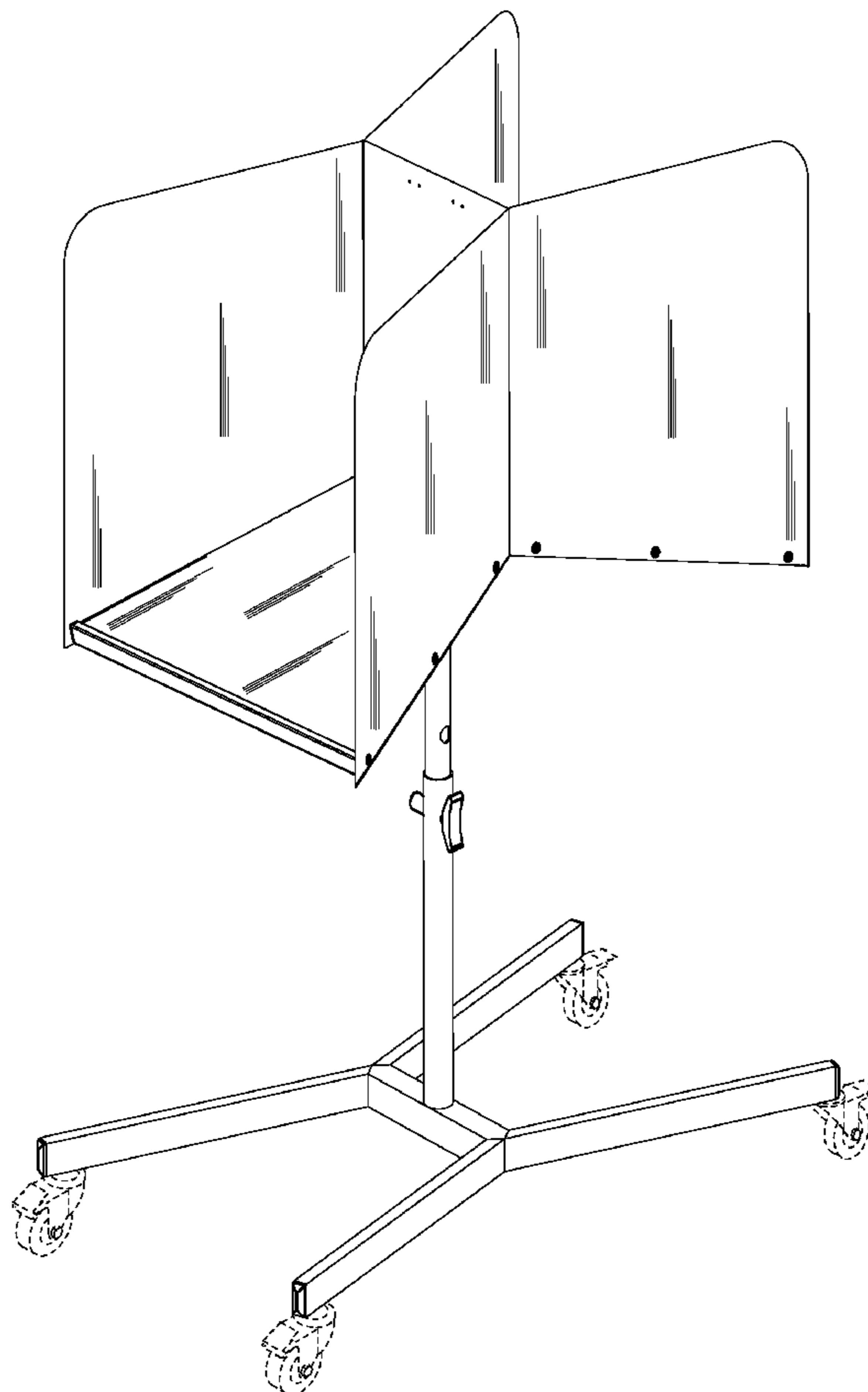
The portions of the figures illustrated in broken lines are for illustrative purposes only and no part of the claimed subject matter.

(56) **References Cited**

U.S. PATENT DOCUMENTS

D189,753 S * 2/1961 Clark D6/475
D216,991 S * 3/1970 Glanfagna D6/421
D415,635 S * 10/1999 Bengtsson D6/486

1 Claim, 7 Drawing Sheets



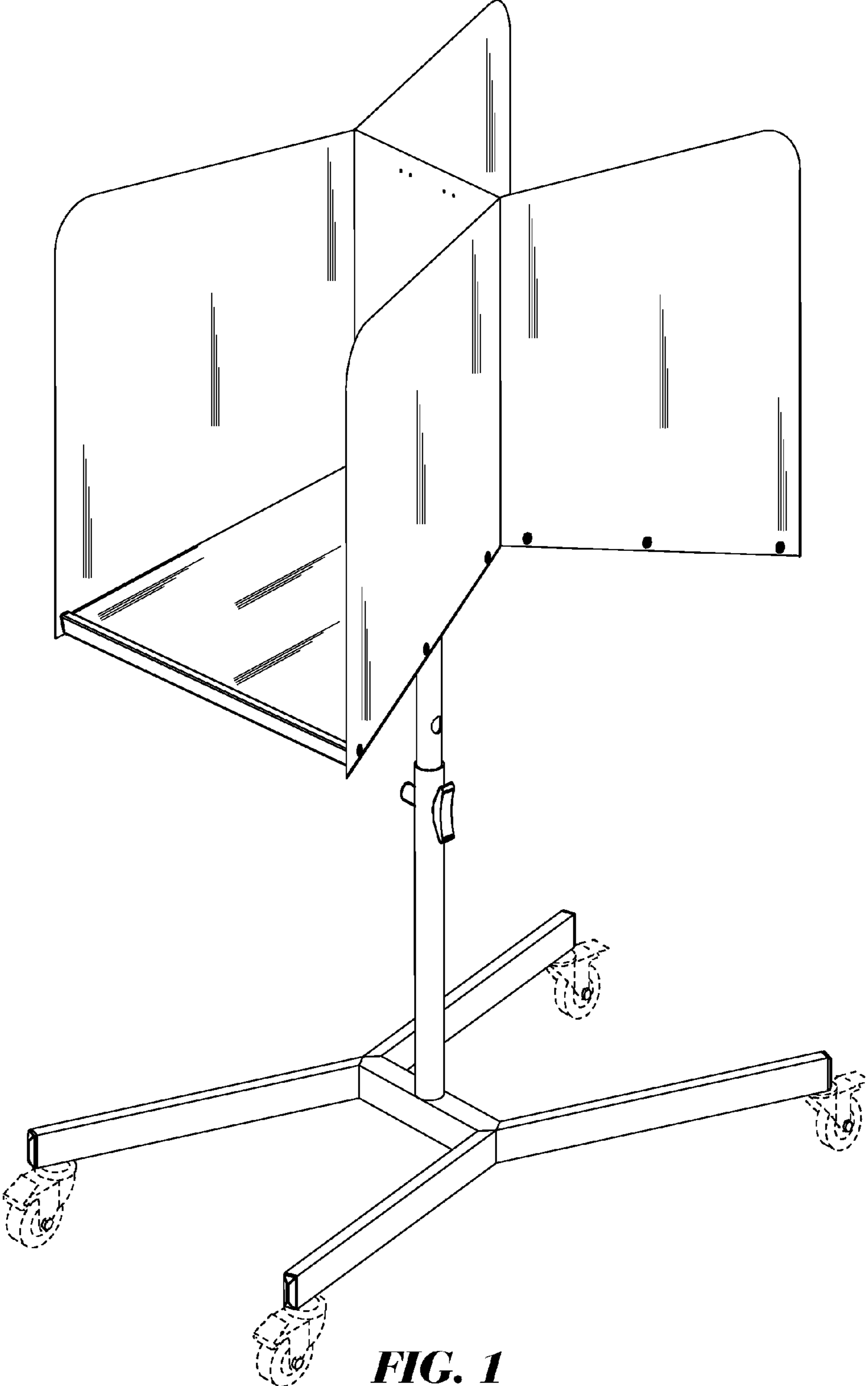


FIG. 1

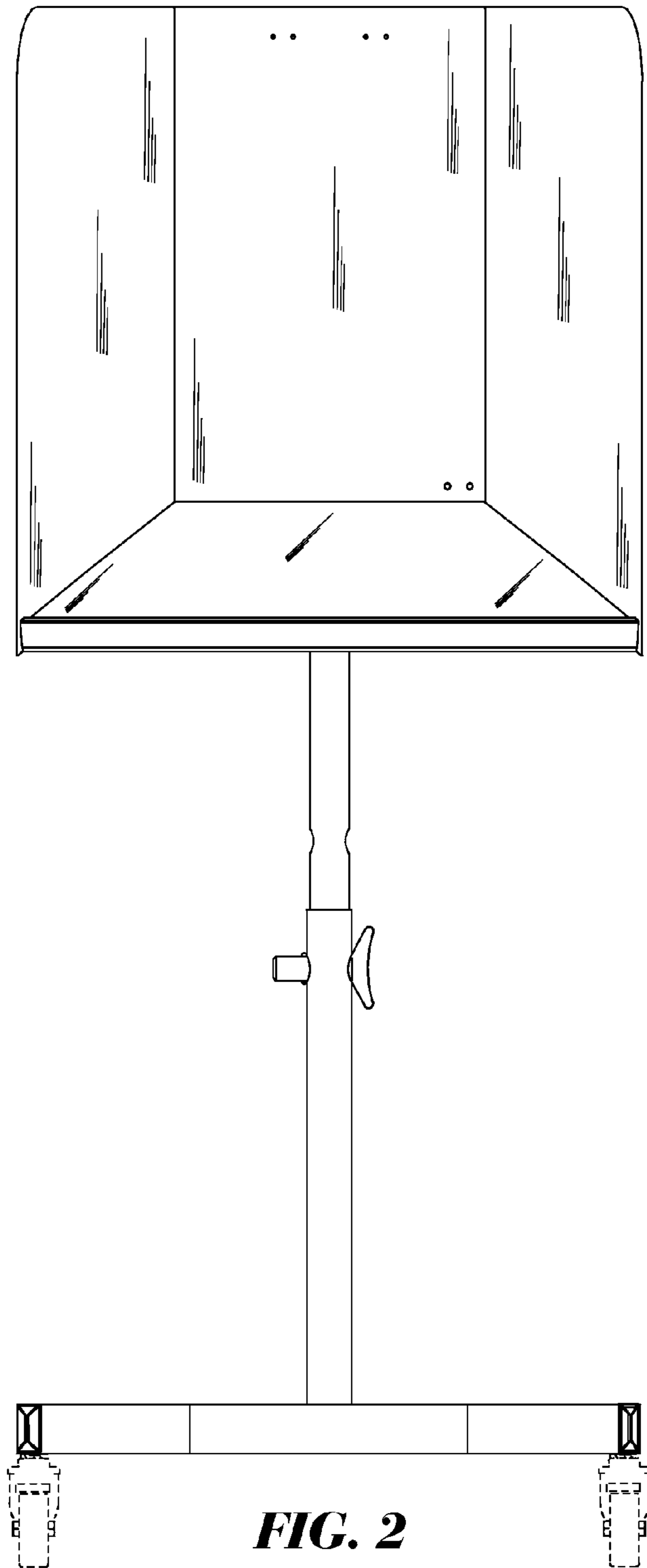


FIG. 2

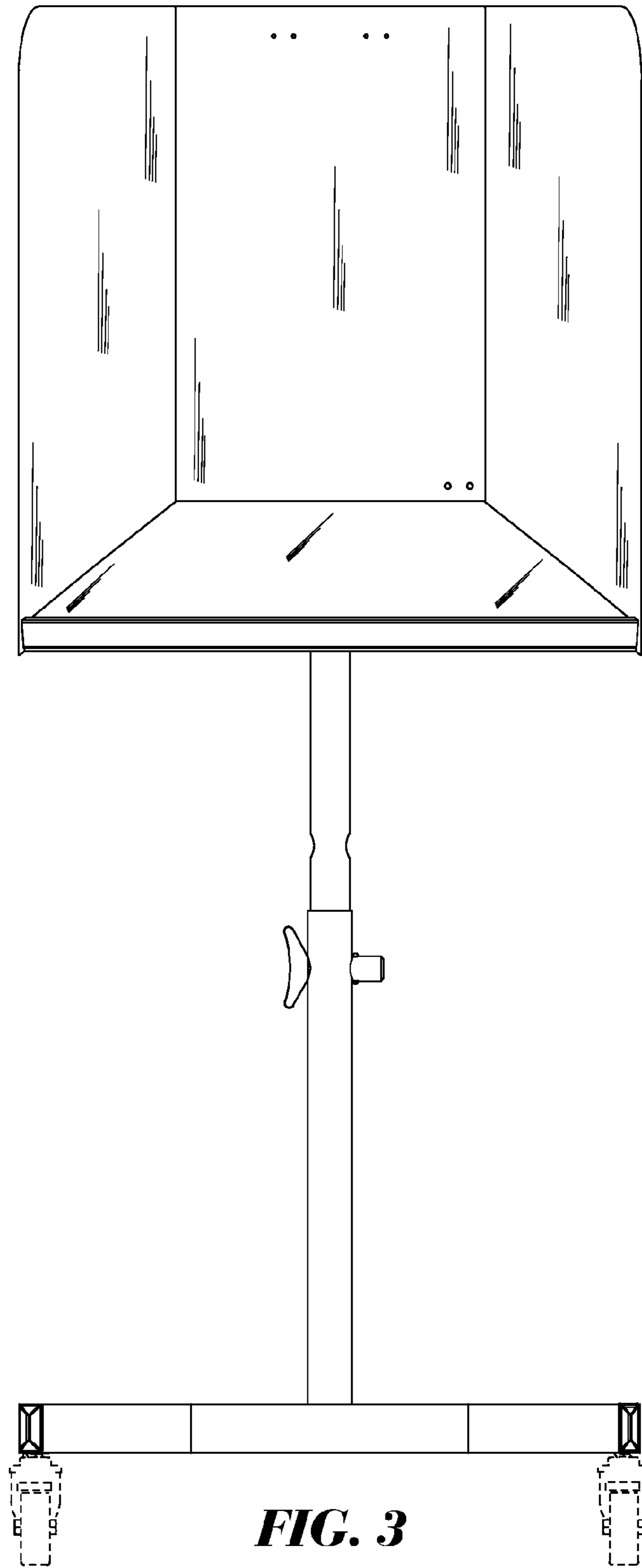


FIG. 3

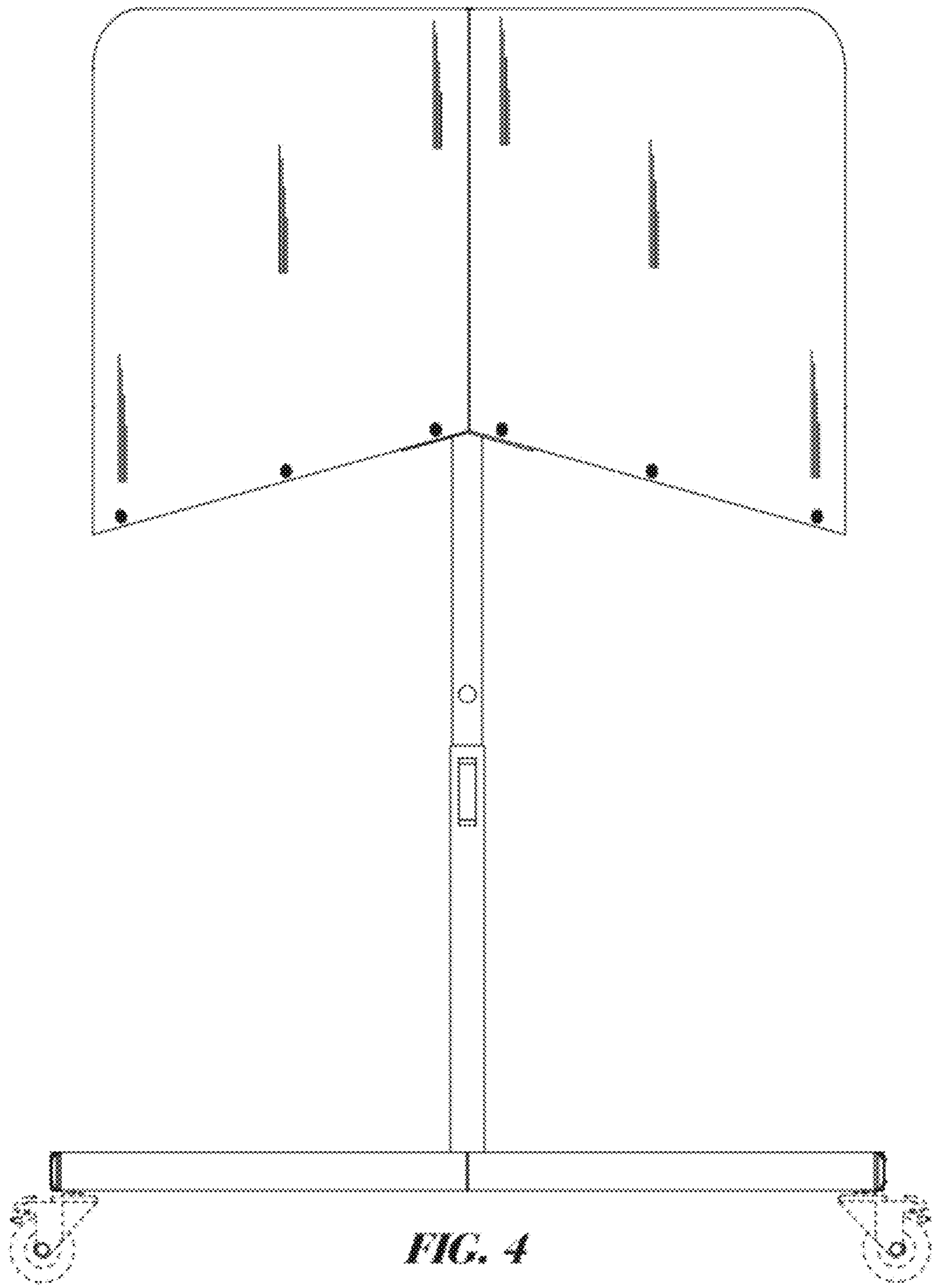


FIG. 4

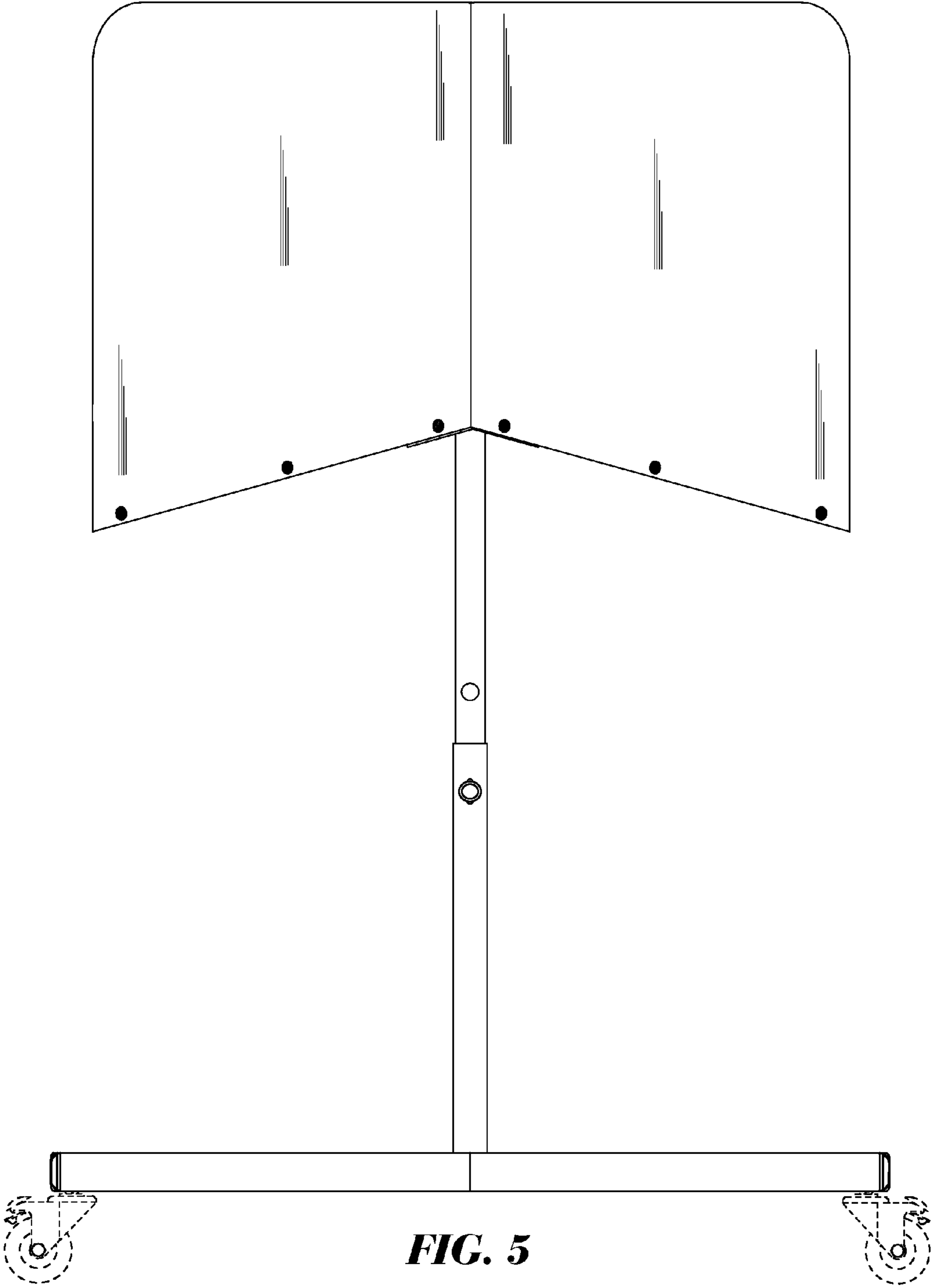


FIG. 5

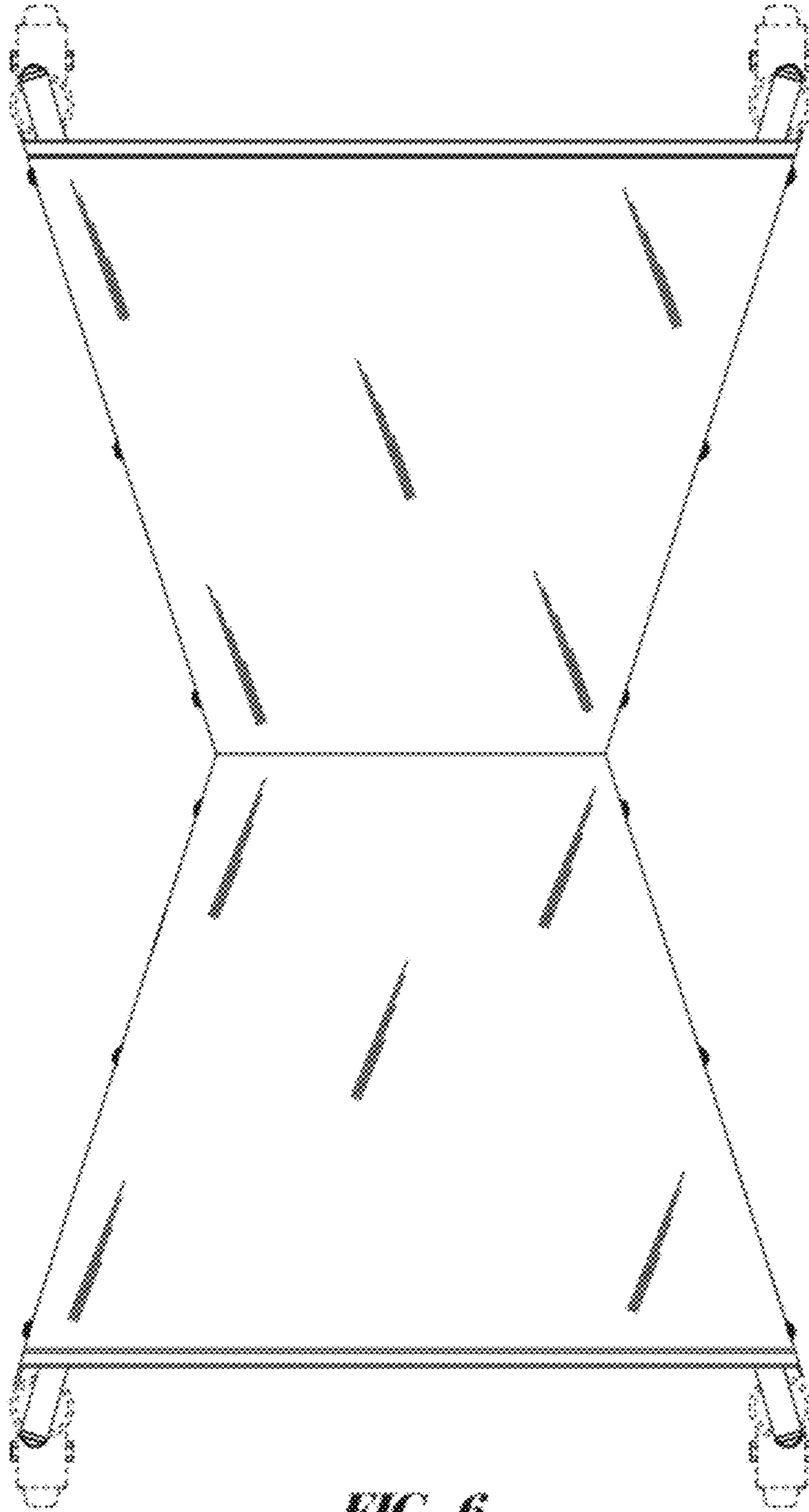


FIG. 6

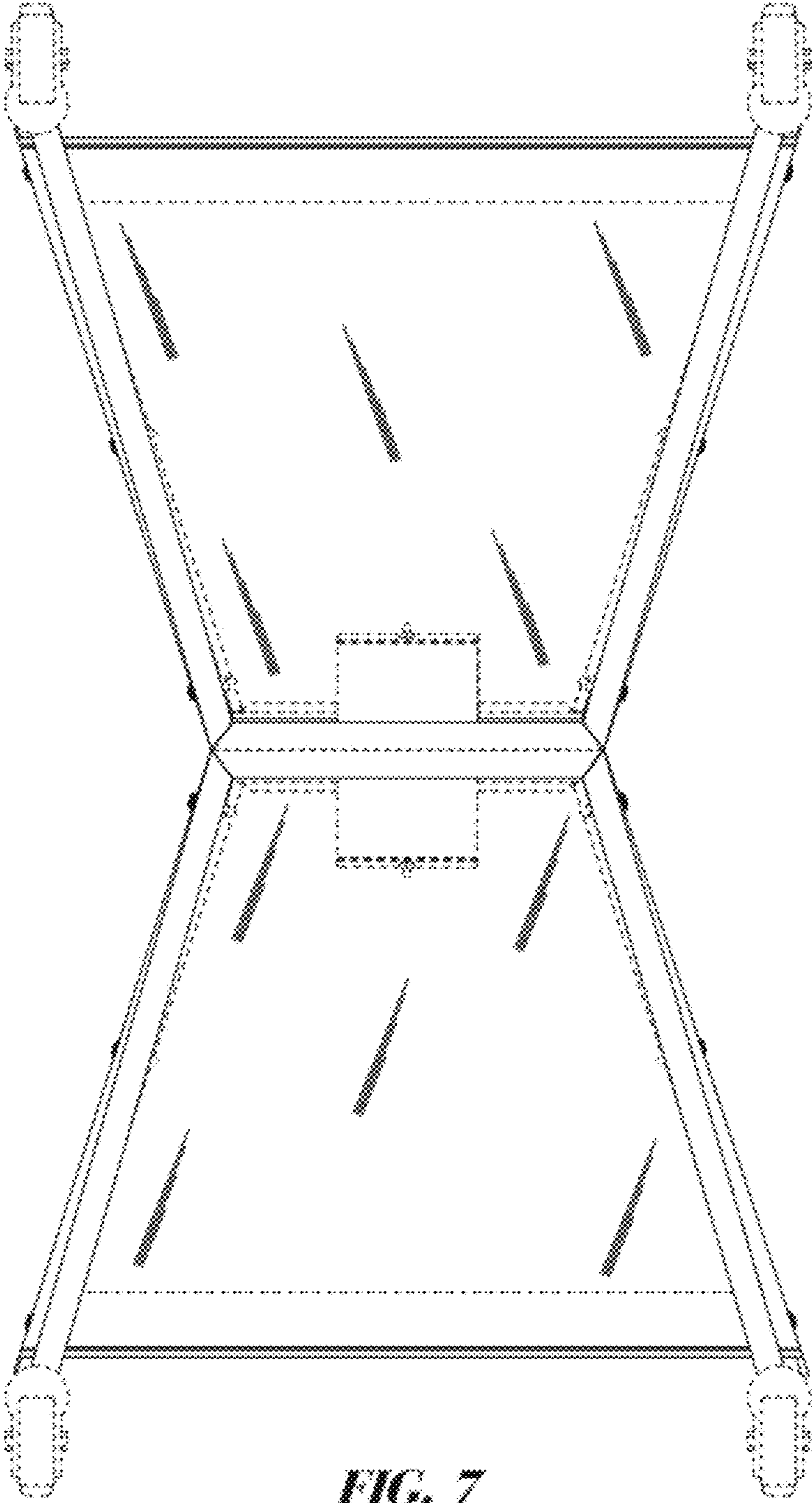


FIG. 7