



US00D671764S

(12) **United States Design Patent**  
**Pazhoor**

(10) **Patent No.:** **US D671,764 S**  
(45) **Date of Patent:** **\*\* Dec. 4, 2012**

- (54) **STANDARD, HANDICAPPED ACCESSIBLE PORTABLE VOTING BOOTH**
- (75) Inventor: **Mohamed S Pazhoor**, West Palm Beach, FL (US)
- (73) Assignee: **Naztec International Group LLC**, West Palm Beach, FL (US)
- (\*\*) Term: **14 Years**
- (21) Appl. No.: **29/403,305**
- (22) Filed: **Oct. 4, 2011**
- (51) **LOC (9) Cl.** ..... **06-03**
- (52) **U.S. Cl.** ..... **D6/421**
- (58) **Field of Classification Search** ..... D6/419-428, D6/429, 487; 312/194-196, 198, 6, 262; 108/50.01, 50.02, 60; 235/51, 50 R; 52/36.1, 52/36.4  
See application file for complete search history.

D616,667 S \* 6/2010 Pazhoor ..... D6/421  
 D622,975 S \* 9/2010 Abel et al. .... D6/421  
 D646,502 S \* 10/2011 Pazhoor ..... D6/421

\* cited by examiner

*Primary Examiner* — Janice Seeger

(57) **CLAIM**  
 The ornamental design for a standard, handicapped accessible portable voting booth, as shown and described.

**DESCRIPTION**

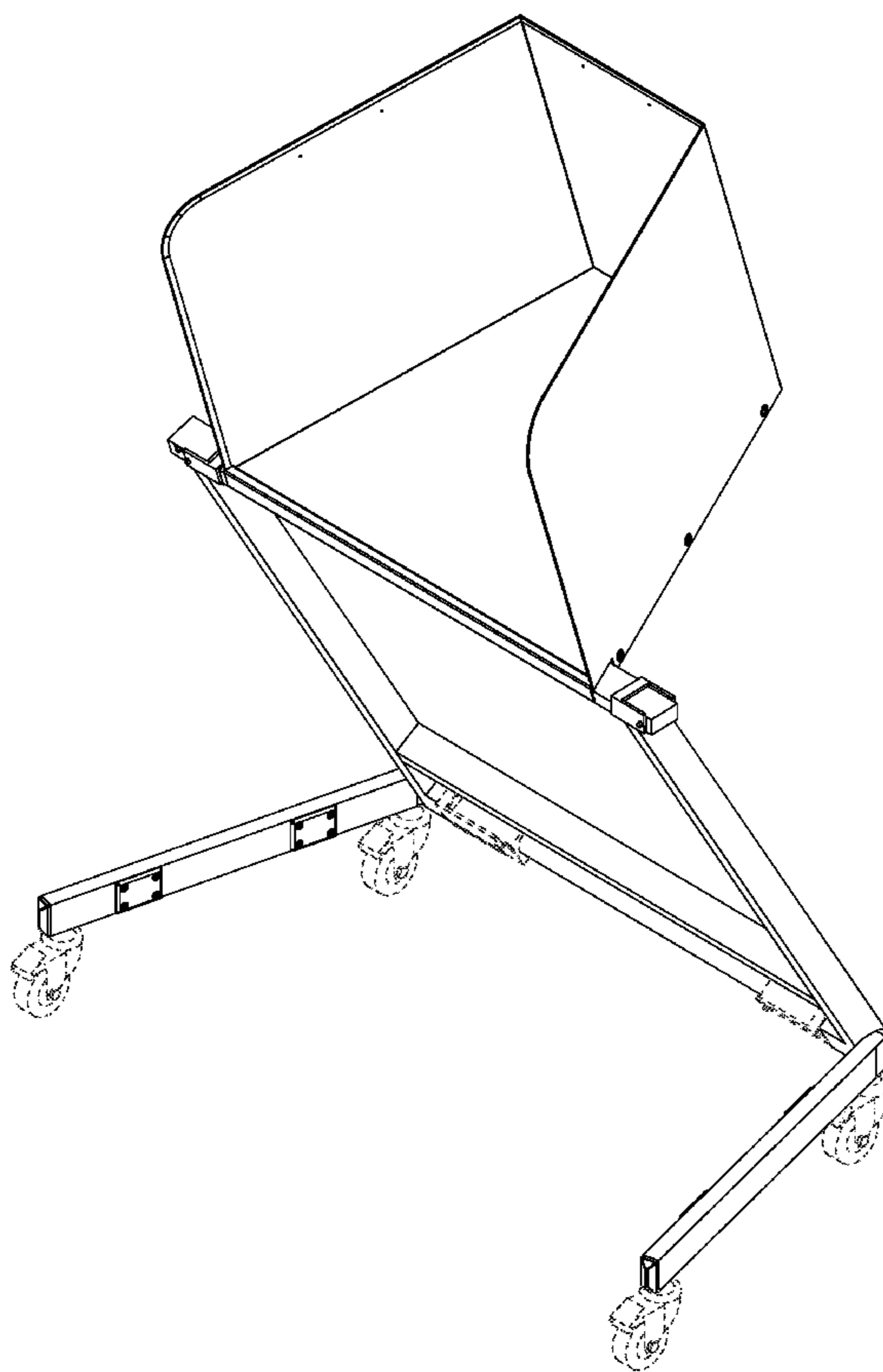
FIG. 1 is a front perspective view of the standard, handicapped accessible portable voting booth of the instant invention;  
 FIG. 2 is a front view thereof;  
 FIG. 3 is a rear view thereof;  
 FIG. 4 is a right side view thereof;  
 FIG. 5 is a left side view thereof;  
 FIG. 6 is a top view thereof;  
 FIG. 7 is a bottom view thereof; and,  
 FIG. 8 is a perspective view of multiple standard, handicapped accessible portable voting booth of the instant invention in a nested configuration.  
 The portions of the figures illustrated in broken lines are for illustrative purposes only and no part of the claimed subject matter.

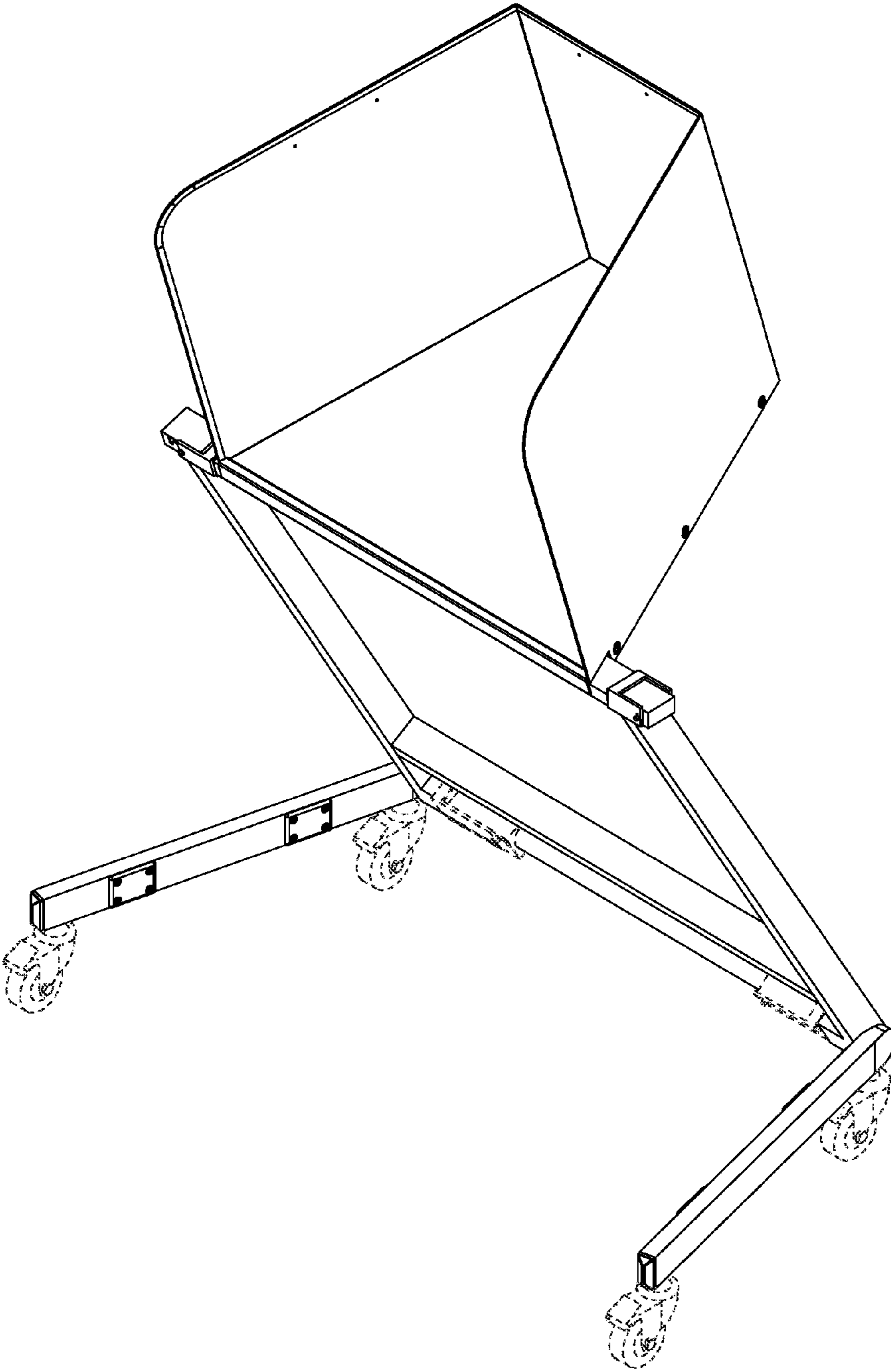
(56) **References Cited**

**U.S. PATENT DOCUMENTS**

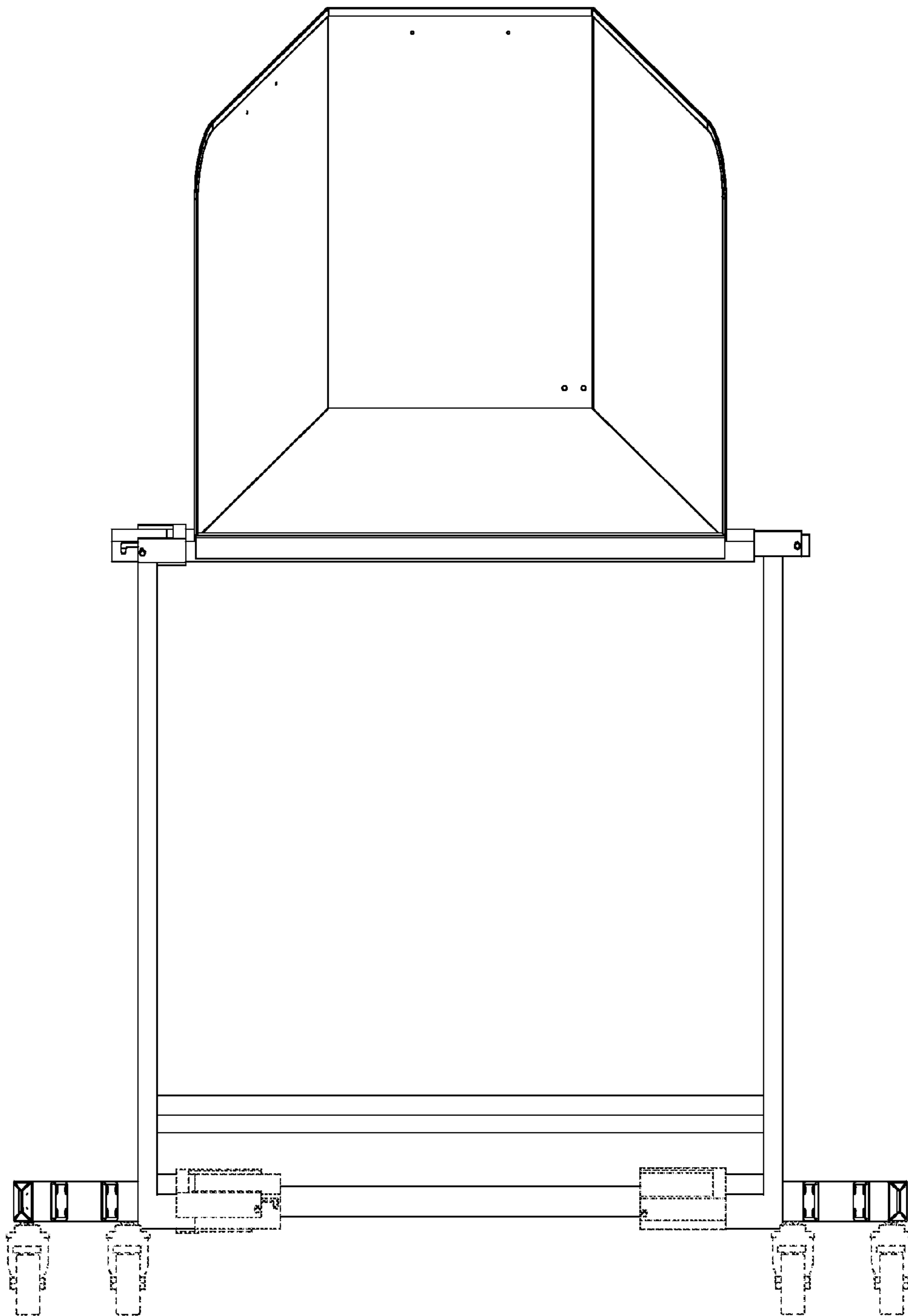
- D603,183 S \* 11/2009 Abel et al. .... D6/421
- D603,621 S \* 11/2009 Abel et al. .... D6/421
- D616,217 S \* 5/2010 Abel et al. .... D6/421

**1 Claim, 8 Drawing Sheets**

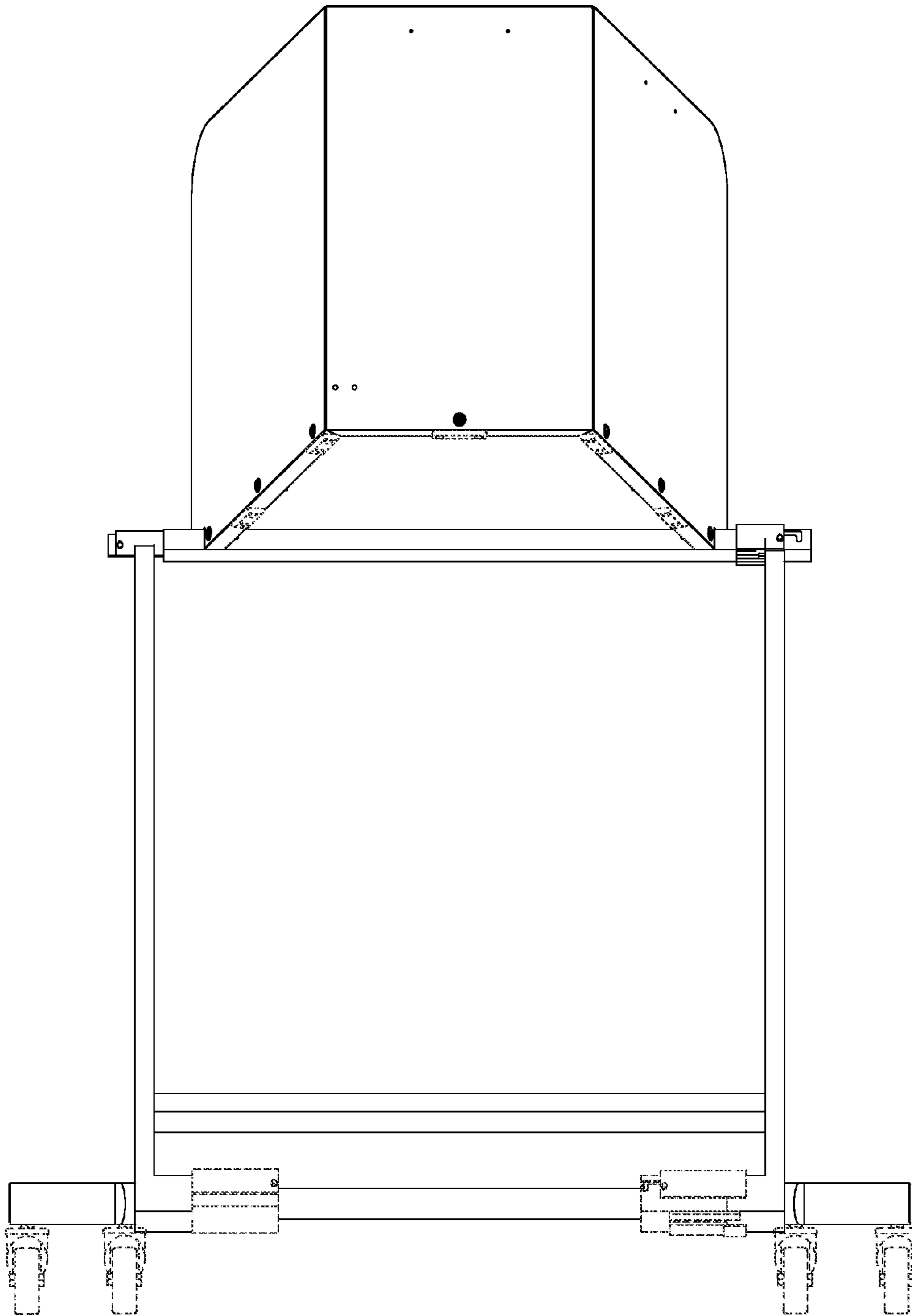




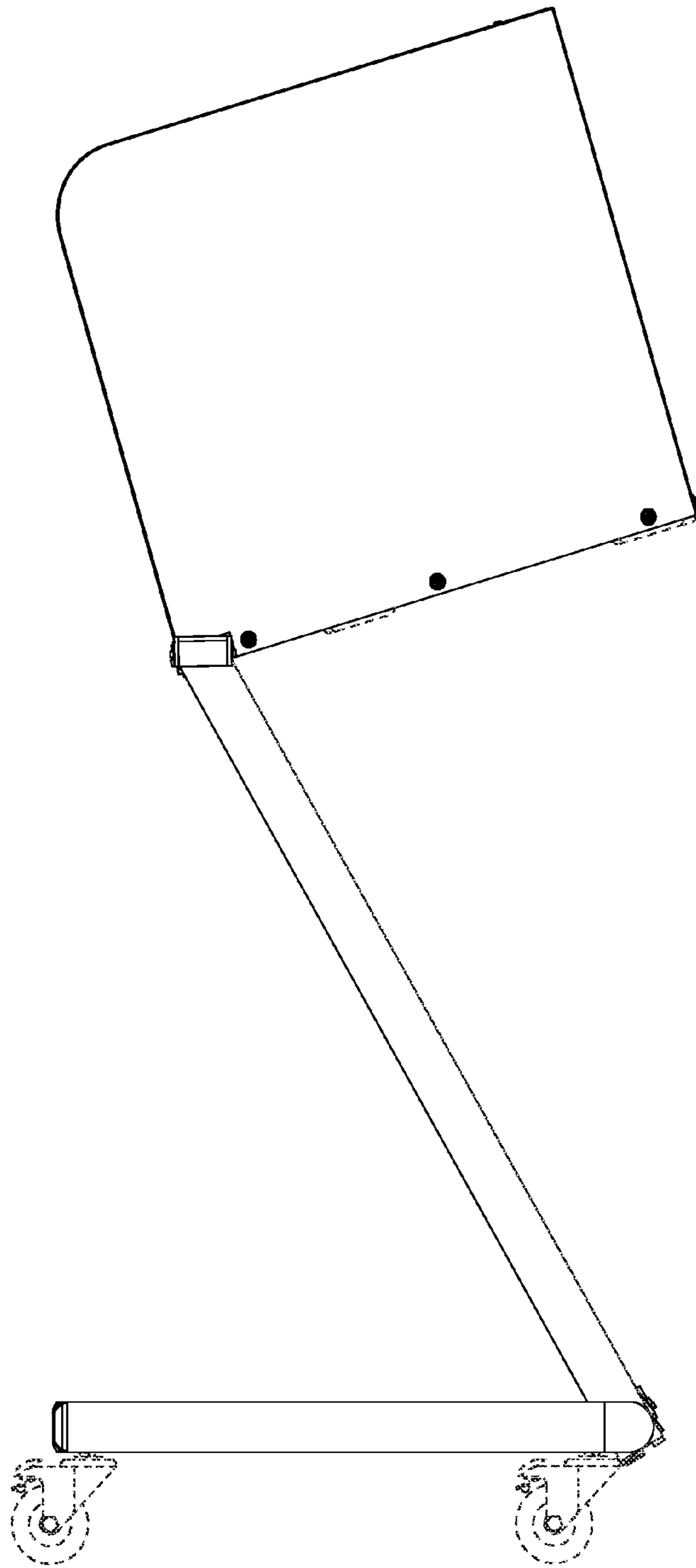
**FIG. 1**



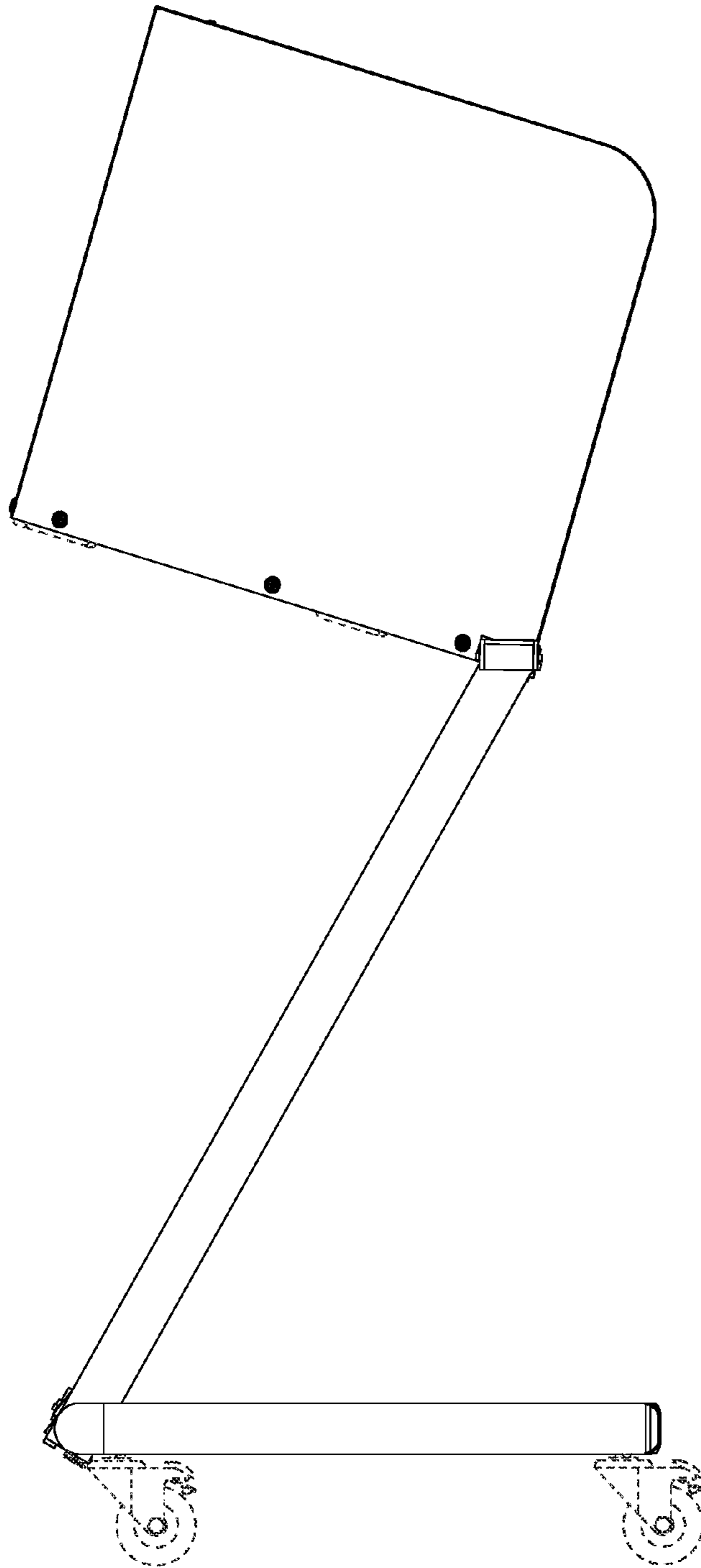
**FIG. 2**



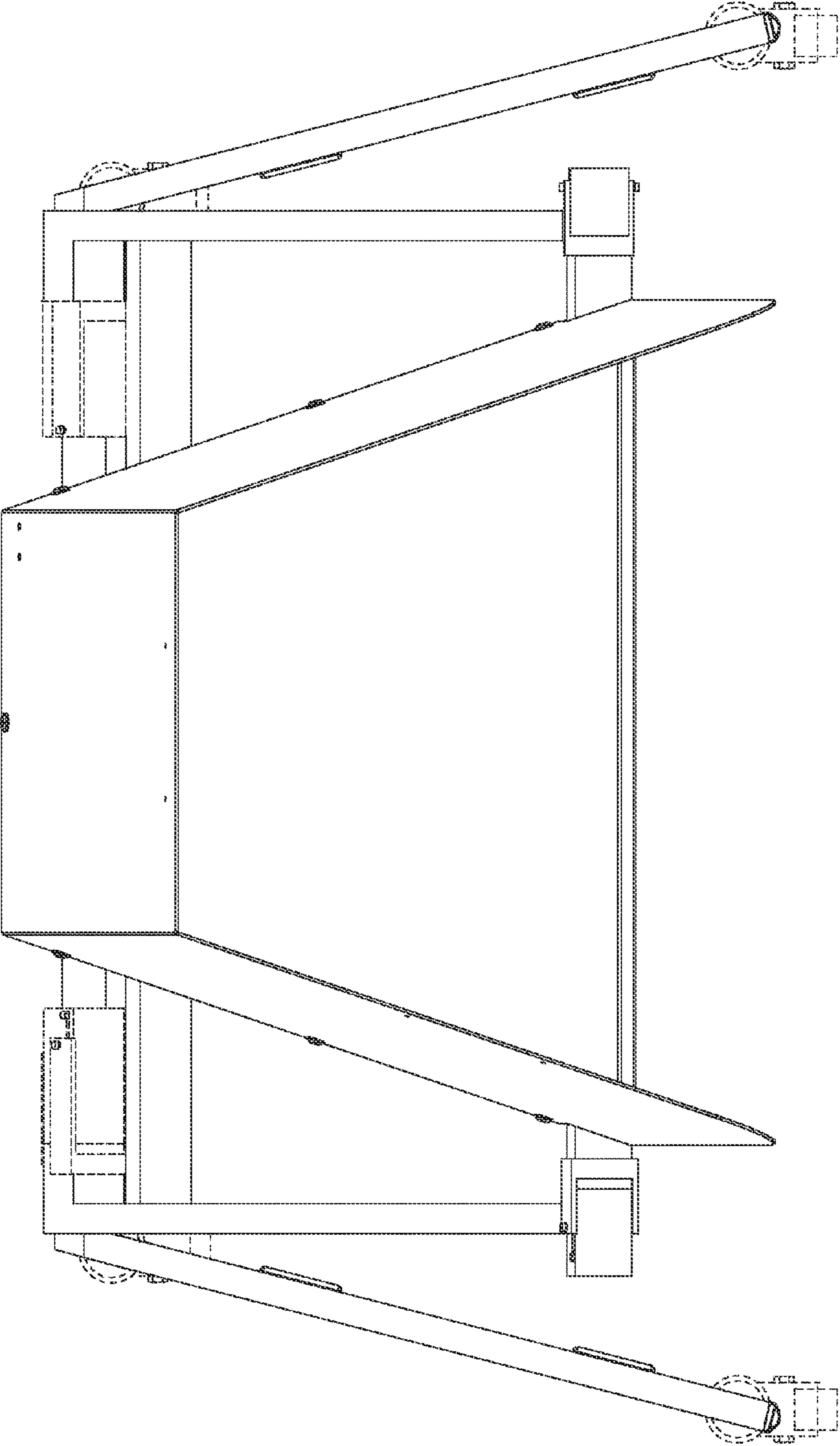
**FIG. 3**



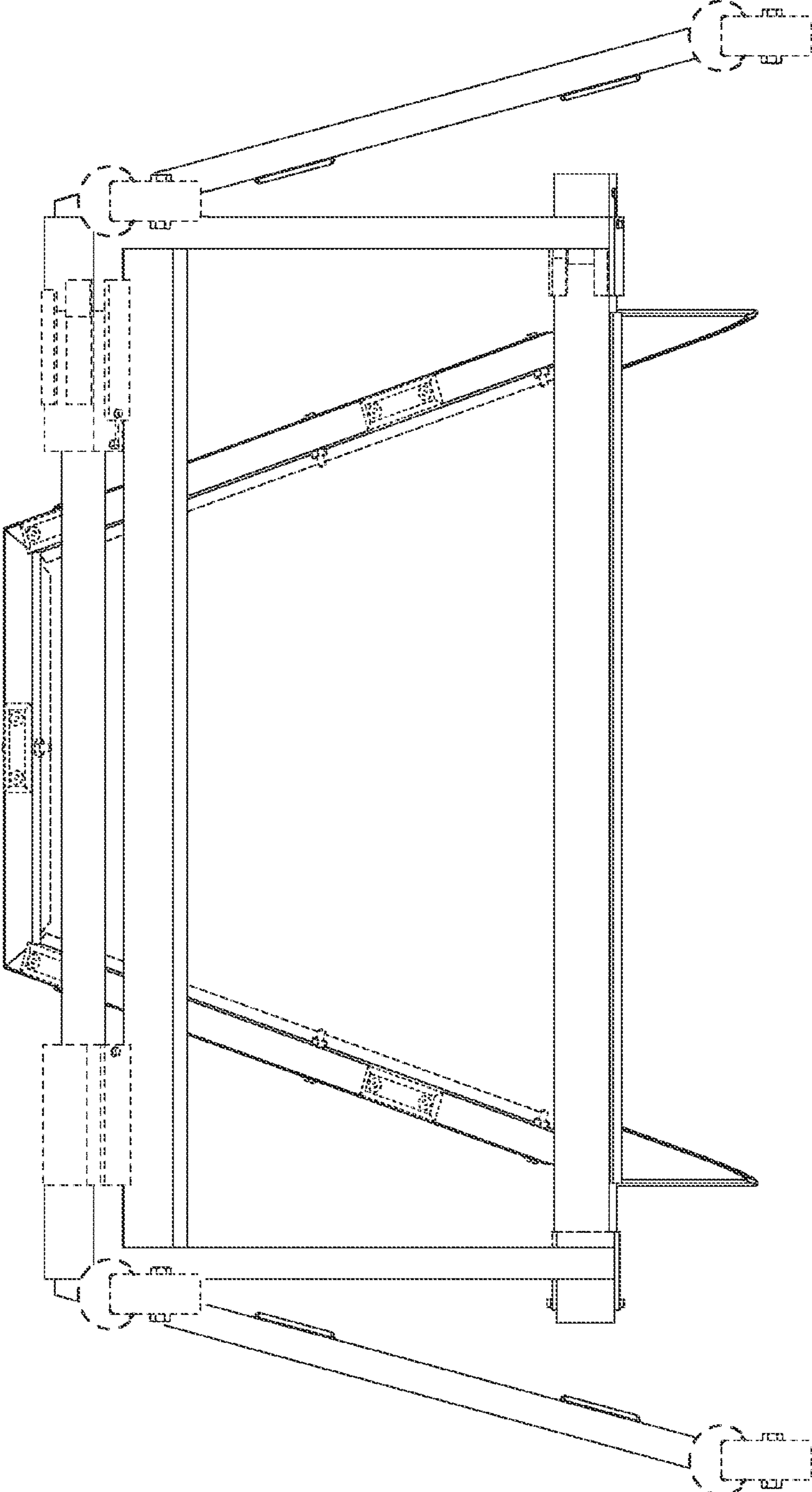
**FIG. 4**



*FIG. 5*

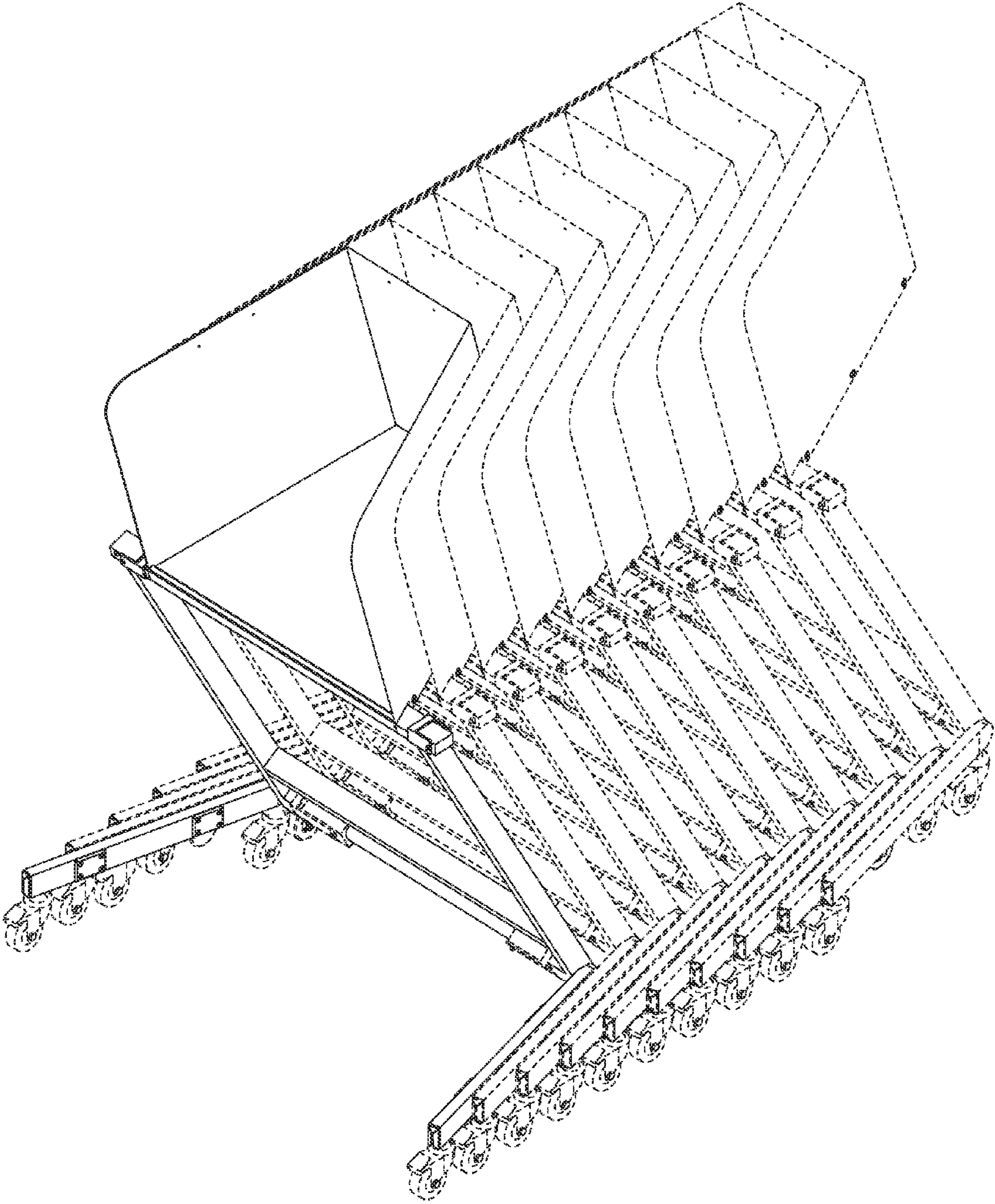


*FIG. 6*



*FIG. 7*





**FIG. 8**