



US00D671761S

(12) **United States Design Patent**
Risdall

(10) **Patent No.:** **US D671,761 S**

(45) **Date of Patent:** **** Dec. 4, 2012**

(54) **MODULAR CHAT CHAIR**

(75) Inventor: **William Risdall**, Dallas, TX (US)

(73) Assignee: **Smith System**, Plano, TX (US)

(**) Term: **14 Years**

(21) Appl. No.: **29/407,309**

(22) Filed: **Nov. 28, 2011**

(51) **LOC (9) Cl.** **06-01**

(52) **U.S. Cl.** **D6/373**

(58) **Field of Classification Search** D6/334-336,
D6/371, 372, 373, 374, 379, 380, 500-502;
297/445.1, 446.1, 451.3, 451.7, 447.2, 447.3,
297/448.2, 452.2

See application file for complete search history.

(56) **References Cited**

U.S. PATENT DOCUMENTS

D230,788 S *	3/1974	Petersen	D6/372
D245,551 S *	8/1977	De Fuccio	D6/373
D250,559 S *	12/1978	Petersen	D6/372
D260,584 S *	9/1981	Albinson	D6/373
D272,967 S *	3/1984	Umanoff	D6/372

D274,579 S *	7/1984	Diffrient	D6/372
D286,589 S *	11/1986	Petitt	D6/373
D301,810 S *	6/1989	Snodgrass	D6/373
D310,453 S *	9/1990	Snodgrass	D6/372
D572,927 S *	7/2008	Bernett et al.	D6/372

* cited by examiner

Primary Examiner — Mimosa De

(74) *Attorney, Agent, or Firm* — Winthrop & Weinstine, P.A.

(57) **CLAIM**

The ornamental design for a modular chat chair, as shown and described.

DESCRIPTION

FIG. 1 is a front perspective view of the modular chat chair showing the design.

FIG. 2 is a front elevational view thereof.

FIG. 3 is a rear elevational view thereof.

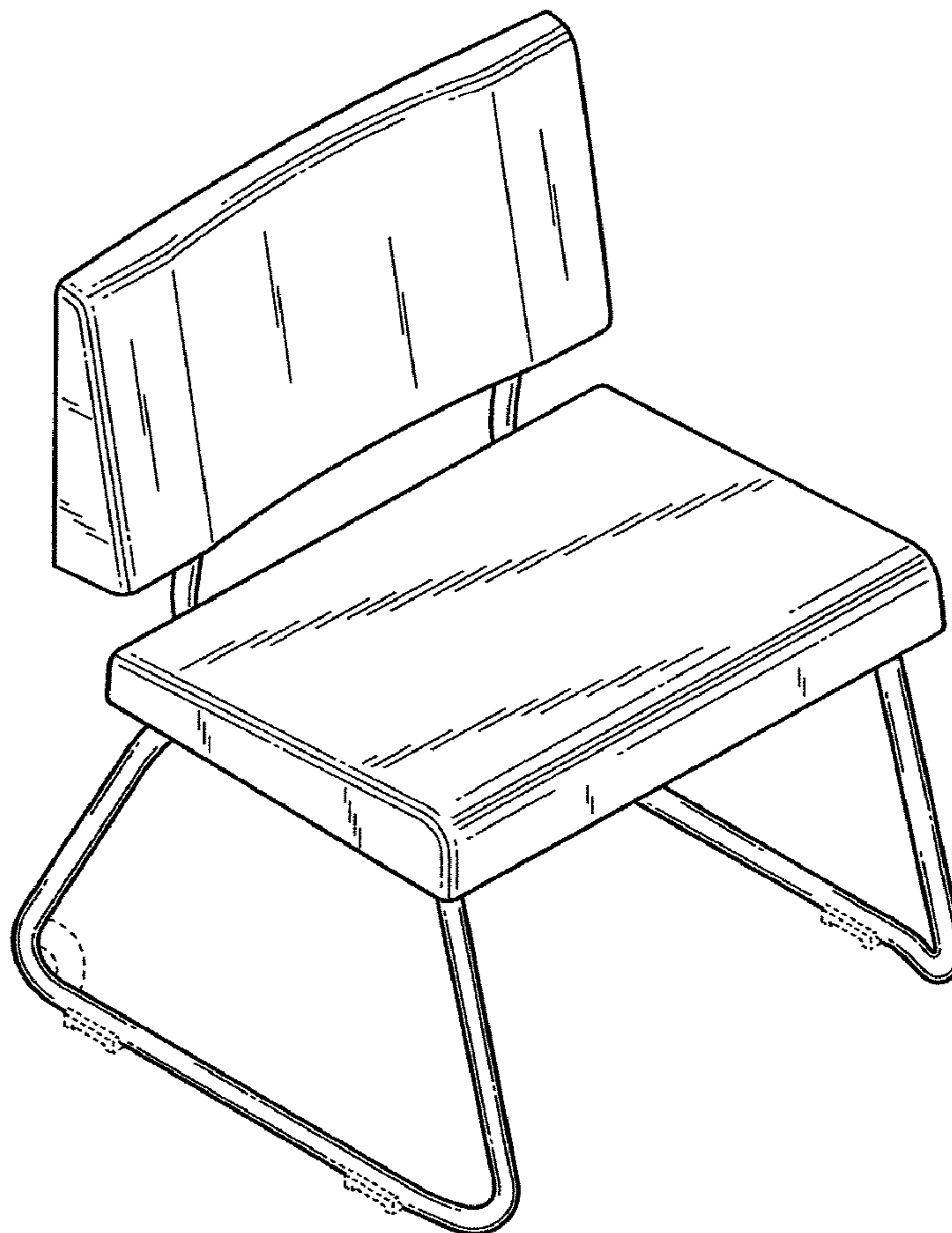
FIG. 4 is a top plan view thereof.

FIG. 5 is a bottom plan view thereof; and,

FIG. 6 is a side view thereof.

The portions of the disclosure shown in broken lines form no part of the claimed design.

1 Claim, 4 Drawing Sheets



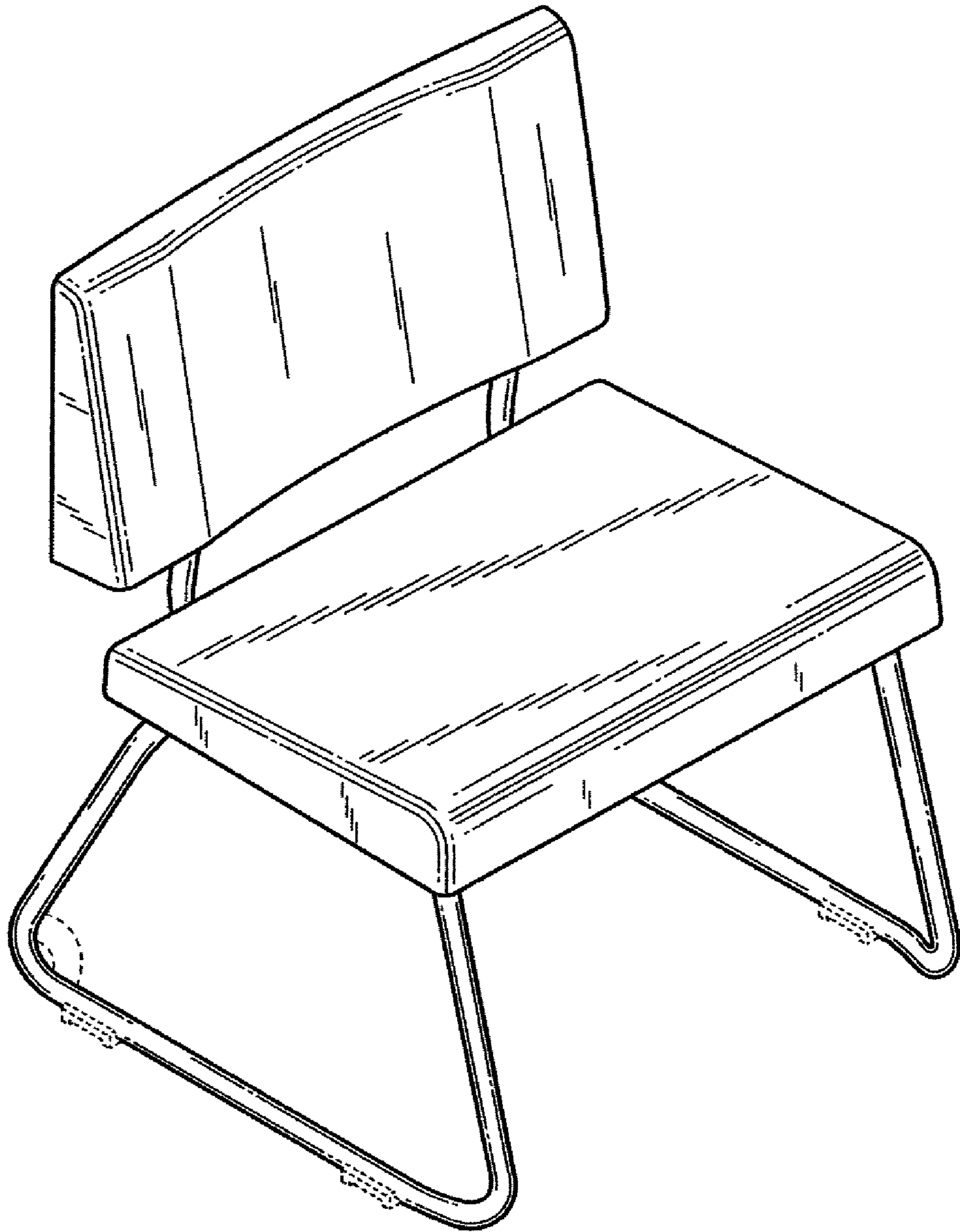


Fig. 1

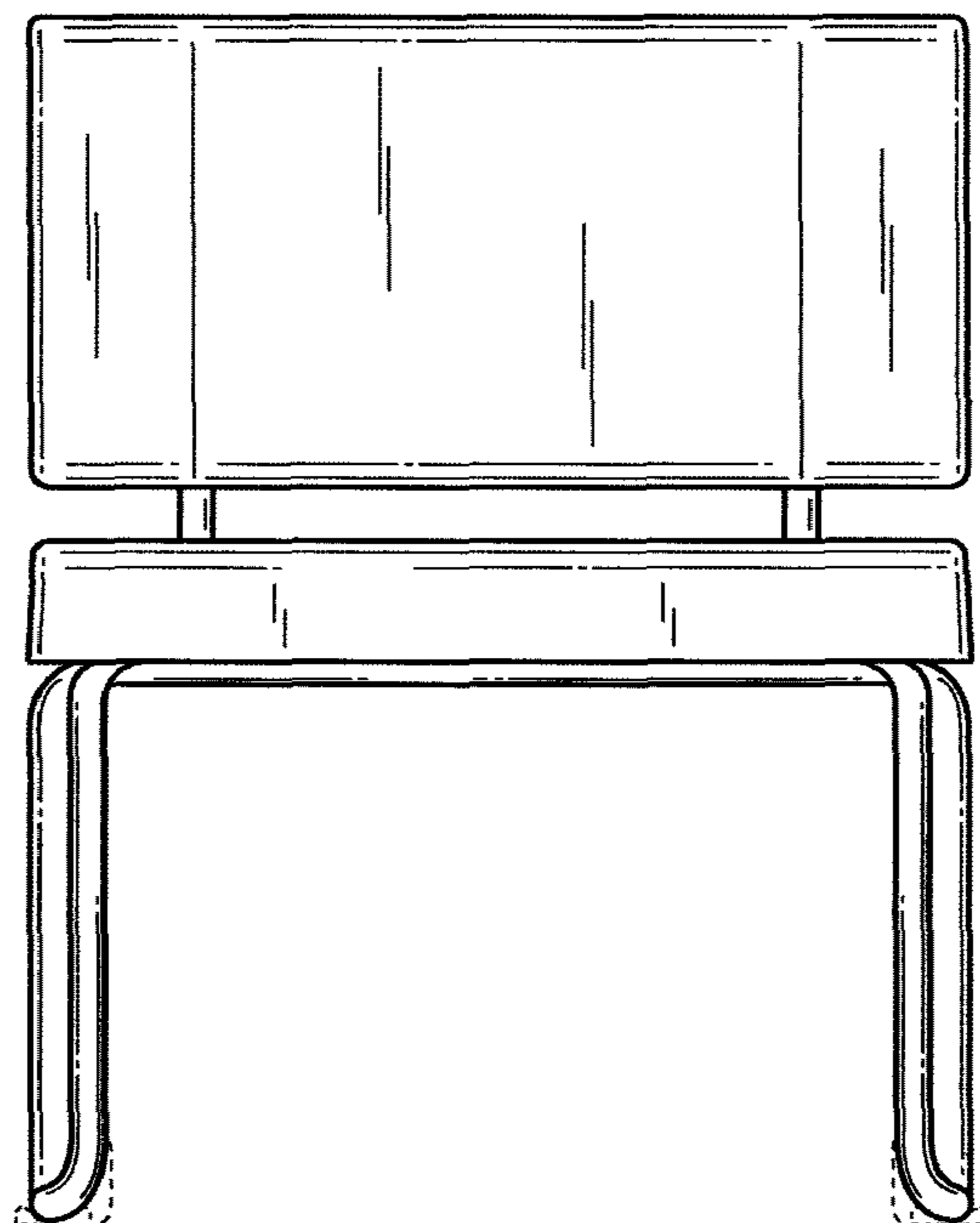


Fig. 2

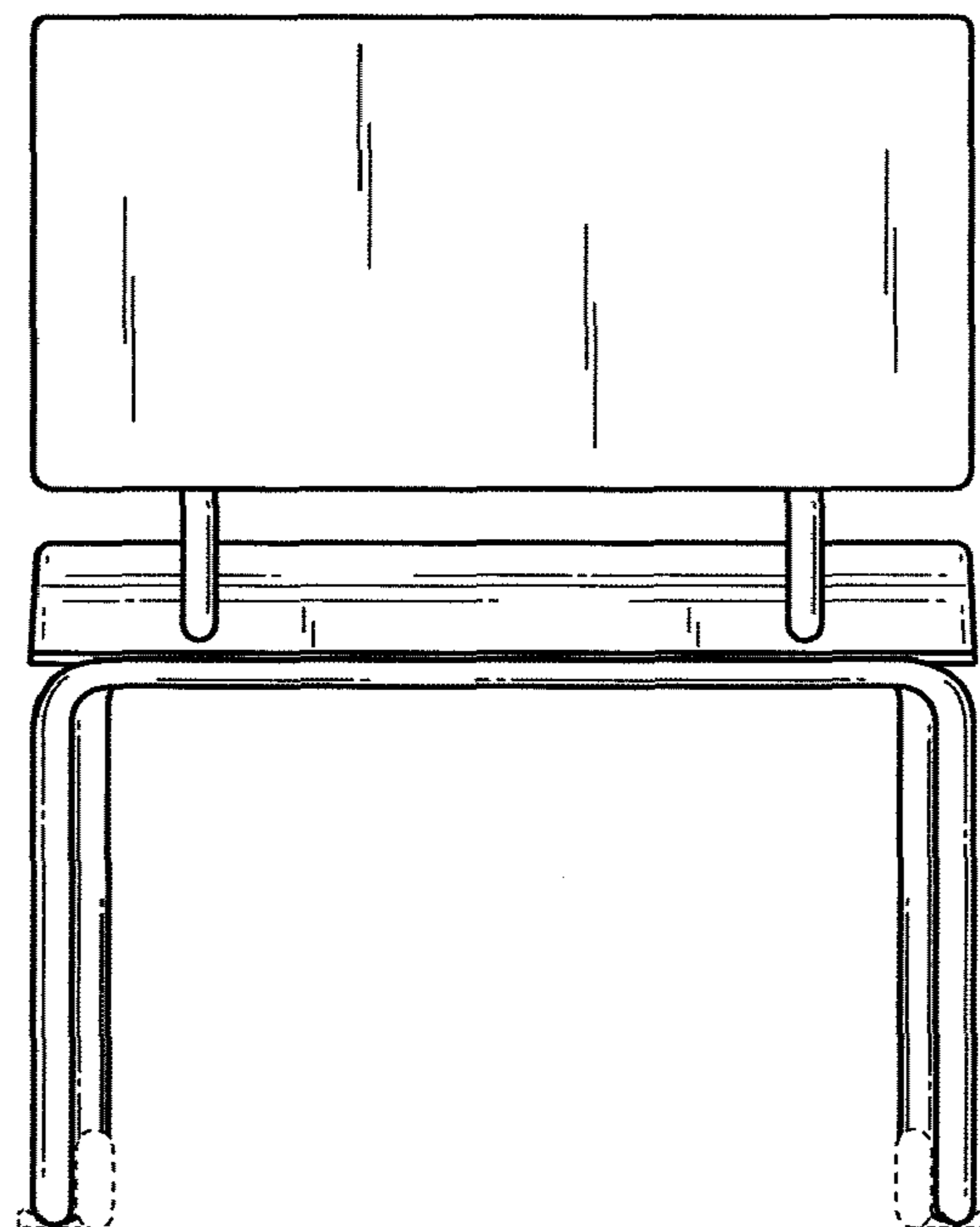


Fig. 3

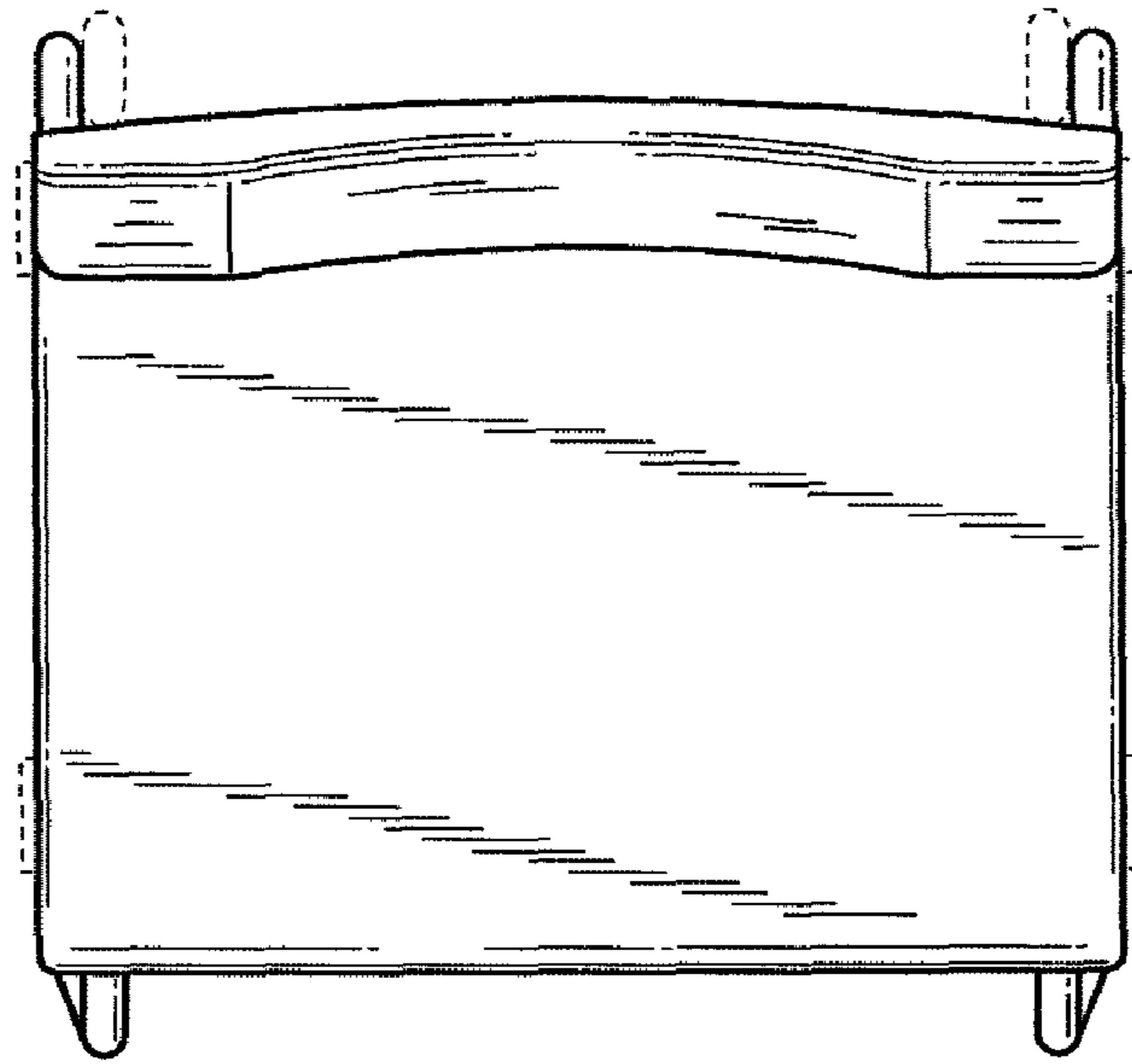


Fig. 4

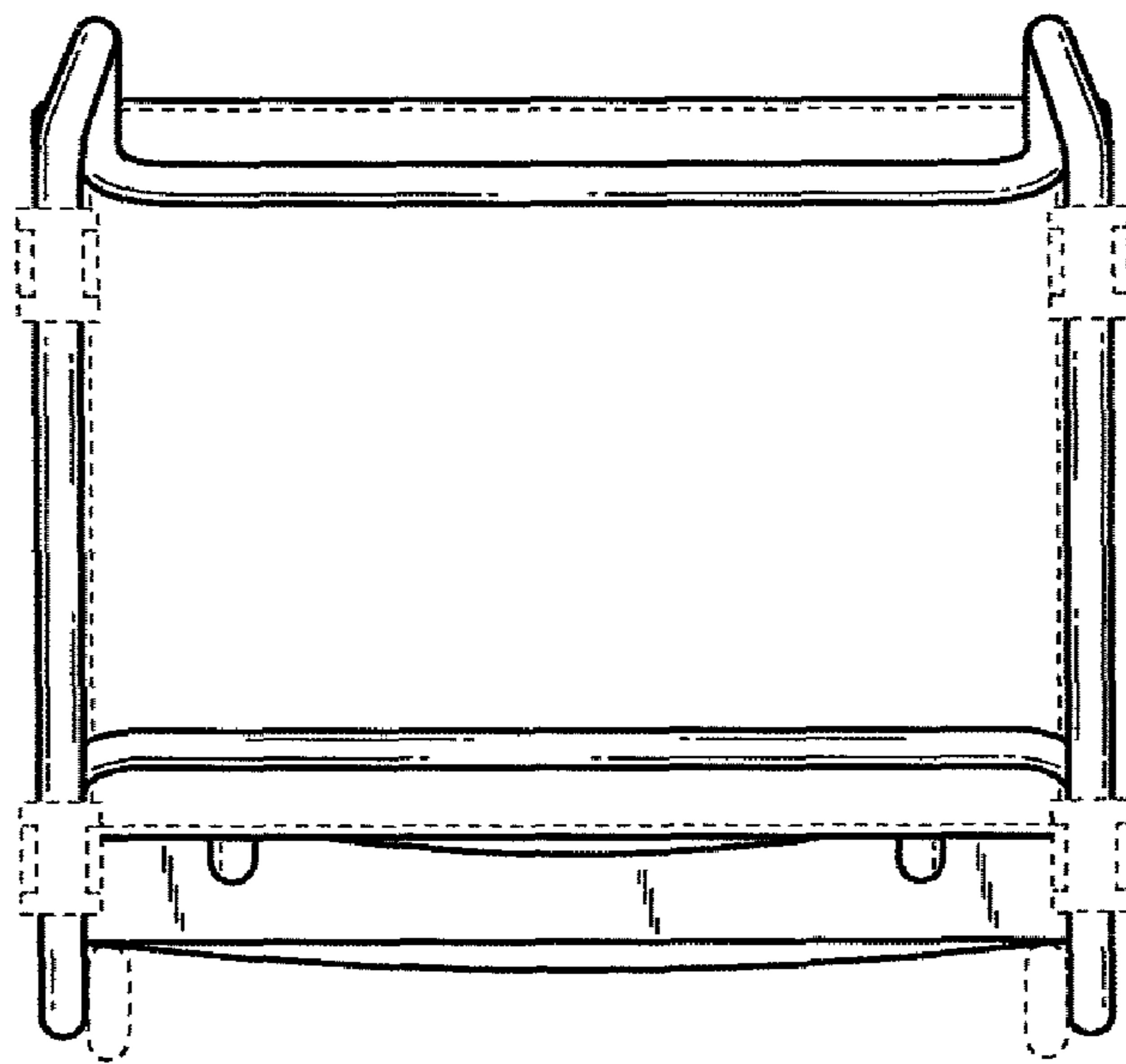


Fig. 5

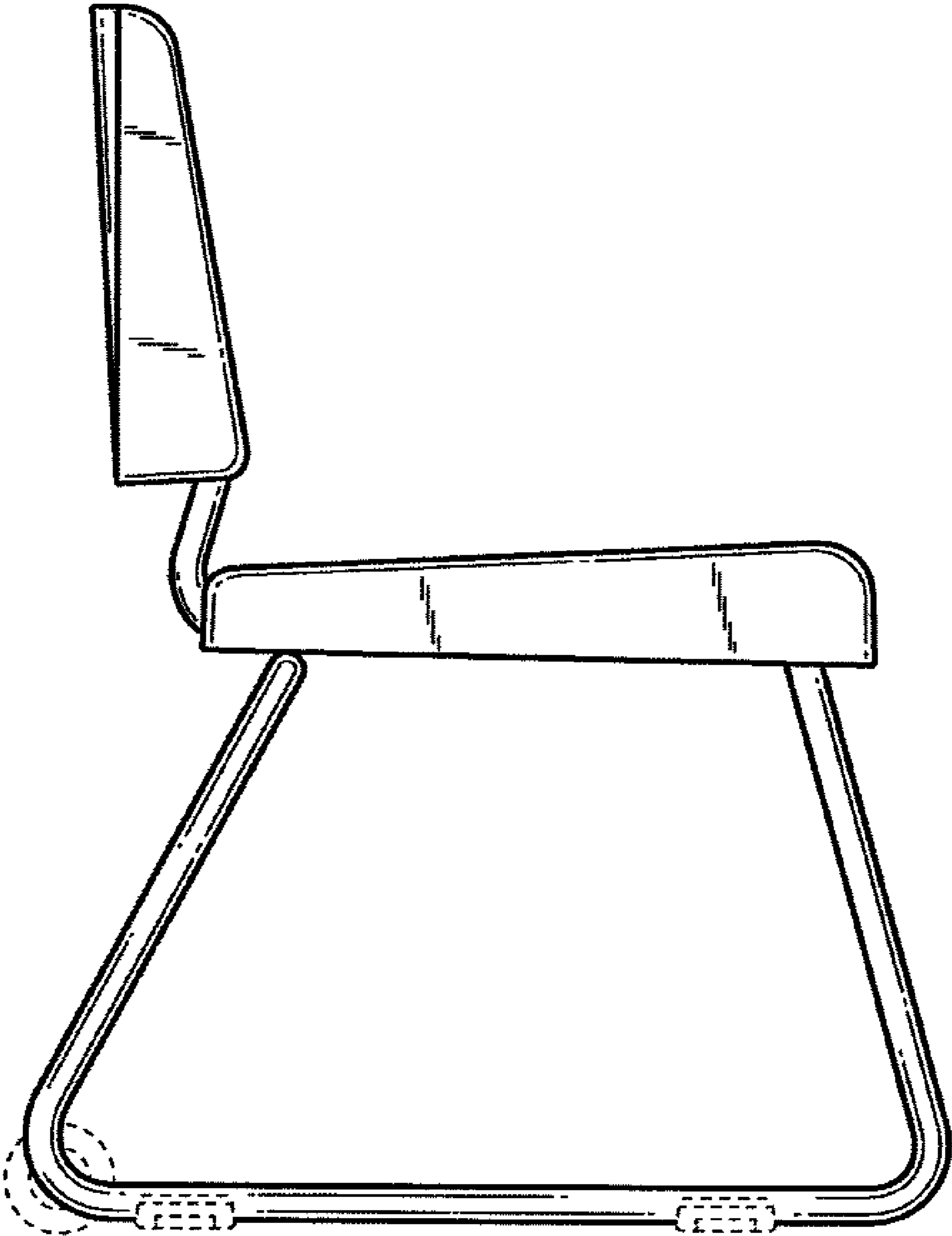


Fig. 6