

US00D671760S

(12) **United States Design Patent**
Toupou et al.

(10) **Patent No.:** **US D671,760 S**
(45) **Date of Patent:** **** Dec. 4, 2012**

(54) **CHAIR**

(76) Inventors: **Marie Florence Toupou**, West Haven, CT (US); **Mahawa Kourouma**, West Haven, CT (US)

(**) Term: **14 Years**

(21) Appl. No.: **29/392,745**

(22) Filed: **May 26, 2011**

(51) **LOC (9) Cl.** **06-01**

(52) **U.S. Cl.** **D6/368**

(58) **Field of Classification Search** D6/334-335,
D6/367-368, 371, 373-374, 379-380, 500-502;
297/144, 154-155, 170-171, 173, 174 R,
297/188.01, 188.08, 188.02, 452.3
See application file for complete search history.

(56) **References Cited**

U.S. PATENT DOCUMENTS

5,564,779	A	*	10/1996	Tolbert et al.	297/144
D413,737	S	*	9/1999	Mogtaderi	D6/368
D417,561	S	*	12/1999	Liu	D6/368
D421,191	S	*	2/2000	Rand	D6/368
D429,574	S	*	8/2000	van Engelen	D6/368
D438,394	S	*	3/2001	Tseng	D6/368
D490,251	S	*	5/2004	Lin	D6/336
D494,769	S	*	8/2004	Vigneaud	D6/368

D522,263	S	*	6/2006	Hart	D6/368
7,395,828	B1	*	7/2008	Pulley	135/16
7,500,715	B1	*	3/2009	Chen	297/27

* cited by examiner

Primary Examiner — Caron D Veynar

Assistant Examiner — Abraham Bahta

(74) *Attorney, Agent, or Firm* — McCormick, Paulding & Huber LLP

(57) **CLAIM**

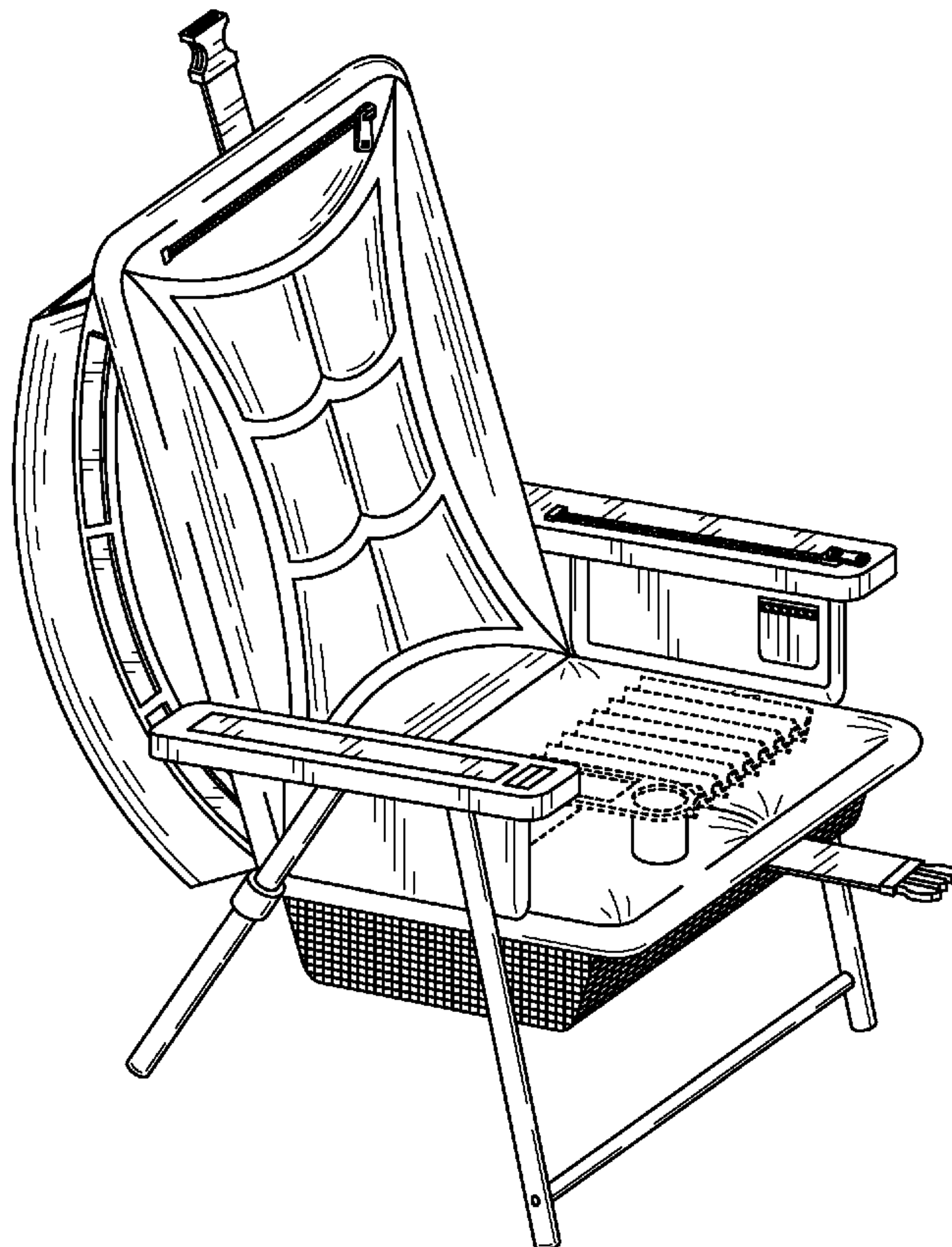
The ornamental design for a chair, substantially as shown and described.

DESCRIPTION

FIG. 1 is a front, top, left-hand side perspective view of the chair showing our new design;
FIG. 2 is a front view thereof;
FIG. 3 is a rear view thereof;
FIG. 4 is a right-hand side view thereof;
FIG. 5 is a left-hand side view thereof;
FIG. 6 is a top view thereof; and,
FIG. 7 is a bottom view thereof.

The broken line portion of the chair is included for the purpose of illustrating environmental structure and forms no part of the claimed design.

1 Claim, 4 Drawing Sheets



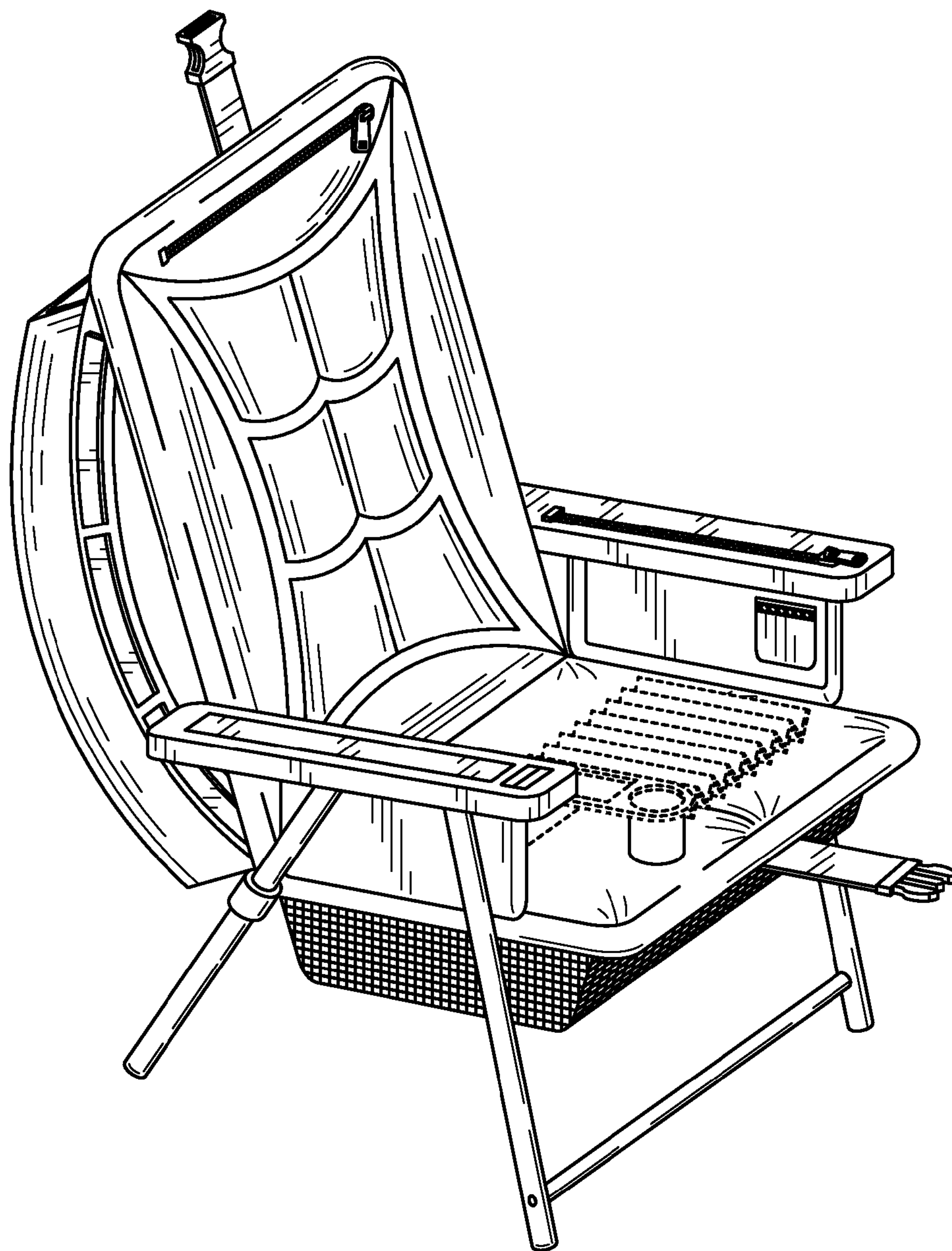


FIG. 1

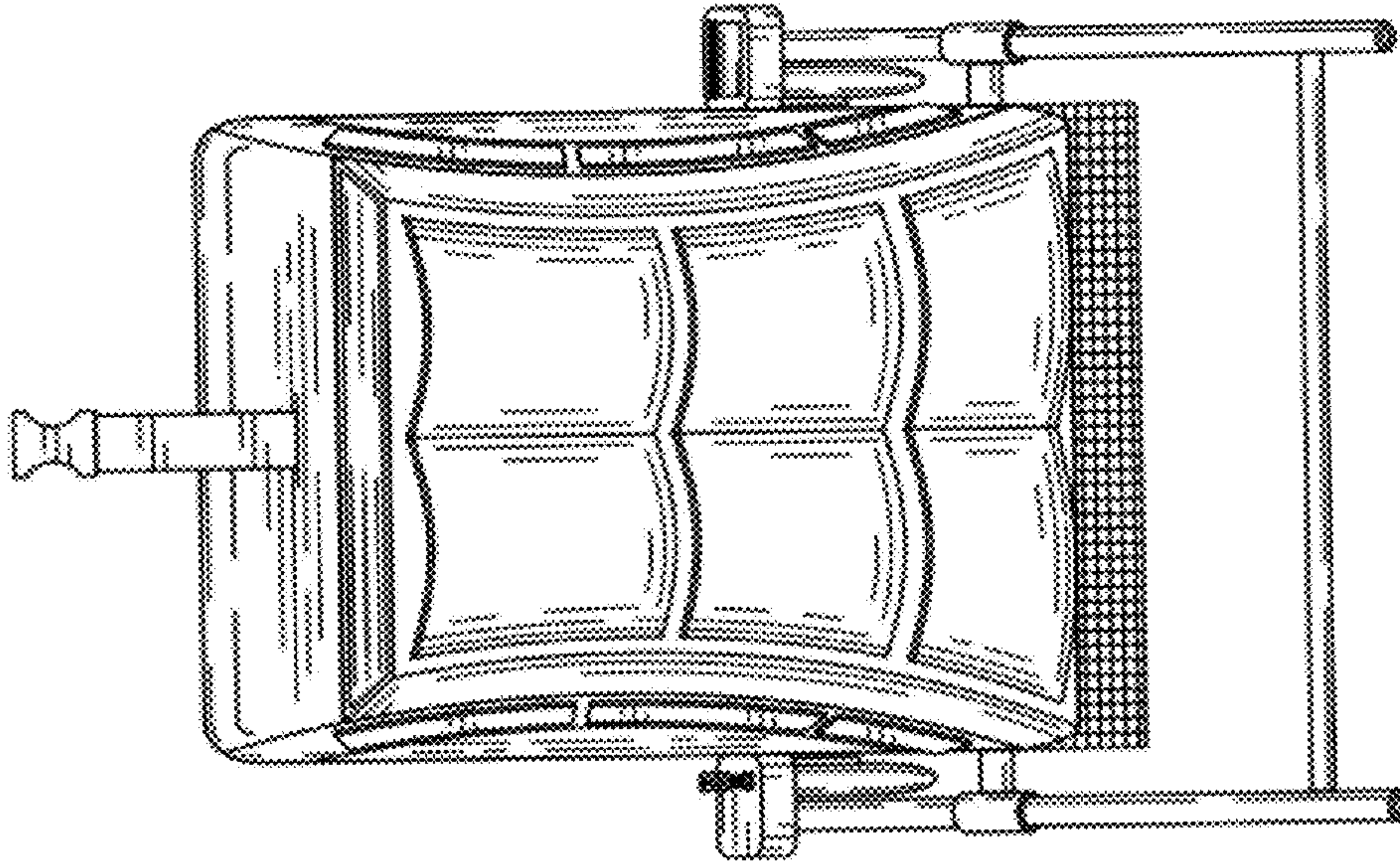


FIG. 3

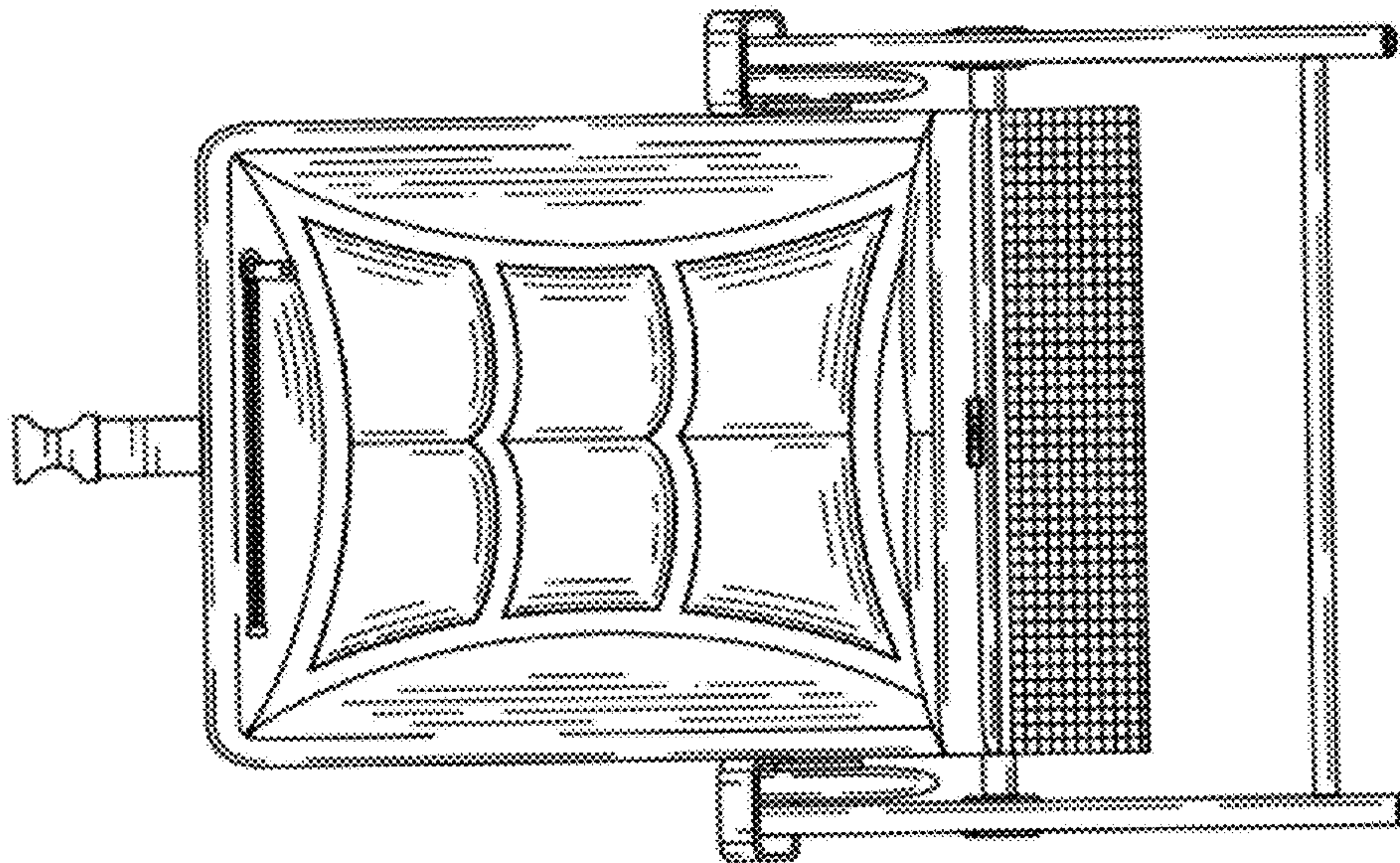


FIG. 2

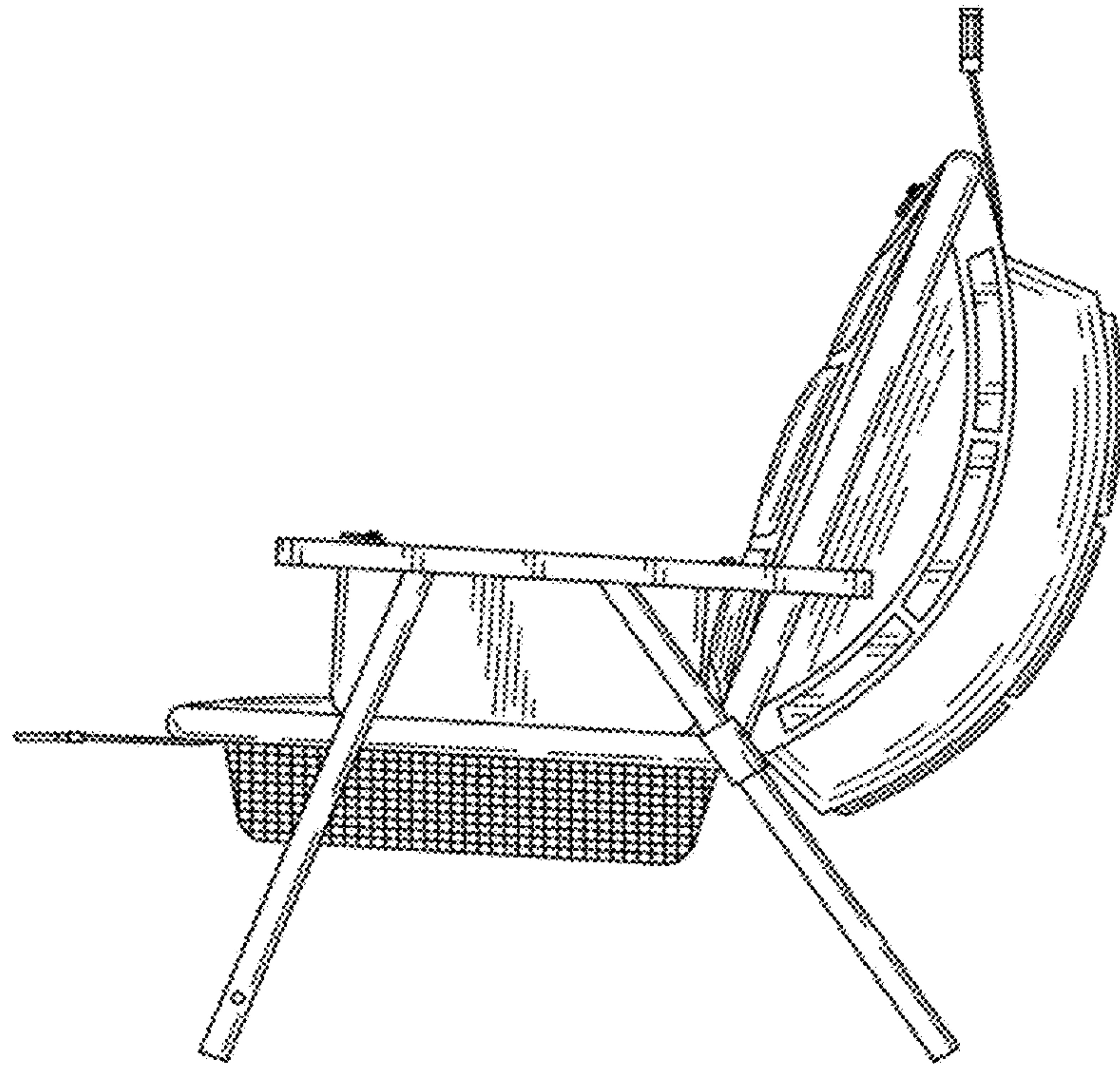


FIG. 4

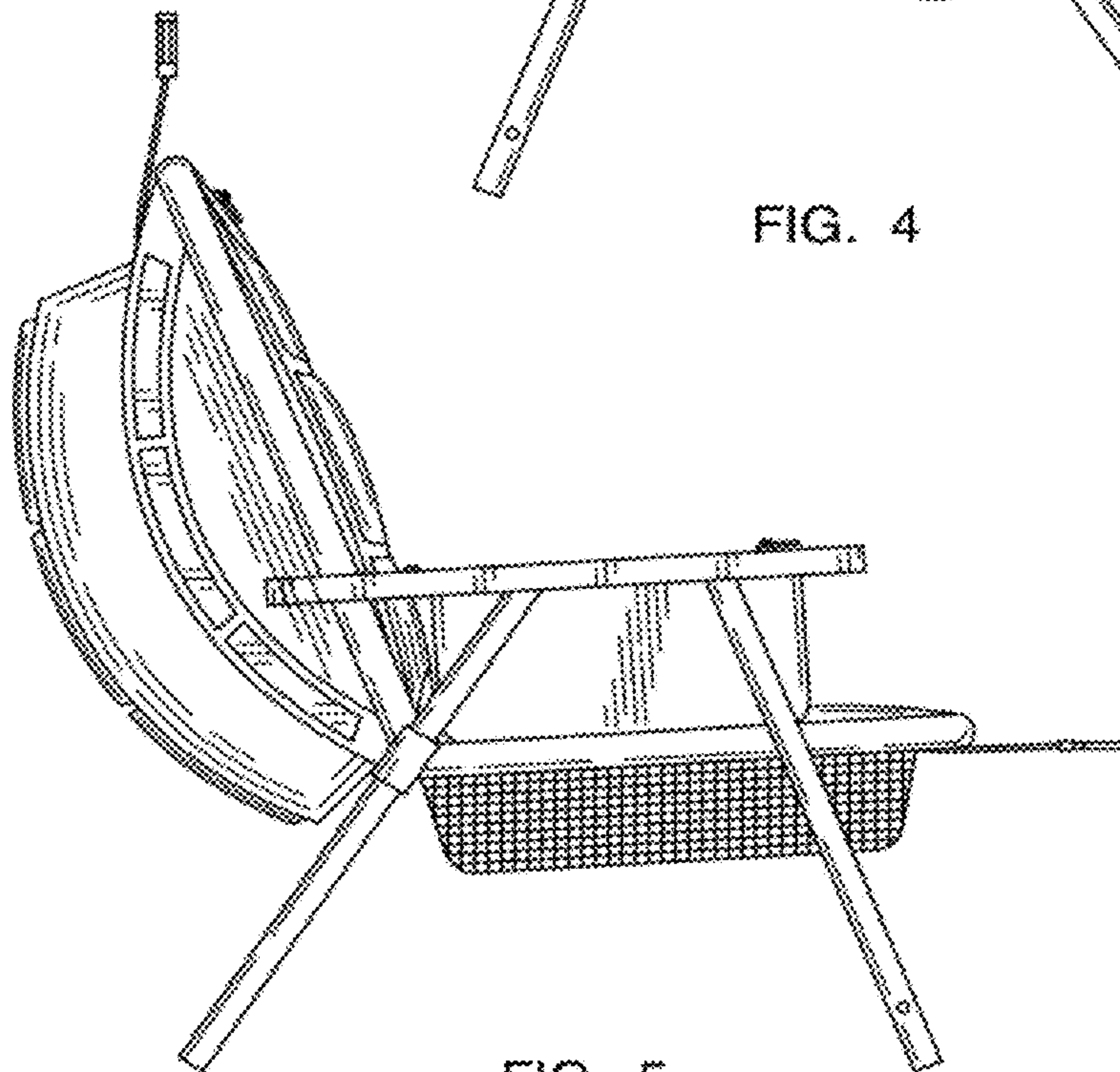


FIG. 5

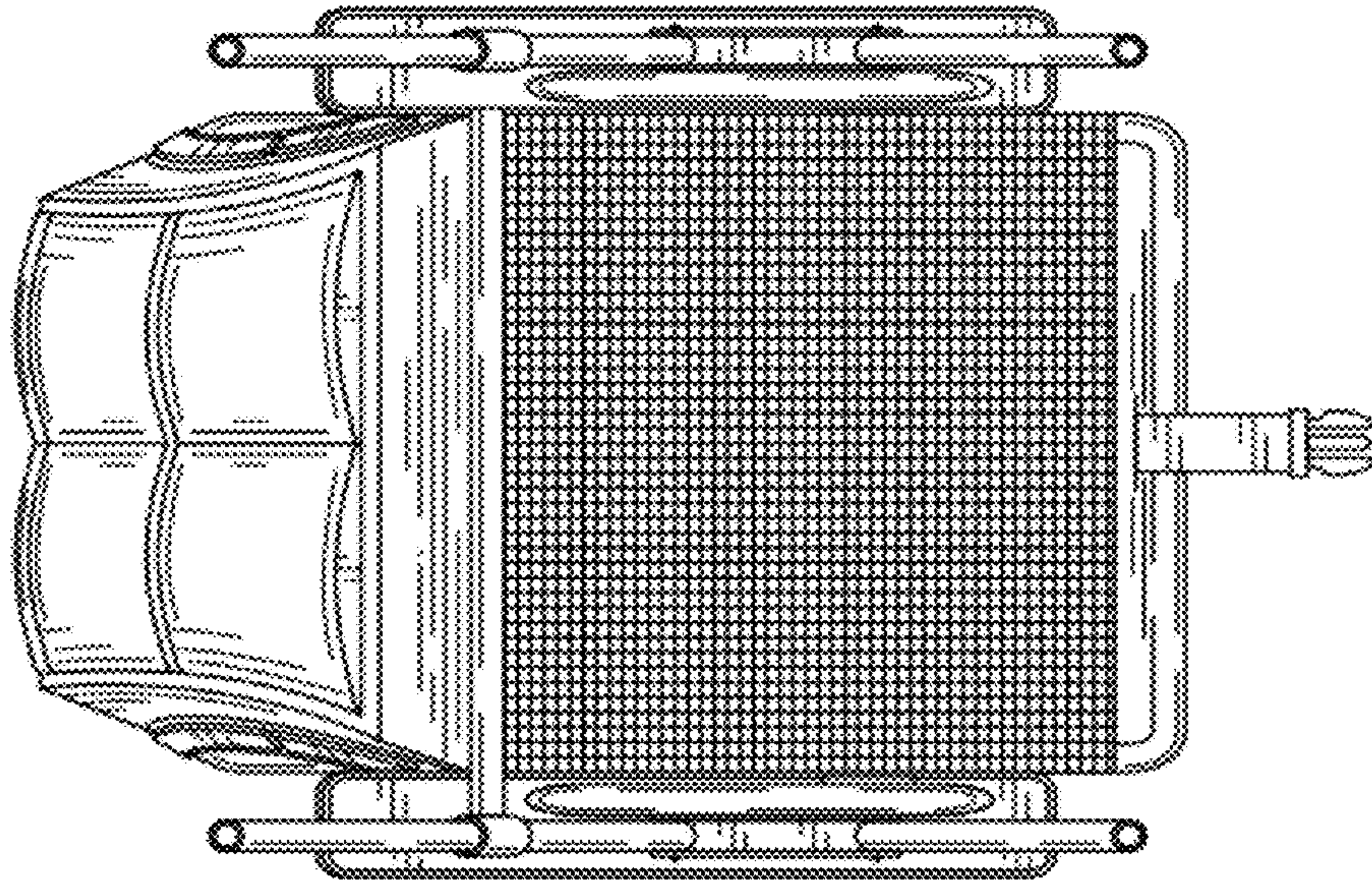


FIG. 7

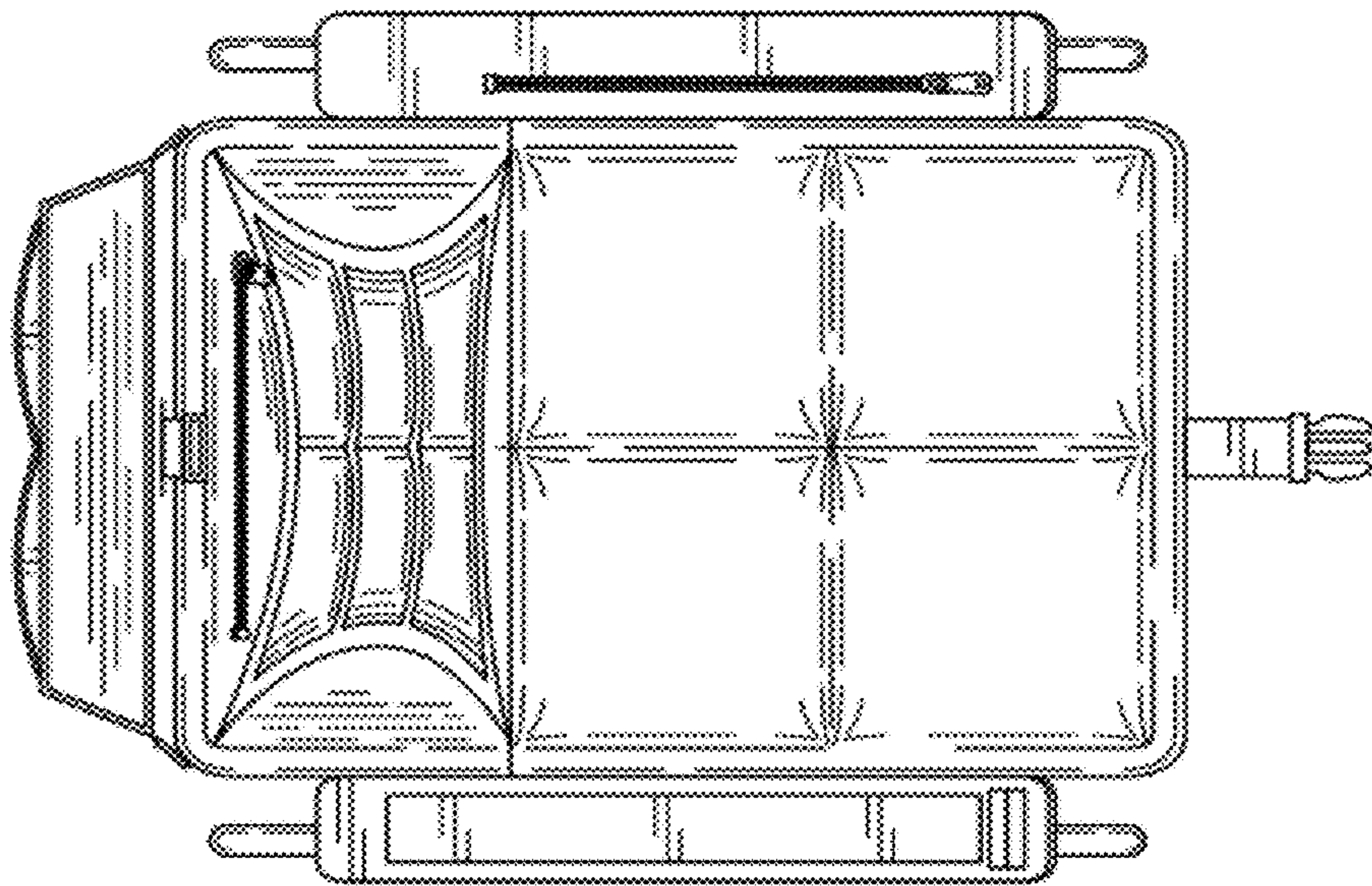


FIG. 6