



US00D671758S

(12) **United States Design Patent**  
**Daigre**

(10) **Patent No.:** **US D671,758 S**  
(45) **Date of Patent:** **\*\* Dec. 4, 2012**

(54) **SQUARE POD CHAIR**

(76) Inventor: **Alan Daigre**, Readyville, TN (US)

(\*\*) Term: **14 Years**

(21) Appl. No.: **29/418,521**

(22) Filed: **Apr. 17, 2012**

(51) **LOC (9) Cl.** ..... **06-01**

(52) **U.S. Cl.** ..... **D6/349**

(58) **Field of Classification Search** ..... D6/335,  
D6/340, 349-355, 495, 500-502; 297/16.1,  
297/175, 187, 195.1, 423.1, 423.11, 423.14,  
297/423.16, 461, 462

See application file for complete search history.

(56) **References Cited**

U.S. PATENT DOCUMENTS

97,579	A *	12/1869	Wittram	.....	297/461
2,487,634	A	11/1949	Buttner		
2,552,693	A	5/1951	Smith		
3,125,377	A	3/1964	Bridges		
4,232,477	A	11/1980	Lin		
D365,729	S *	1/1996	Wold	.....	D7/610
D398,348	S	9/1998	Hogan		
D461,061	S *	8/2002	Kent	.....	D6/336
D477,165	S *	7/2003	Petri	.....	D6/510
D548,493	S	8/2007	Diekman		
D553,308	S	10/2007	Klein		
D581,703	S	12/2008	Diekman		
D603,186	S *	11/2009	Abe	.....	D6/449
D610,818	S *	3/2010	Crane	.....	D6/349

OTHER PUBLICATIONS

Cobonpue, Kenneth. "Chiquita Chair and Stool by Kenneth Cobonpue." Internet. Available at <http://www.unicahome.com/catalog/item.asp?id=61031&PartnerID=SLI>. Visited Dec. 21, 2011.

\* cited by examiner

*Primary Examiner* — Sandra Snapp

(74) *Attorney, Agent, or Firm* — PatentBest; Andrew McAleavey

(57) **CLAIM**

The ornamental design for a square pod chair, as shown and described.

**DESCRIPTION**

FIG. 1 is a perspective view of a square pod chair in use, illustrating my new design;

FIG. 2 is a perspective view of the square pod chair in isolation;

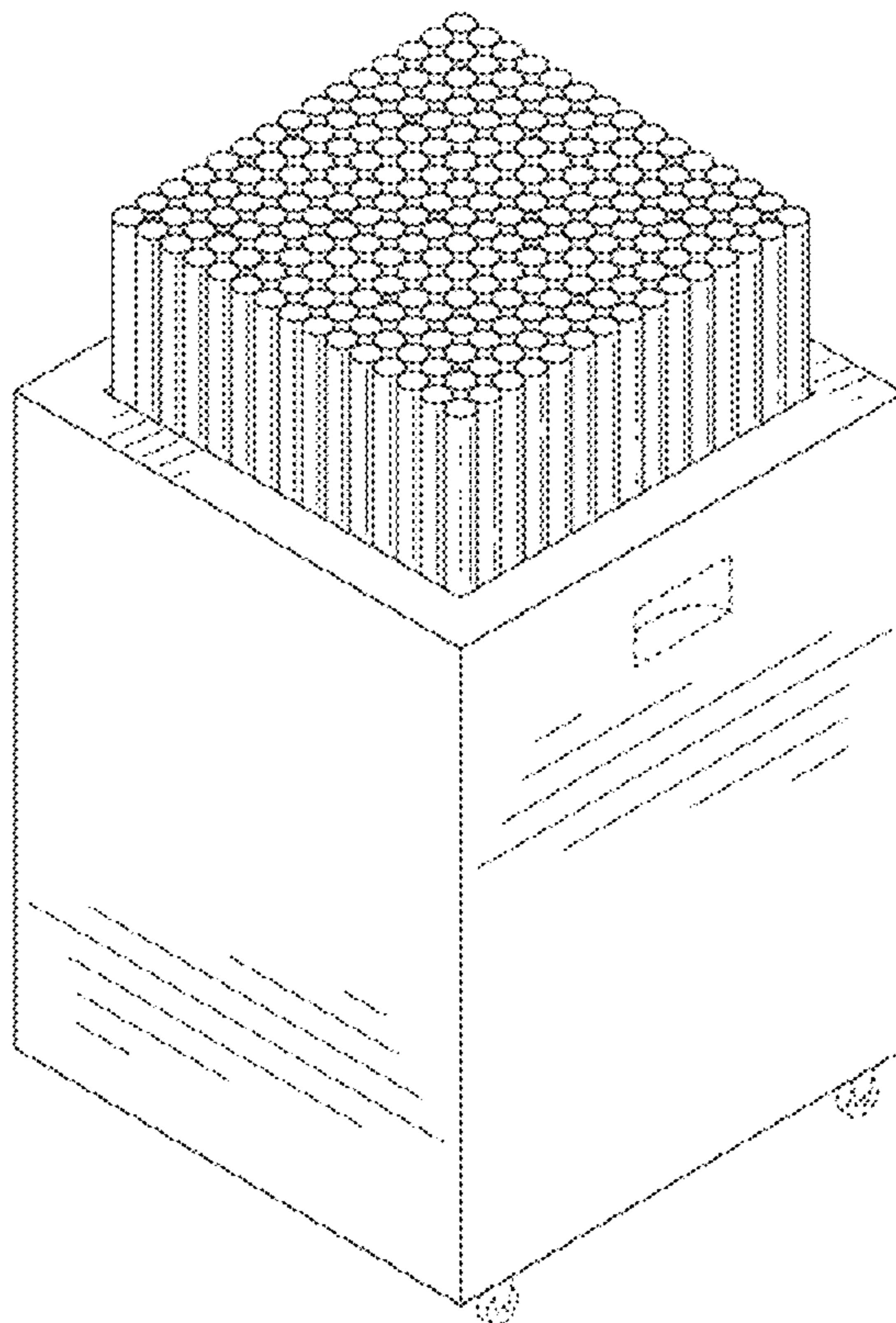
FIG. 3 is a front elevational view of the square pod chair, the front and back being mirror images of one another;

FIG. 4 is a side elevational view of the square pod chair, the sides being mirror images of one another; and,

FIG. 5 is a top plan view of the square pod chair.

In the drawing figures, the broken lines immediately adjacent the shaded areas represent the bounds of the claimed design, while all other broken lines are directed to environment and are for illustrative purposes only; the broken lines form no part of the claimed design.

**1 Claim, 5 Drawing Sheets**



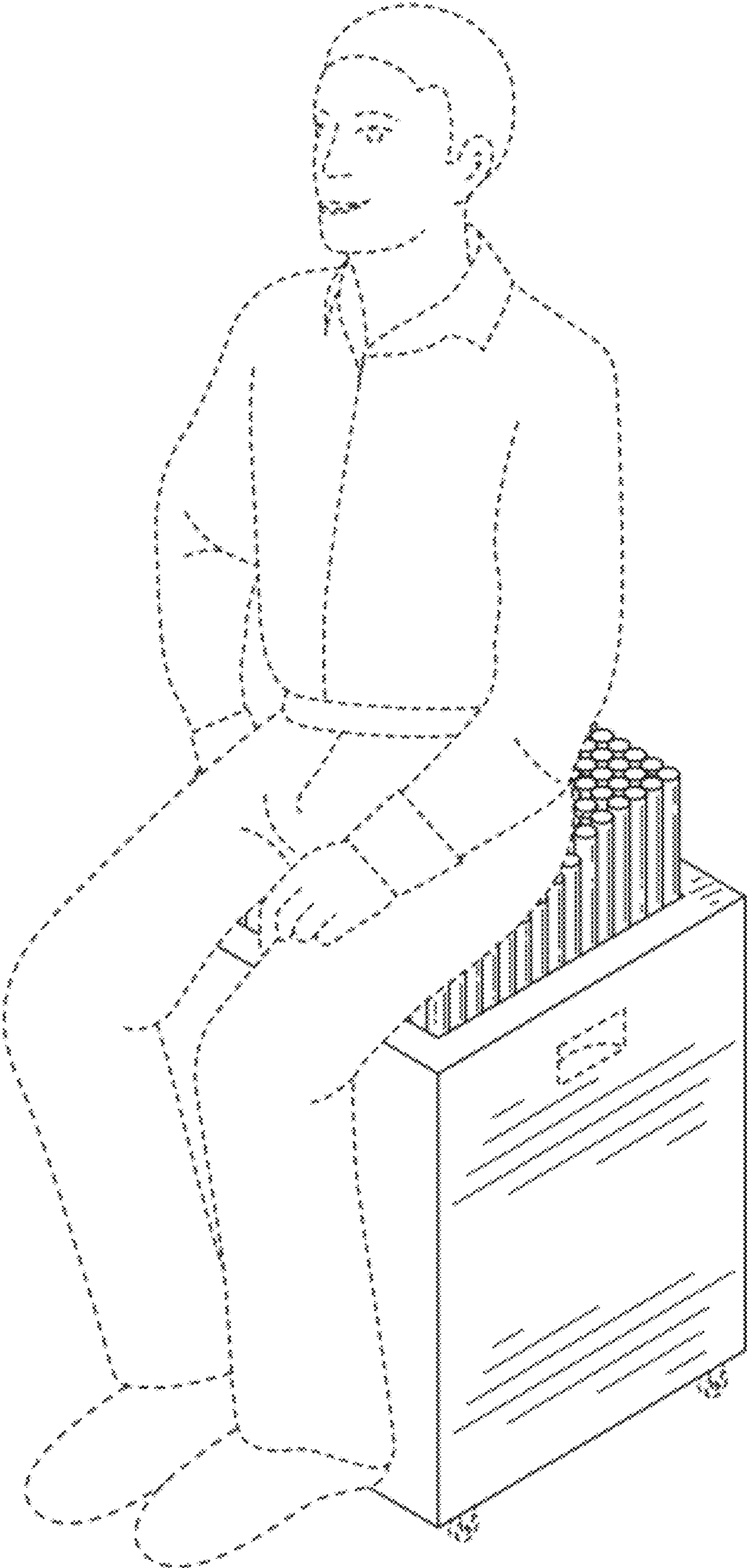


FIG. 1

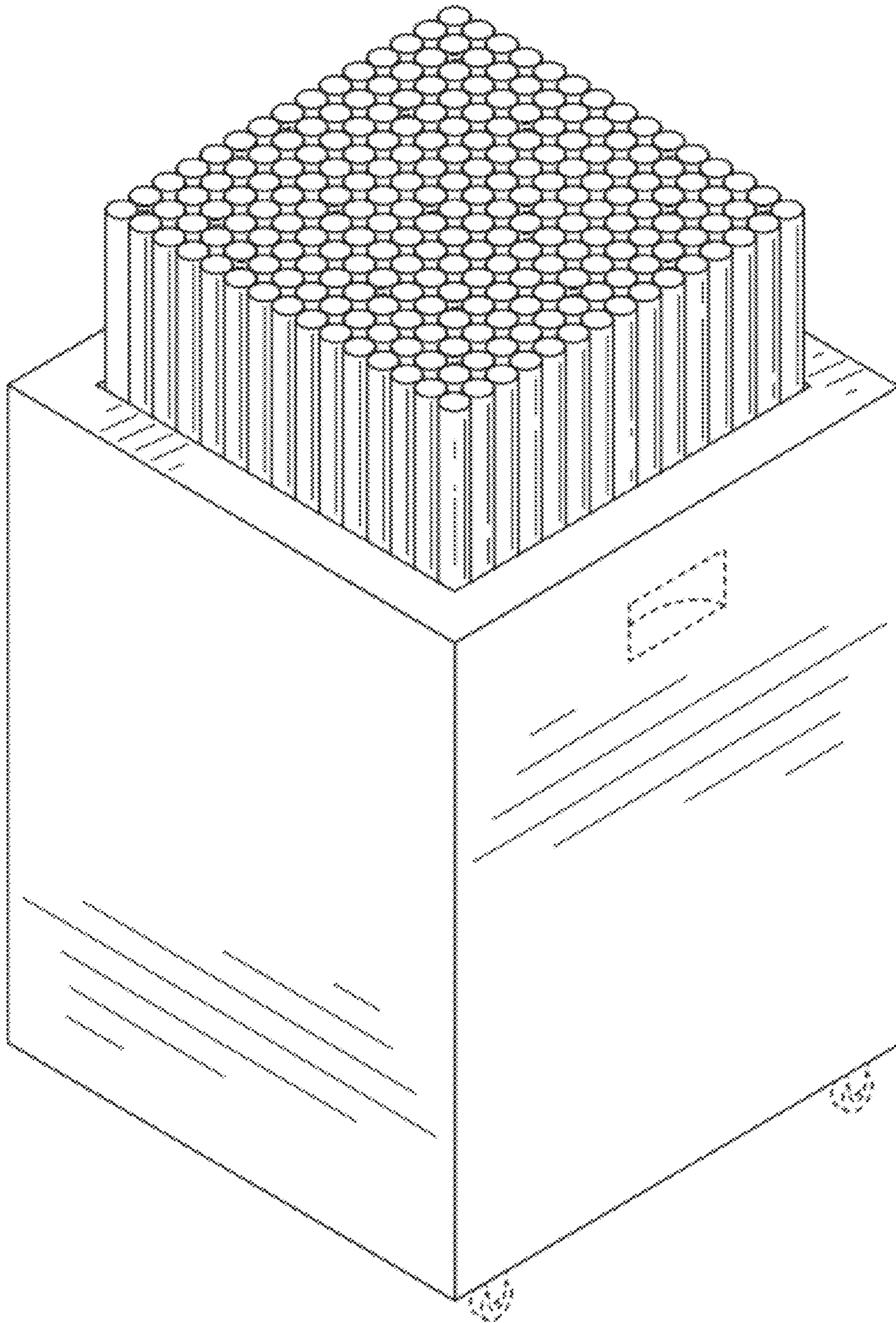


FIG. 2

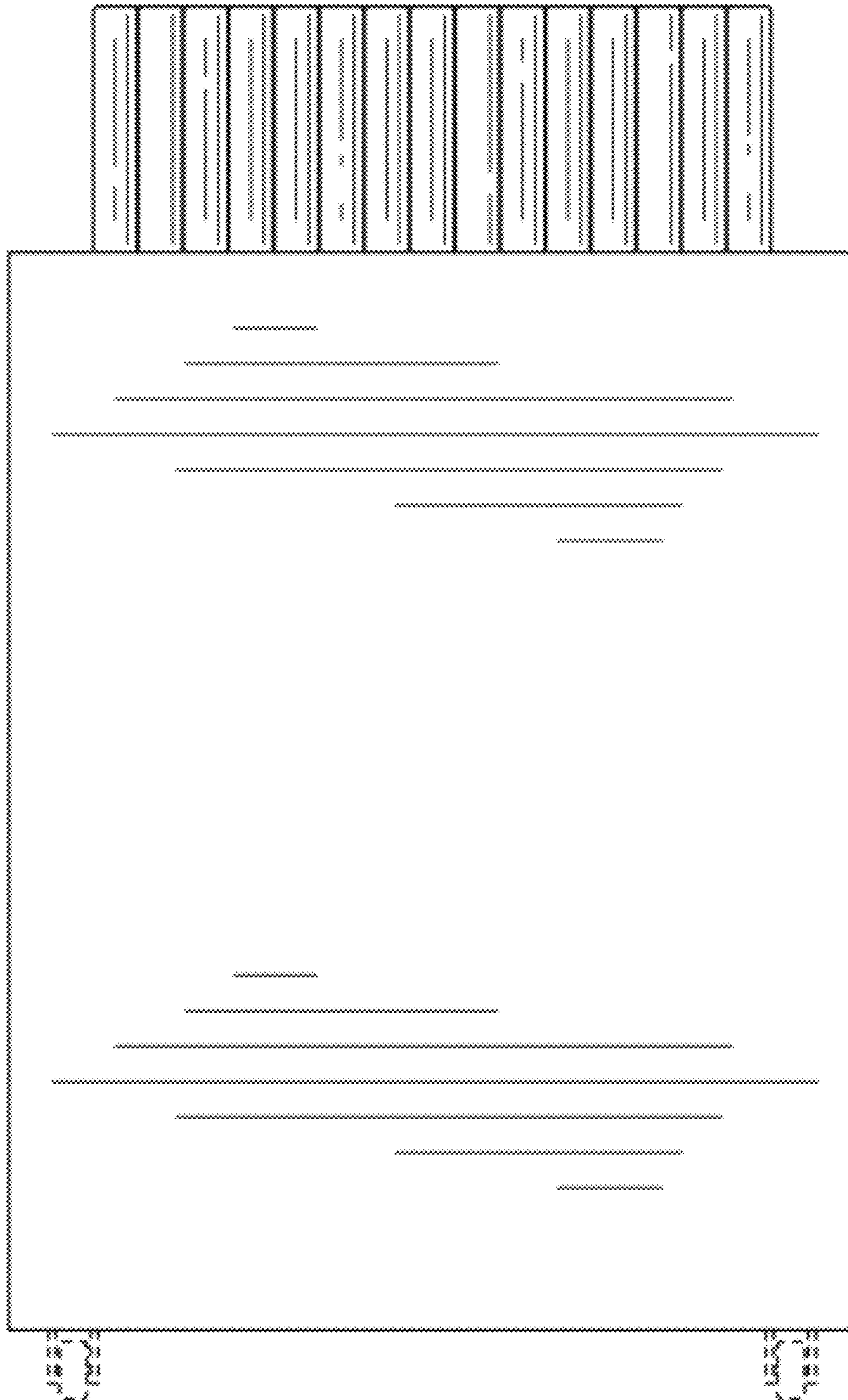


FIG. 3

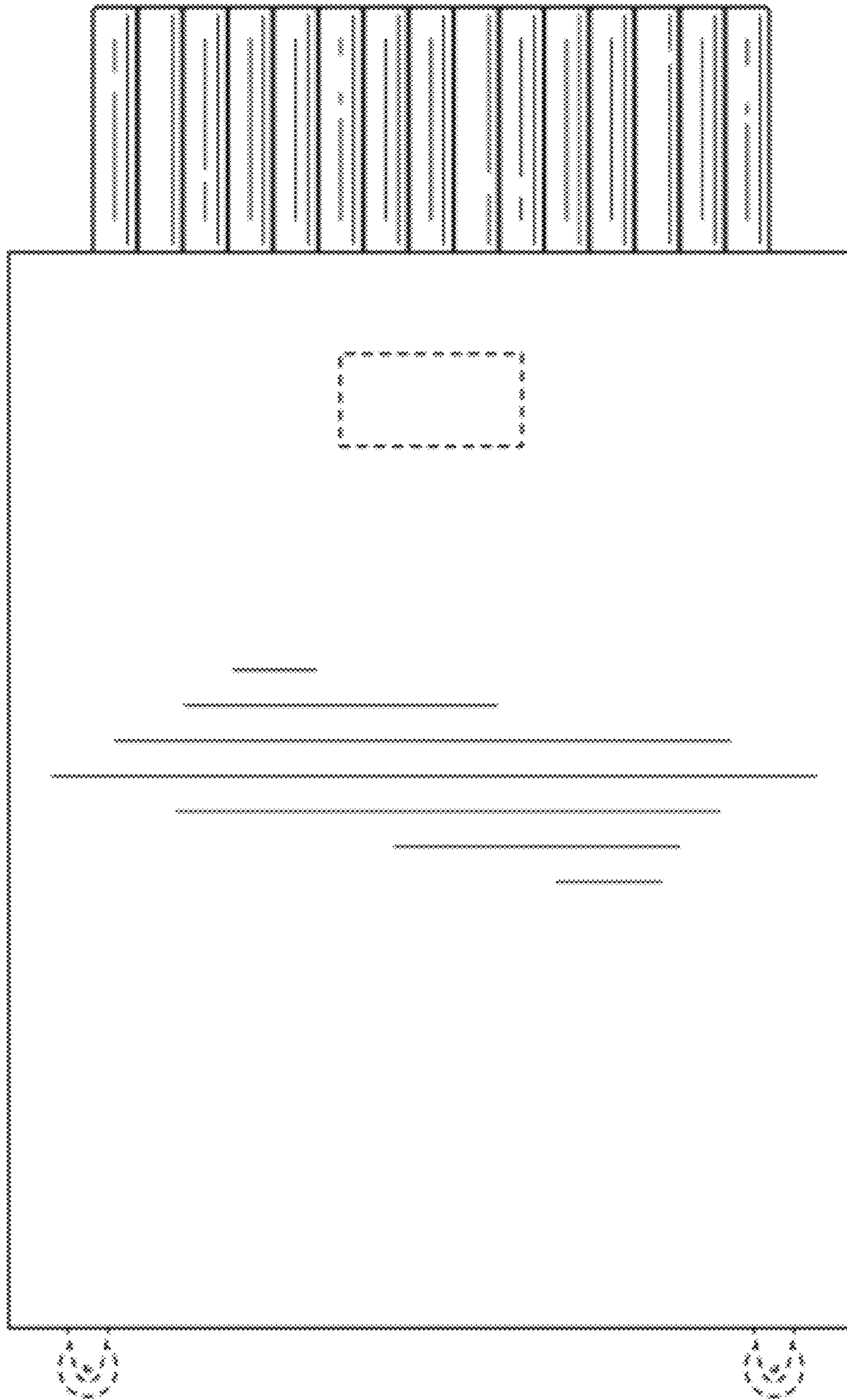


FIG. 4

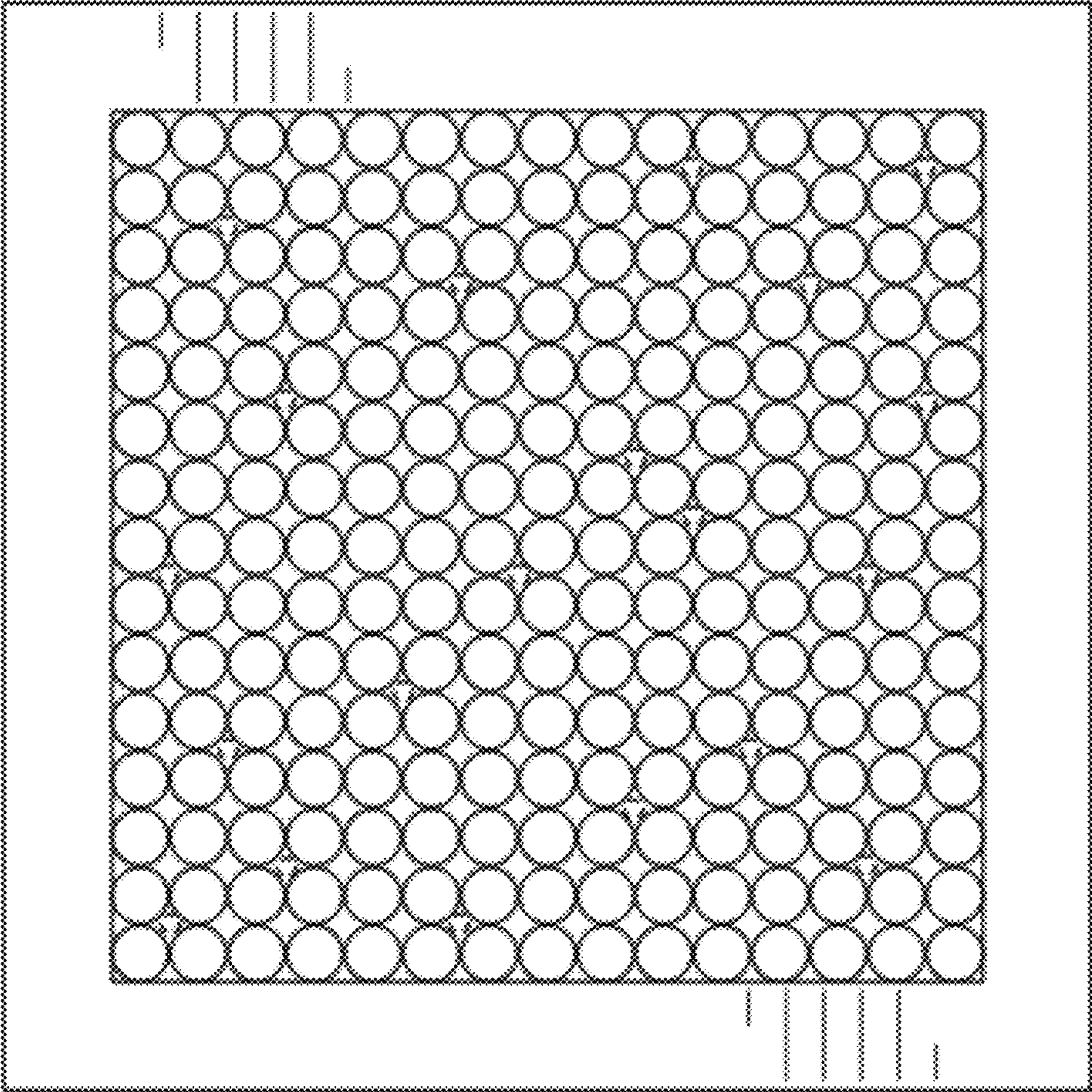


FIG. 5