



US00D671755S

(12) **United States Design Patent**
Stolarz et al.

(10) **Patent No.:** **US D671,755 S**

(45) **Date of Patent:** **** Dec. 4, 2012**

(54) **HIGH CHAIR**

(75) Inventors: **Christian Stolarz**, Brooklyn, NY (US);
Eli Worden, New York, NY (US);
Charlie Paradise, Brooklyn, NY (US)

(73) Assignee: **Helen of Troy Limited**, St. Michael
(BB)

(**) Term: **14 Years**

(21) Appl. No.: **29/430,671**

(22) Filed: **Aug. 28, 2012**

(51) **LOC (9) Cl.** **06-01**

(52) **U.S. Cl.** **D6/339**

(58) **Field of Classification Search** D6/333-335,
D6/339, 491, 500-502; D21/412, 419; 280/30-31;
5/94, 655, 98.1, 99.1, 101, 102, 105;
297/183.1-183.4, 184.13, 184.15, 184.17,
297/250.1, 256.15, 256.16

See application file for complete search history.

(56) **References Cited**

U.S. PATENT DOCUMENTS

D386,911 S	*	12/1997	Perego	D6/339
D426,965 S	*	6/2000	Wu	D6/339
D451,689 S	*	12/2001	Chen et al.	D6/339
D493,965 S	*	8/2004	Kuester	D6/339
D603,175 S	*	11/2009	Jacobs et al.	D6/339

D619,382 S	*	7/2010	Chen et al.	D6/339
D619,818 S	*	7/2010	Bergkvist	D6/339
D641,180 S	*	7/2011	Kennedy et al.	D6/339
D643,636 S	*	8/2011	Hu	D6/339
D650,598 S	*	12/2011	Kennedy et al.	D6/339
D663,539 S	*	7/2012	Chuah	D6/339

* cited by examiner

Primary Examiner — Caron D Veynar

Assistant Examiner — Abraham Bahta

(57) **CLAIM**

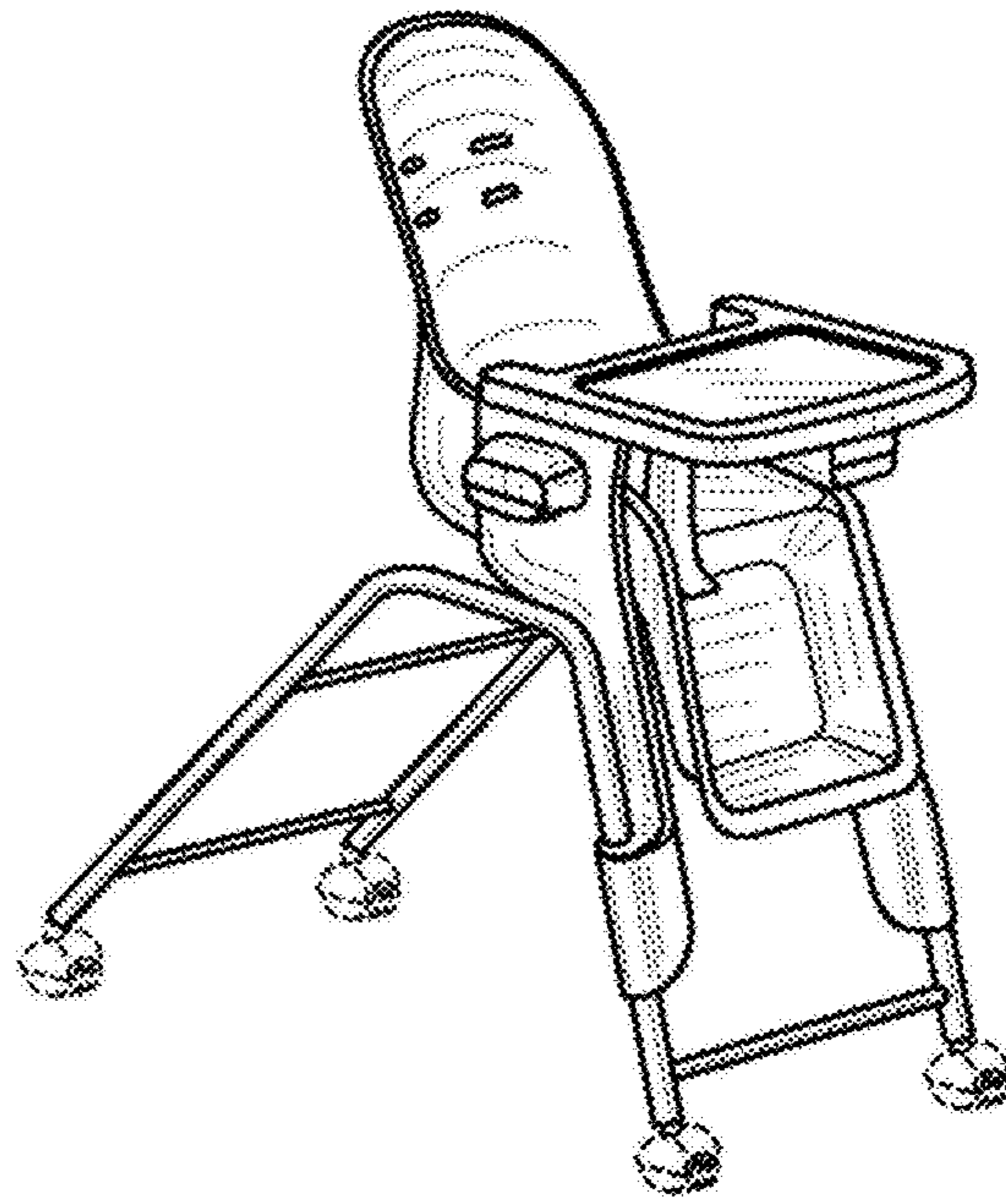
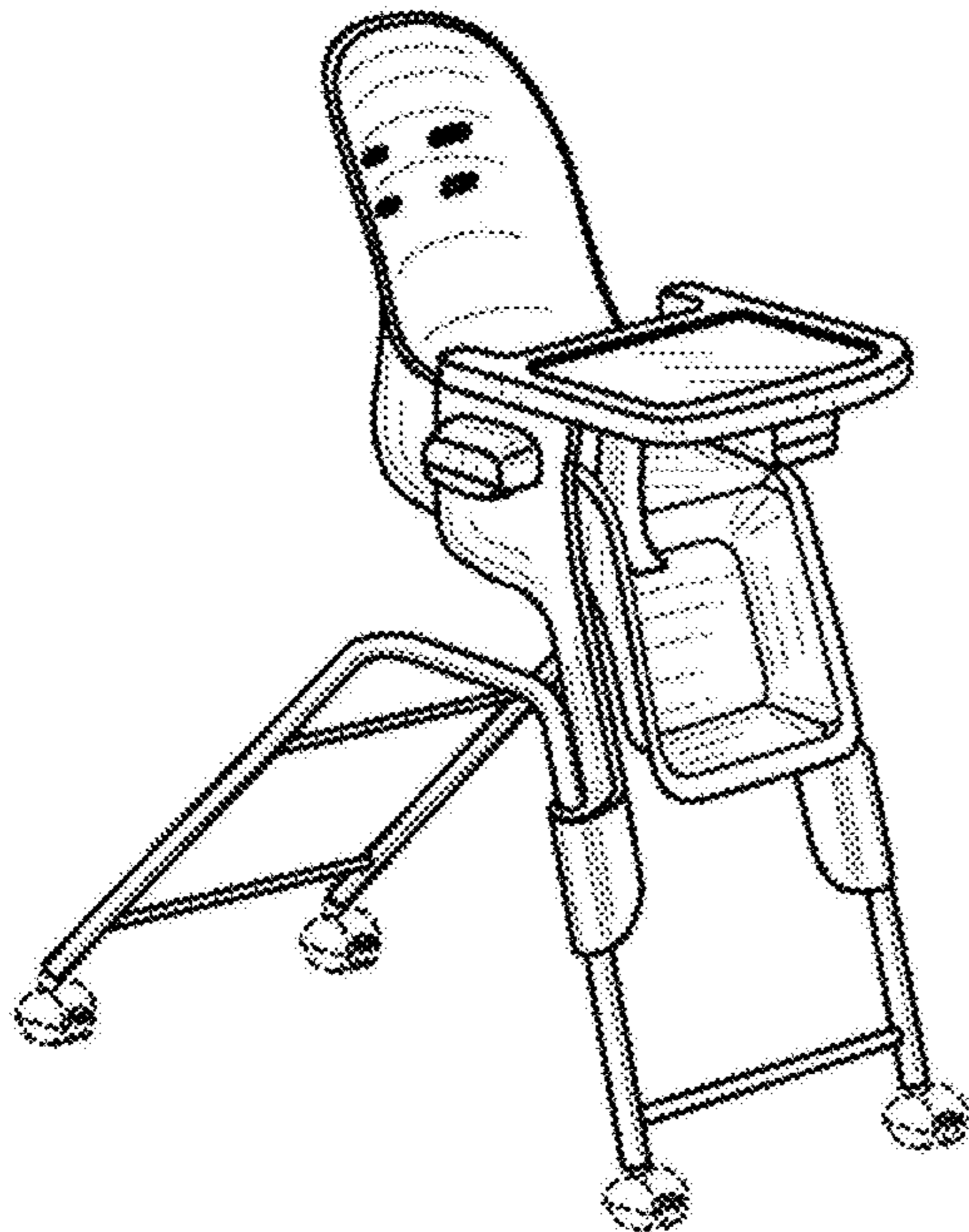
The ornamental design for a high chair, as shown and described.

DESCRIPTION

FIG. 1 is a front view of the high chair;
FIG. 2 is a rear view of the high chair;
FIG. 3 is a side view of the high chair;
FIG. 4 is a top view of the high chair;
FIG. 5 is a bottom view of the high chair;
FIG. 6 is a perspective view of the high chair in its raised position; and,
FIG. 7 is a perspective view of the high chair in its lowered position.

The broken line showing of casters is included for the purpose of illustrating environmental structure and forms no part of the claimed design.

1 Claim, 7 Drawing Sheets



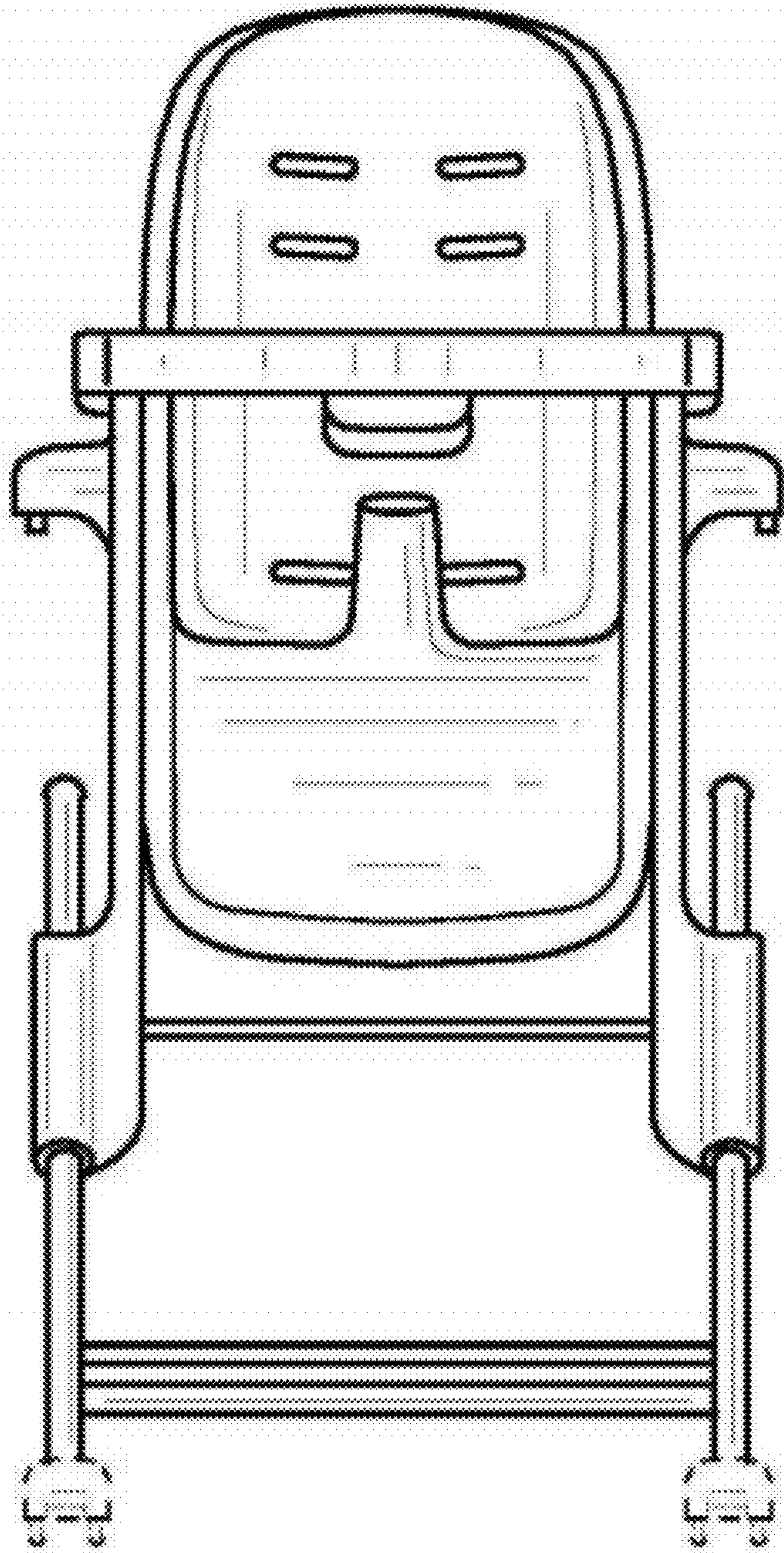


Figure 1

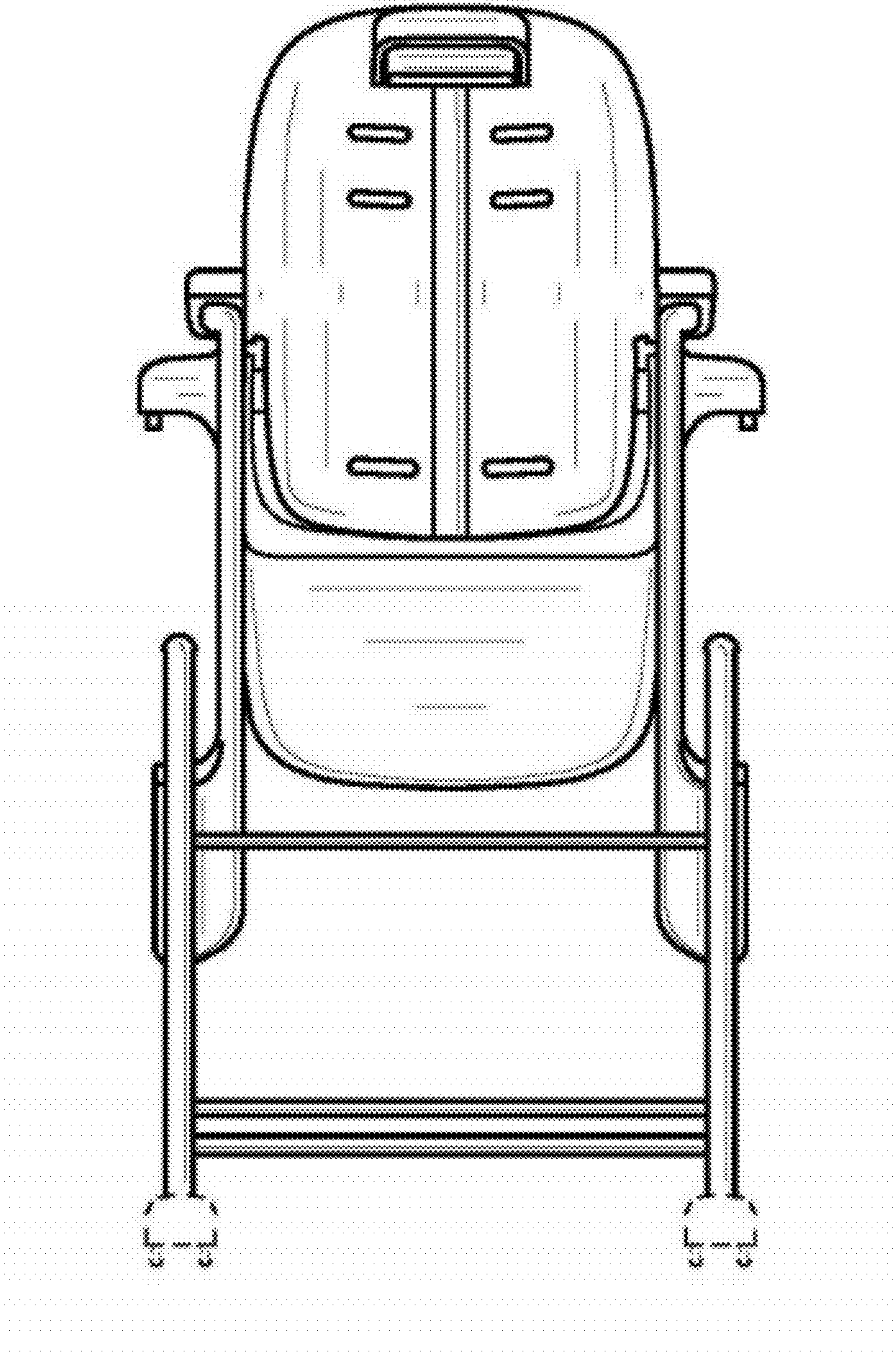


Figure 2

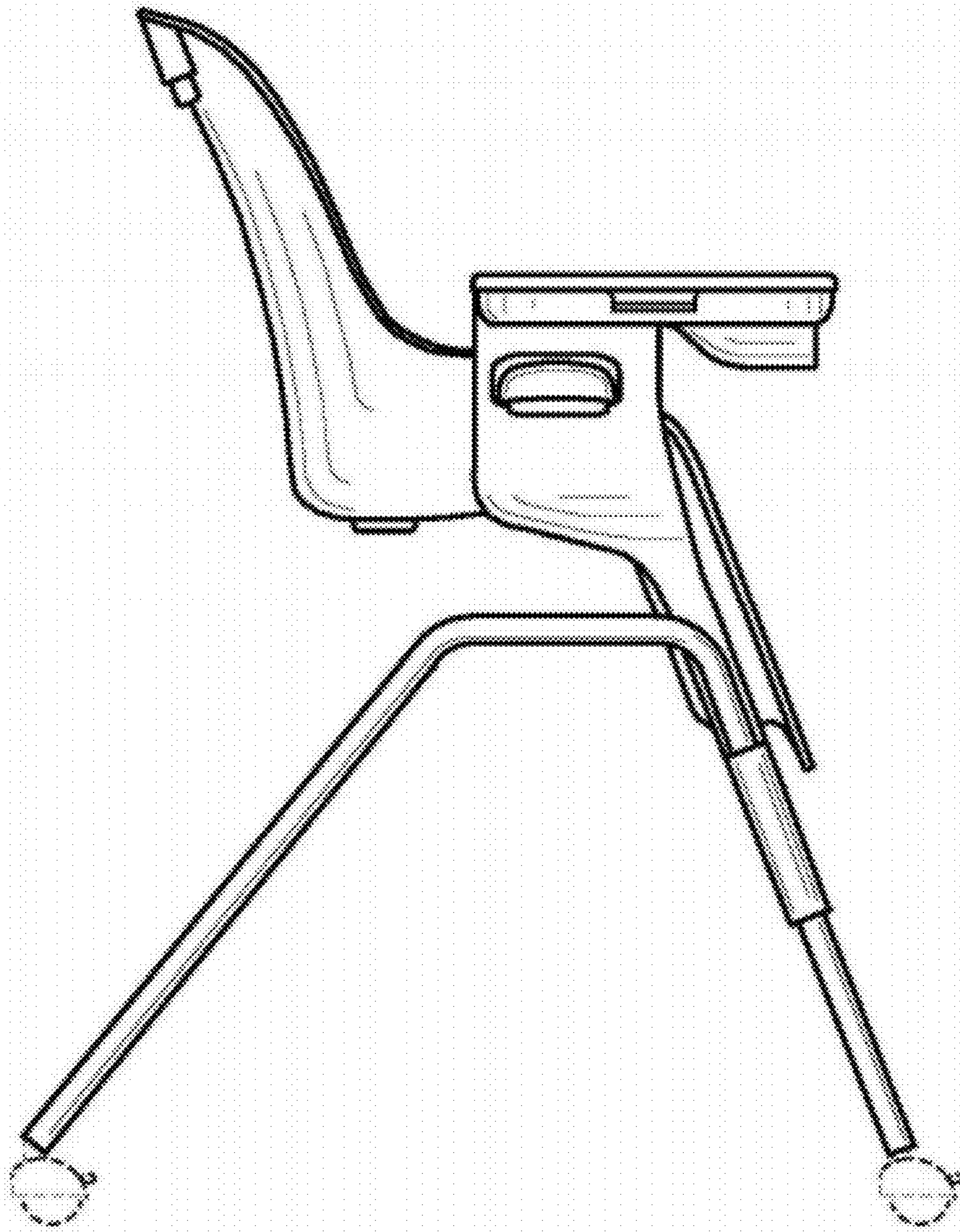


Figure 3

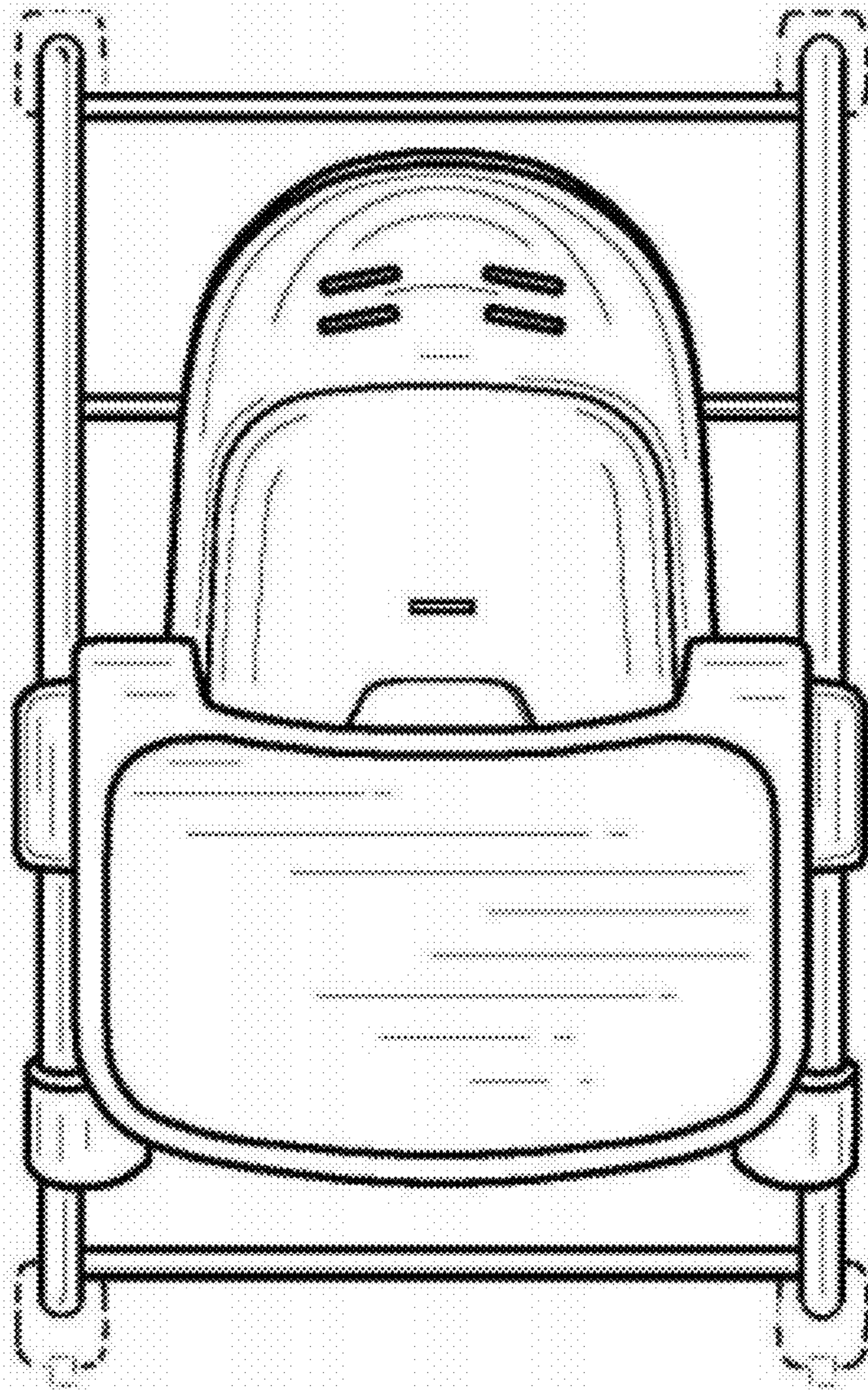


Figure 4

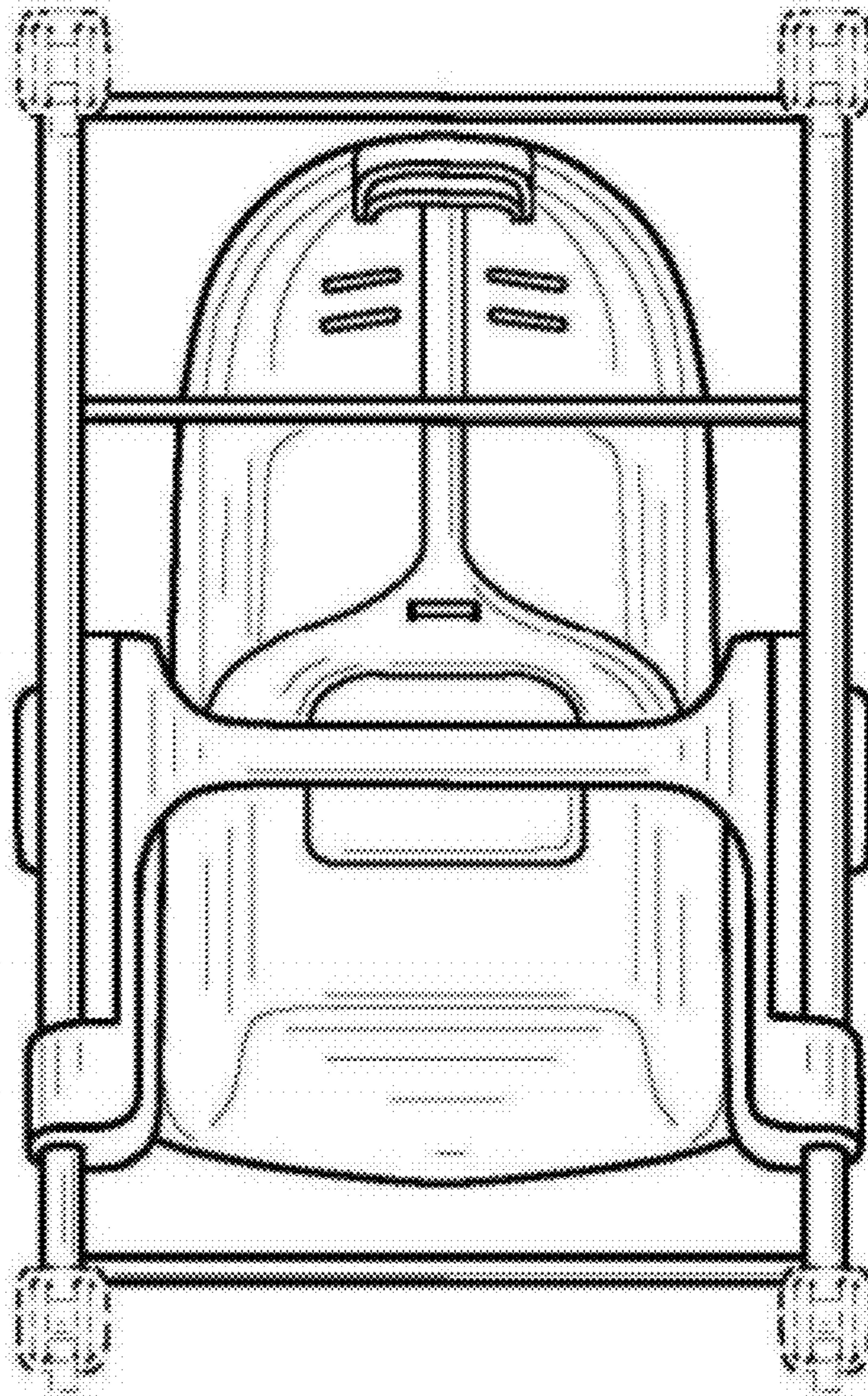


Figure 5

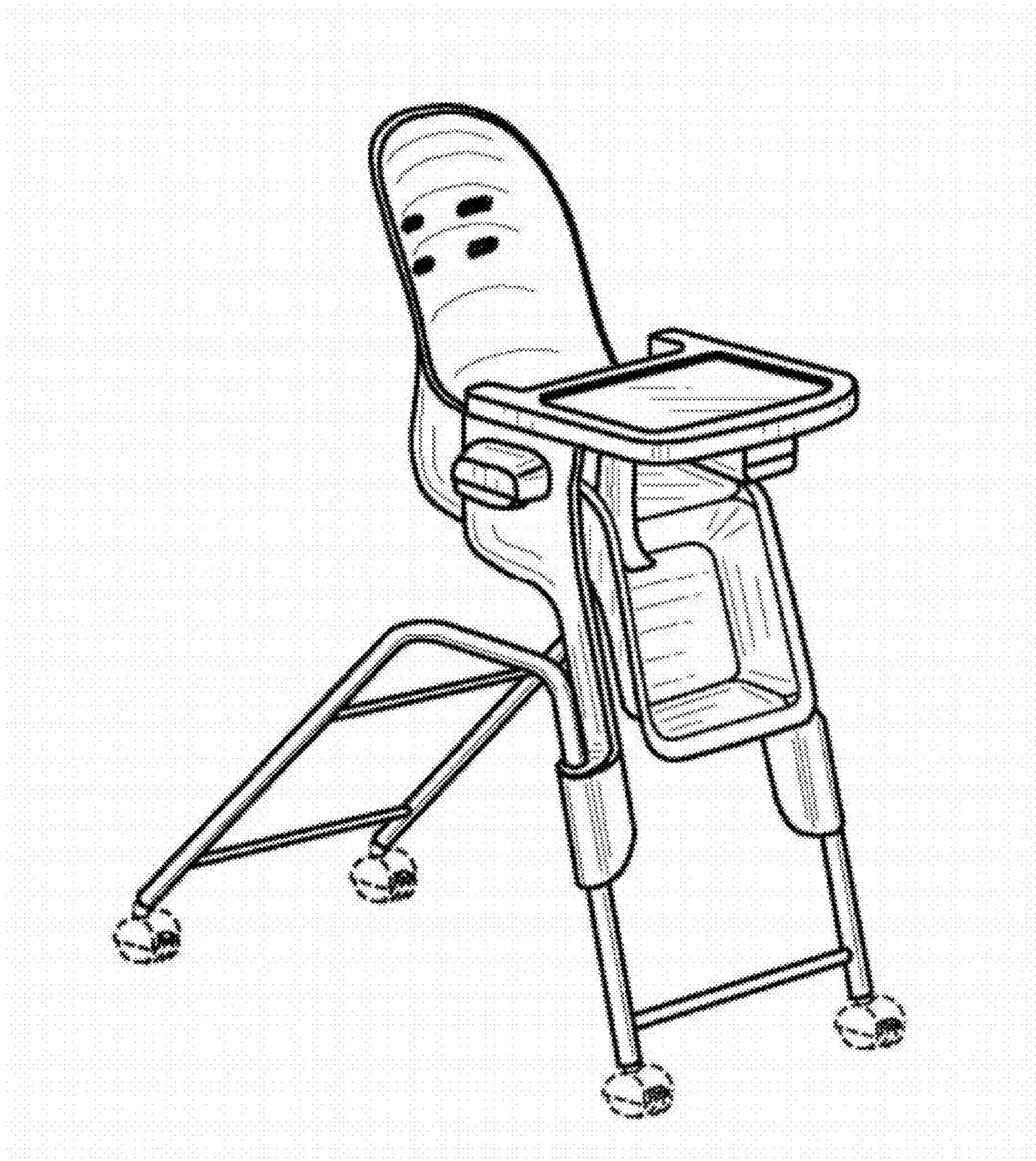


Figure 6

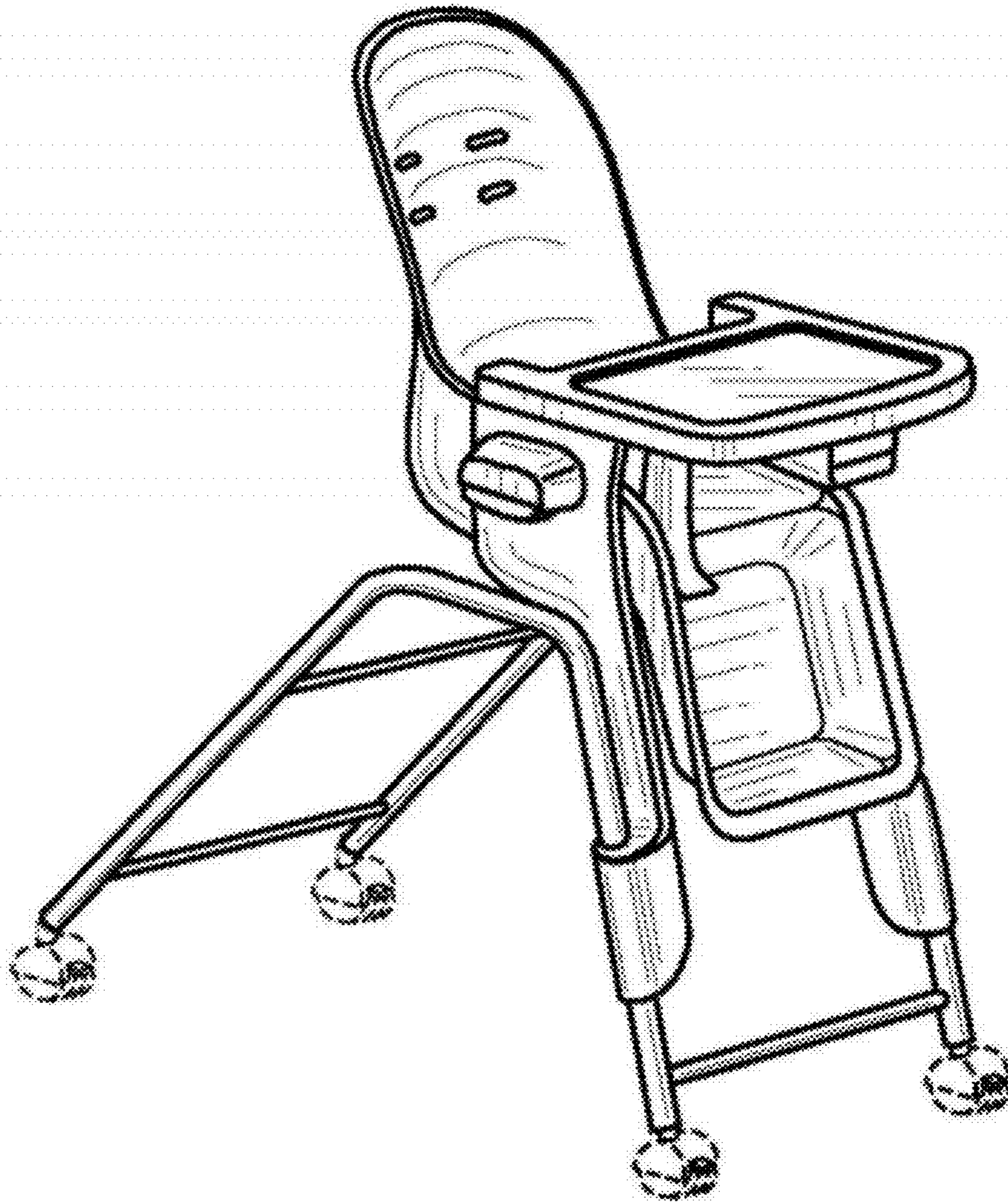


Figure 7