



US00D671749S

(12) **United States Design Patent**
Brown

(10) **Patent No.:** **US D671,749 S**

(45) **Date of Patent:** **** Dec. 4, 2012**

(54) **THREE IN ONE PAINT ROLLER WITH FLEXIBLE HANDLE**

(76) Inventor: **Joe E. Brown**, Los Angeles, CA (US)

(**) Term: **14 Years**

(21) Appl. No.: **29/418,119**

(22) Filed: **Apr. 12, 2012**

(51) **LOC (9) Cl.** **08-05**

(52) **U.S. Cl.** **D4/122**

(58) **Field of Classification Search** D4/122,
D4/199; D6/317, 566; D8/370, 373; 15/27,
15/230.11; 211/106, 106.01; 248/302; 401/197;
492/13, 16, 17, 19

See application file for complete search history.

(56) **References Cited**

U.S. PATENT DOCUMENTS

3,130,435	A *	4/1964	Smith	15/230.11
3,593,361	A	7/1971	Welt		
3,604,046	A	9/1971	Taylor		
4,000,537	A *	1/1977	Woo	15/230.11
4,868,946	A	9/1989	Marino et al.		
5,386,610	A *	2/1995	Batanjski	15/230.11

D417,552	S	12/1999	Snetting et al.		
D443,986	S *	6/2001	Marino	D4/122
6,973,696	B1 *	12/2005	Koumarianos	15/230.11
D602,696	S	10/2009	Morad et al.		
2005/0050663	A1	3/2005	Goulet		
2005/0278884	A1	12/2005	Koumarianos		
2007/0067936	A1	3/2007	Hodges		
2007/0266513	A1	11/2007	Halker		
2009/0188065	A1	7/2009	Major		

* cited by examiner

Primary Examiner — Austin Murphy

(57) **CLAIM**

The ornamental design for a three in one paint roller with flexible handle, as shown and described.

DESCRIPTION

FIG. 1 is a front view (back view is mirror image thereof) of a three in one paint roller with flexible handle showing my new design;

FIG. 2 is a left side view thereof;

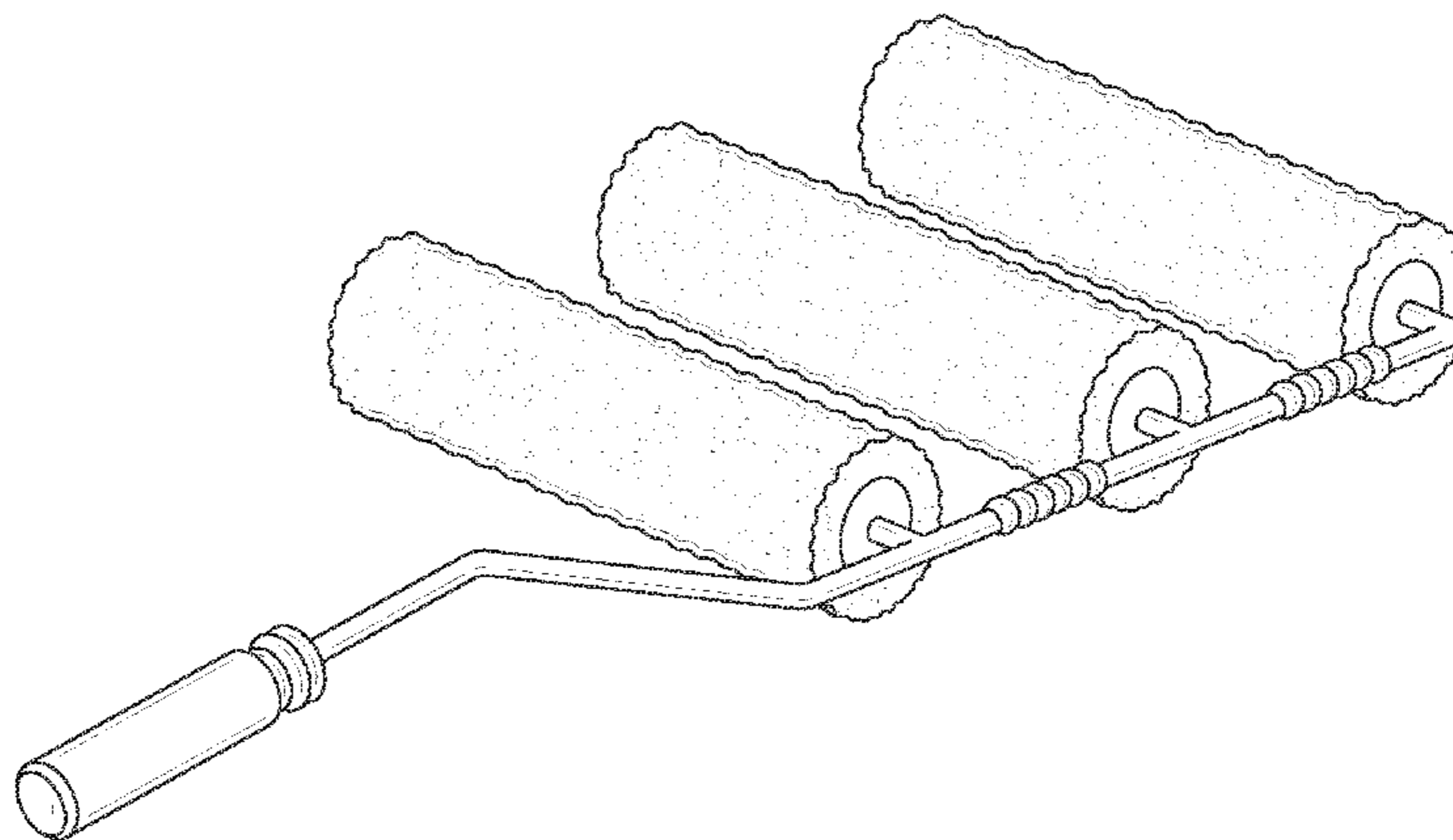
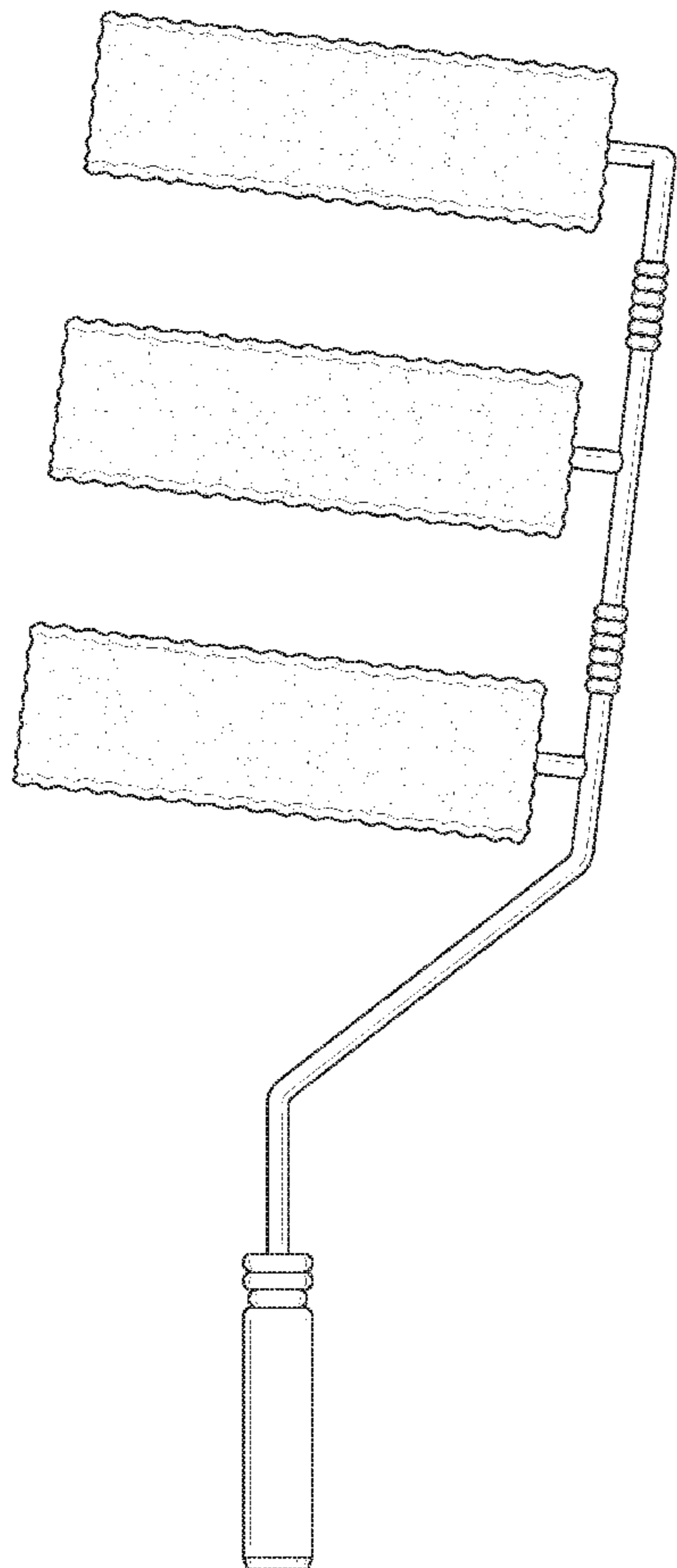
FIG. 3 is a right side view thereof;

FIG. 4 is a top view thereof;

FIG. 5 is another right side view in a condition of use on uneven surface; and,

FIG. 6 is a perspective view of a three in one paint roller with flexible handle in a condition of use on a flat surface.

1 Claim, 5 Drawing Sheets



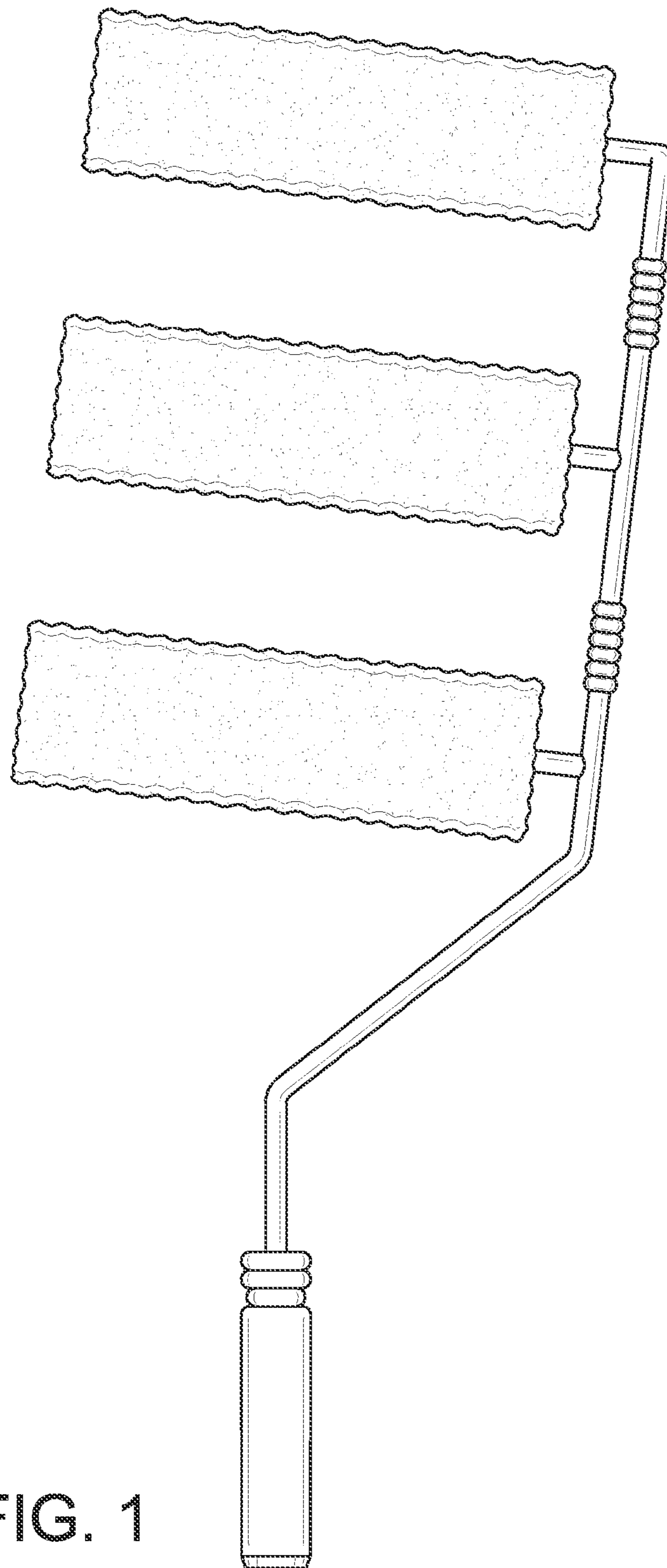


FIG. 1

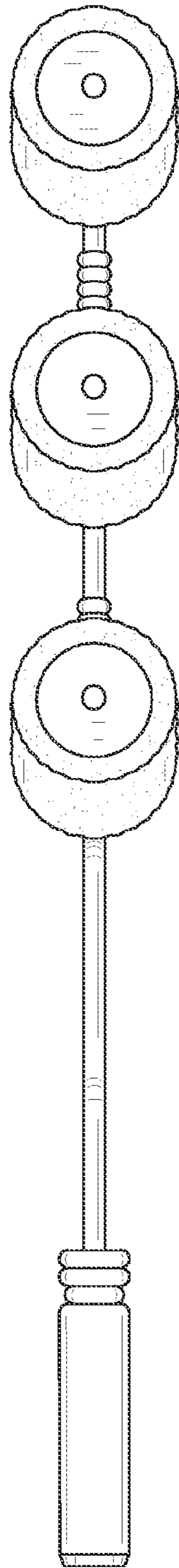


FIG. 2

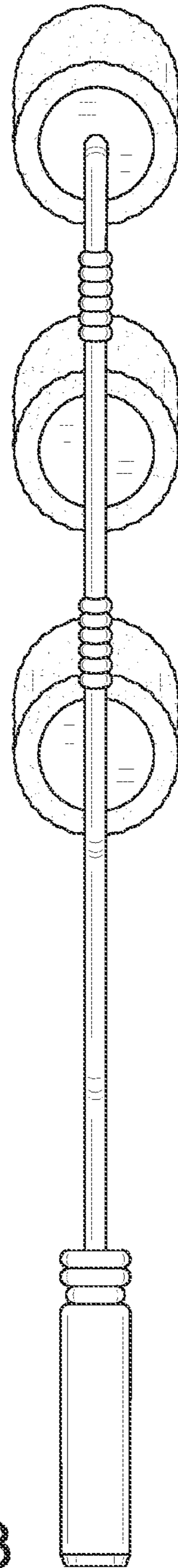


FIG. 3

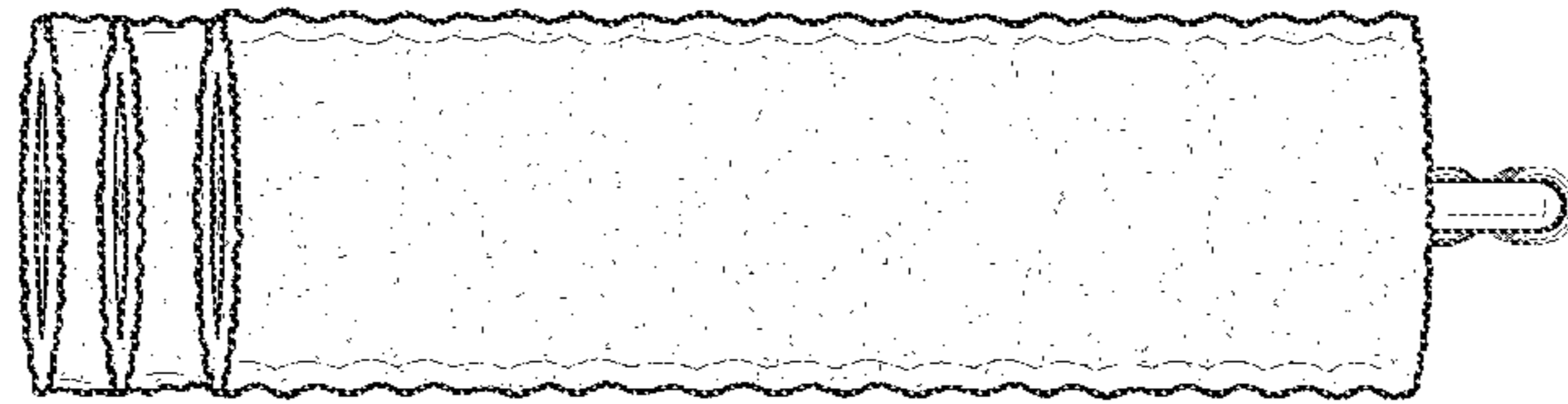


FIG. 4

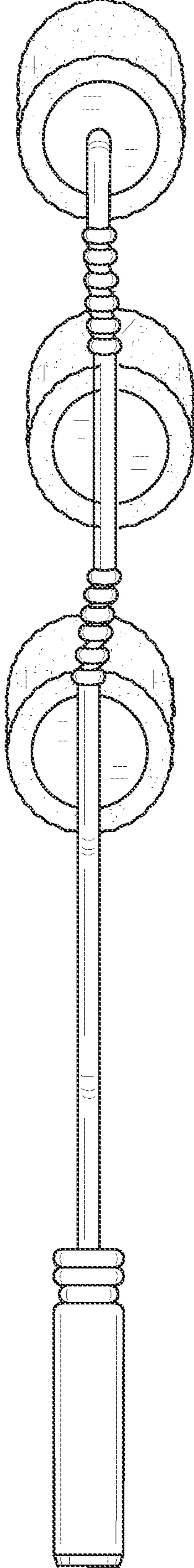


FIG. 5

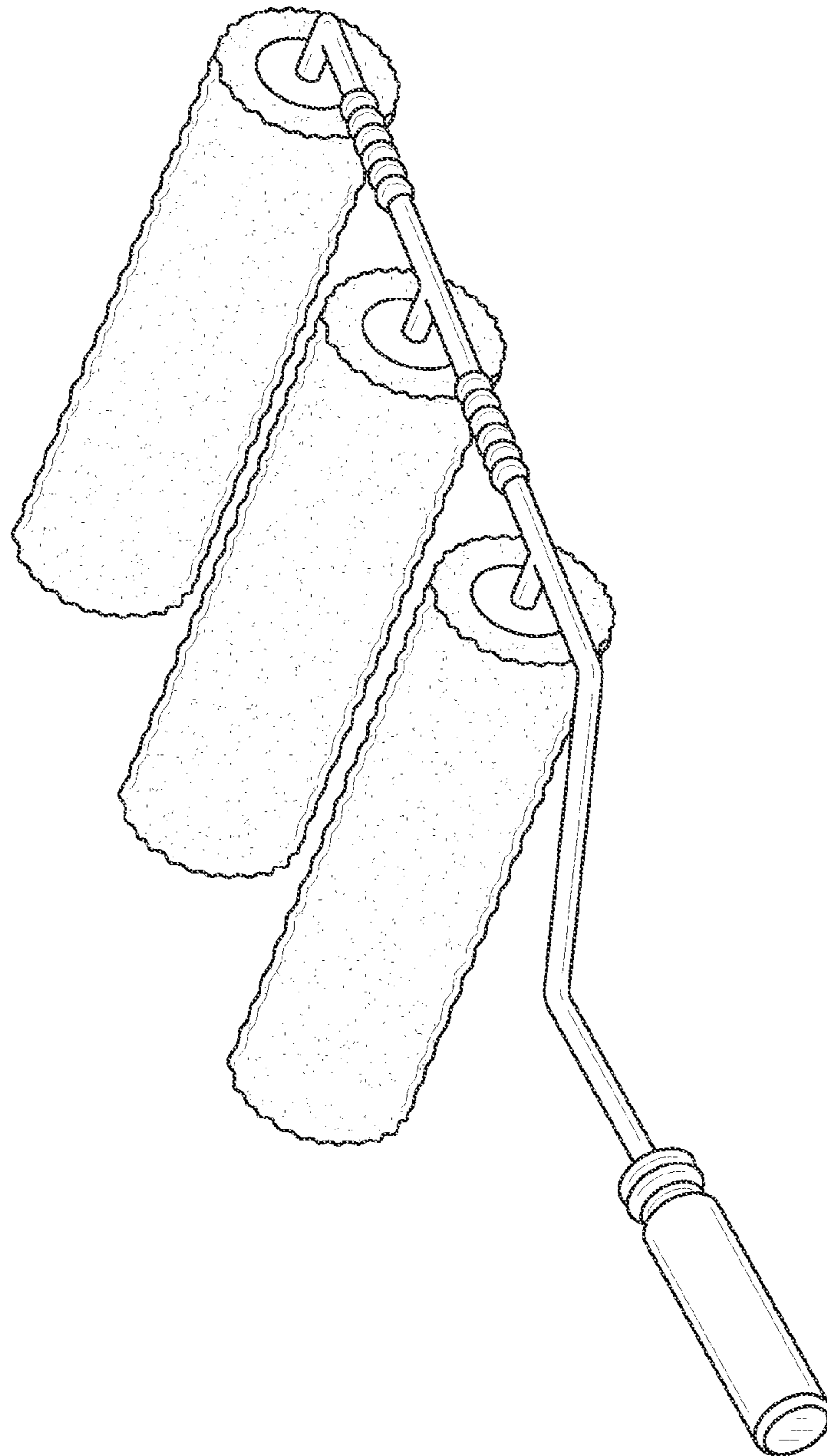


FIG. 6