



US00D671747S

(12) **United States Design Patent**  
**Guyton et al.**

(10) **Patent No.:** **US D671,747 S**

(45) **Date of Patent:** **\*\* Dec. 4, 2012**

(54) **LINT ROLLER**

(75) Inventors: **Allison L. Guyton**, Lawrenceville, GA  
(US); **Alan T. Pepin**, Saint Cloud, FL  
(US)

(73) Assignee: **PrymConsumer USA Inc.**, Spartanburg,  
SC (US)

(\*\*) Term: **14 Years**

(21) Appl. No.: **29/411,798**

(22) Filed: **Jan. 26, 2012**

(51) **LOC (9) Cl.** ..... **04-01**

(52) **U.S. Cl.** ..... **D4/122**

(58) **Field of Classification Search** ..... D4/122,  
D4/128, 138; 15/27, 104.002, 143.1, 230.11;  
16/110.1, 430; 492/13, 14, 17, 19

See application file for complete search history.

(56) **References Cited**

U.S. PATENT DOCUMENTS

5,878,457	A *	3/1999	Cox et al.	.....	15/104.002
5,940,921	A *	8/1999	Wood et al.	.....	15/104.002
D467,736	S *	12/2002	Russell	.....	D4/122
D468,540	S *	1/2003	Jessen	.....	D4/122
D483,570	S *	12/2003	Heidel et al.	.....	D4/122
D531,815	S *	11/2006	Treacy	.....	D4/138
D552,356	S *	10/2007	Newbould et al.	.....	D4/122
D573,798	S *	7/2008	Catalfamo et al.	.....	D4/122

D575,065	S *	8/2008	Benson et al.	.....	D4/122
7,665,175	B2 *	2/2010	Jewell	.....	15/104.002
D629,616	S *	12/2010	Vasilakes	.....	D4/122
D637,403	S *	5/2011	Schmidt	.....	D4/122
D655,091	S *	3/2012	van der Lande	.....	D4/122
D656,319	S *	3/2012	Kye et al.	.....	D4/122
2003/0209564	A1 *	11/2003	McKay	.....	222/192
2006/0009337	A1 *	1/2006	Smith	.....	492/13

\* cited by examiner

*Primary Examiner* — Austin Murphy

(74) *Attorney, Agent, or Firm* — J. Bennett Mullinex, LLC

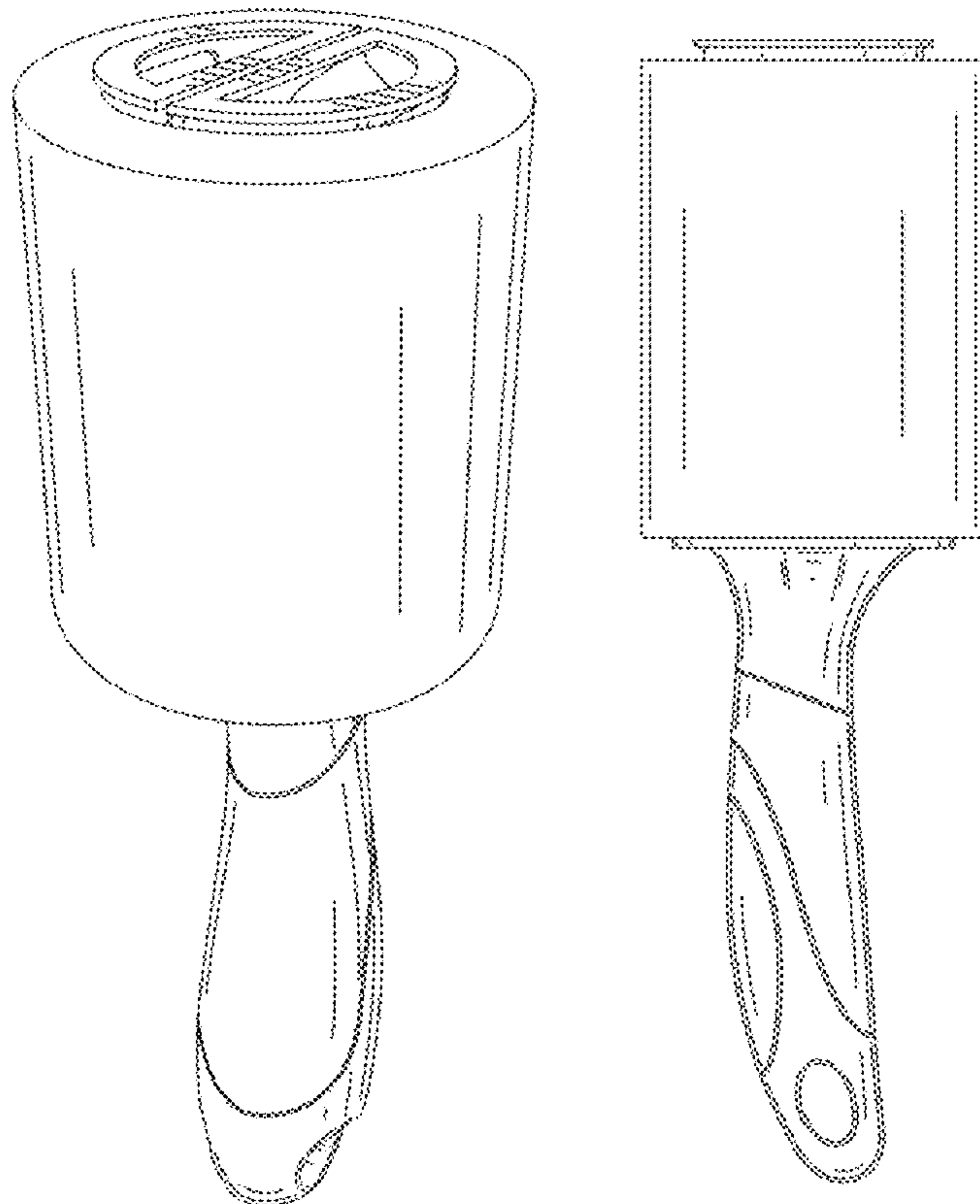
(57) **CLAIM**

The ornamental design for a lint roller, as shown and described.

**DESCRIPTION**

FIG. 1 is a bottom perspective view of a lint roller.  
 FIG. 2 is a top plan view of the lint roller as seen in FIG. 1.  
 FIG. 3 is a right elevation view of the lint roller as seen in FIG. 1.  
 FIG. 4 is a bottom plan view of the lint roller as seen in FIG. 1.  
 FIG. 5 is a left elevation view of the lint roller as seen in FIG. 1.  
 FIG. 6 is a front view of the lint roller as seen in FIG. 1; and,  
 FIG. 7 is a rear view of the lint roller as seen in FIG. 1.

**1 Claim, 6 Drawing Sheets**



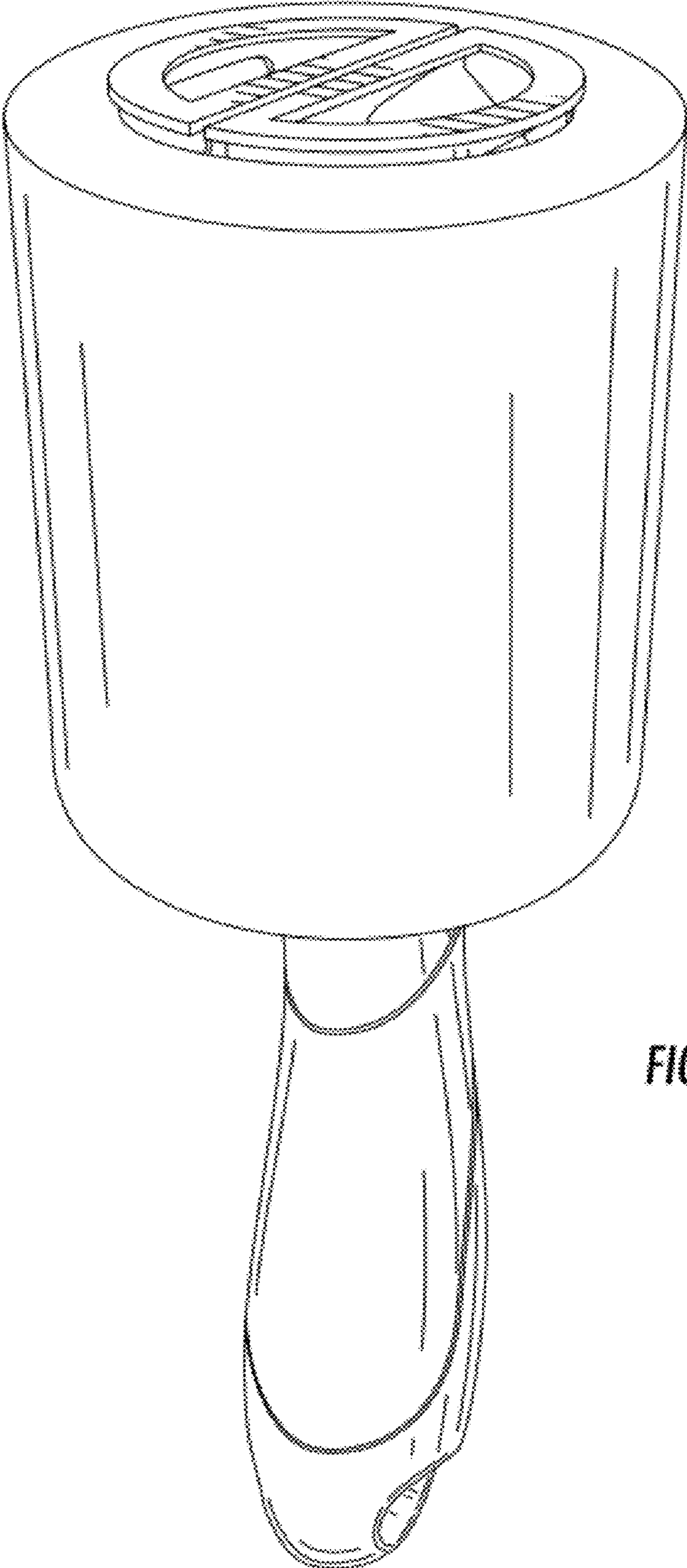


FIG. 1

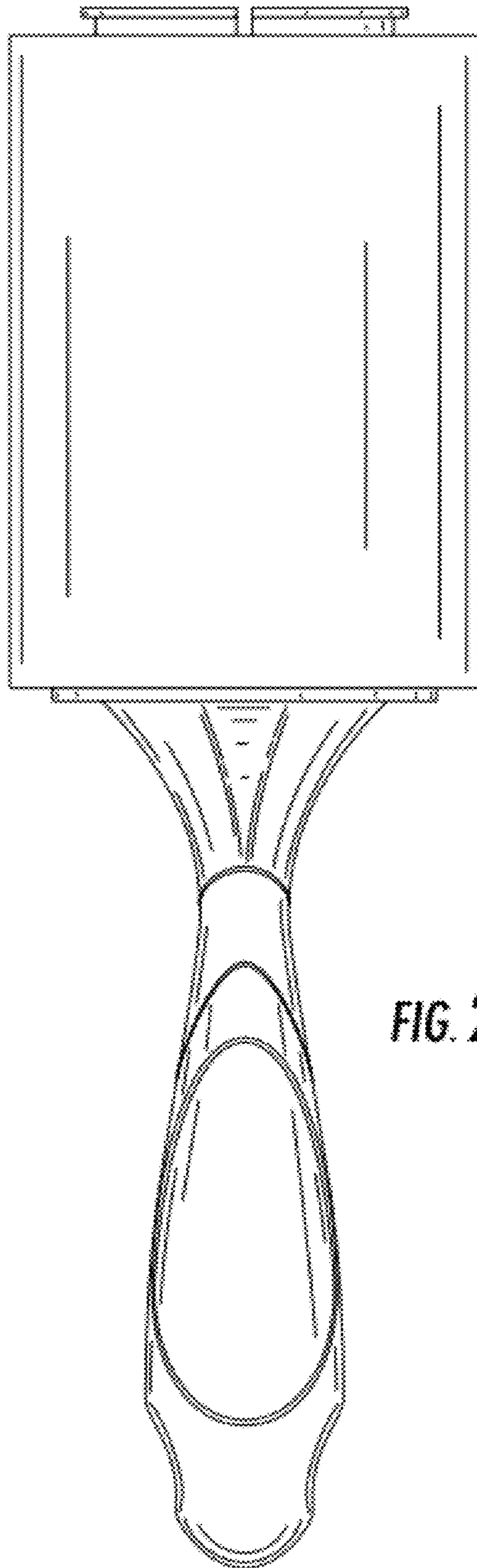


FIG. 2

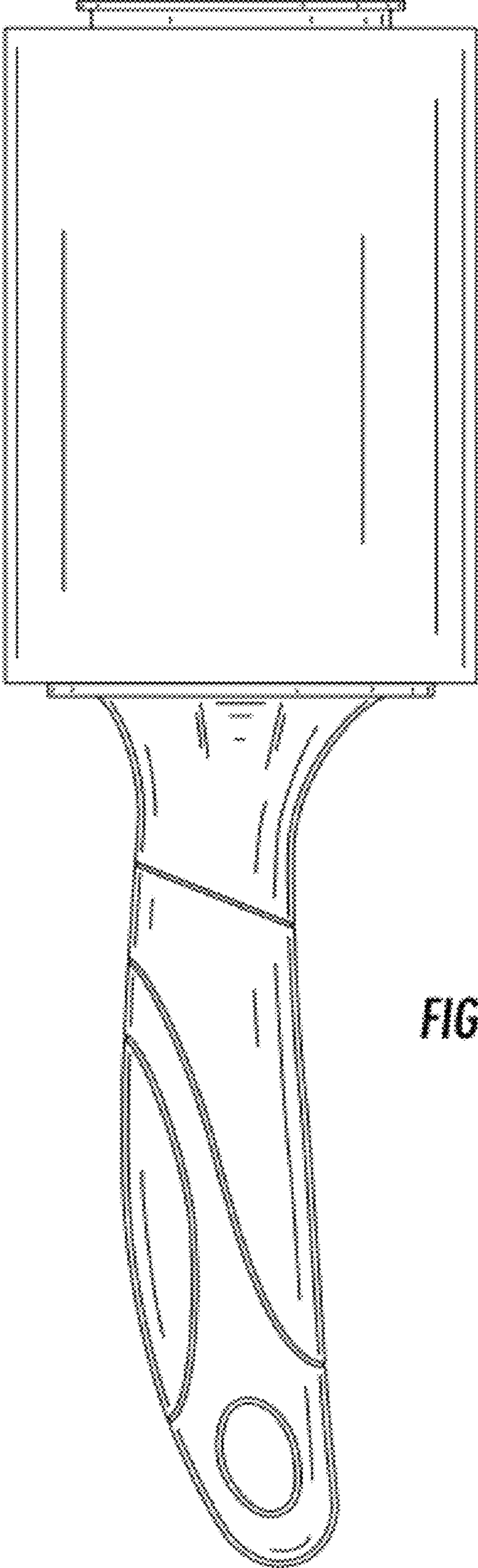


FIG. 3



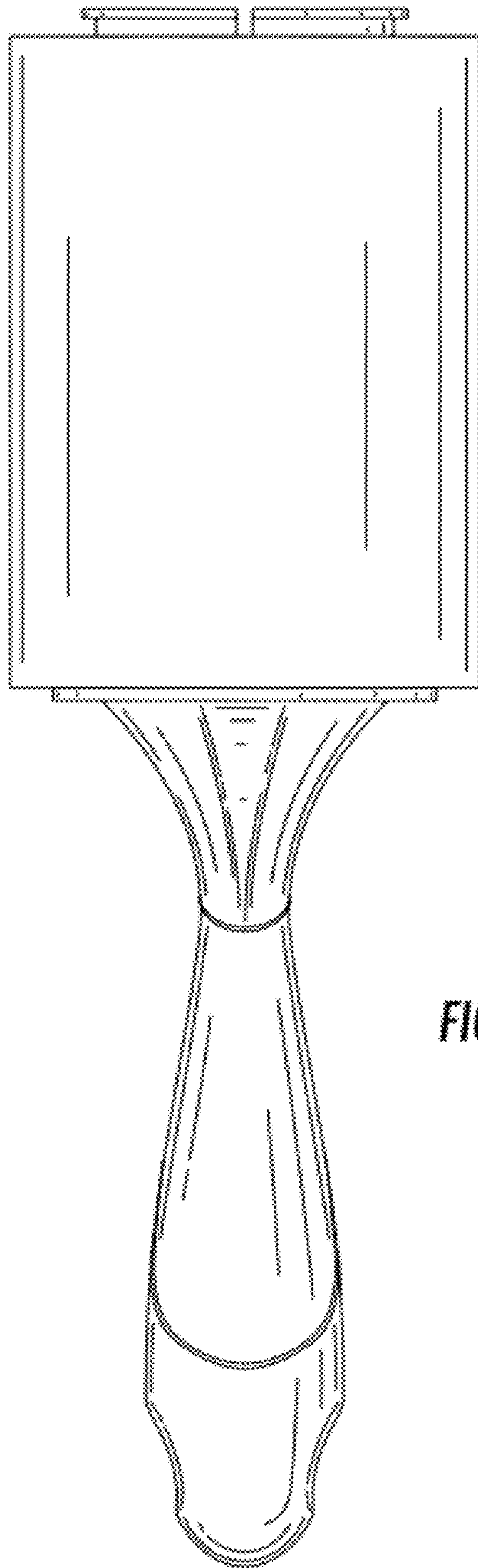


FIG. 4

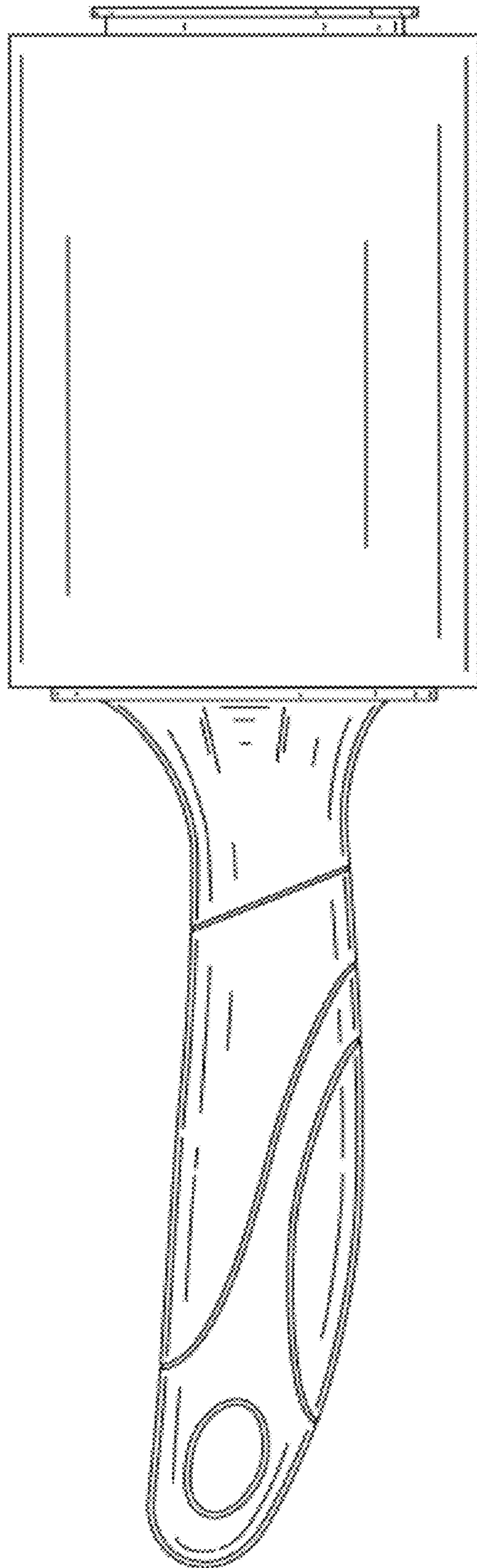
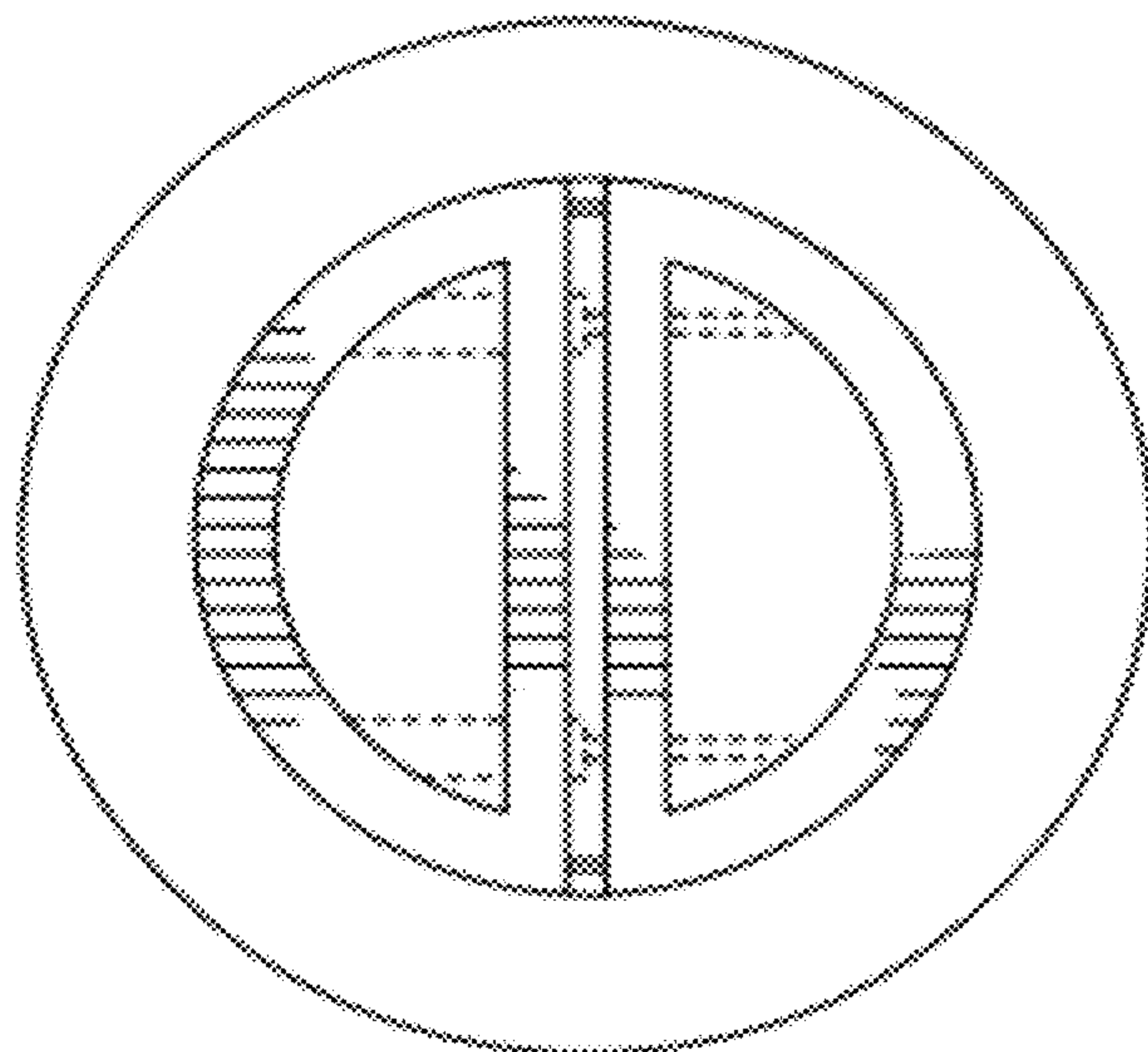
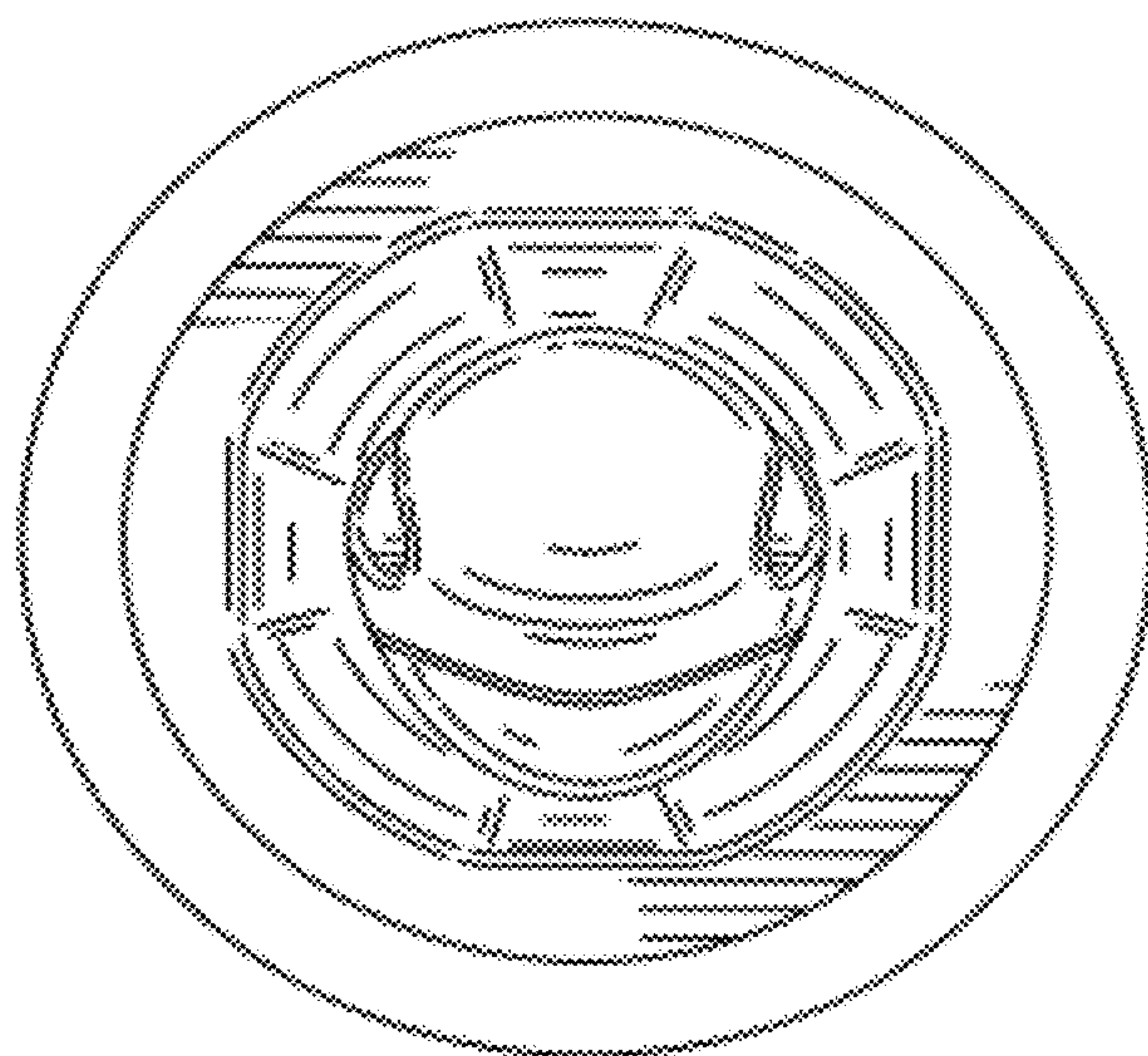


FIG. 5



**FIG. 6**



**FIG. 7**