



US00D671746S

(12) **United States Design Patent**  
**Lee**

(10) **Patent No.:** **US D671,746 S**  
(45) **Date of Patent:** **\*\* Dec. 4, 2012**

(54) **HEAD PORTION OF A TOOTHBRUSH**  
(75) Inventor: **David K. Lee**, East Brunswick, NJ (US)  
(73) Assignee: **Colgate-Palmolive Company**, New York, NY (US)  
(\*\*) Term: **14 Years**  
(21) Appl. No.: **29/361,090**  
(22) Filed: **May 5, 2010**  
(51) **LOC (9) Cl.** ..... **04-02**  
(52) **U.S. Cl.** ..... **D4/108**  
(58) **Field of Classification Search** ..... D4/101, D4/104-112; 15/110, 167.1, 167.2; 132/308-311; 601/139, 141; 606/161; D24/146, 147  
See application file for complete search history.

EM 000255559-0007 2/2005  
EM 000255559-0008 2/2005  
EM 000255559-0009 2/2005  
EM 000255559-0010 2/2005  
EM 000255559-0011 2/2005  
EM 000255559-0012 2/2005  
EM 000255559-0013 2/2005  
EM 000255559-0014 2/2005  
EM 000255559-0015 2/2005  
EM 000255559-0016 2/2005  
EM 000255559-0017 2/2005  
EM 000383138-0001 11/2005  
EM 000426127-0001 12/2005  
EM 458443-0001 2/2006  
EM 000458443-0002 2/2006

(Continued)

*Primary Examiner* — Melanie H Tung  
*Assistant Examiner* — Lavone D Tabor

(56) **References Cited**

**U.S. PATENT DOCUMENTS**

1,892,068 A 12/1932 Metzler  
D514,320 S 2/2006 Hohlbein  
D549,462 S 8/2007 Blanchard et al.  
D576,798 S 9/2008 Moskovich  
D581,164 S 11/2008 Moskovich  
D582,162 S 12/2008 Moskovich  
7,480,955 B2 1/2009 Hohlbein et al.  
D611,254 S \* 3/2010 Lee ..... D4/108  
2003/0163149 A1 8/2003 Heisinger, Jr.  
2004/0255416 A1 12/2004 Hohlbein  
2006/0047292 A1 3/2006 Reed  
2006/0222683 A1 10/2006 Mythen  
2008/0201884 A1 8/2008 Vazquez et al.

**FOREIGN PATENT DOCUMENTS**

DE 102006024874 A1 \* 11/2007  
EM 000255559-0001 2/2005  
EM 000255559-0002 2/2005  
EM 000255559-0003 2/2005  
EM 000255559-0004 2/2005  
EM 000255559-0005 2/2005  
EM 000255559-0006 2/2005

(57) **CLAIM**

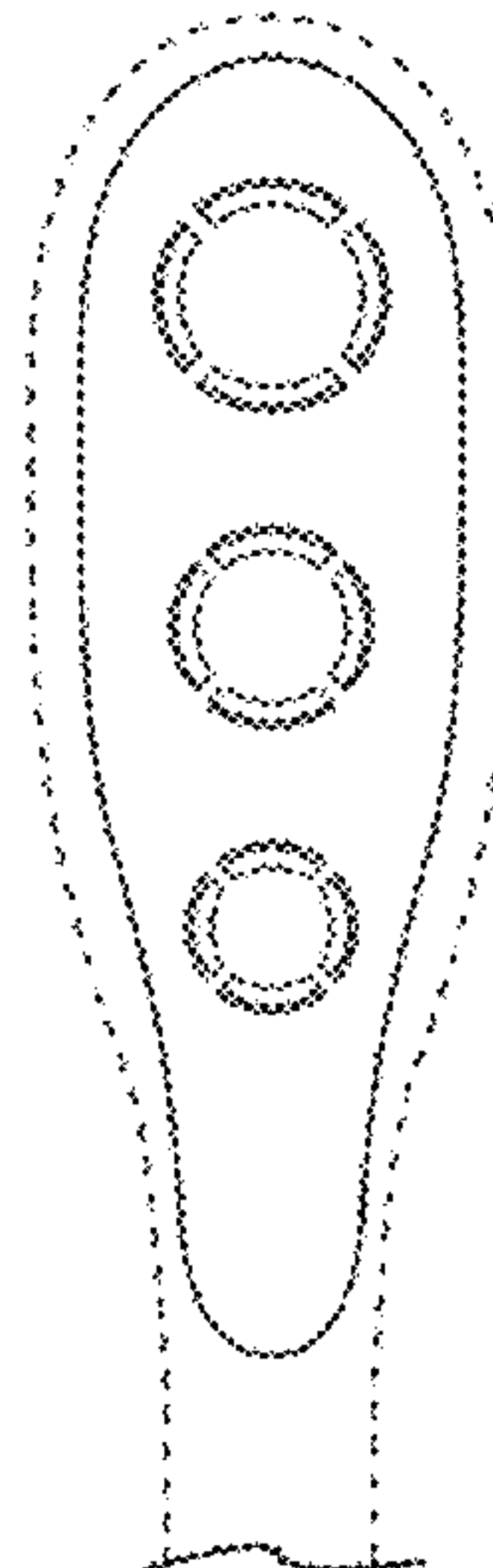
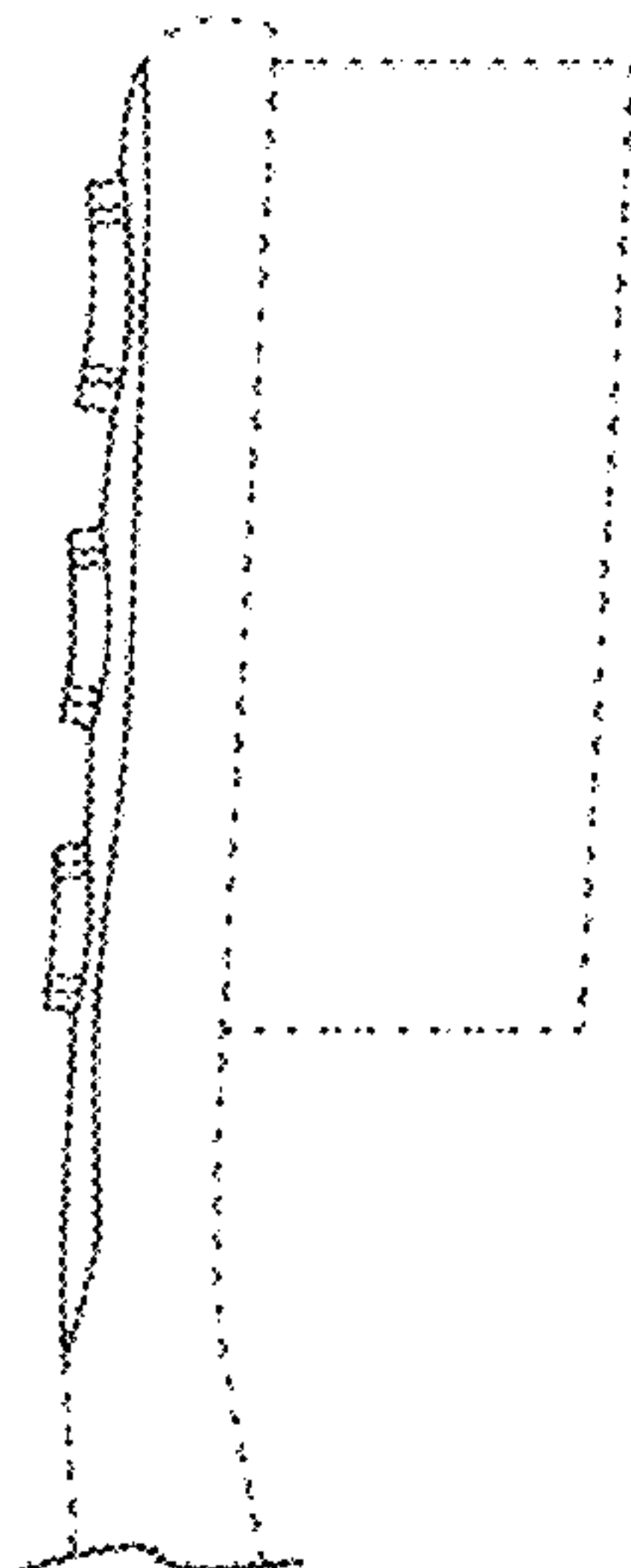
The ornamental design for a head portion of a toothbrush, as shown and described.

**DESCRIPTION**

FIG. 1 is a front view of a head portion of a toothbrush according to the new design;  
FIG. 2 is a right side view thereof, the left side view being the same;  
FIG. 3 is a rear view thereof;  
FIG. 4 is a bottom view thereof;  
FIG. 5 is a top view thereof;  
FIG. 6 is a front perspective view thereof;  
FIG. 7 is a rear perspective view thereof;  
FIG. 8 is a close up side view of the head portion thereof;  
FIG. 9 is a close up rear view of the head portion thereof; and,  
FIG. 10 is a close up rear perspective view of the head portion thereof.

All broken lines shown in the drawings are for environmental purposes only and form no part of the claimed design.

**1 Claim, 4 Drawing Sheets**



# US D671,746 S

Page 2

---

FOREIGN PATENT DOCUMENTS			
EM	000708169-0001		5/2007
EM	000624093-0001	A1	9/2007
EM	000624093-0002	A1	9/2007
EM	000624093-0003	A1	9/2007
EM	000624093-0004	A1	9/2007
EM	000624093-0005	A1	9/2007
EM	000624093-0006	A1	9/2007
EM	000624093-0007	A1	9/2007
EM	000624093-0008	A1	9/2007
EM	000624093-0009	A1	9/2007
EM	000624093-0010	A1	9/2007
EM	000624093-0011	A1	9/2007
EM	000624093-0012	A1	9/2007
EM	000624093-0013	A1	9/2007
EM	000624093-0014	A1	9/2007
EM	000624093-0015	A1	9/2007
EM	000624093-0016	A1	9/2007
EM	000624093-0017	A1	9/2007
EM	000624093-0018	A1	9/2007
EM	000624093-0019	A1	9/2007
EM	000624093-0020	A1	9/2007
EM	000624093-0021	A1	9/2007
EM	000624093-0022	A1	9/2007
WO	200145573	A1	6/2001

\* cited by examiner

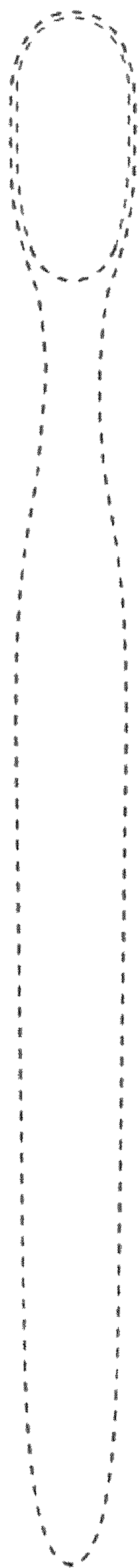


FIG. 1

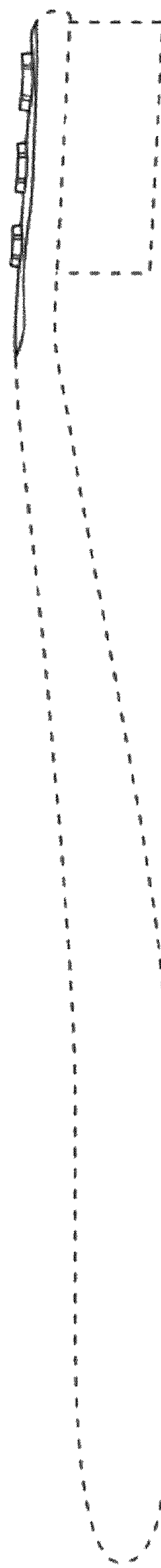


FIG. 2

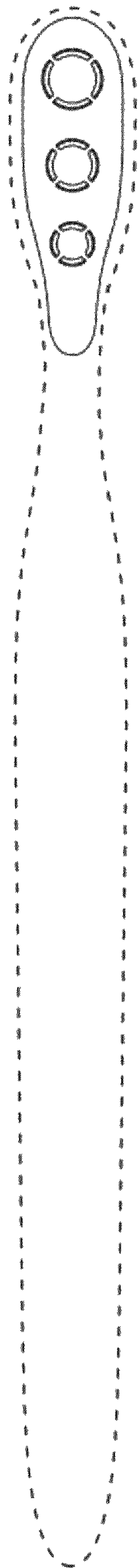


FIG. 3



FIG. 4

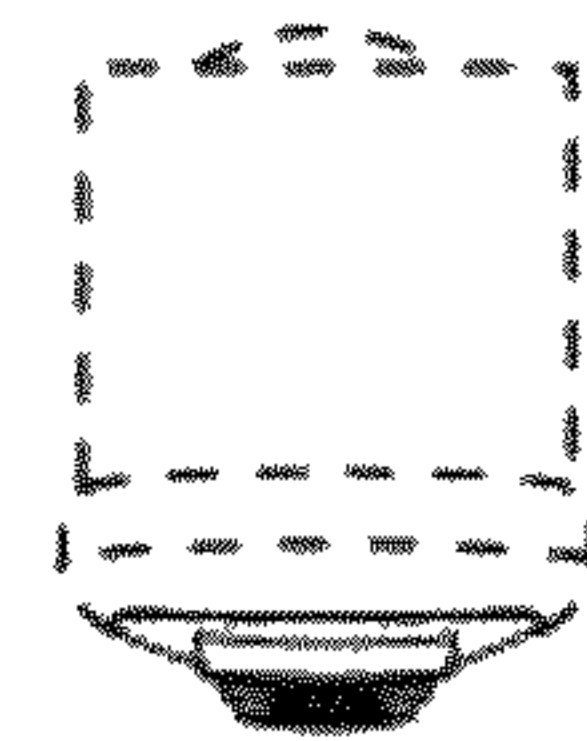


FIG. 5

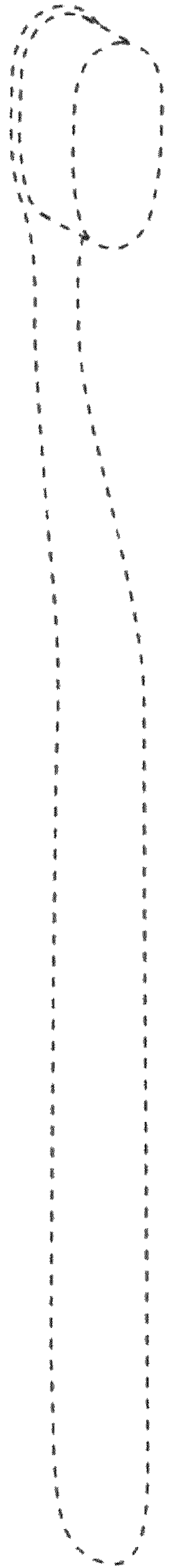


FIG. 6

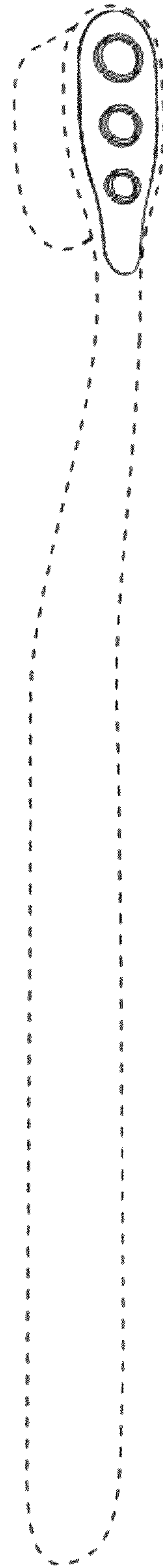


FIG. 7



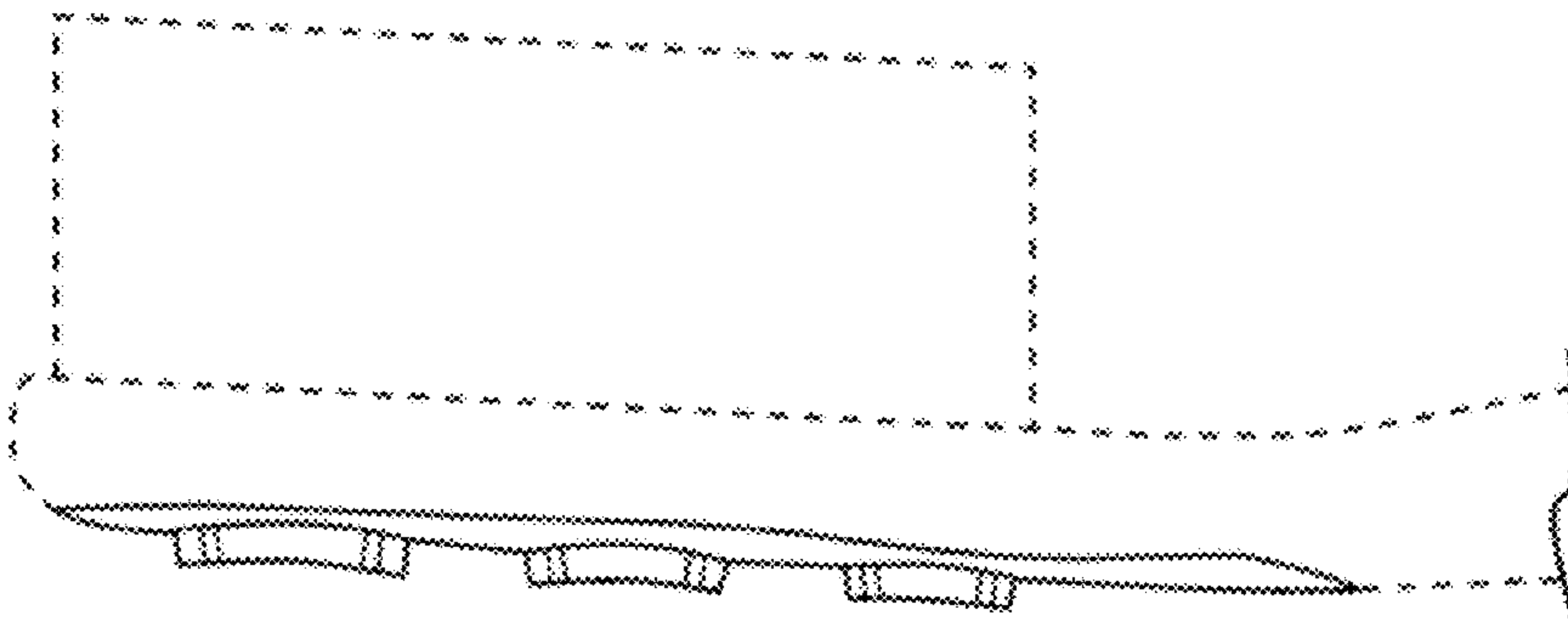


FIG. 8

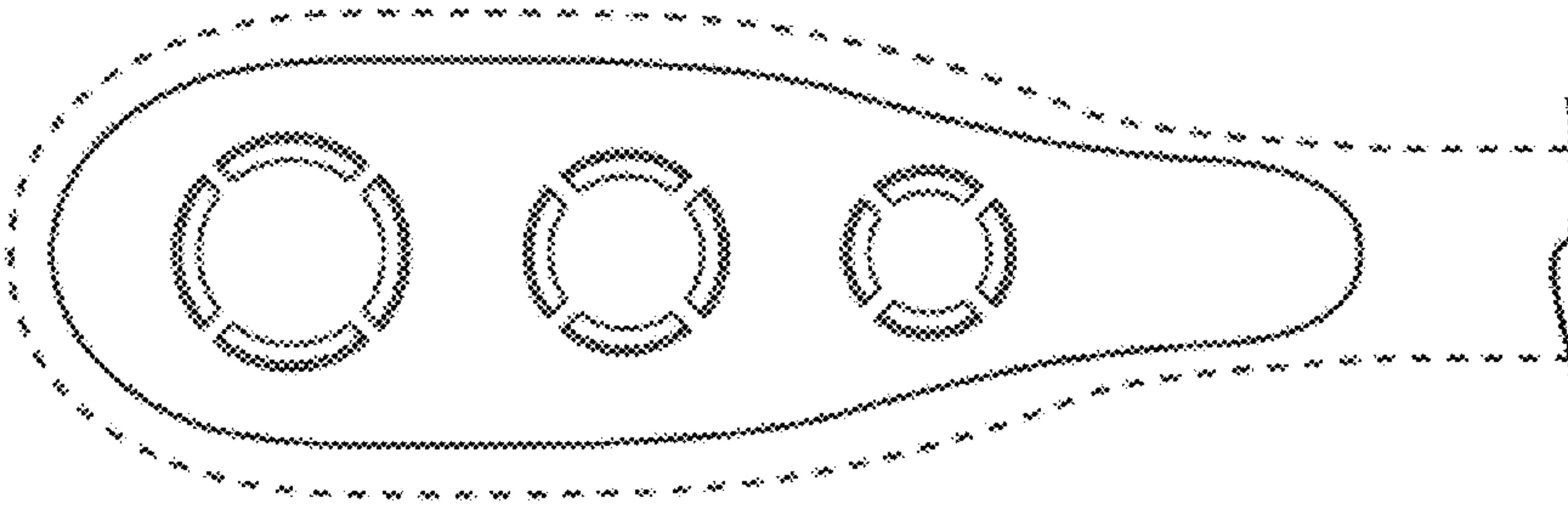


FIG. 9

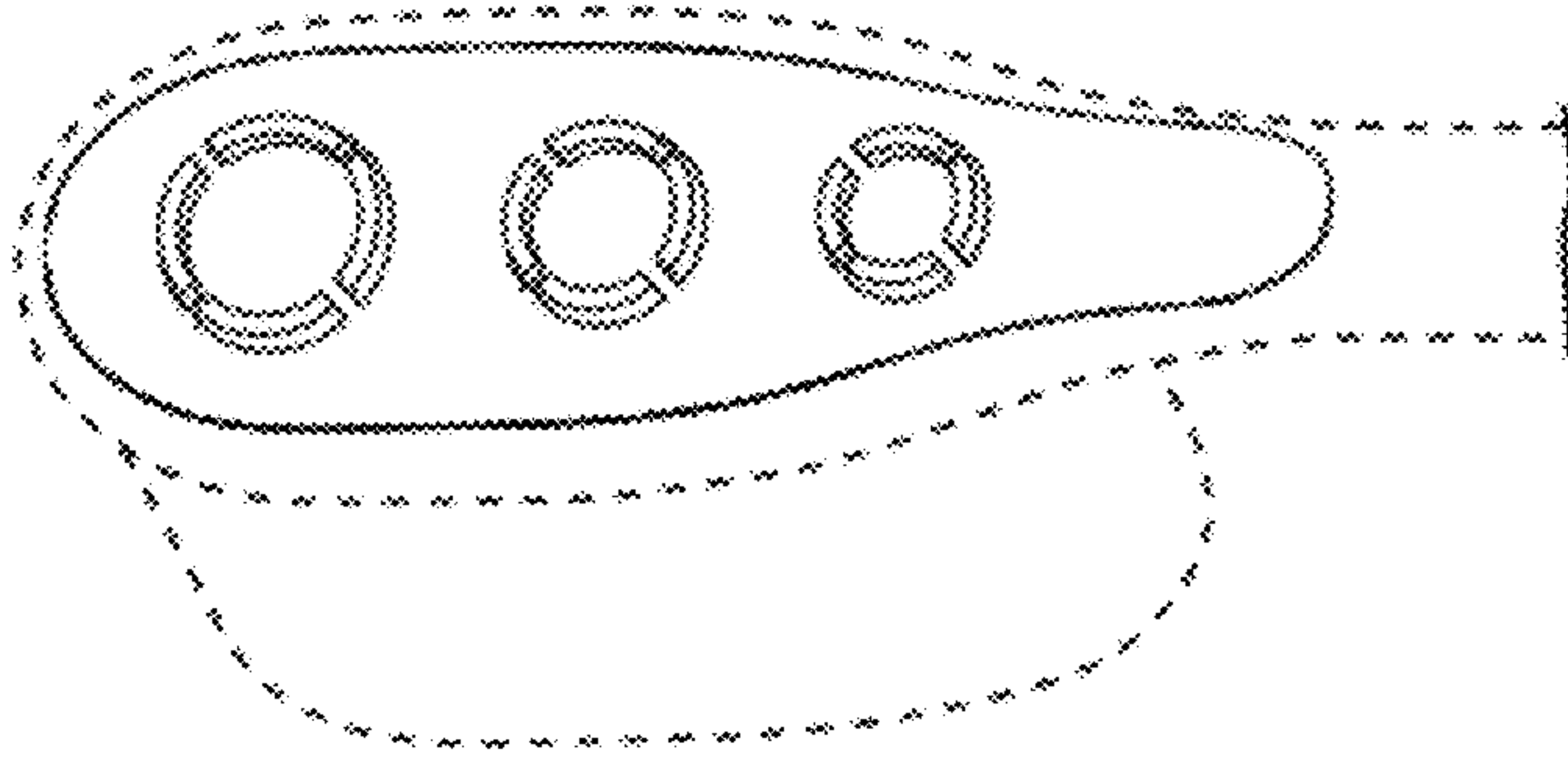


FIG. 10