



US00D671743S

(12) **United States Design Patent**  
**Cenzano et al.**

(10) **Patent No.:** **US D671,743 S**  
(45) **Date of Patent:** **\*\* Dec. 4, 2012**

(54) **CLOSABLE BOX**

- (75) Inventors: **Lauren Cenzano**, East Northport, NY (US); **Doug Mudd**, O'Fallon, MO (US)
- (73) Assignee: **Esselte Corporation**, Melville, NY (US)
- (\*\*) Term: **14 Years**
- (21) Appl. No.: **29/398,382**
- (22) Filed: **Jul. 29, 2011**

**Related U.S. Application Data**

- (63) Continuation-in-part of application No. 29/384,488, filed on Jan. 31, 2011.
- (51) **LOC (9) Cl.** ..... **03-01**
- (52) **U.S. Cl.** ..... **D3/272; D3/294; D99/28**
- (58) **Field of Classification Search** ..... **D3/272, D3/273, 292, 294-297, 900, 276, 318, 321, D3/322, 323; 190/19, 23, 37, 40, 900; D99/28**  
See application file for complete search history.

(56) **References Cited**

**U.S. PATENT DOCUMENTS**

D67,730	S	*	6/1925	Wheary	.....	D3/272
2,626,025	A	*	1/1953	Sherman	.....	190/37
D247,993	S	*	5/1978	Calzone, III	.....	D3/204
D288,863	S	*	3/1987	Vuitton	.....	D3/289
4,744,445	A	*	5/1988	Anderson et al.	.....	190/107
4,813,542	A	*	3/1989	Thompson et al.	.....	206/504
D415,614	S	*	10/1999	Akaike et al.	.....	D3/276
D419,766	S	*	2/2000	Rekuc	.....	D3/272
D493,936	S	*	8/2004	Perella et al.	.....	D99/28
D496,791	S	*	10/2004	Perella et al.	.....	D3/267

(Continued)

**OTHER PUBLICATIONS**

Chinese Office Action dated Oct. 17, 2011 for Chinese Patent Design Application No. 201130258993.X.

(Continued)

*Primary Examiner* — Jennifer Rivard

(74) *Attorney, Agent, or Firm* — Dorsey & Whitney LLP

(57) **CLAIM**

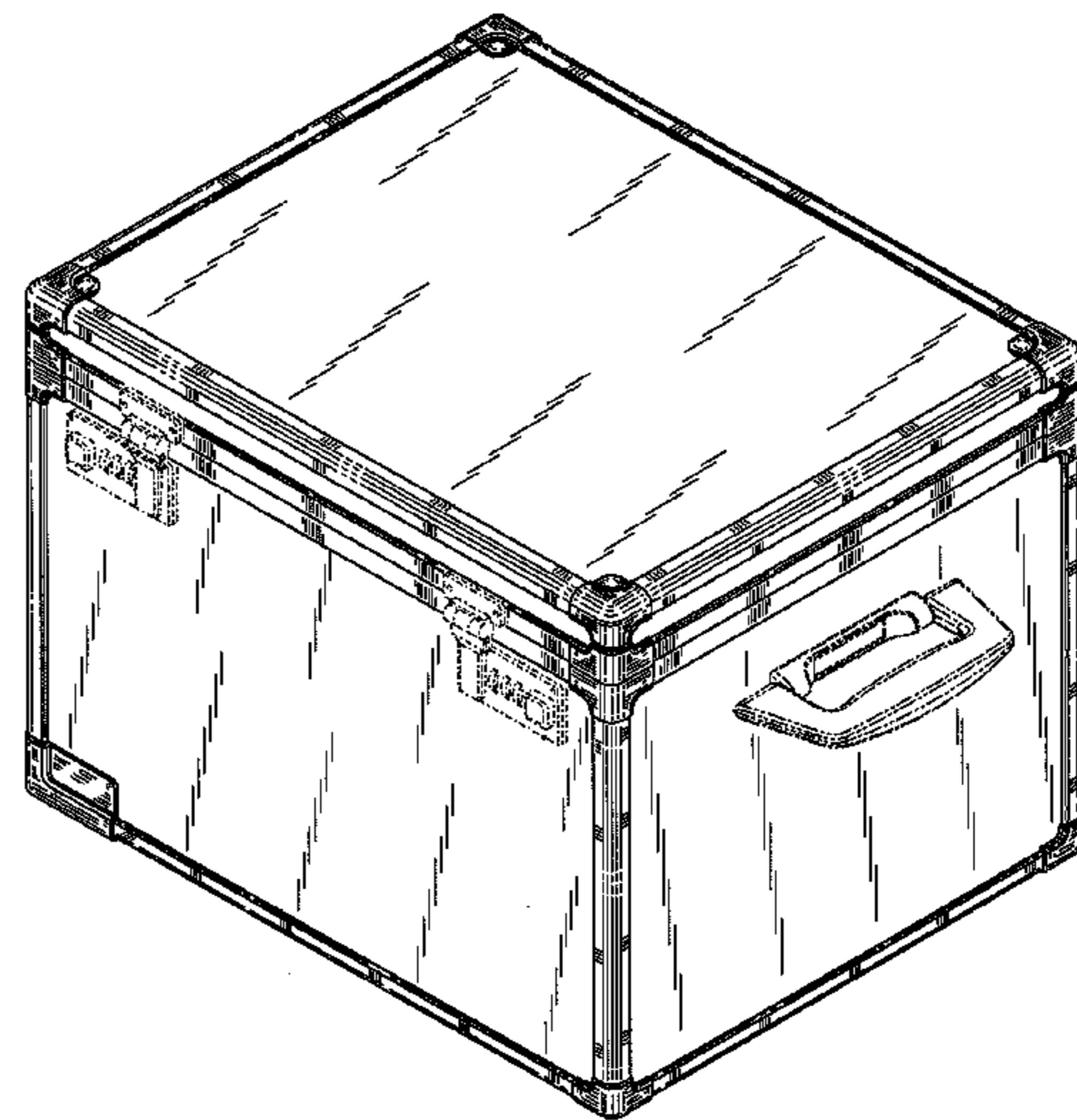
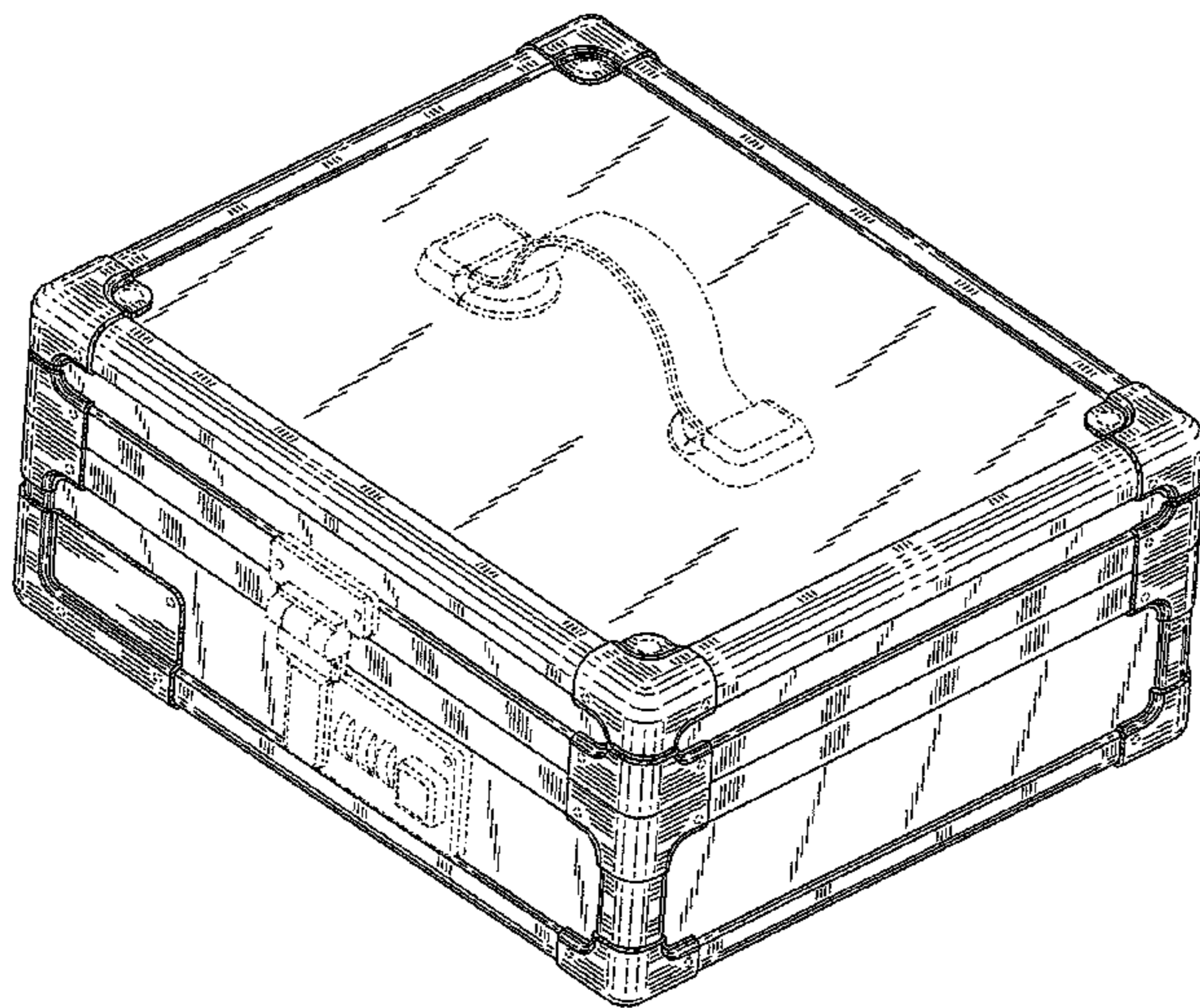
We claim the ornamental design for a closable box, as shown and described.

**DESCRIPTION**

FIG. 1 is a perspective view of an exemplary embodiment of a closable box;  
 FIG. 2 is a front view of the closable box shown in FIG. 1;  
 FIG. 3 is a back view of the closable box shown in FIG. 1;  
 FIG. 4 is a top view of the closable box shown in FIG. 1;  
 FIG. 5 is a bottom view of the closable box shown in FIG. 1;  
 FIG. 6 is a right side view of the closable box shown in FIG. 1;  
 FIG. 7 is a left side view of the closable box shown in FIG. 1;  
 FIG. 8 is a perspective view of another exemplary embodiment of a closable box;  
 FIG. 9 is a front view of the closable box shown in FIG. 8;  
 FIG. 10 is a back view of the closable box shown in FIG. 8;  
 FIG. 11 is a top view of the closable box shown in FIG. 8;  
 FIG. 12 is a bottom view of the closable box shown in FIG. 8;  
 FIG. 13 is a right side view of the closable box shown in FIG. 8; and,  
 FIG. 14 is a left side view of the closable box shown in FIG. 8.

The broken lines shown in the drawings illustrate portions of the article and form no part of the claimed design.

**1 Claim, 14 Drawing Sheets**



# US D671,743 S

Page 2

## U.S. PATENT DOCUMENTS

D498,049 S \* 11/2004 Perella et al. .... D3/273  
D499,883 S \* 12/2004 Perella et al. .... D3/276  
D500,922 S \* 1/2005 Perella et al. .... D3/273  
D501,083 S \* 1/2005 Perella et al. .... D3/276  
D501,720 S \* 2/2005 Hussaini et al. .... D3/273  
D503,024 S \* 3/2005 Perella et al. .... D99/28  
D503,503 S \* 3/2005 Perella et al. .... D99/28  
D509,357 S \* 9/2005 Perella et al. .... D3/267  
D511,035 S \* 10/2005 Perella et al. .... D99/28  
D529,287 S \* 10/2006 Perella et al. .... D3/294  
D562,048 S \* 2/2008 Perella et al. .... D3/272  
D574,655 S \* 8/2008 Perella et al. .... D3/294  
D578,819 S \* 10/2008 Perella et al. .... D3/294

D579,174 S \* 10/2008 Decarlo et al. .... D99/28  
D596,399 S \* 7/2009 Decarlo et al. .... D3/291  
D619,810 S \* 7/2010 Huang ..... D3/276  
D625,517 S \* 10/2010 Rossi et al. .... D3/272  
D643,213 S \* 8/2011 Hsiao et al. .... D3/272  
D643,623 S \* 8/2011 Chin et al. .... D3/272  
2004/0188205 A1 \* 9/2004 Badaan ..... 190/124

## OTHER PUBLICATIONS

Mexican Office Action dated Jul. 4, 2012 for Mexican Patent Design  
Application No. MX/f/2011/002589.

\* cited by examiner



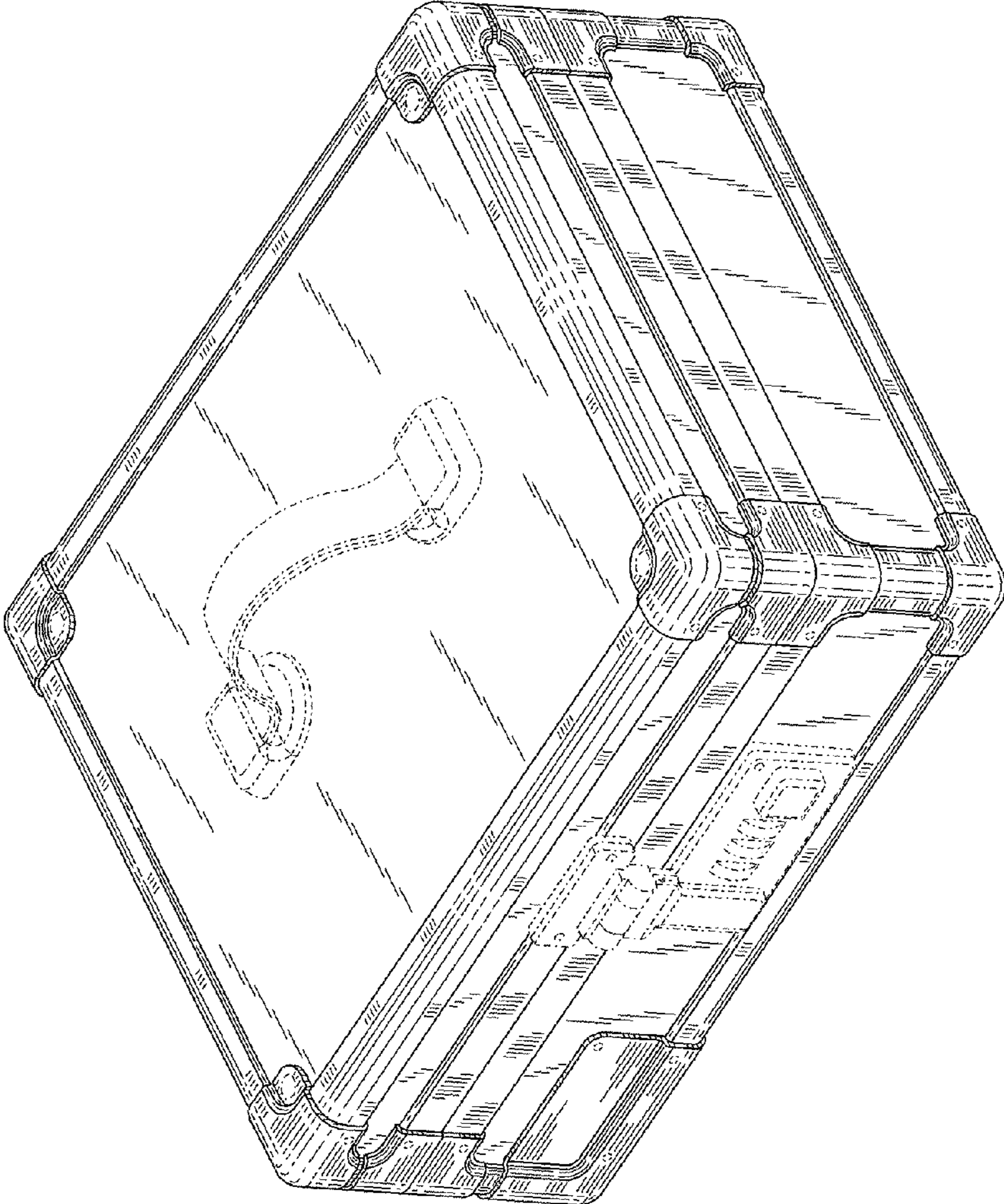


FIG. 1

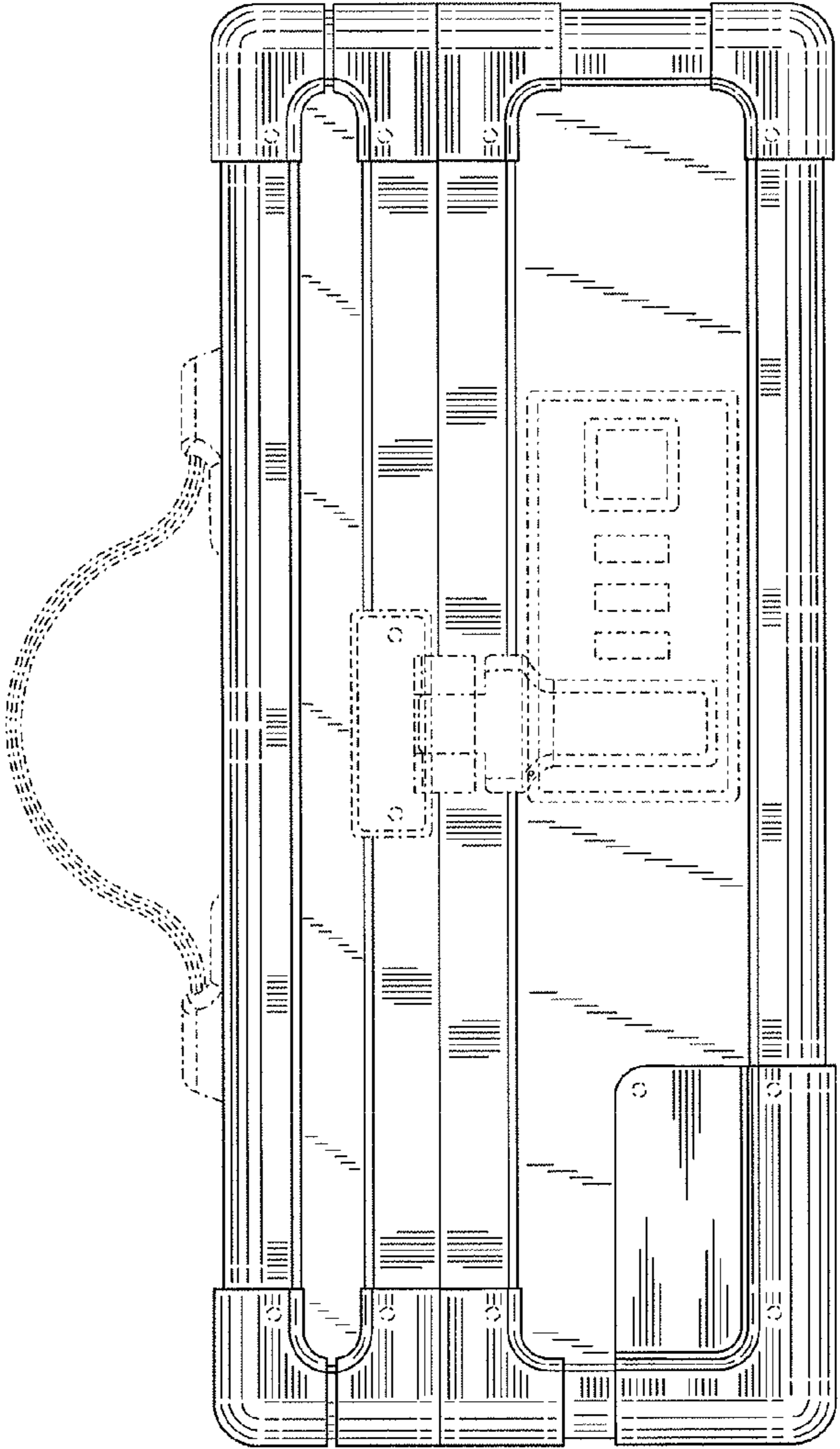


FIG. 2

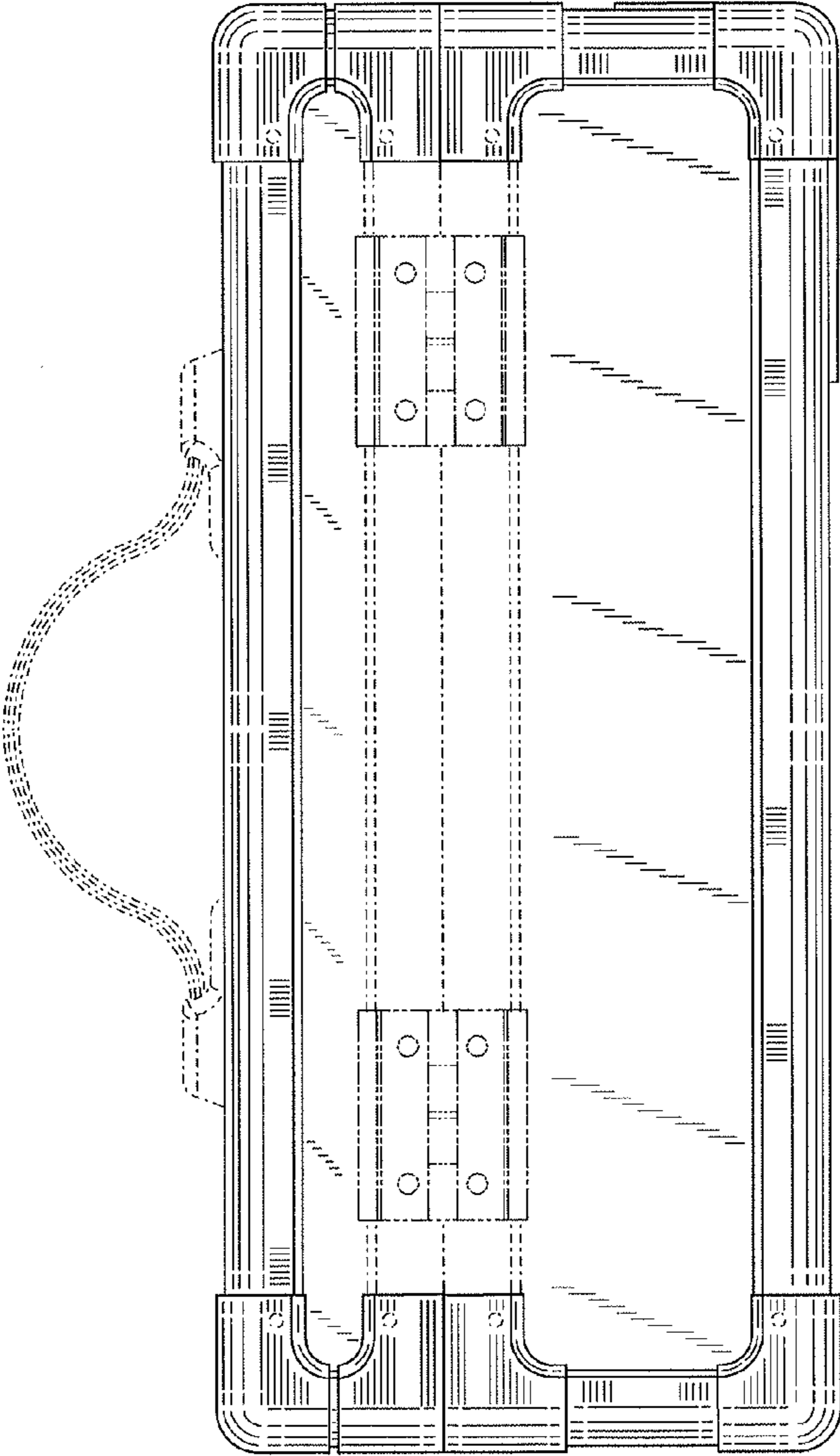


FIG. 3

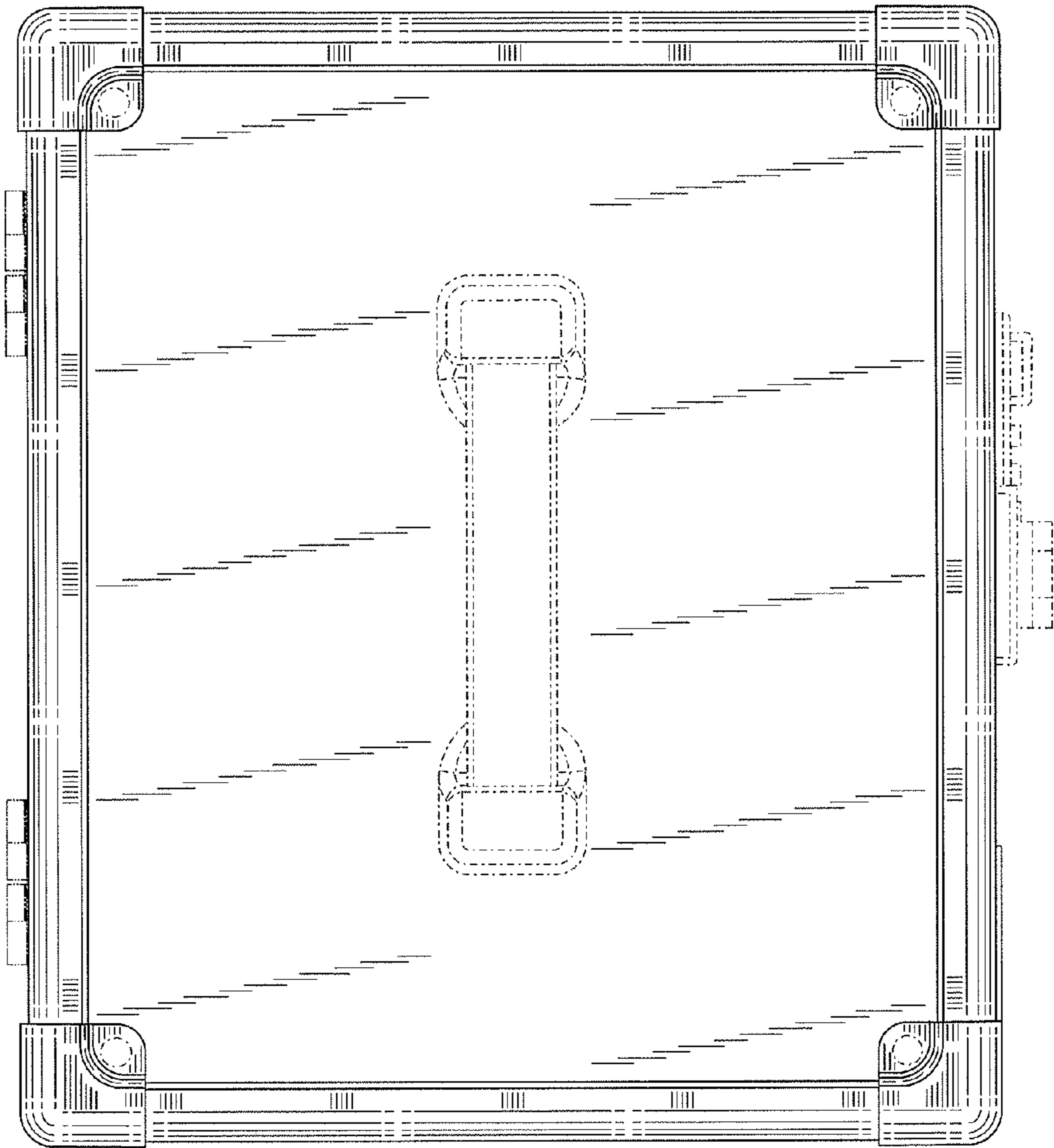


FIG. 4

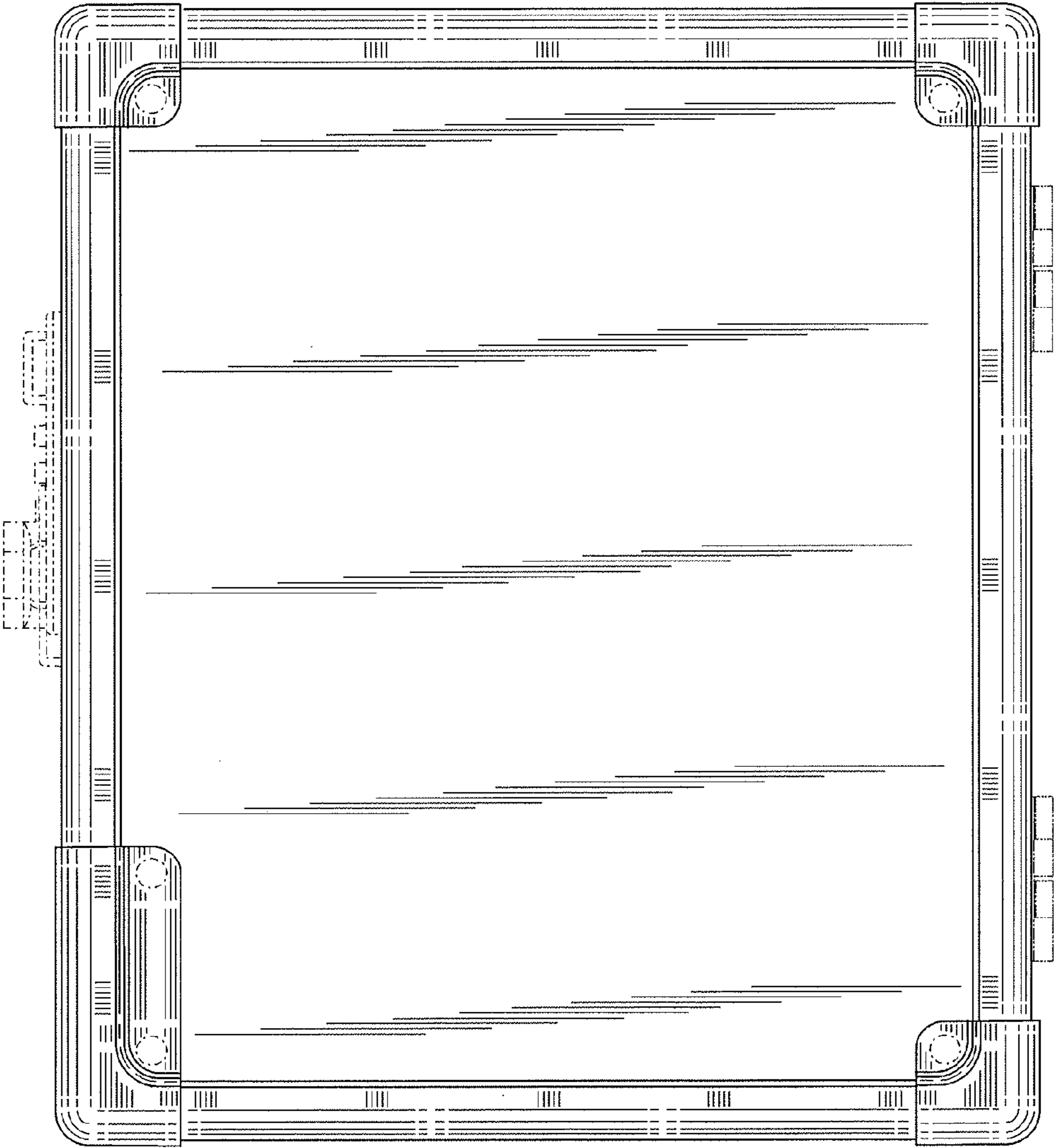


FIG. 5



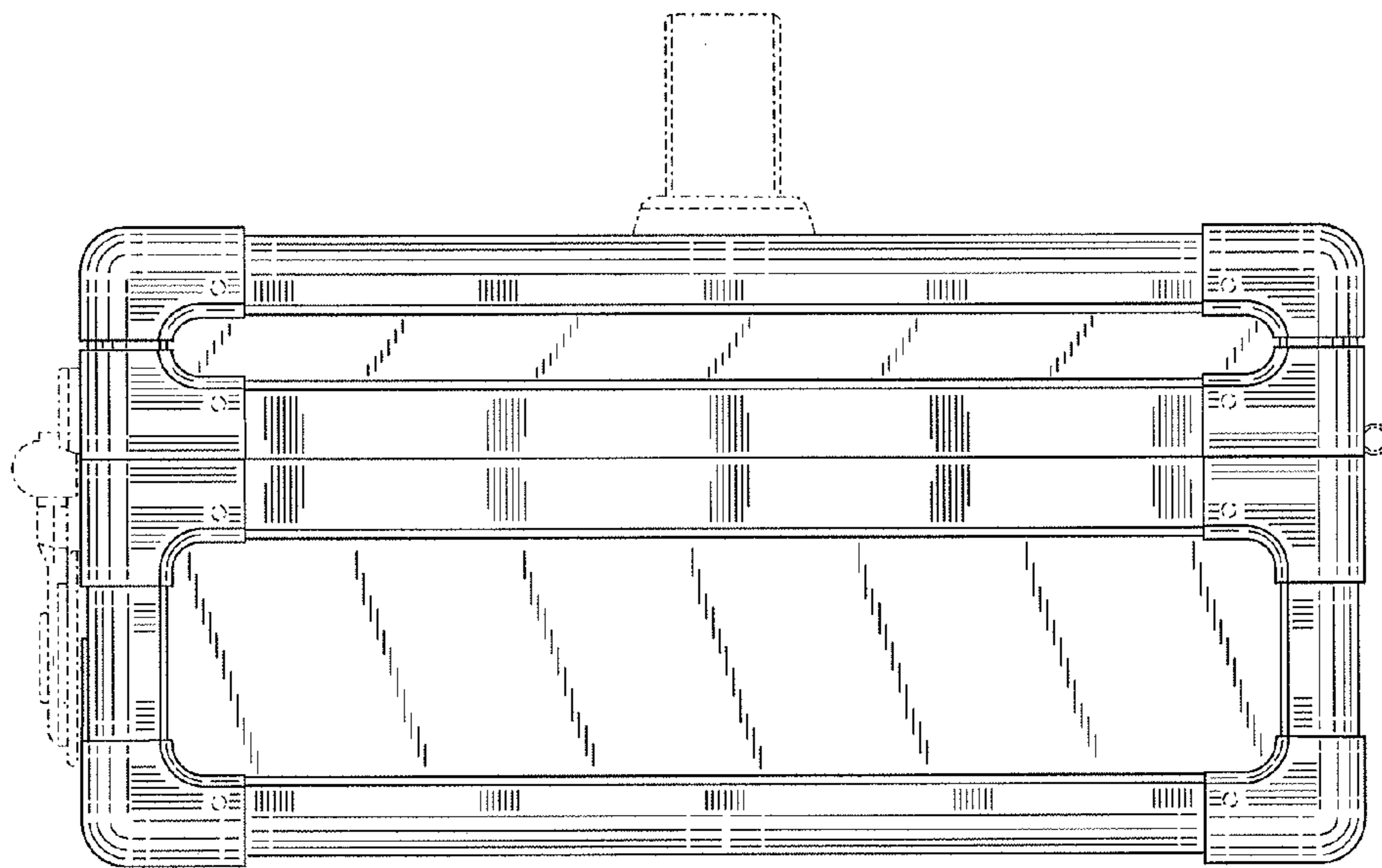


FIG.6



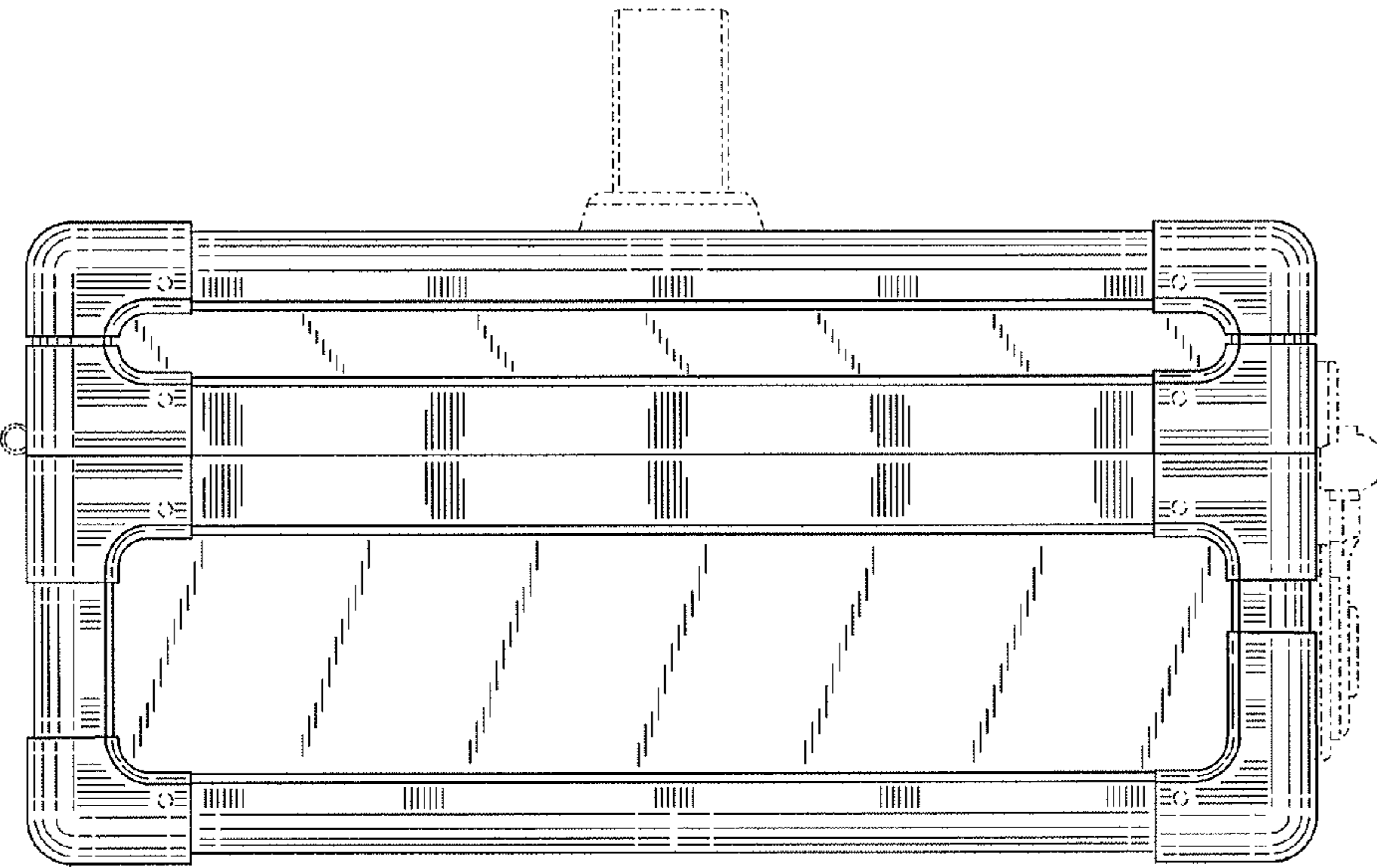


FIG.7

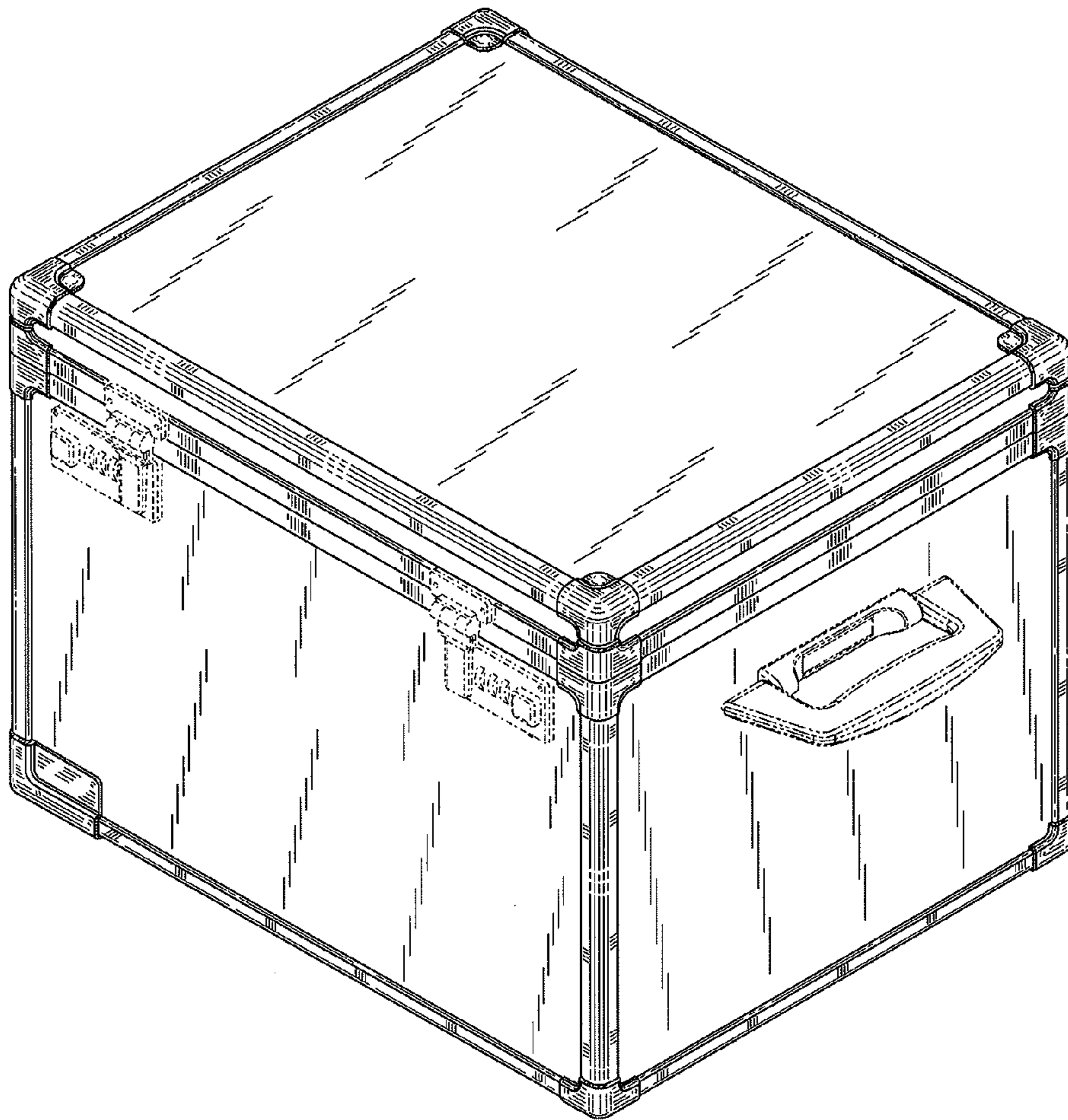


FIG. 8

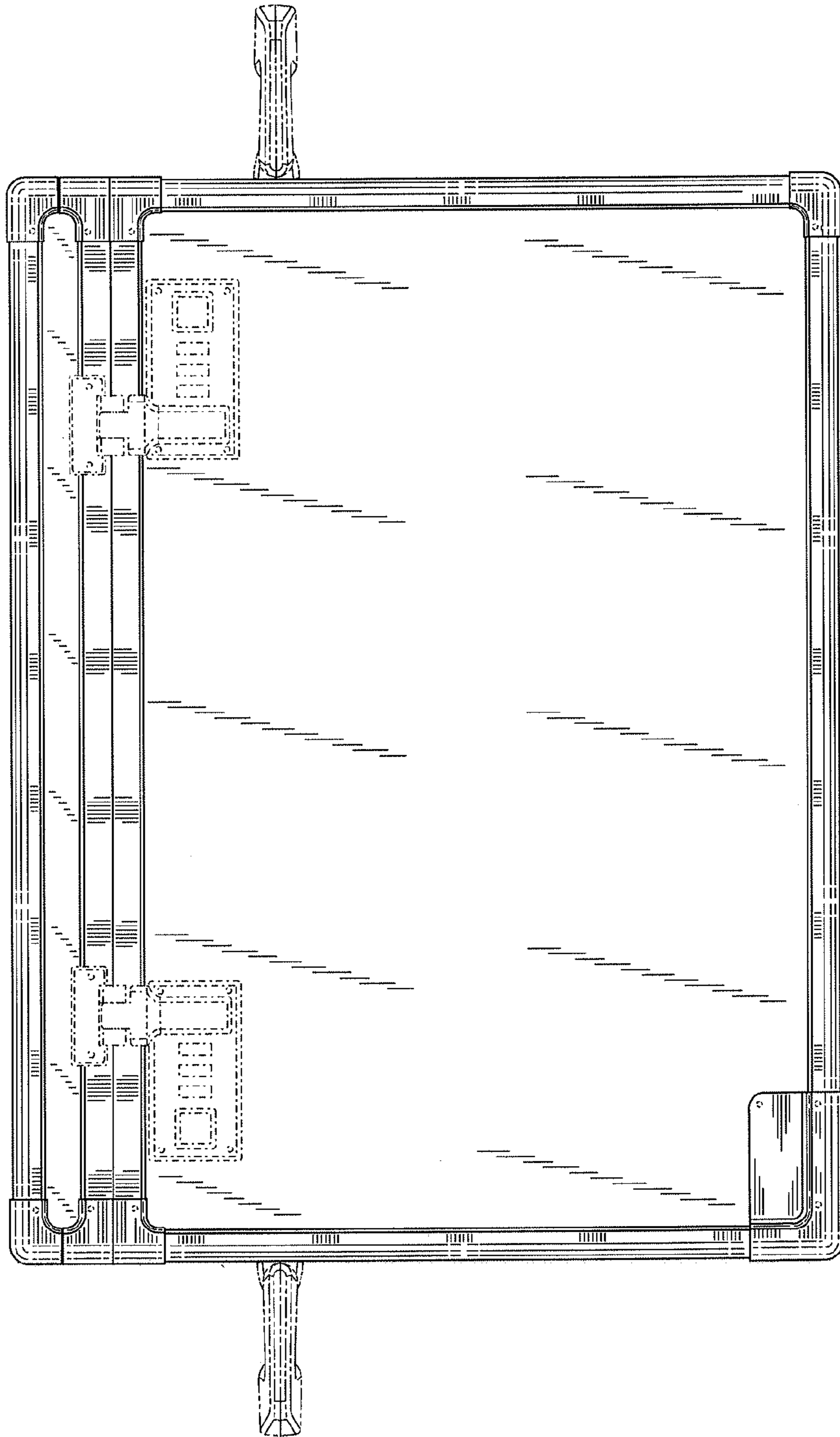


FIG. 9

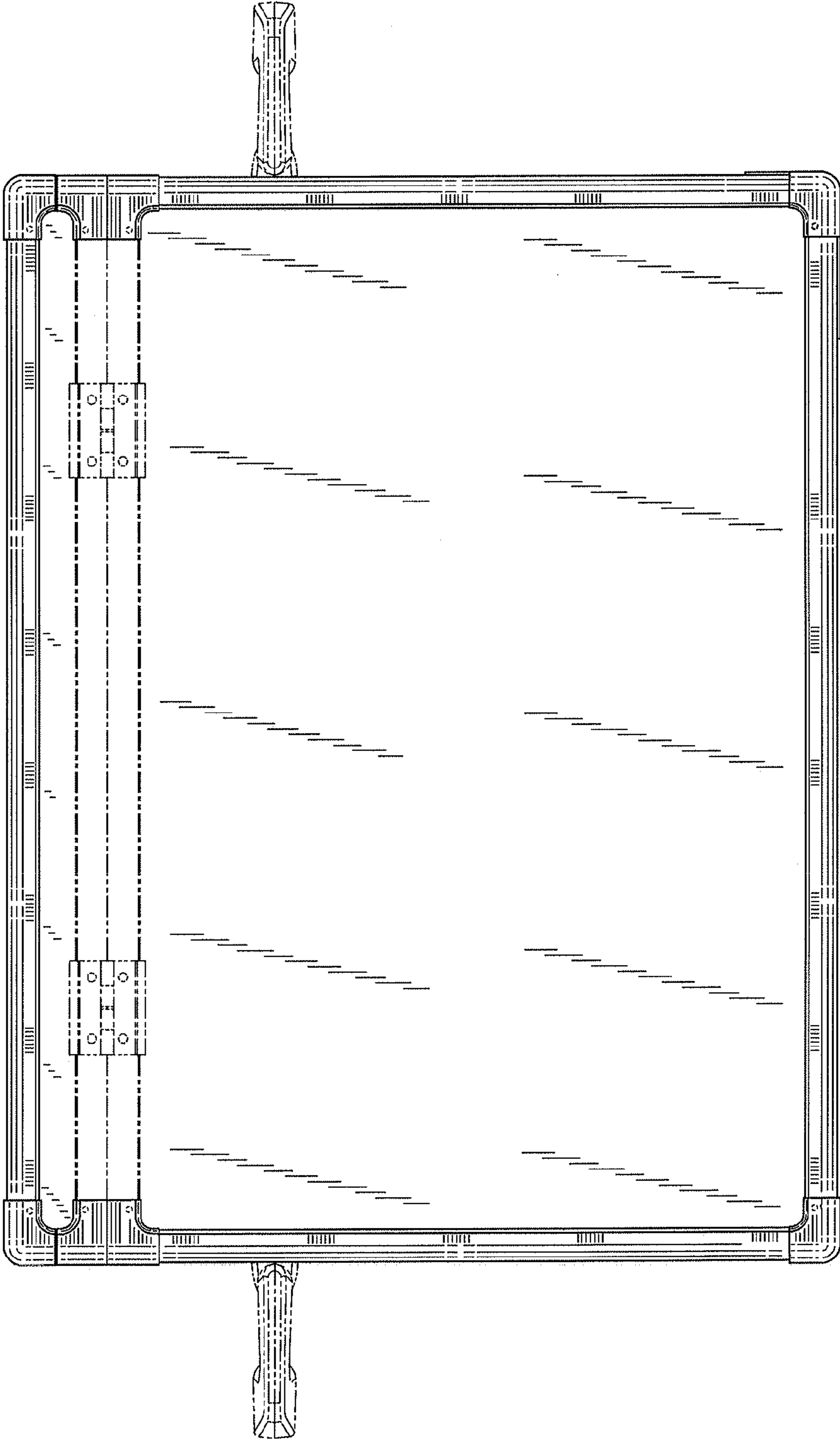


FIG.10



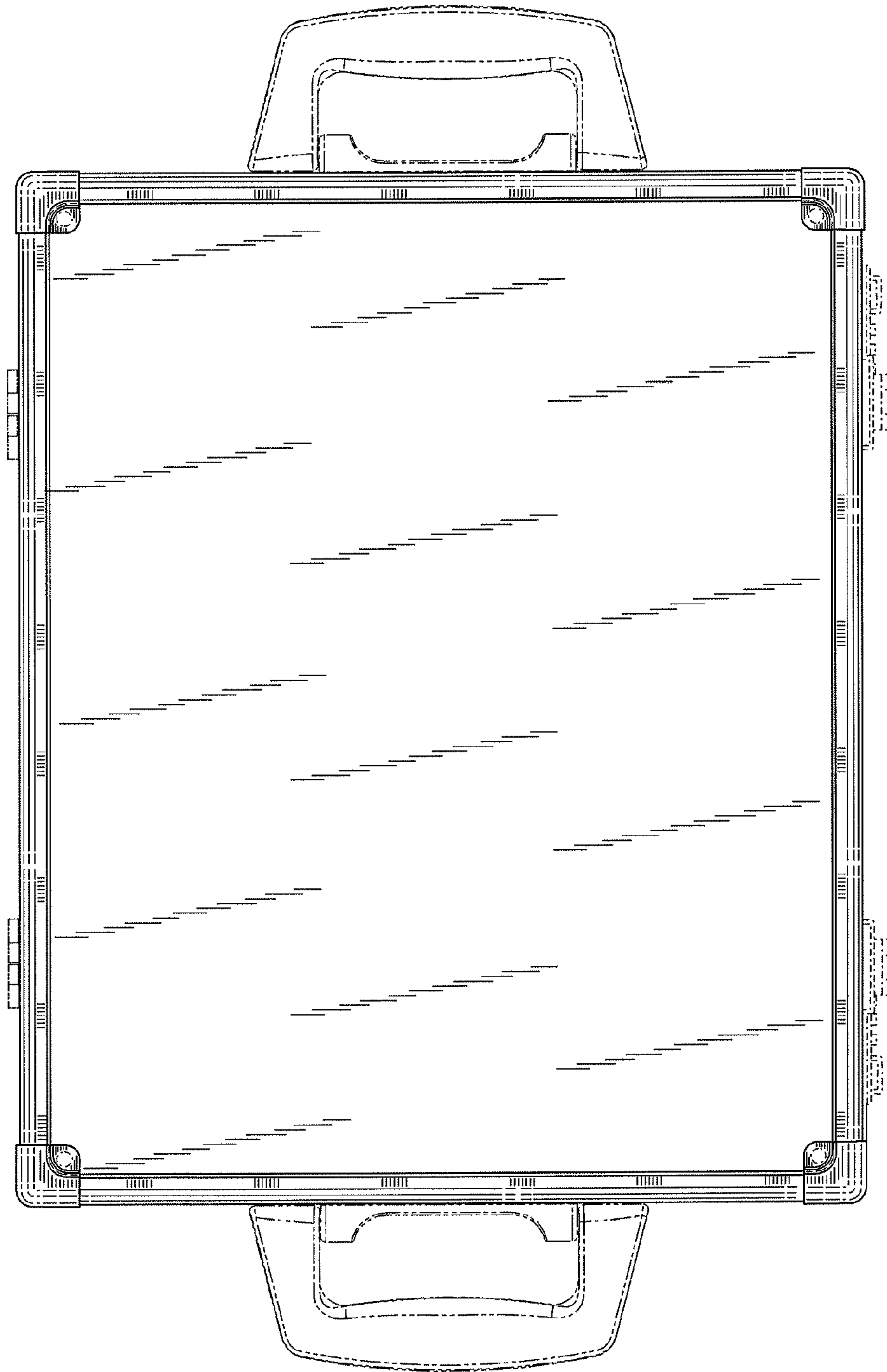


FIG.11

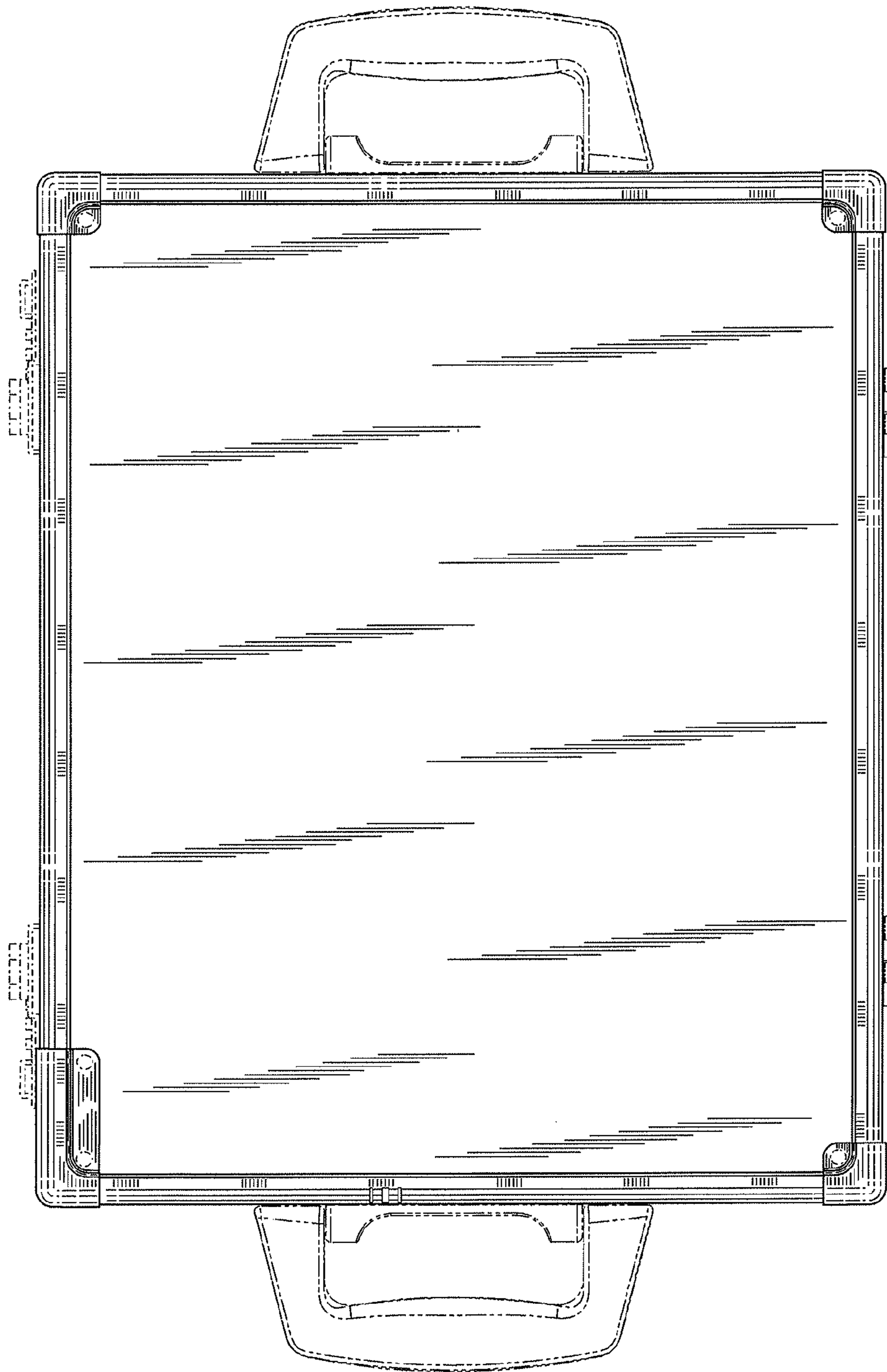


FIG.12

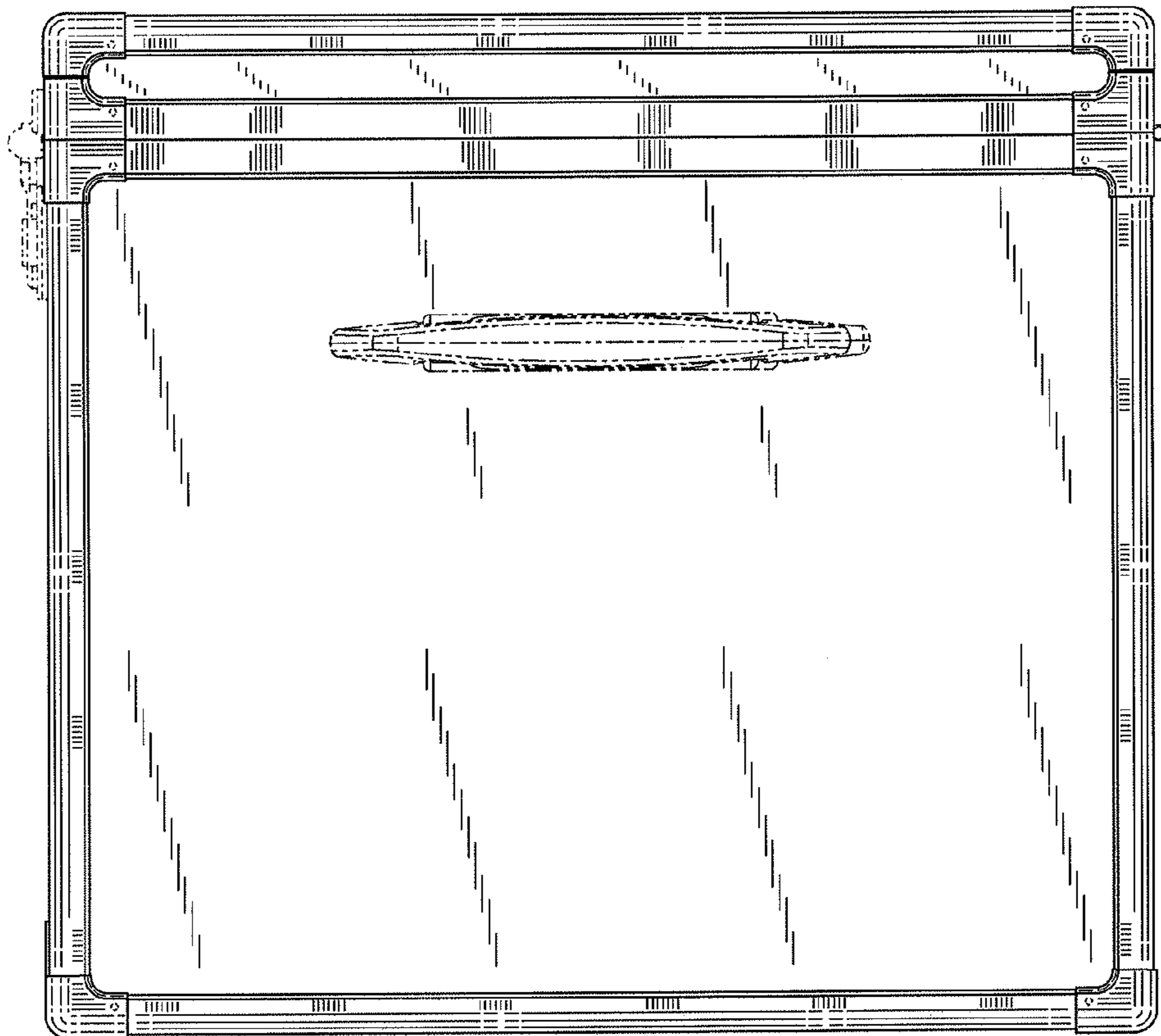


FIG. 13

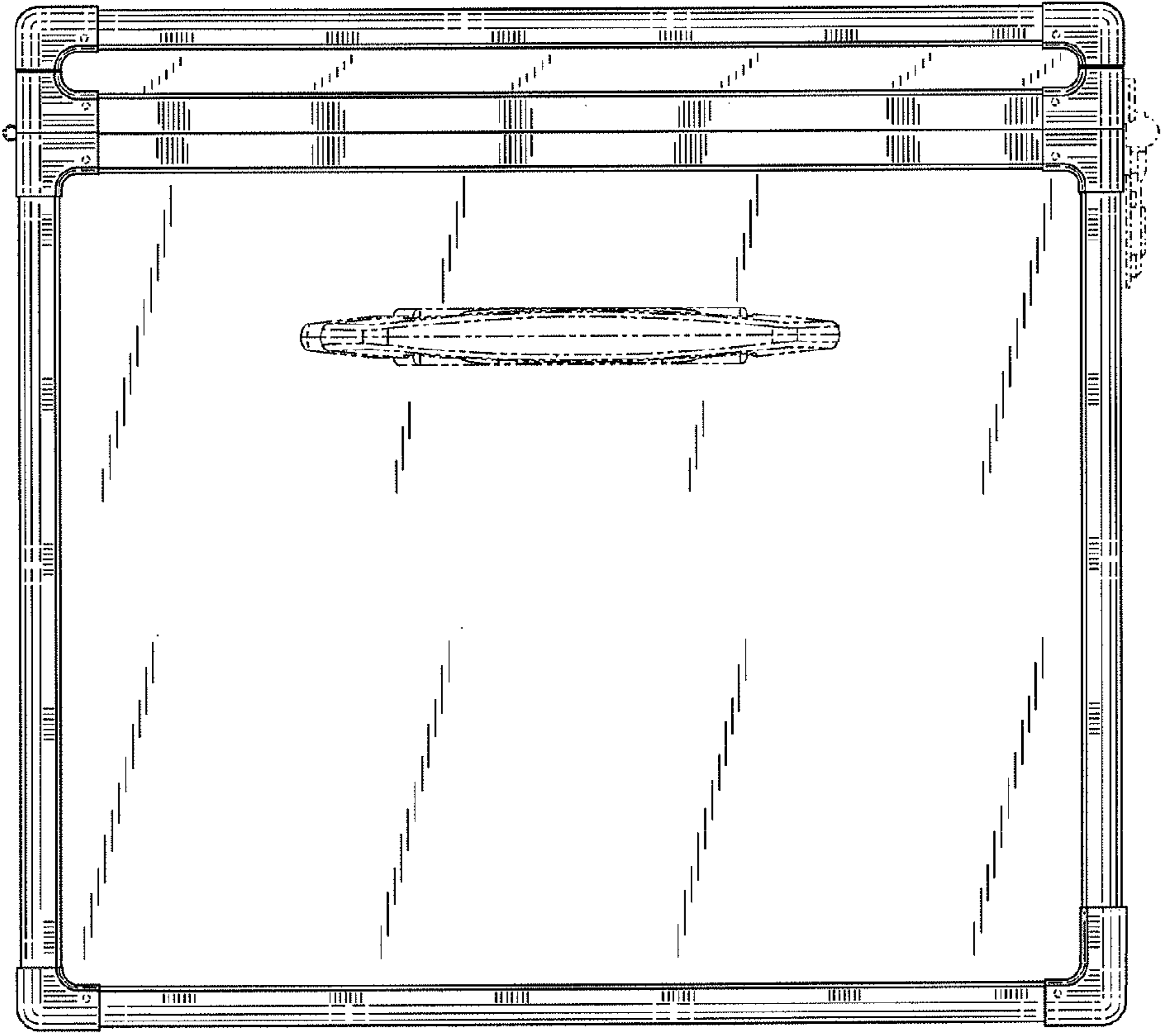


FIG.14