



US00D671742S

(12) **United States Design Patent**
Cenzano et al.

(10) **Patent No.:** **US D671,742 S**

(45) **Date of Patent:** **** Dec. 4, 2012**

(54) **STORAGE BOX**

(75) Inventors: **Lauren Cenzano**, East Northport, NY (US); **Doug Mudd**, O'Fallon, MO (US)

(73) Assignee: **Esselte Corporation**, Melville, NY (US)

(**) Term: **14 Years**

(21) Appl. No.: **29/384,488**

(22) Filed: **Jan. 31, 2011**

(51) **LOC (9) Cl.** **03-01**

(52) **U.S. Cl.** **D3/272; D3/294; D99/28**

(58) **Field of Classification Search** **D3/272, D3/273, 292, 294-297, 900, 276, 318, 321, D3/322, 323; 190/19, 23, 37, 40, 900; D99/28**
See application file for complete search history.

(56) **References Cited**

U.S. PATENT DOCUMENTS

D67,730 S * 6/1925 Wheary D3/272
(Continued)

Primary Examiner — Jennifer Rivard

(74) *Attorney, Agent, or Firm* — Dorsey & Whitney LLP

(57) **CLAIM**

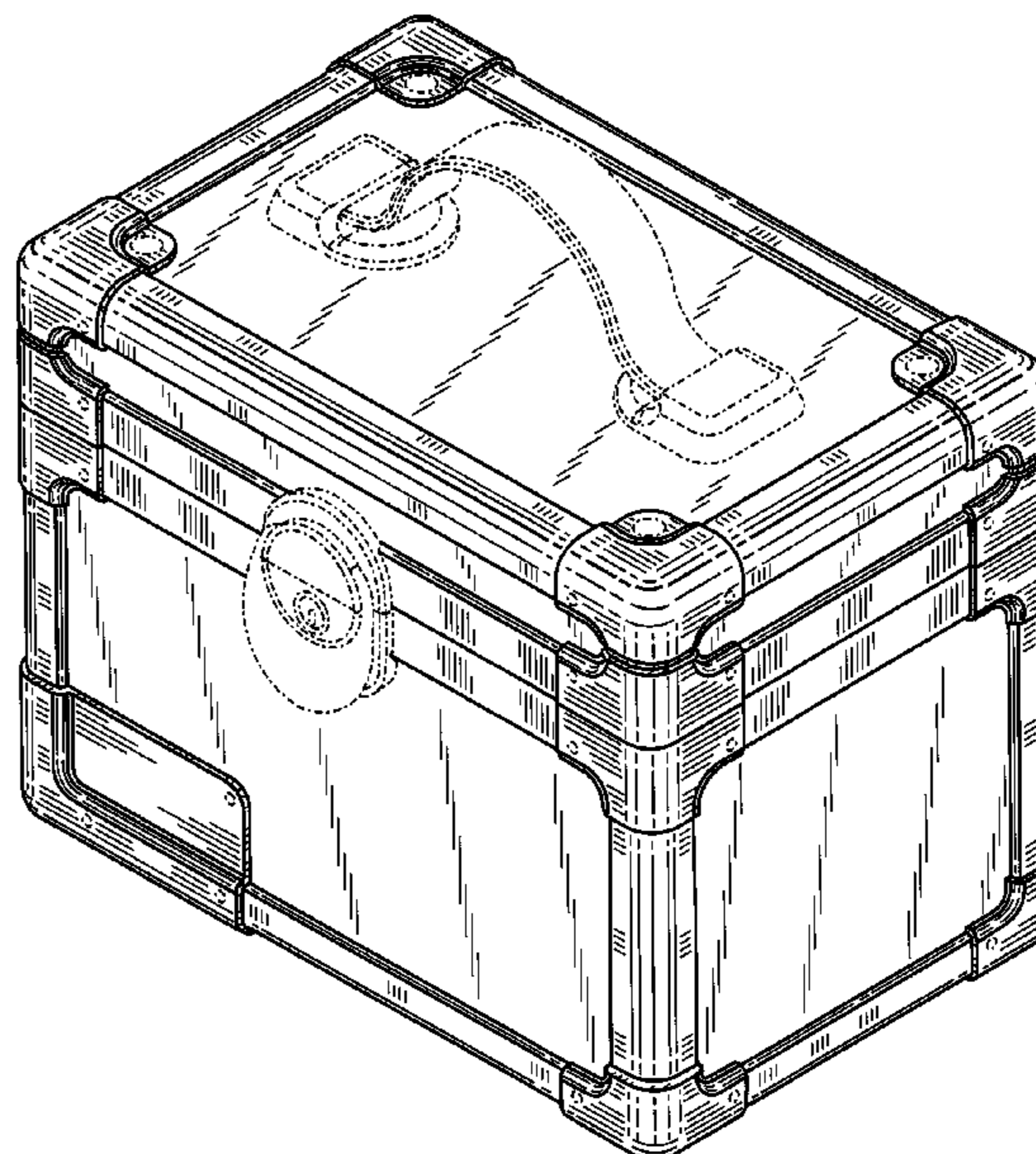
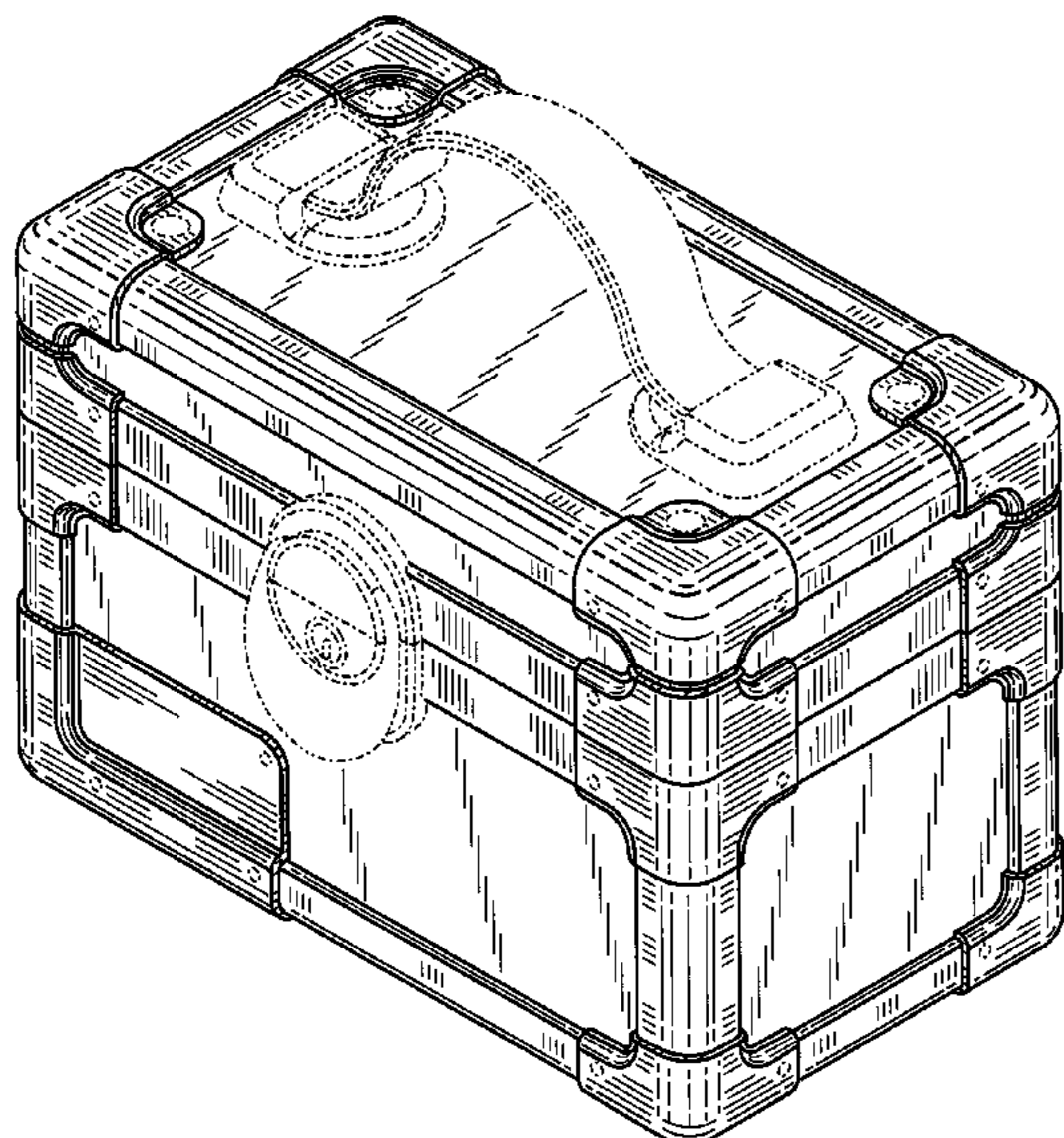
We claim the ornamental design for a storage box, as shown and described.

DESCRIPTION

FIG. 1 is a perspective view of an exemplary embodiment of a storage box;

FIG. 2 is a front view of the storage box shown in FIG. 1; FIG. 3 is a back view of the storage box shown in FIG. 1; FIG. 4 is a top view of the storage box shown in FIG. 1; FIG. 5 is a bottom view of the storage box shown in FIG. 1; FIG. 6 is a right side view of the storage box shown in FIG. 1; FIG. 7 is a left side view of the storage box shown in FIG. 1; FIG. 8 is a perspective view of another exemplary embodiment of a storage box; FIG. 9 is a front view of the storage box shown in FIG. 8; FIG. 10 is a back view of the storage box shown in FIG. 8; FIG. 11 is a top view of the storage box shown in FIG. 8; FIG. 12 is a bottom view of the storage box shown in FIG. 8; FIG. 13 is a right side view of the storage box shown in FIG. 8; FIG. 14 is a left side view of the storage box shown in FIG. 8; FIG. 15 is a perspective view of another exemplary embodiment of a storage box; FIG. 16 is a front view of the storage box shown in FIG. 15; FIG. 17 is a back view of the storage box shown in FIG. 15; FIG. 18 is a top view of the storage box shown in FIG. 15; FIG. 19 is a bottom view of the storage box shown in FIG. 15; FIG. 20 is a right side view of the storage box shown in FIG. 15; FIG. 21 is a left side view of the storage box shown in FIG. 15; FIG. 22 is a perspective view of another exemplary embodiment of a storage box; FIG. 23 is a front view of the storage box shown in FIG. 22; FIG. 24 is a back view of the storage box shown in FIG. 22; FIG. 25 is a top view of the storage box shown in FIG. 22; FIG. 26 is a bottom view of the storage box shown in FIG. 22; FIG. 27 is a right side view of the storage box shown in FIG. 22; and, FIG. 28 is a left side view of the storage box shown in FIG. 22. The broken lines shown in the drawings illustrate portions of the article and form no part of the claimed design.

1 Claim, 28 Drawing Sheets



US D671,742 S

Page 2

U.S. PATENT DOCUMENTS

2,626,025	A *	1/1953	Sherman	190/37	D503,503	S *	3/2005	Perella et al.	D99/28
D247,993	S *	5/1978	Calzone, III	D3/204	D509,357	S *	9/2005	Perella et al.	D3/267
D288,863	S *	3/1987	Vuitton	D3/289	D511,035	S *	10/2005	Perella et al.	D99/28
4,744,445	A *	5/1988	Anderson et al.	190/107	D529,287	S *	10/2006	Perella et al.	D3/294
4,813,542	A *	3/1989	Thompson et al.	206/504	D562,048	S *	2/2008	Perella et al.	D3/272
D415,614	S *	10/1999	Akaike et al.	D3/276	D574,655	S *	8/2008	Perella et al.	D3/294
D419,766	S *	2/2000	Rekuc	D3/272	D578,819	S *	10/2008	Perella et al.	D3/294
D493,936	S *	8/2004	Perella et al.	D99/28	D579,174	S *	10/2008	Decarlo et al.	D99/28
D496,791	S *	10/2004	Perella et al.	D3/267	D596,399	S *	7/2009	Decarlo et al.	D3/291
D498,049	S *	11/2004	Perella et al.	D3/273	D619,810	S *	7/2010	Huang	D3/276
D499,883	S *	12/2004	Perella et al.	D3/276	D625,517	S *	10/2010	Rossi et al.	D3/272
D500,922	S *	1/2005	Perella et al.	D3/273	D643,213	S *	8/2011	Hsiao et al.	D3/272
D501,083	S *	1/2005	Perella et al.	D3/276	D643,623	S *	8/2011	Chin et al.	D3/272
D501,720	S *	2/2005	Hussaini et al.	D3/273	2004/0188205	A1 *	9/2004	Badaan	190/124
D503,024	S *	3/2005	Perella et al.	D99/28					

* cited by examiner

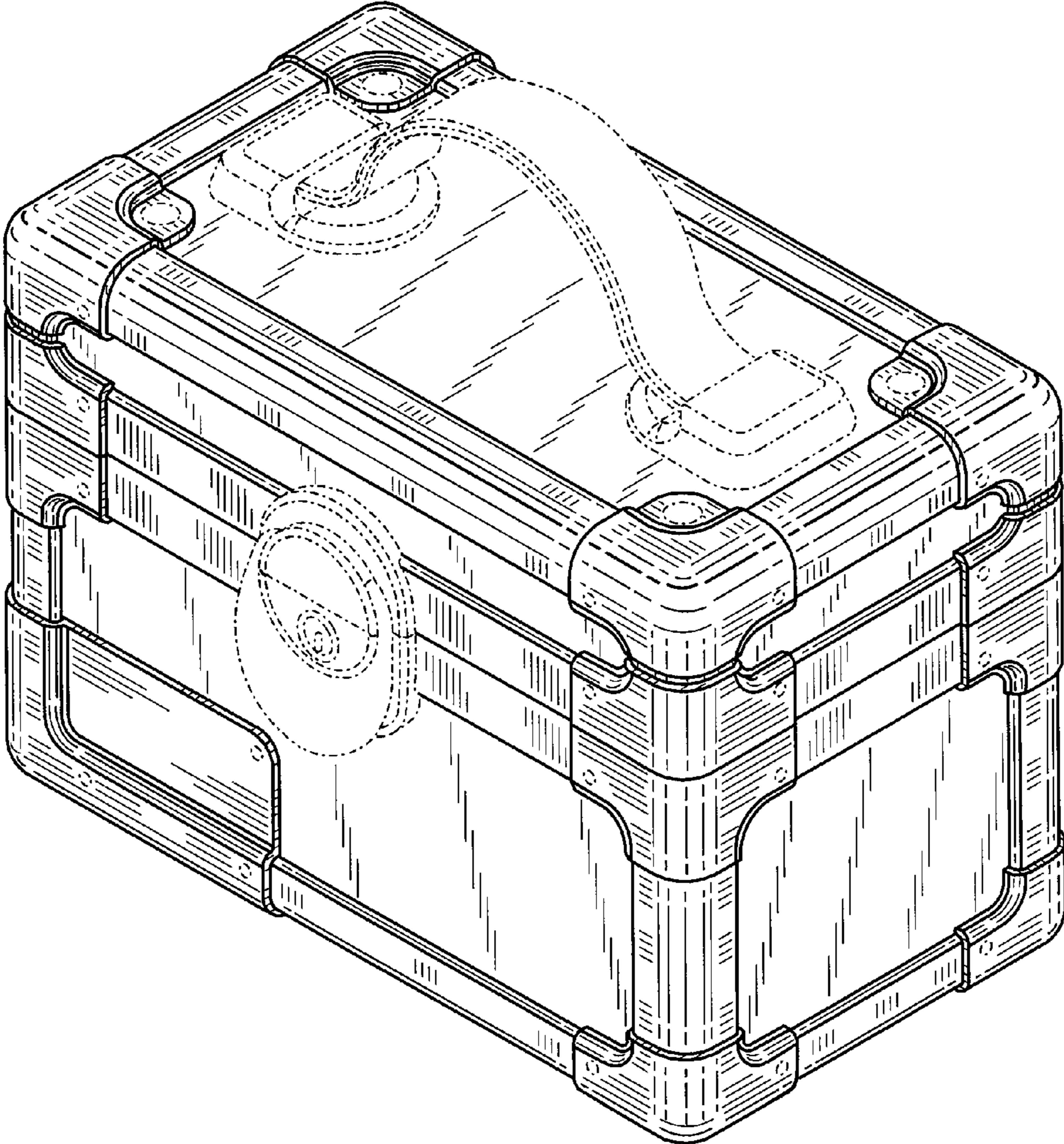


FIG. 1

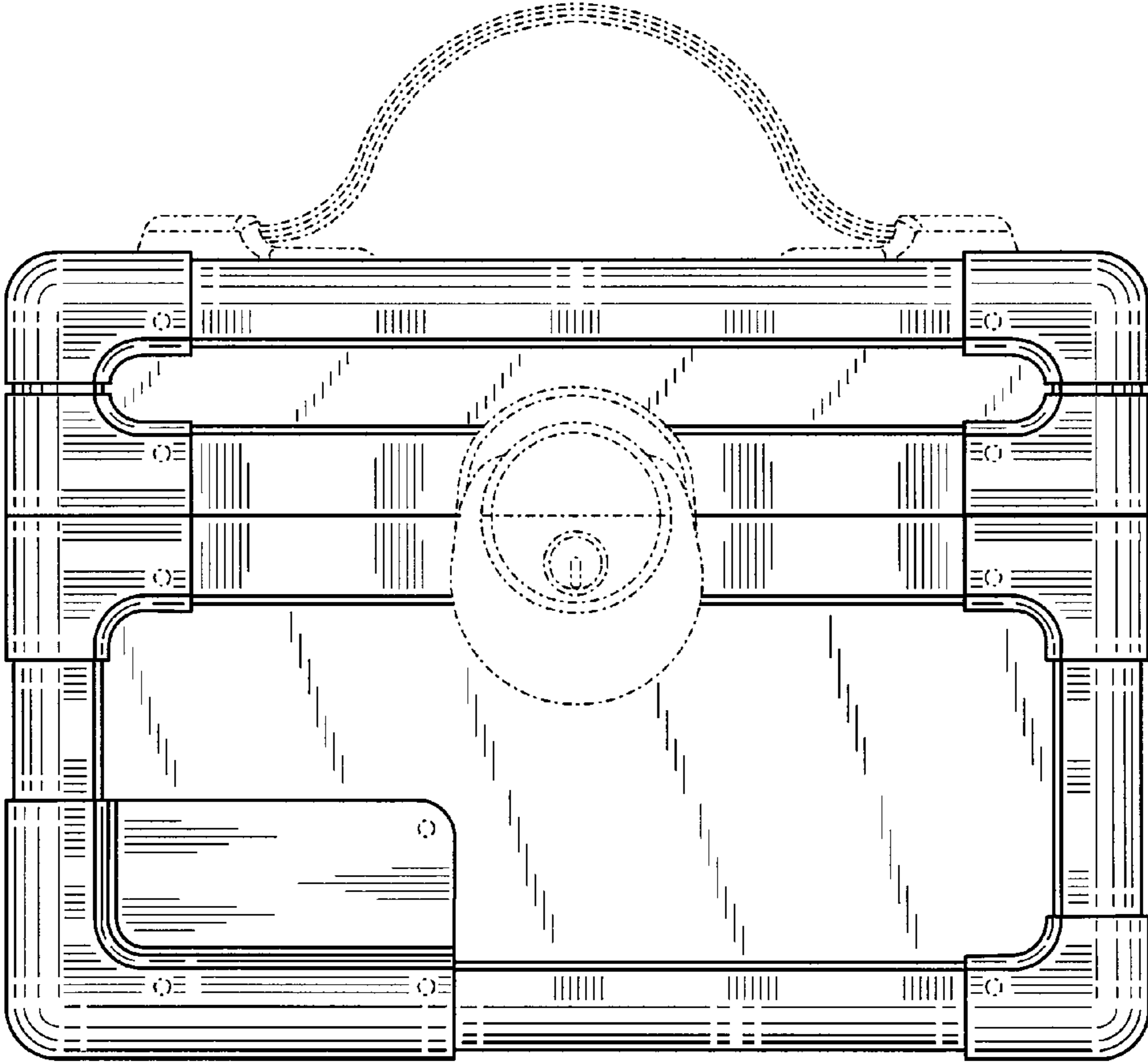


FIG. 2

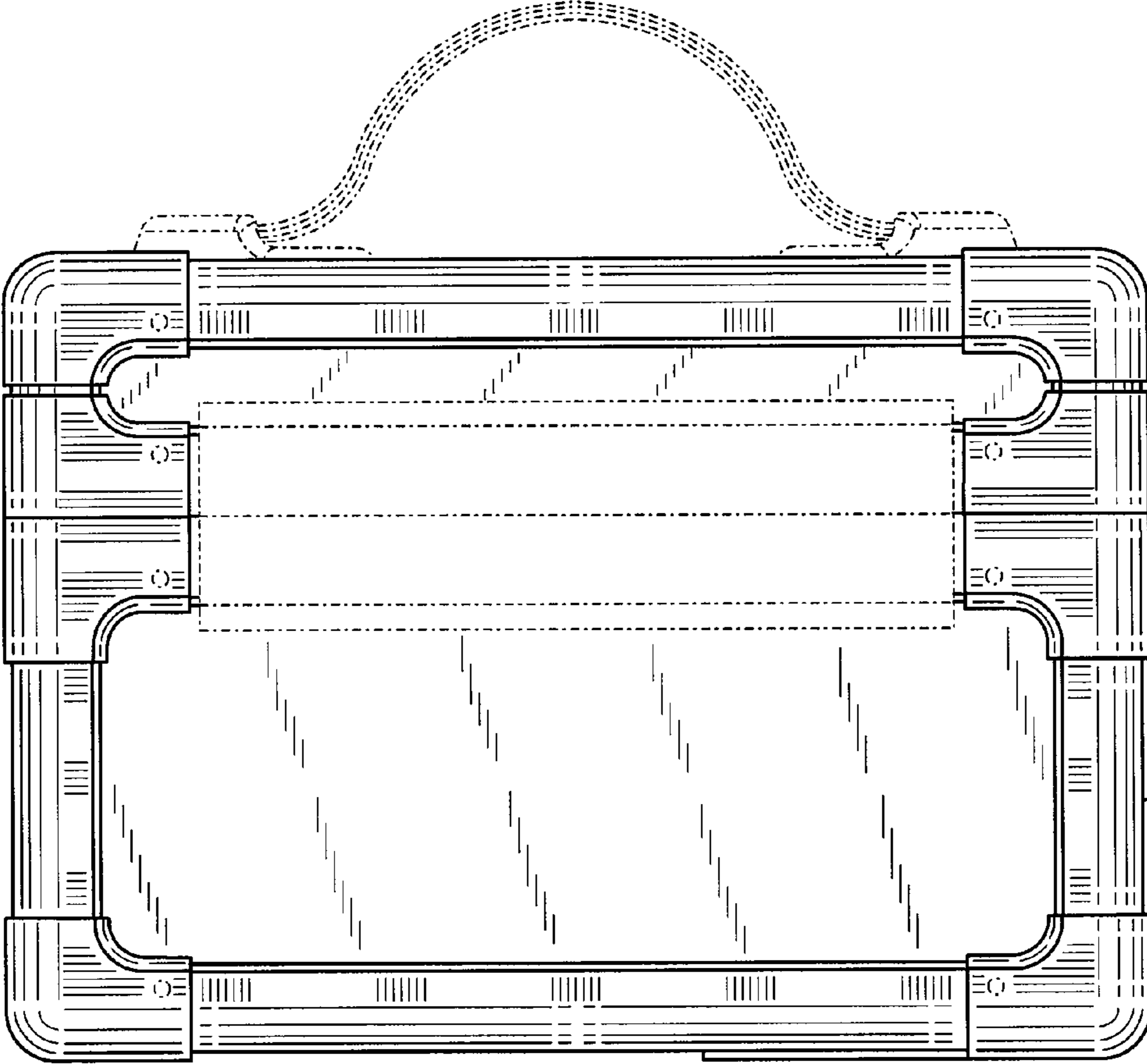


FIG. 3

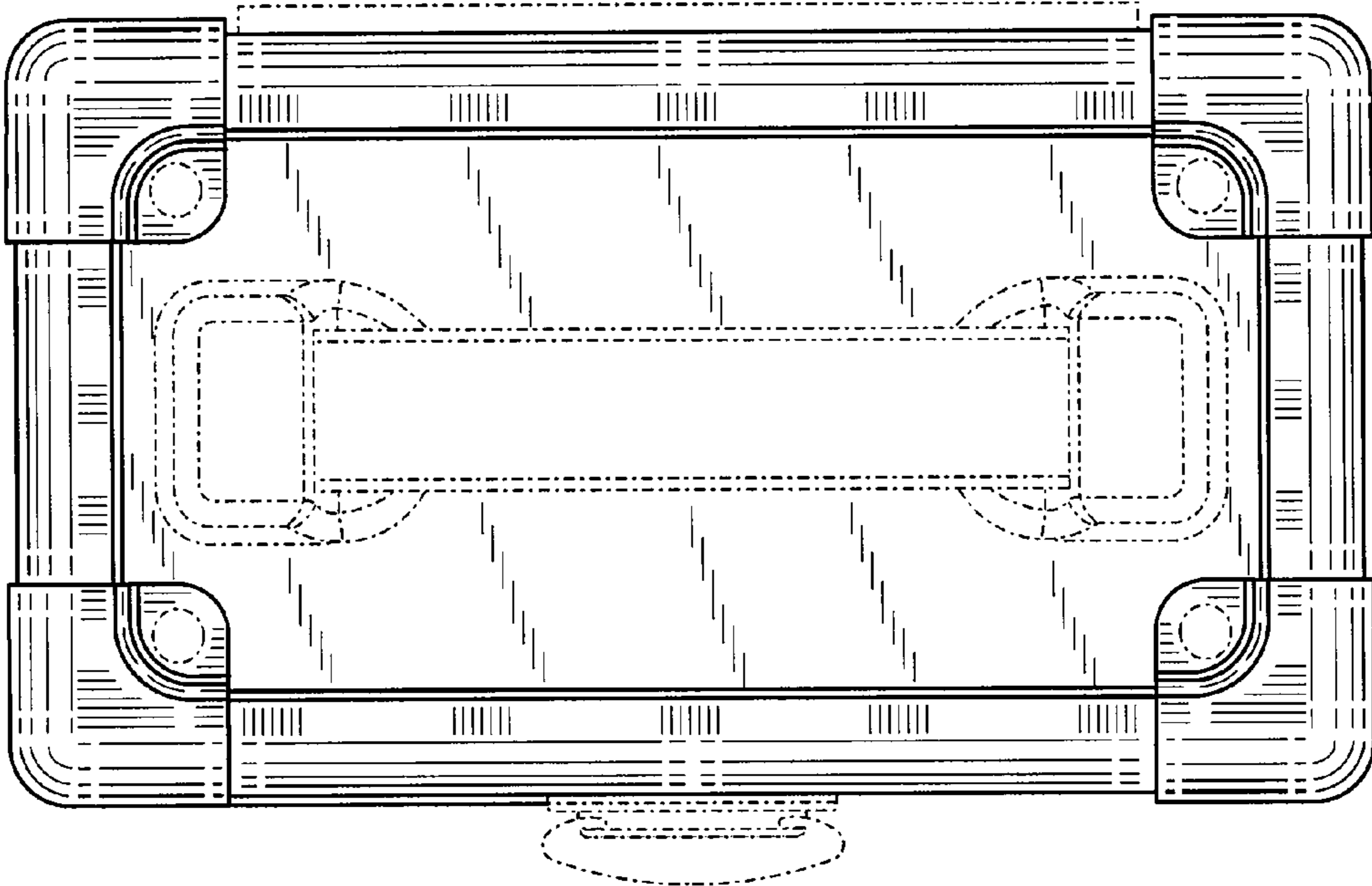


FIG. 4

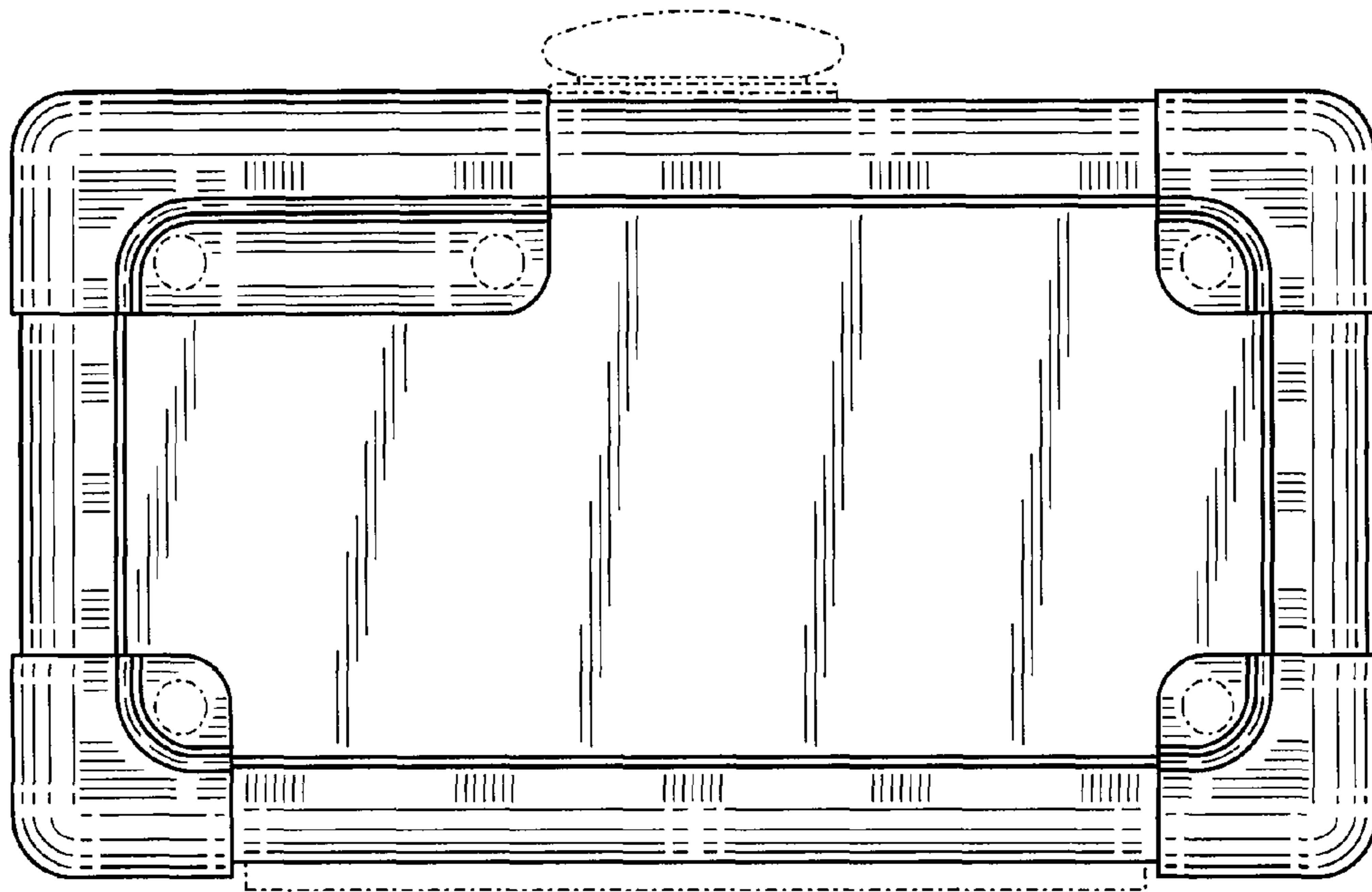


FIG. 5

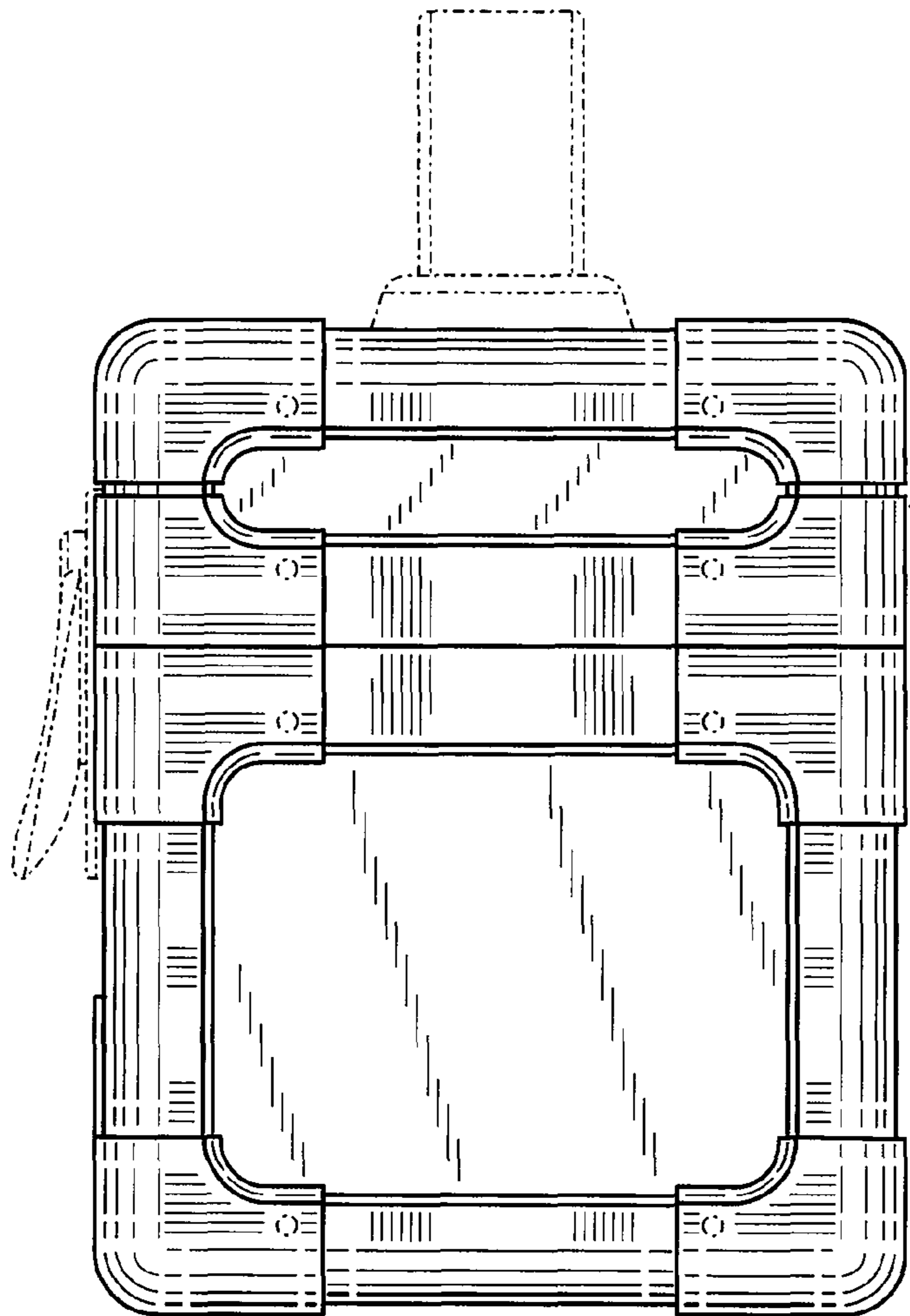


FIG. 6

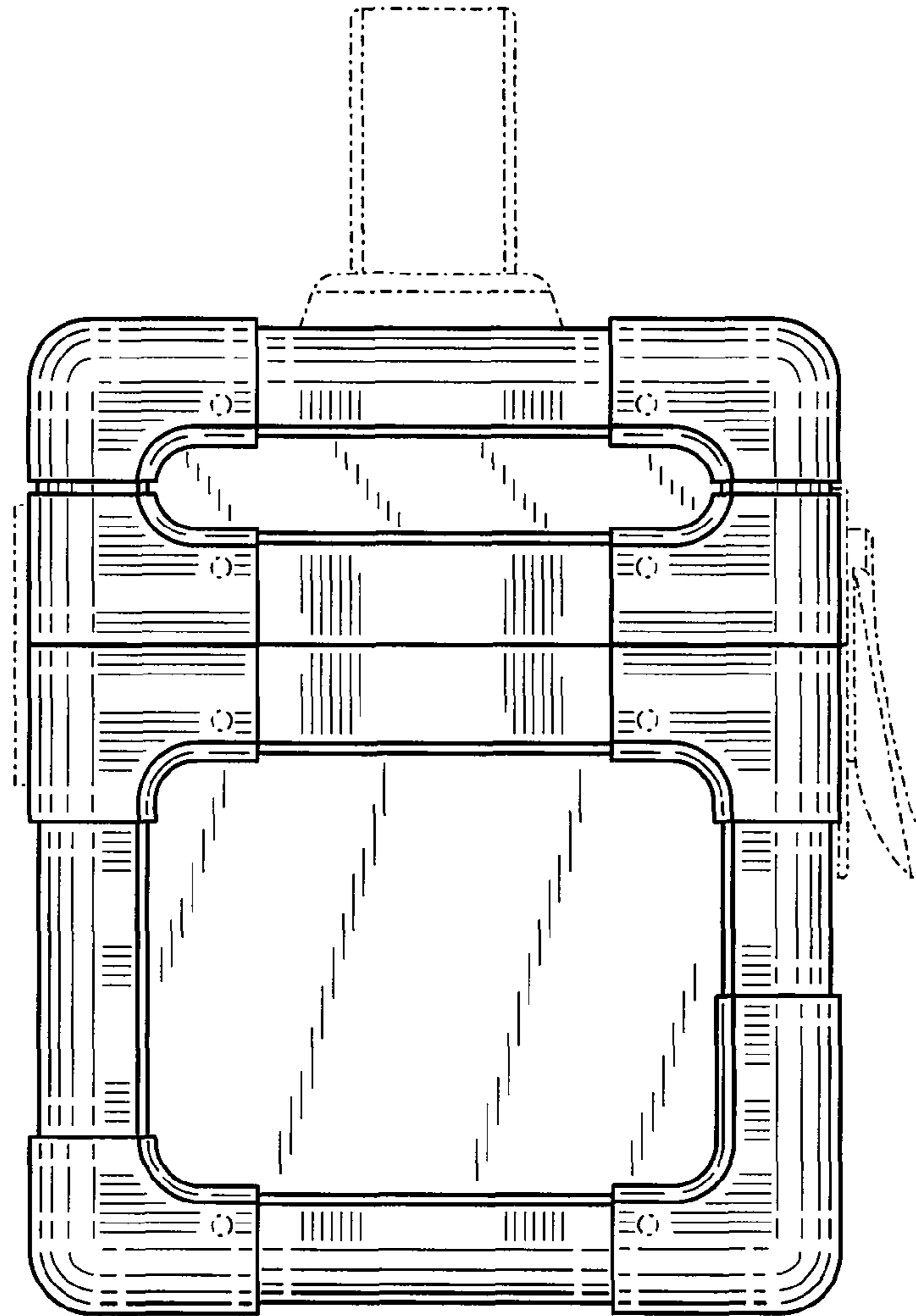


FIG. 7

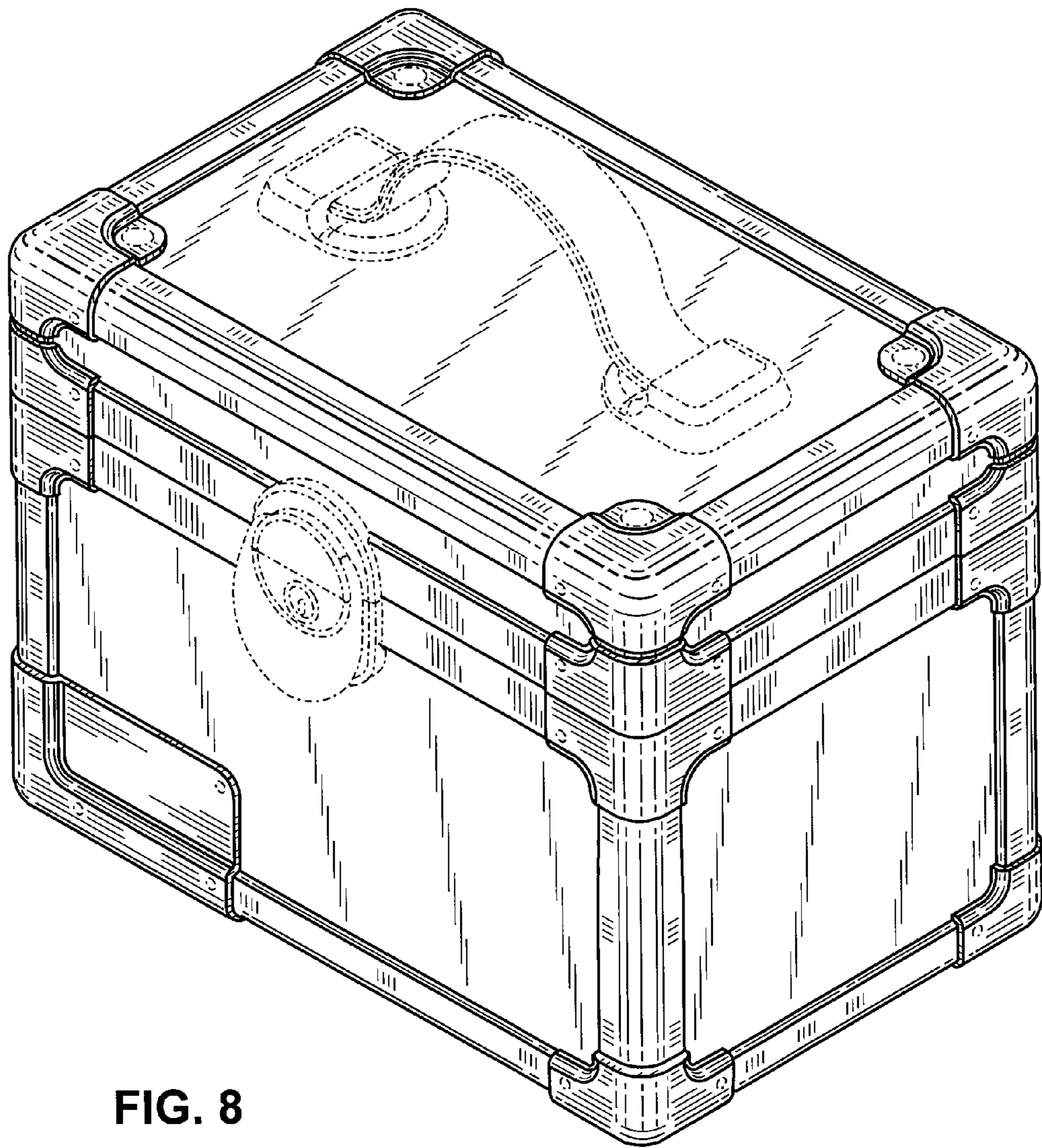


FIG. 8

FIG. 9

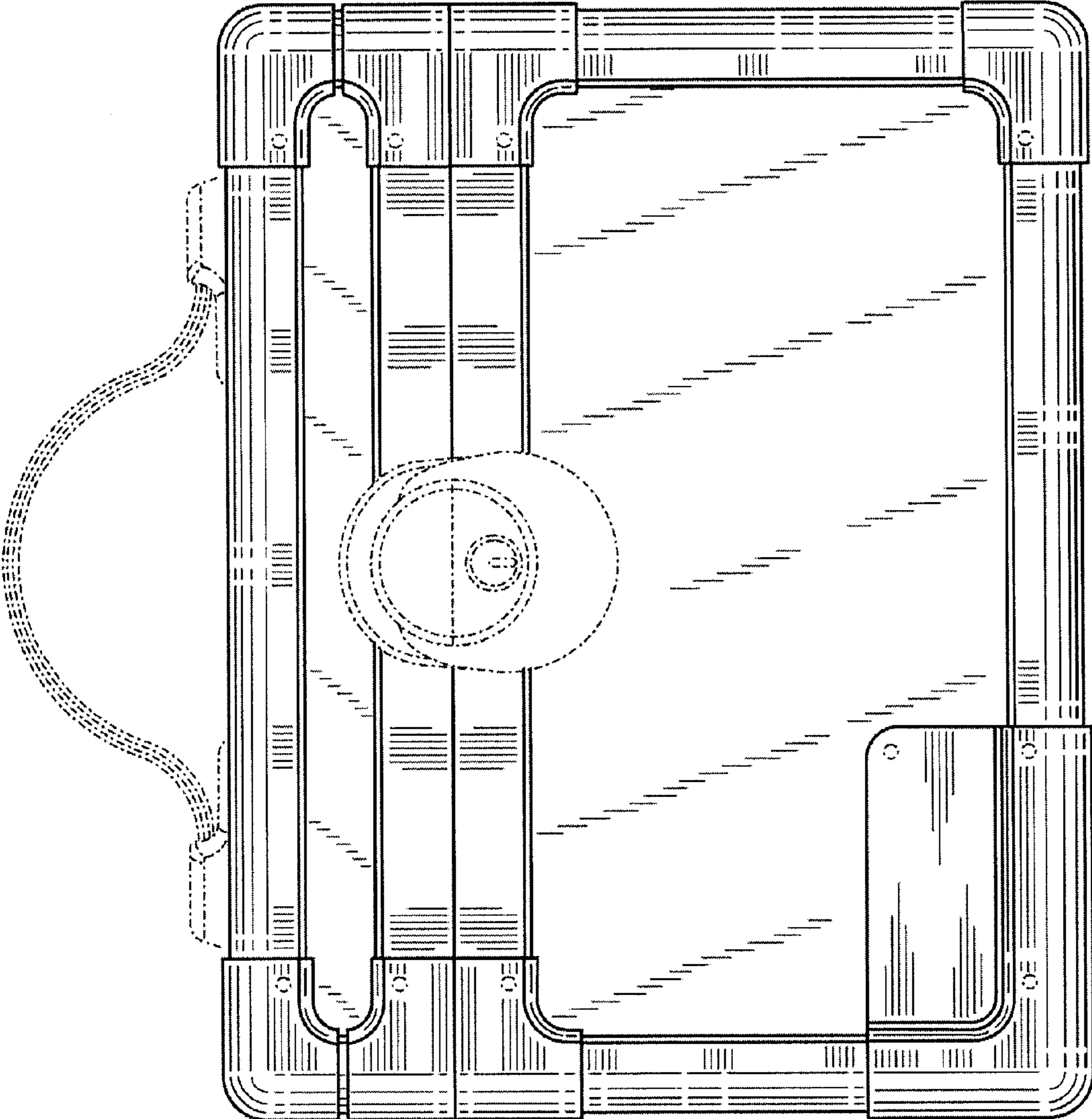


FIG. 10

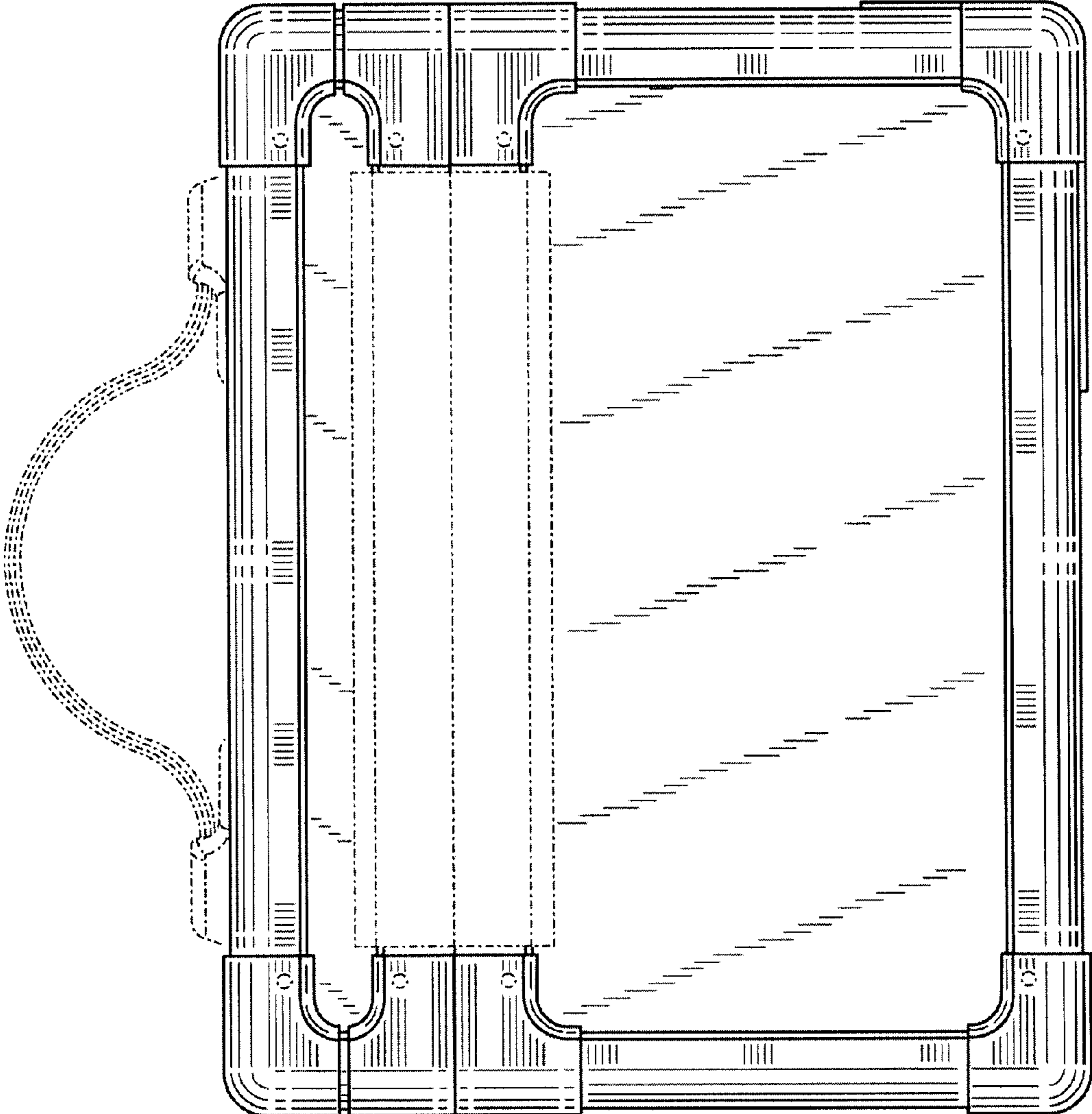


FIG. 11

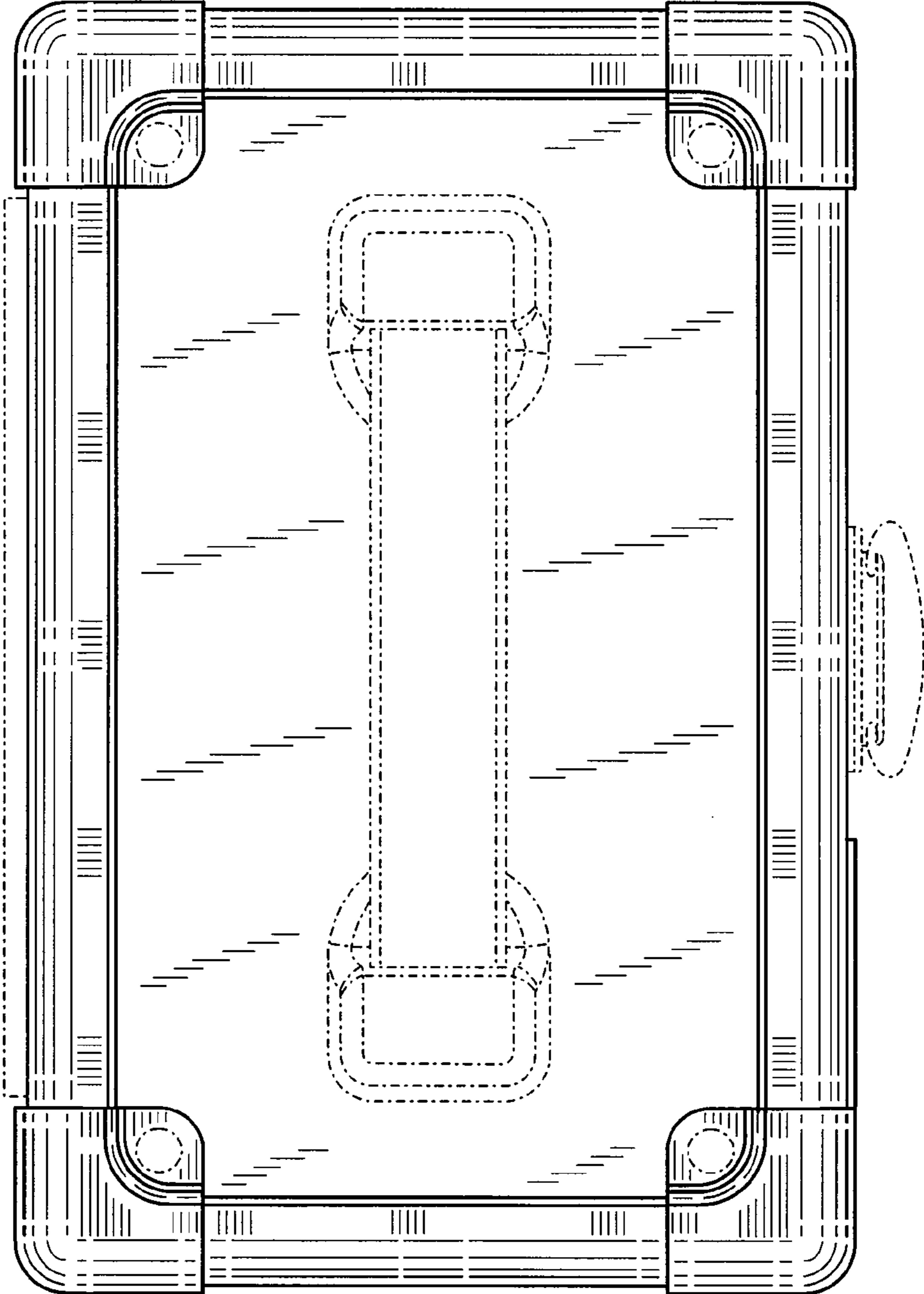
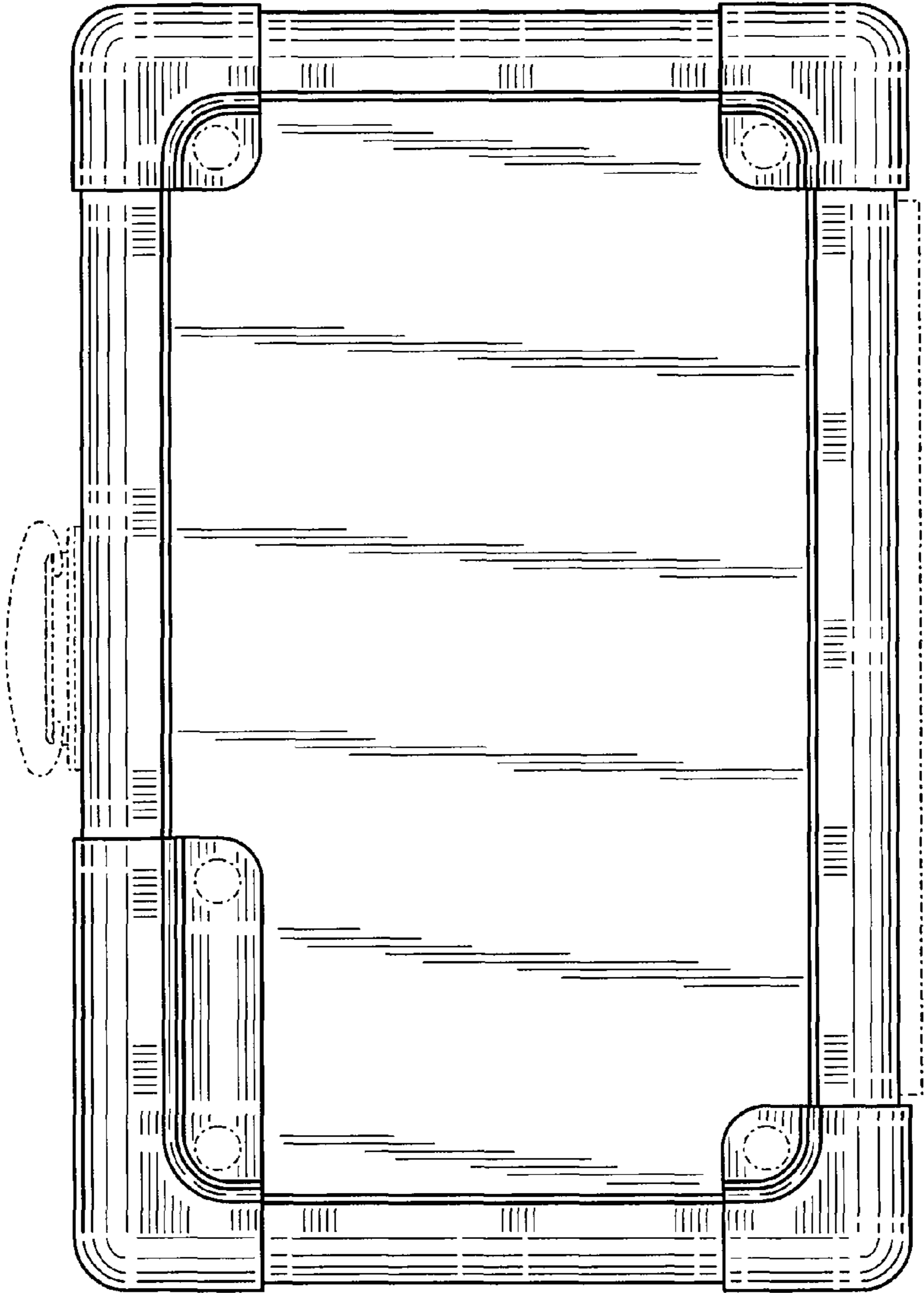


FIG. 12



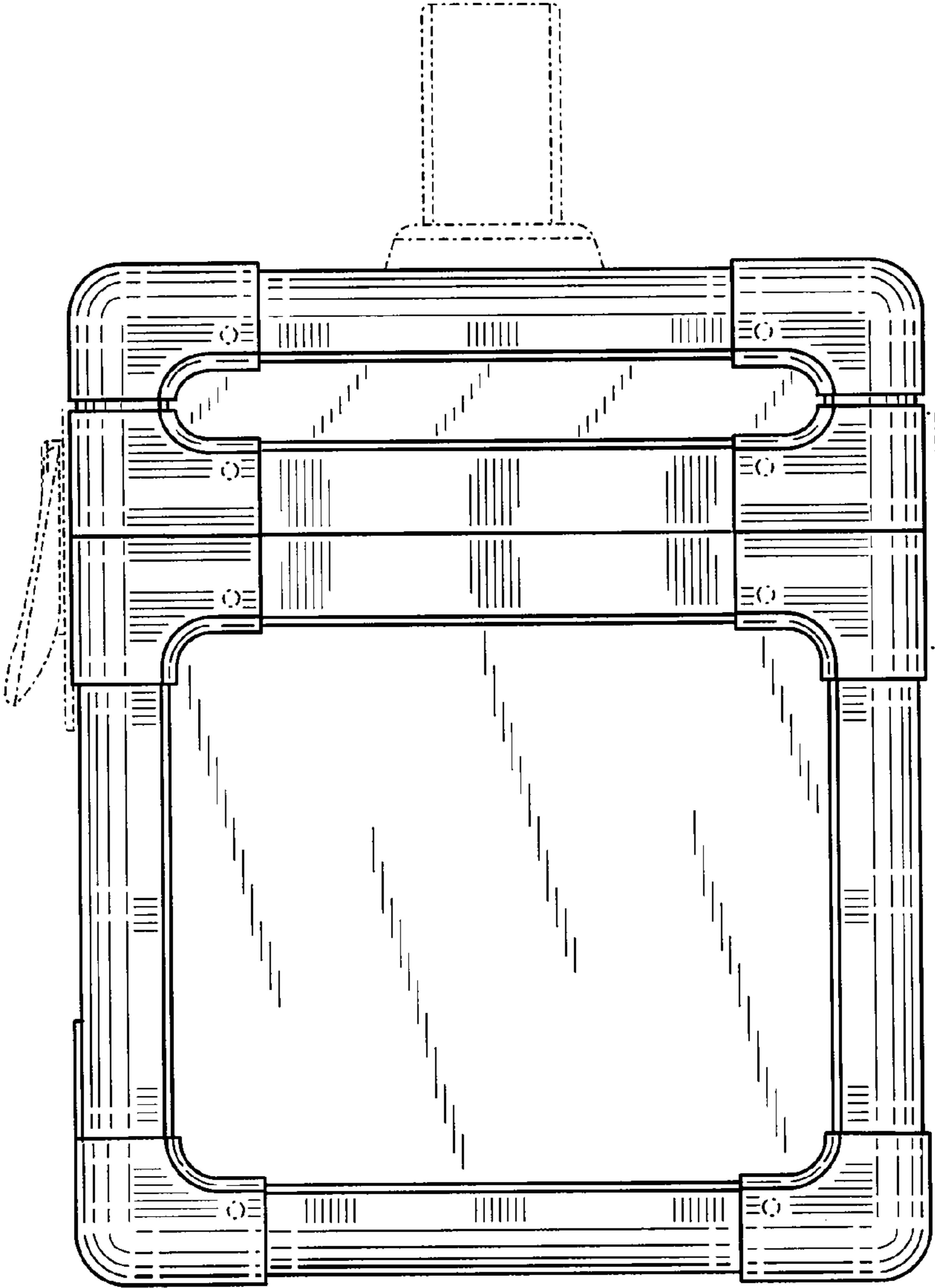


FIG. 13

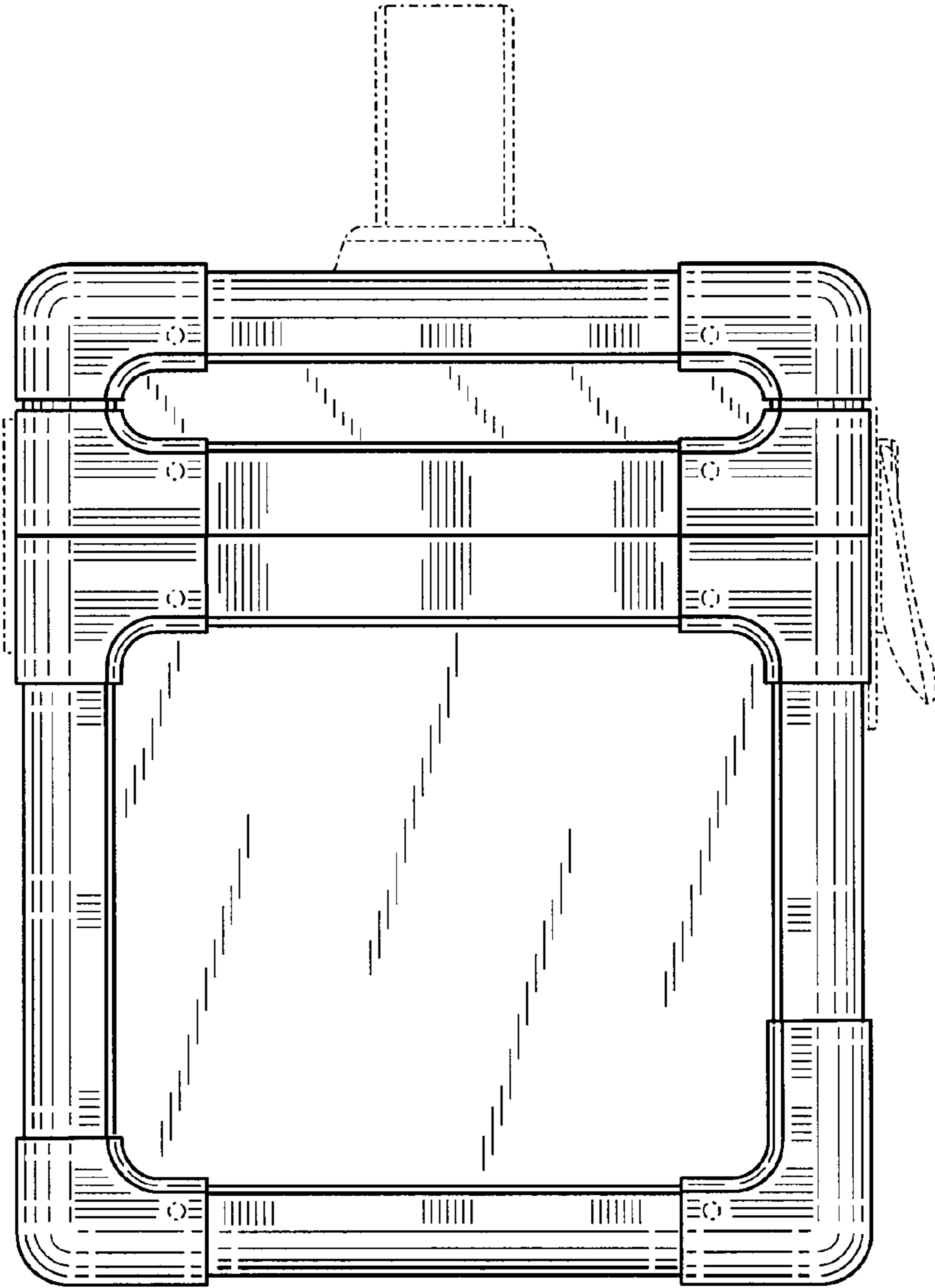


FIG. 14

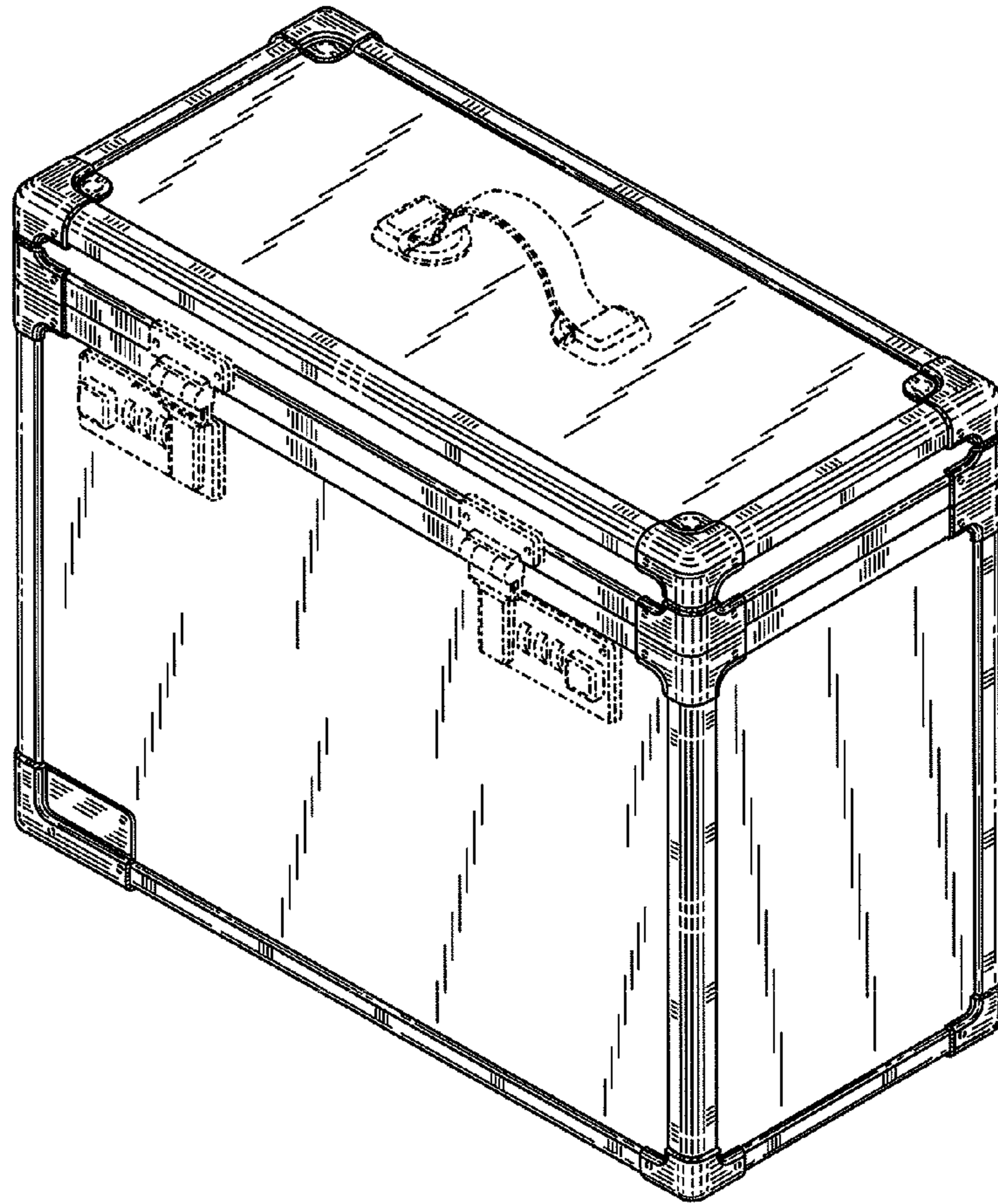


FIG. 15

FIG. 16

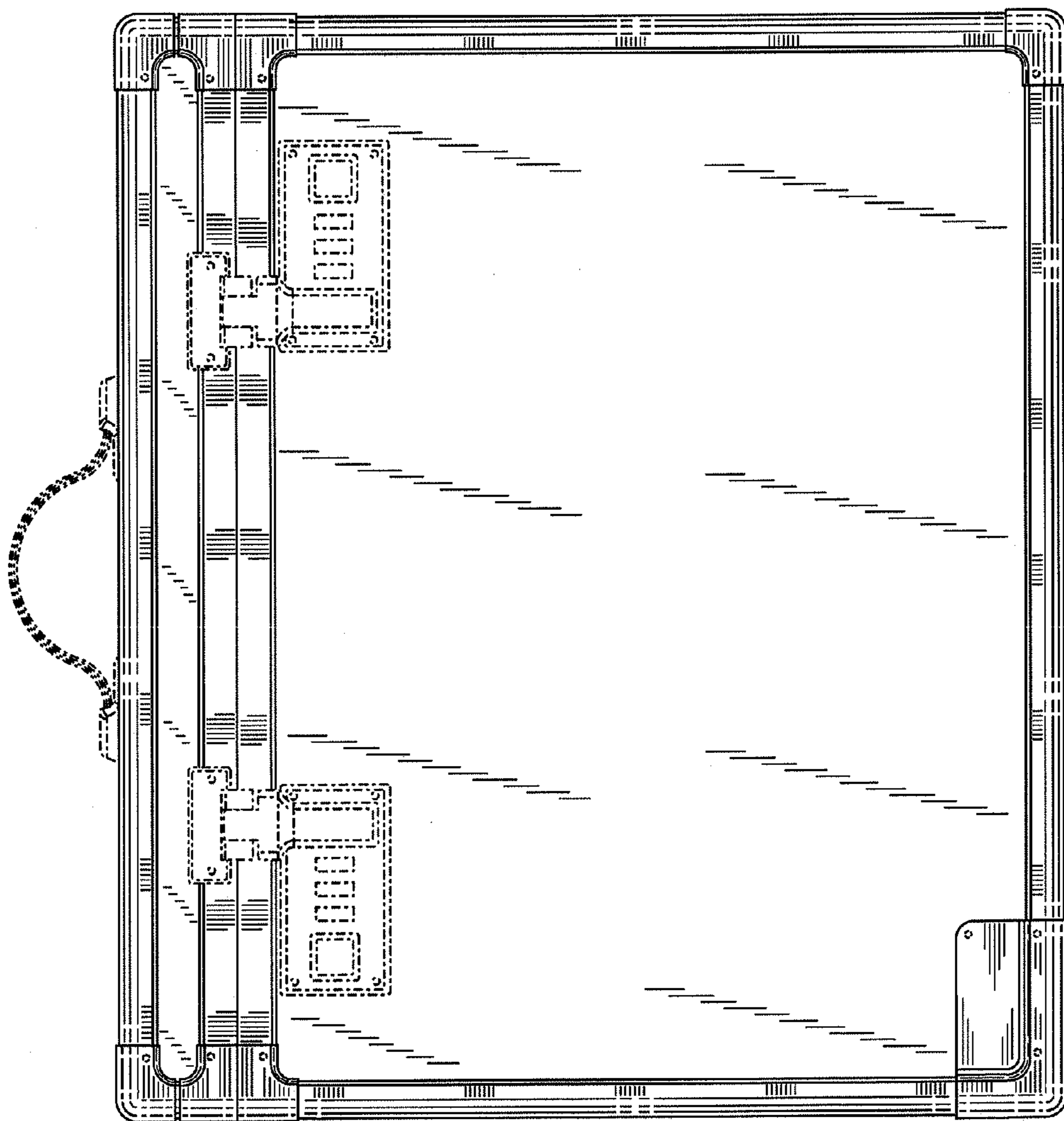


FIG. 17

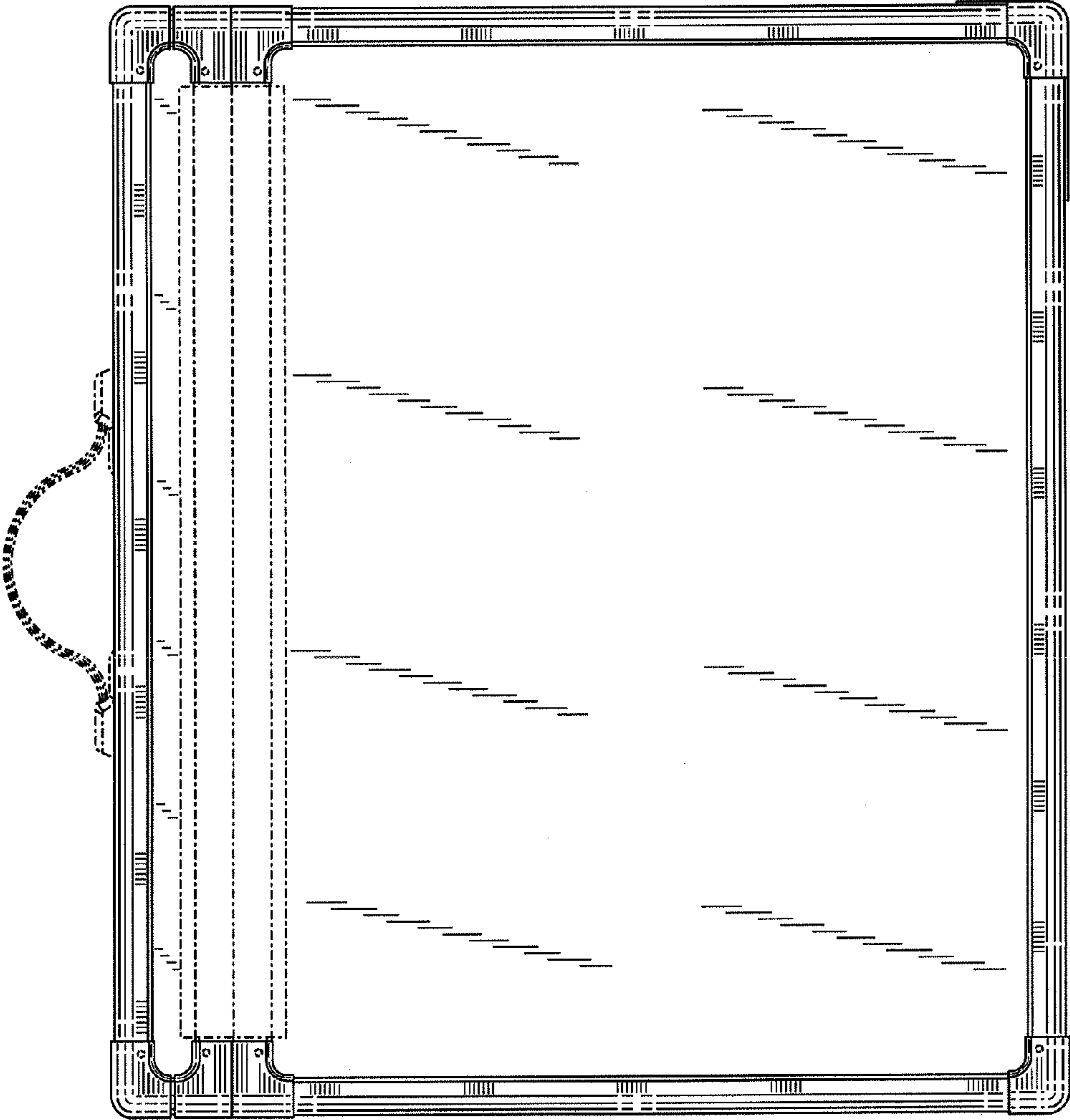


FIG. 18

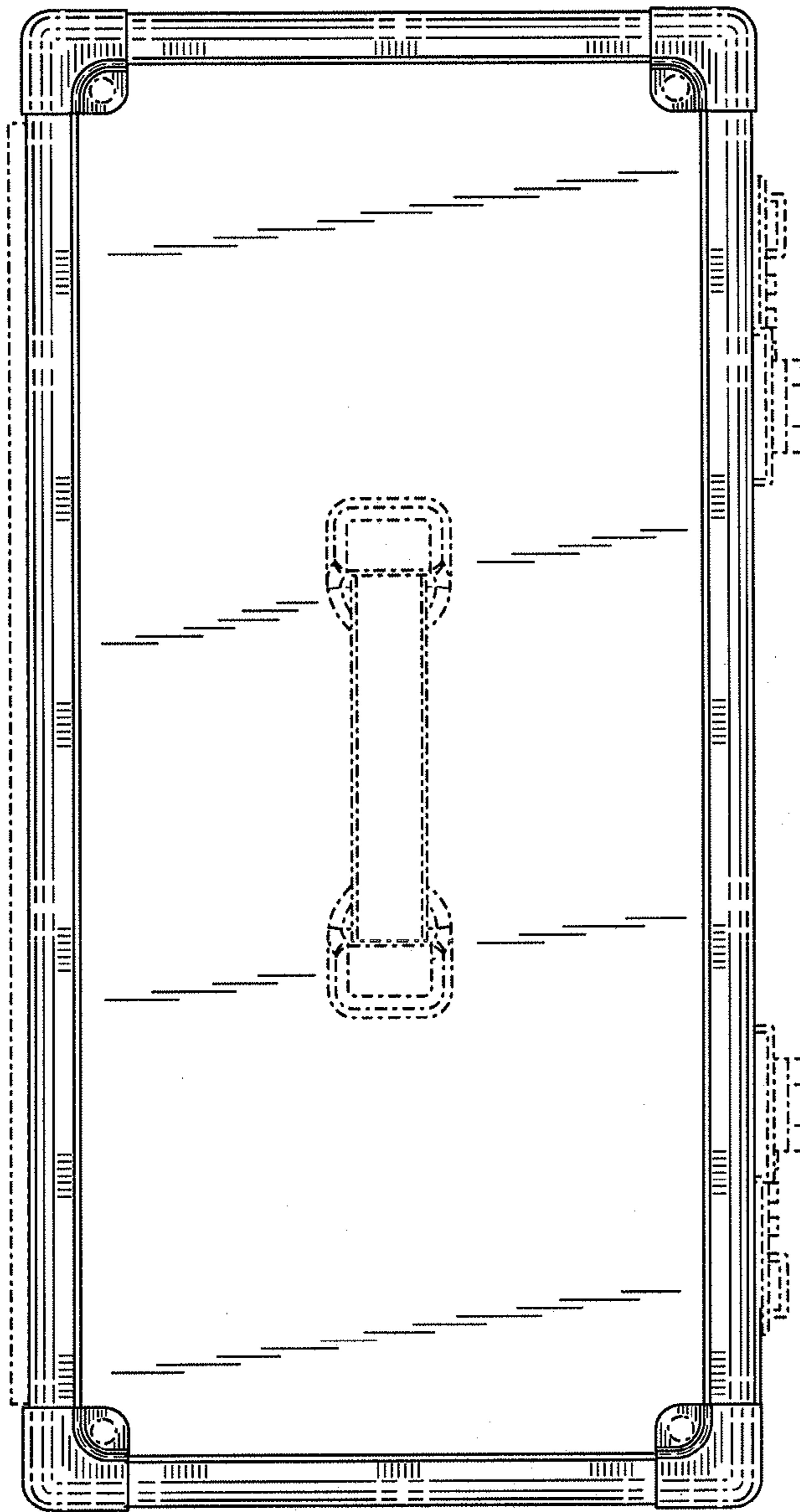
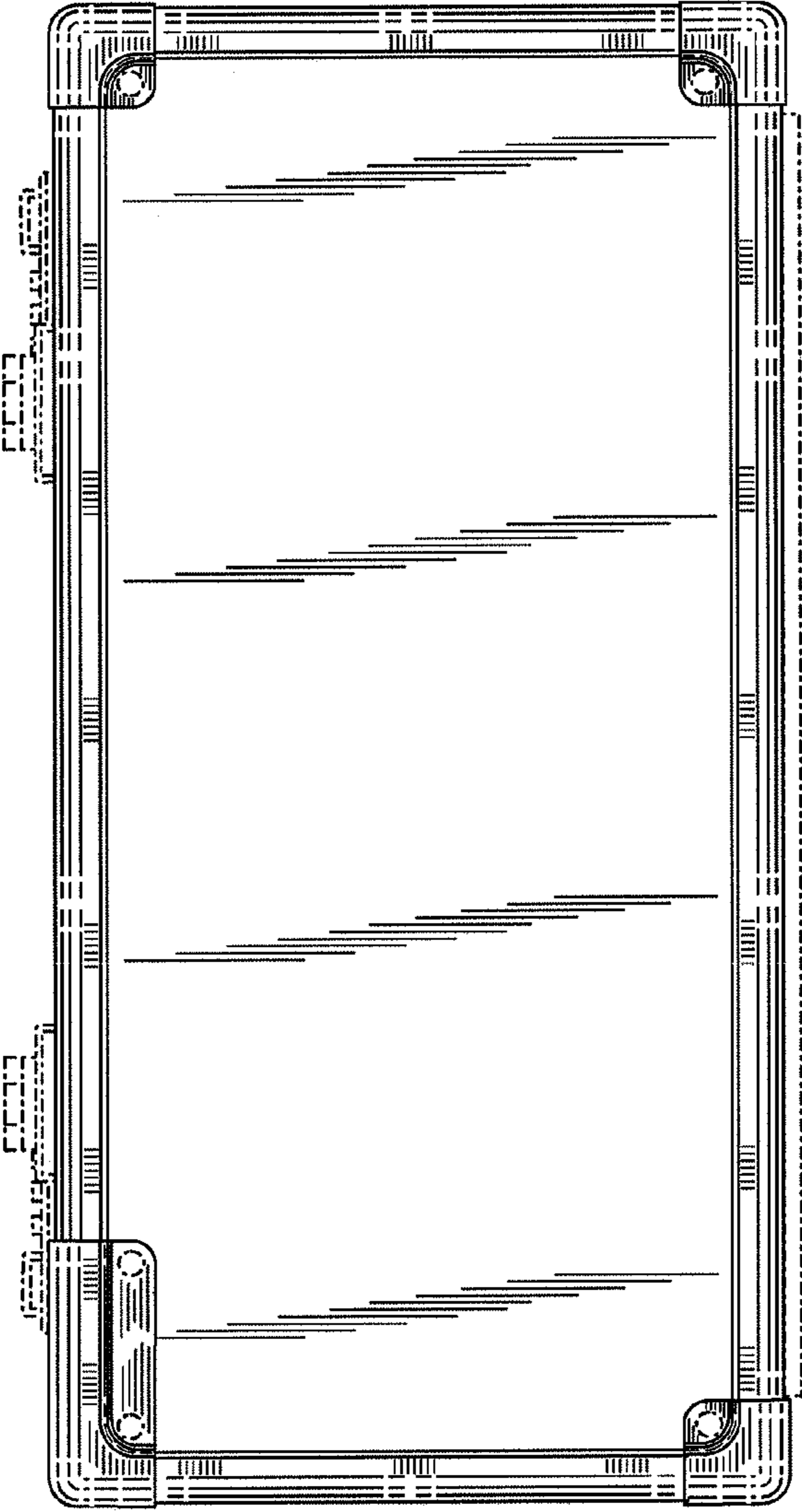


FIG. 19



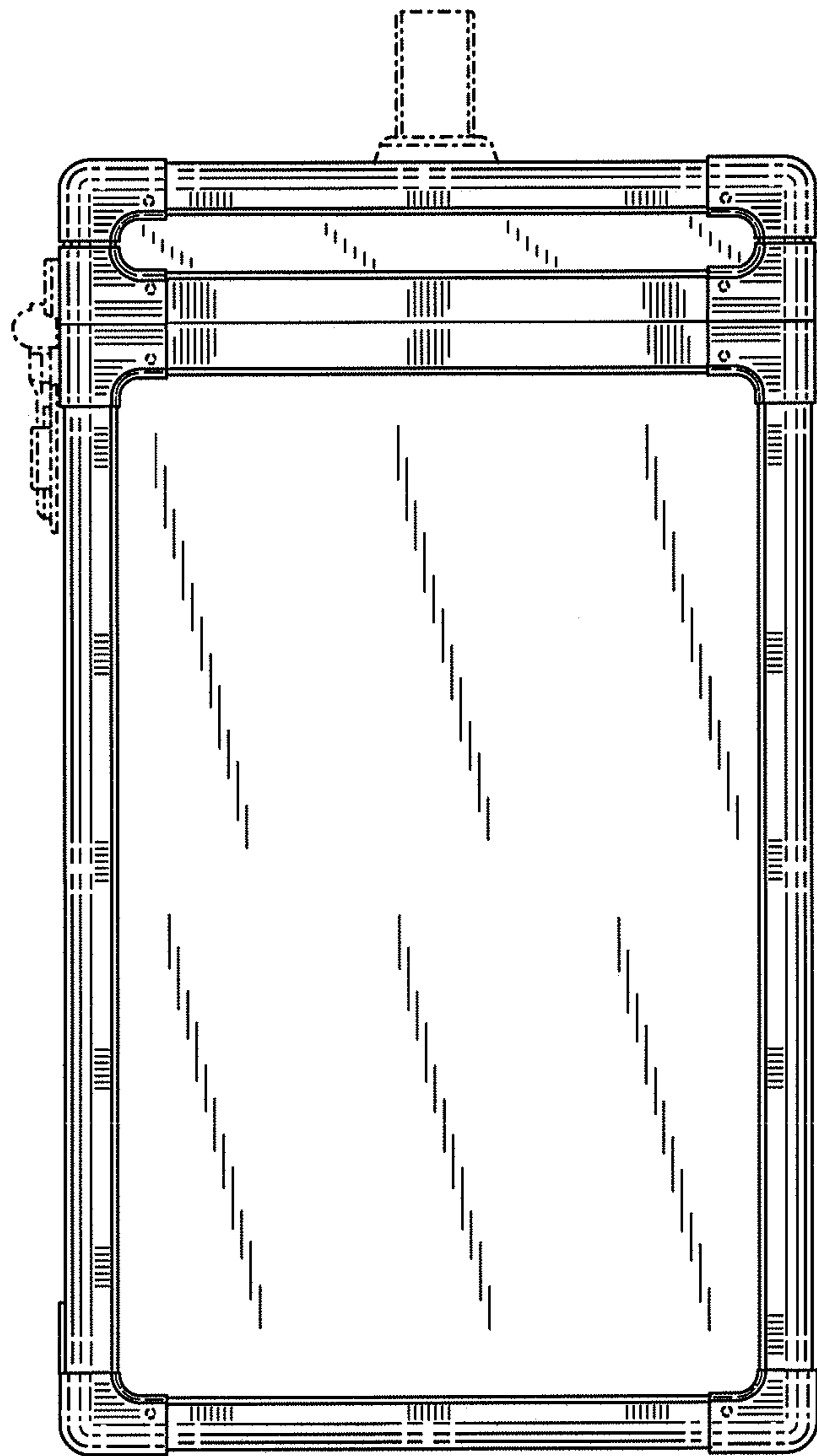


FIG. 20

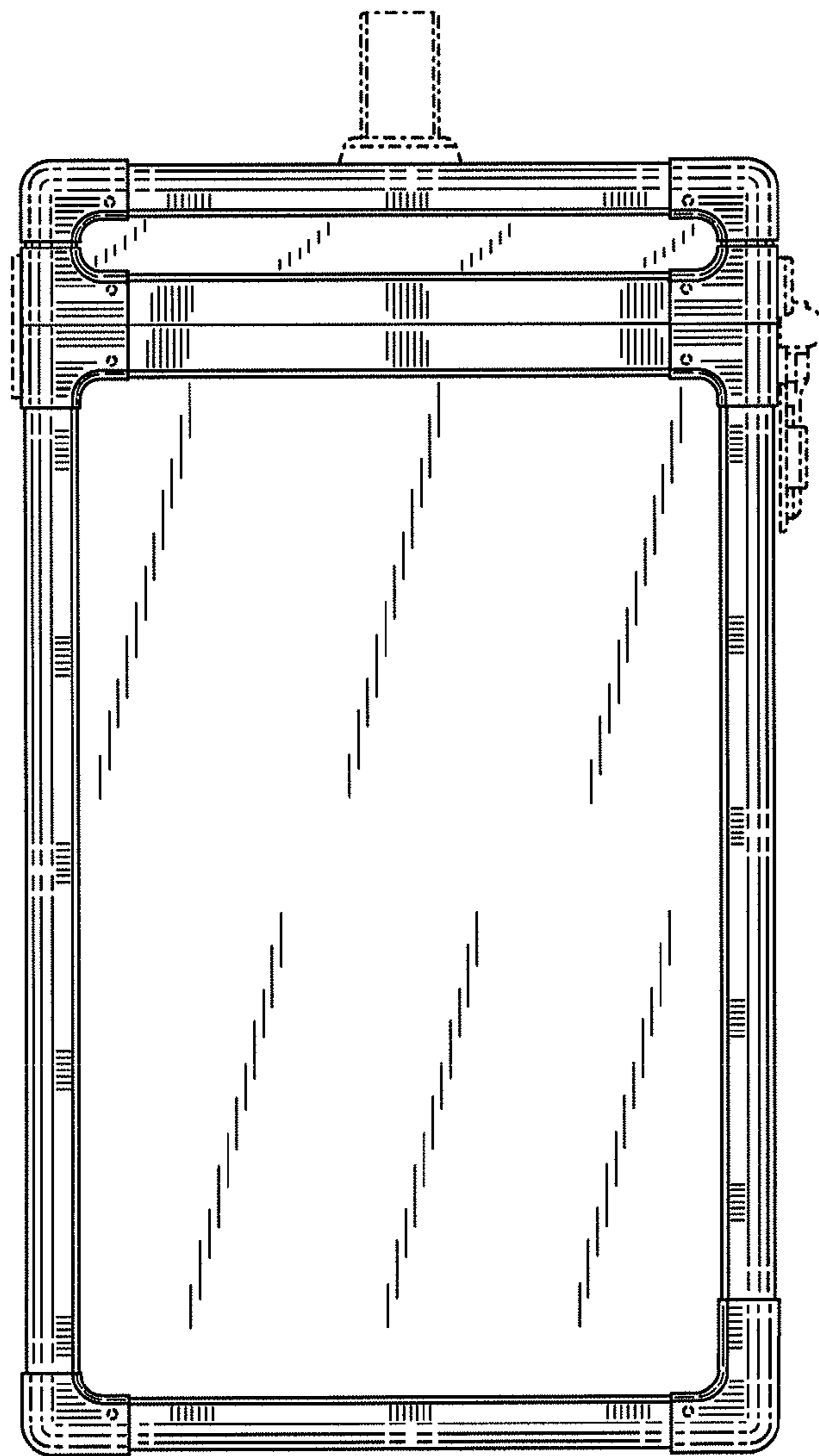


FIG. 21

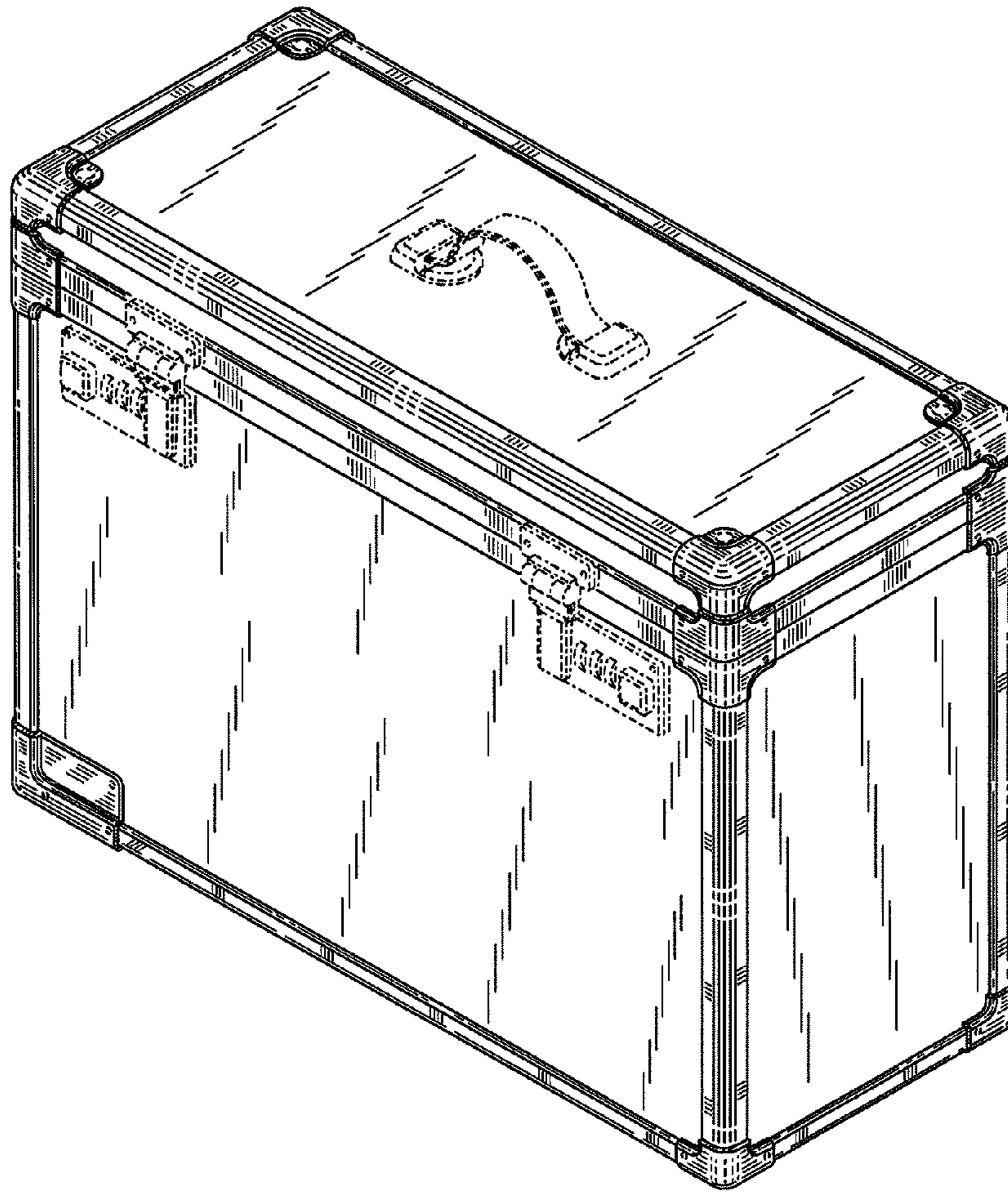


FIG. 22

FIG. 23

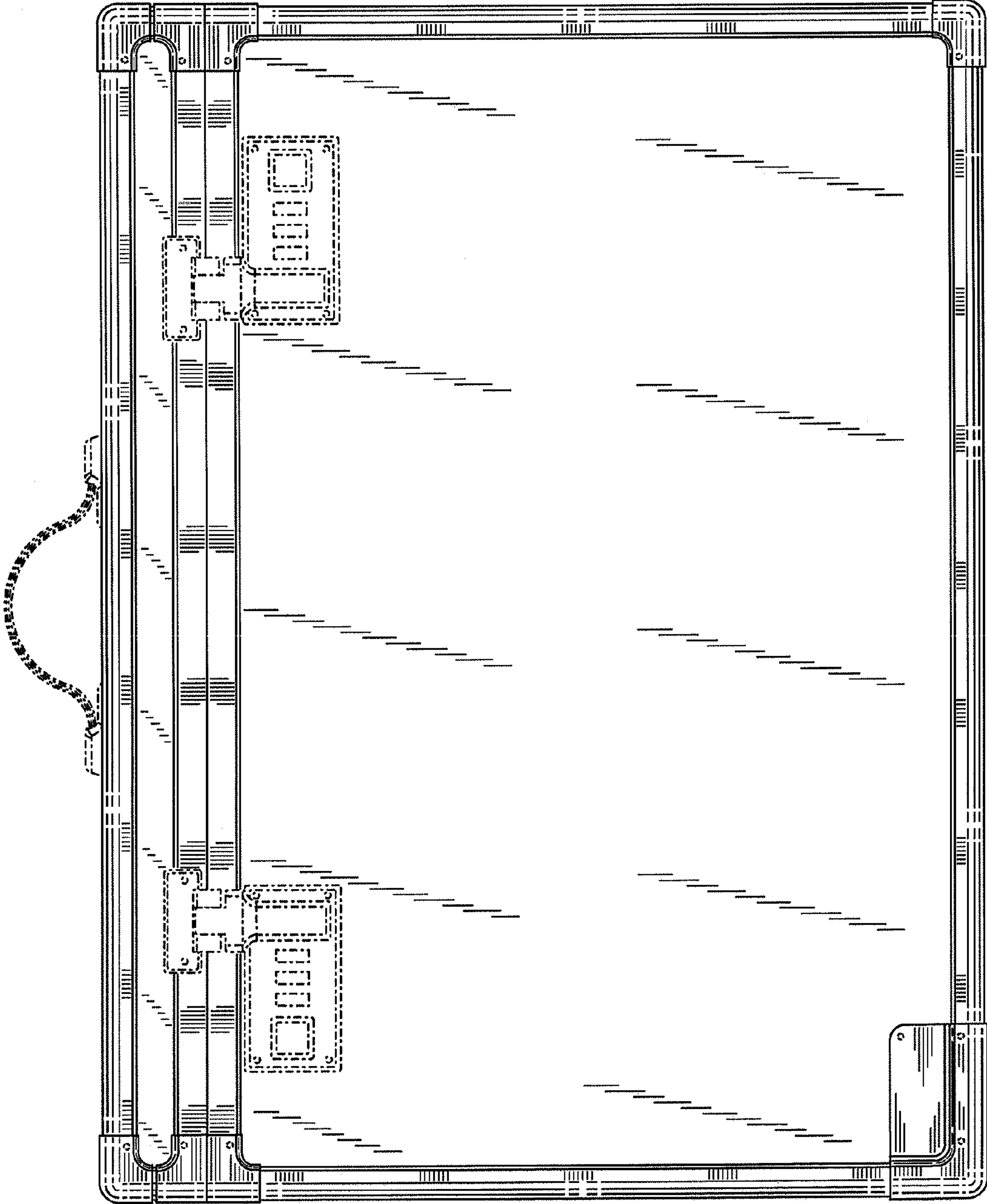


FIG. 24

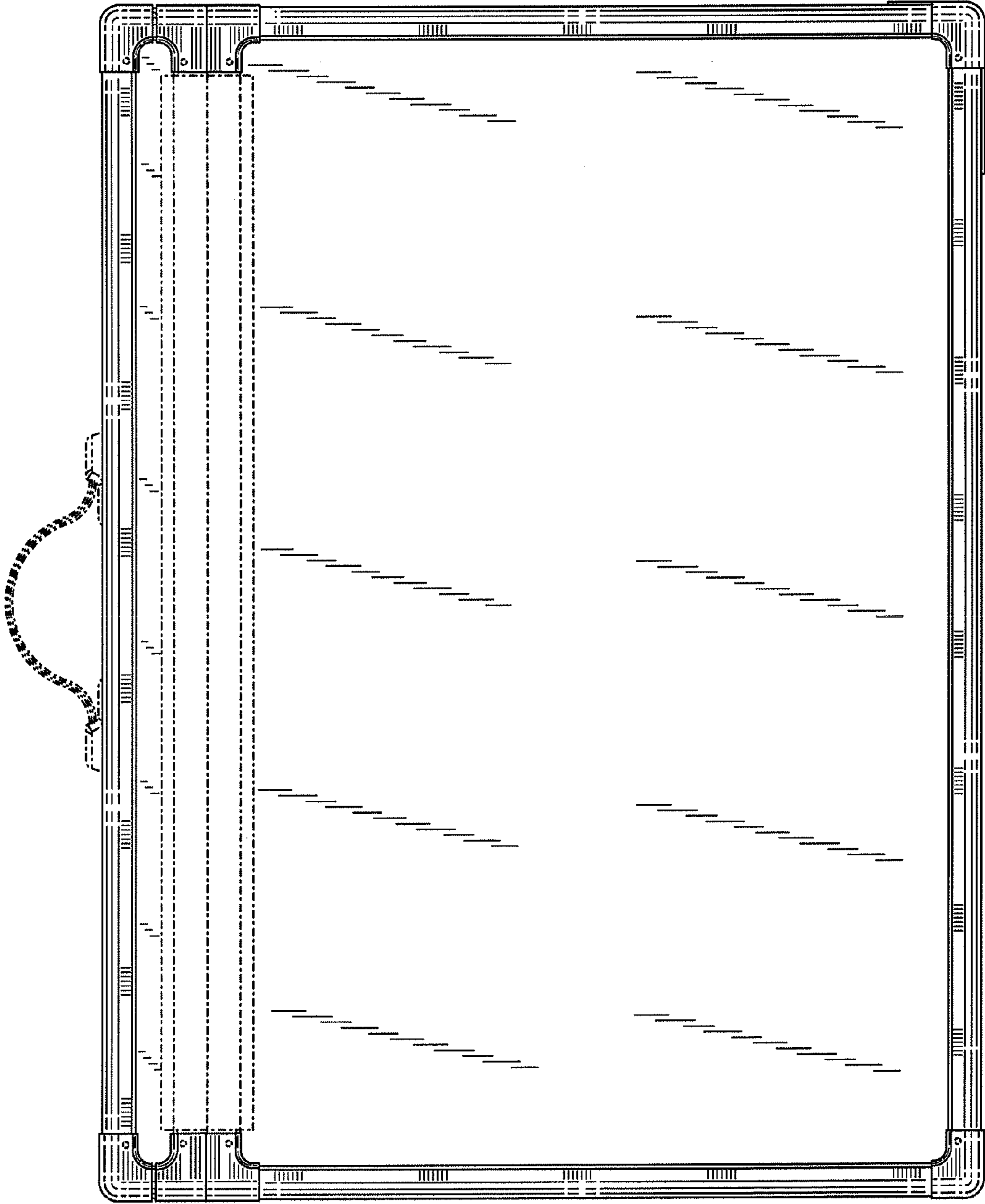


FIG. 25

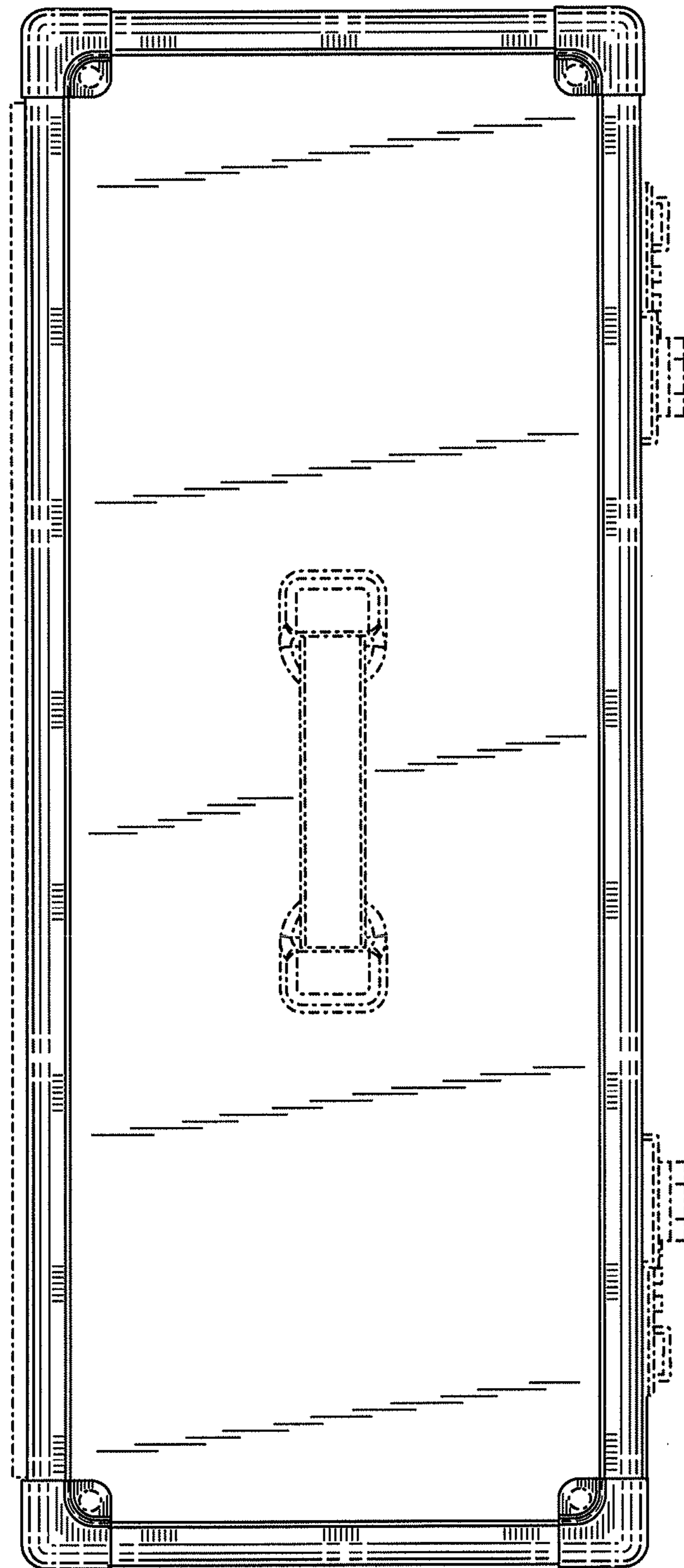
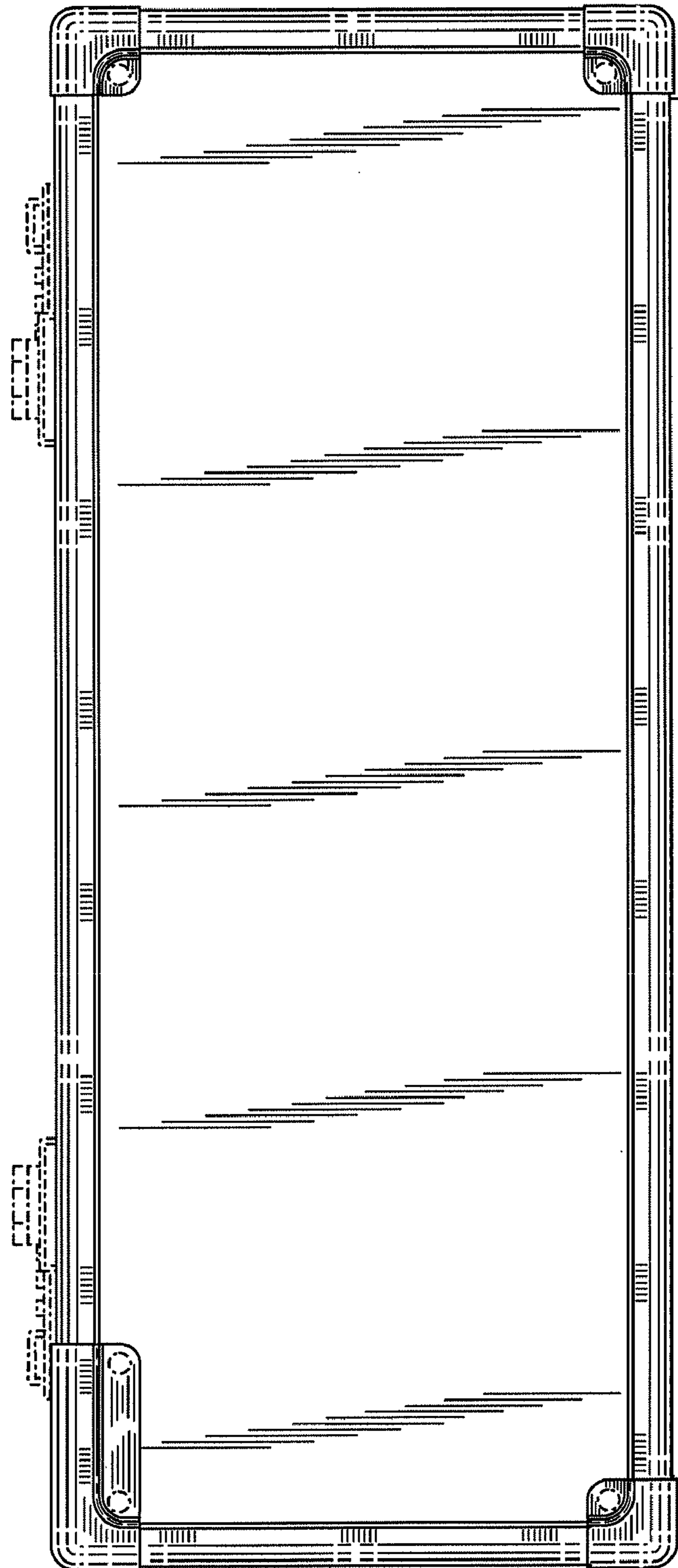


FIG. 26



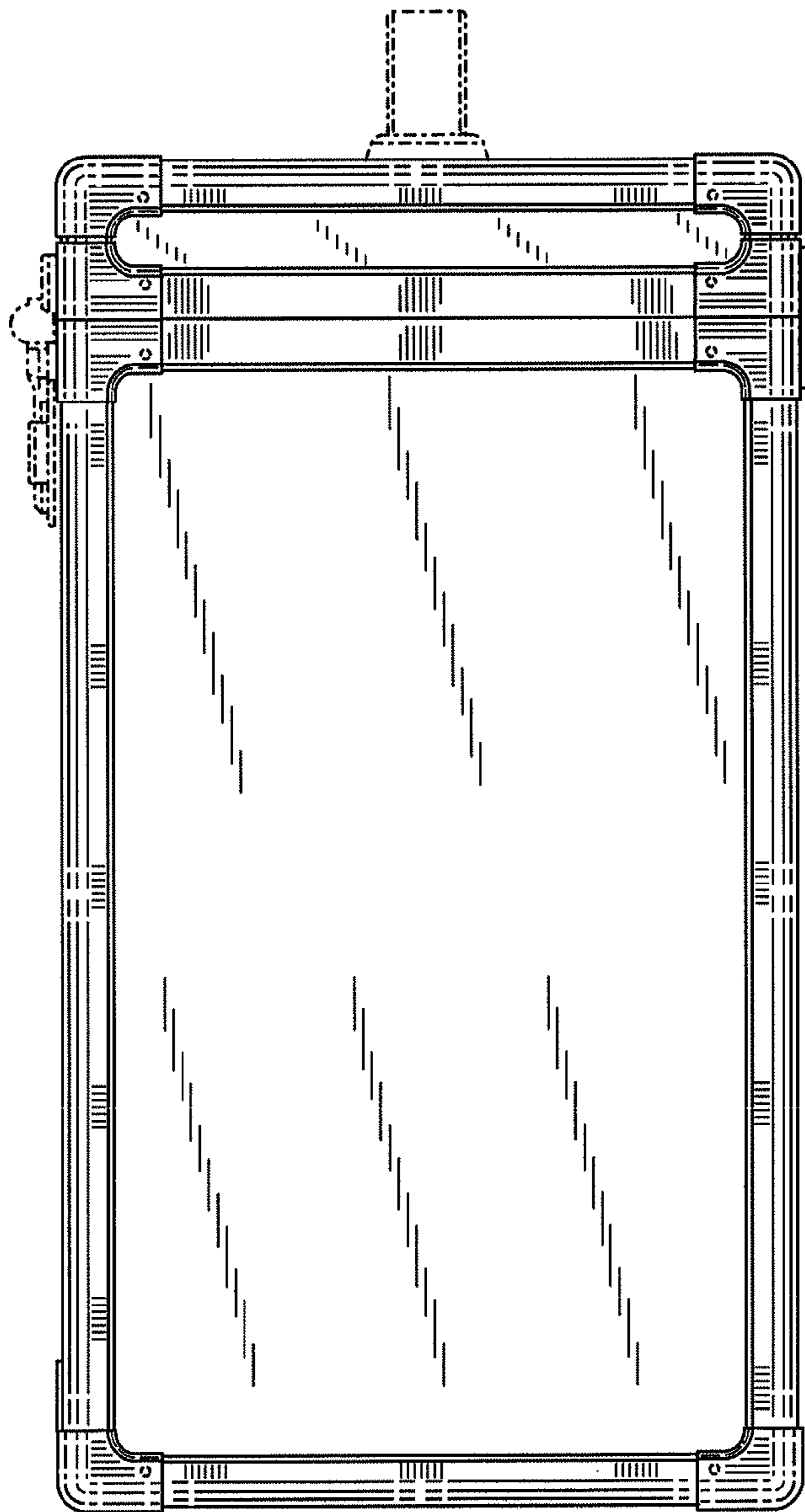


FIG. 27

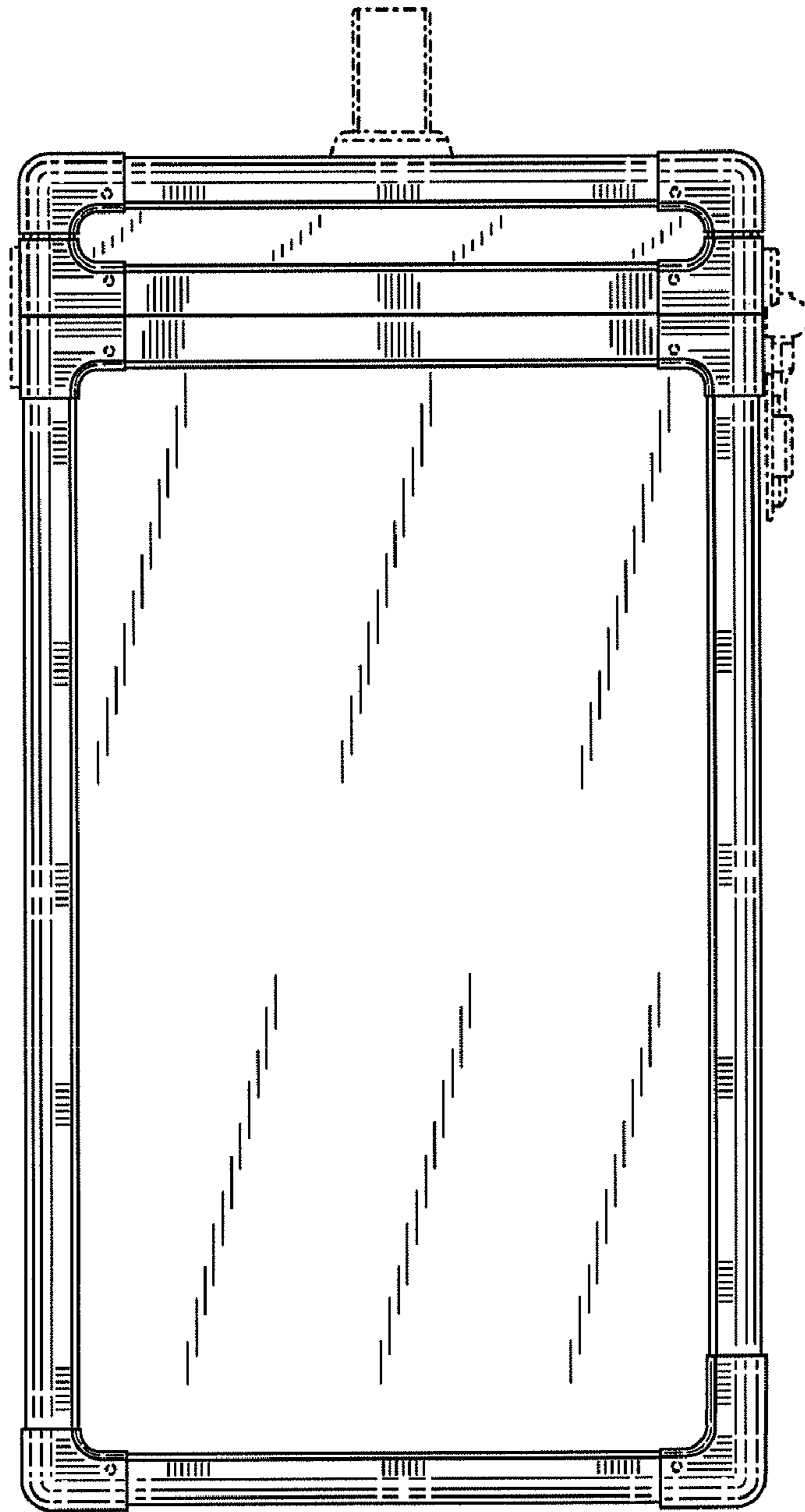


FIG. 28