

US00D671737S

(12) **United States Design Patent**
Fahrendorff et al.

(10) **Patent No.:** **US D671,737 S**
(45) **Date of Patent:** **** *Dec. 4, 2012**

(54) **DEVICE FOLIO**

(75) Inventors: **Anders Fahrendorff**, Ottawa (CA);
Andrew David Lowe, Unionville (CA)
(73) Assignee: **Research In Motion Limited**, Waterloo,
Ontario (CA)

(*) Notice: This patent is subject to a terminal disclaimer.

(**) Term: **14 Years**

(21) Appl. No.: **29/378,857**

(22) Filed: **Nov. 10, 2010**

(51) **LOC (9) Cl.** **03-01**

(52) **U.S. Cl.** **D3/218**

(58) **Field of Classification Search** D3/218-220,
D3/201, 215, 226, 247-249, 265, 269, 272-273,
D3/303; 206/305, 320; 455/90, 92, 42; 379/455;
224/250, 666, 674-677, 680-683, 240, 901;
D14/496, 156, 138, 450

See application file for complete search history.

(56) **References Cited**

U.S. PATENT DOCUMENTS

D172,458 S *	6/1954	Baratelli	D3/265
D251,084 S *	2/1979	Marks	D3/265
D332,872 S *	2/1993	Seber	D3/220
D515,807 S *	2/2006	Faillace	D3/218
D570,102 S *	6/2008	Harris et al.	D3/218
D606,299 S *	12/2009	Boomhour et al.	D3/201

* cited by examiner

Primary Examiner — Catheri Oliver-Garcia

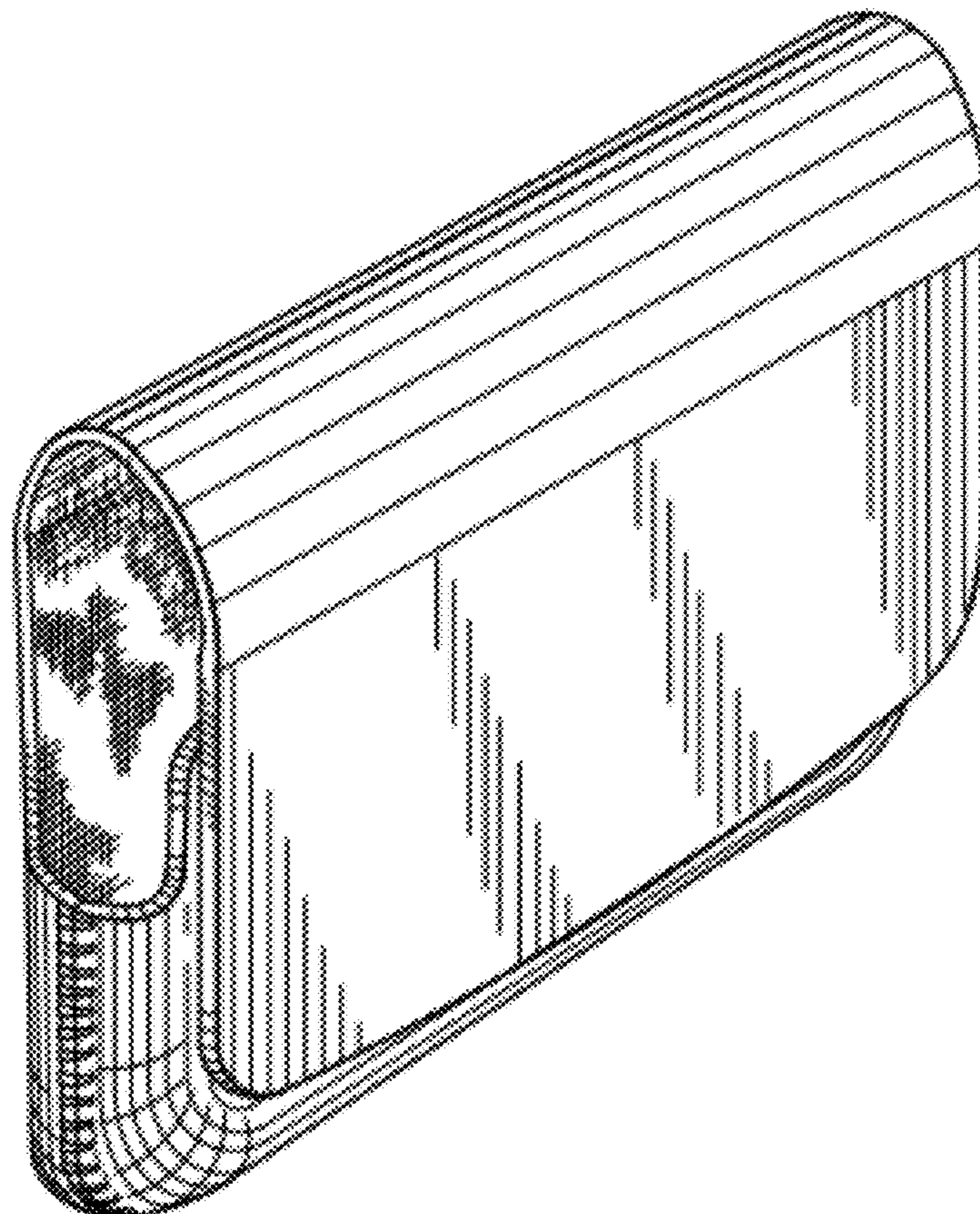
(57) **CLAIM**

We claim the ornamental design for a device folio, as shown and described.

DESCRIPTION

FIG. 1 is a front perspective view of a device folio;
FIG. 2 is a rear perspective view of the device folio;
FIG. 3 is a front elevational view thereof;
FIG. 4 is a rear elevational view thereof;
FIG. 5 is a top plan view thereof;
FIG. 6 is a bottom plan view thereof;
FIG. 7 is a right elevational view thereof; and,
FIG. 8 is a left elevational view thereof.

1 Claim, 4 Drawing Sheets



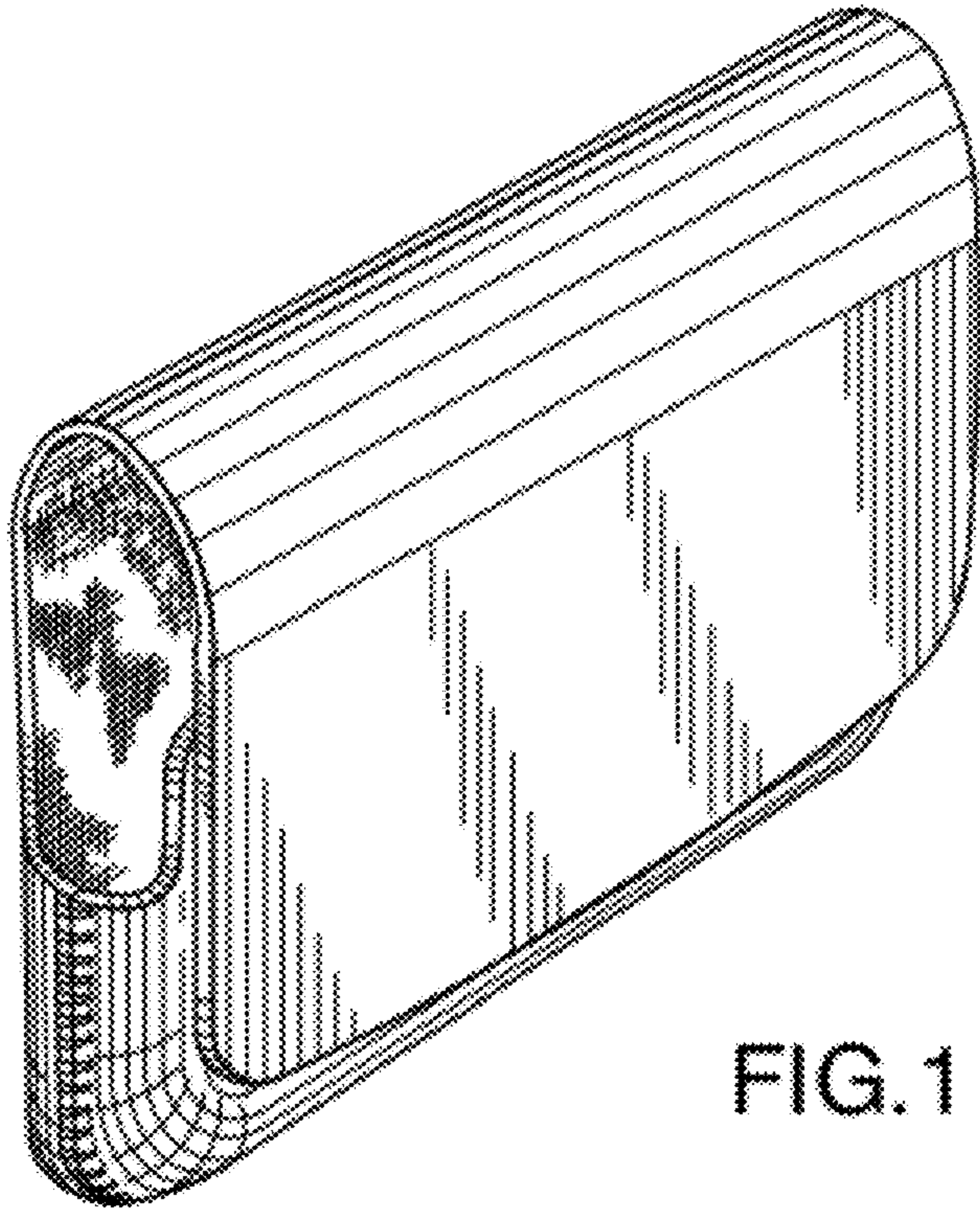


FIG. 1

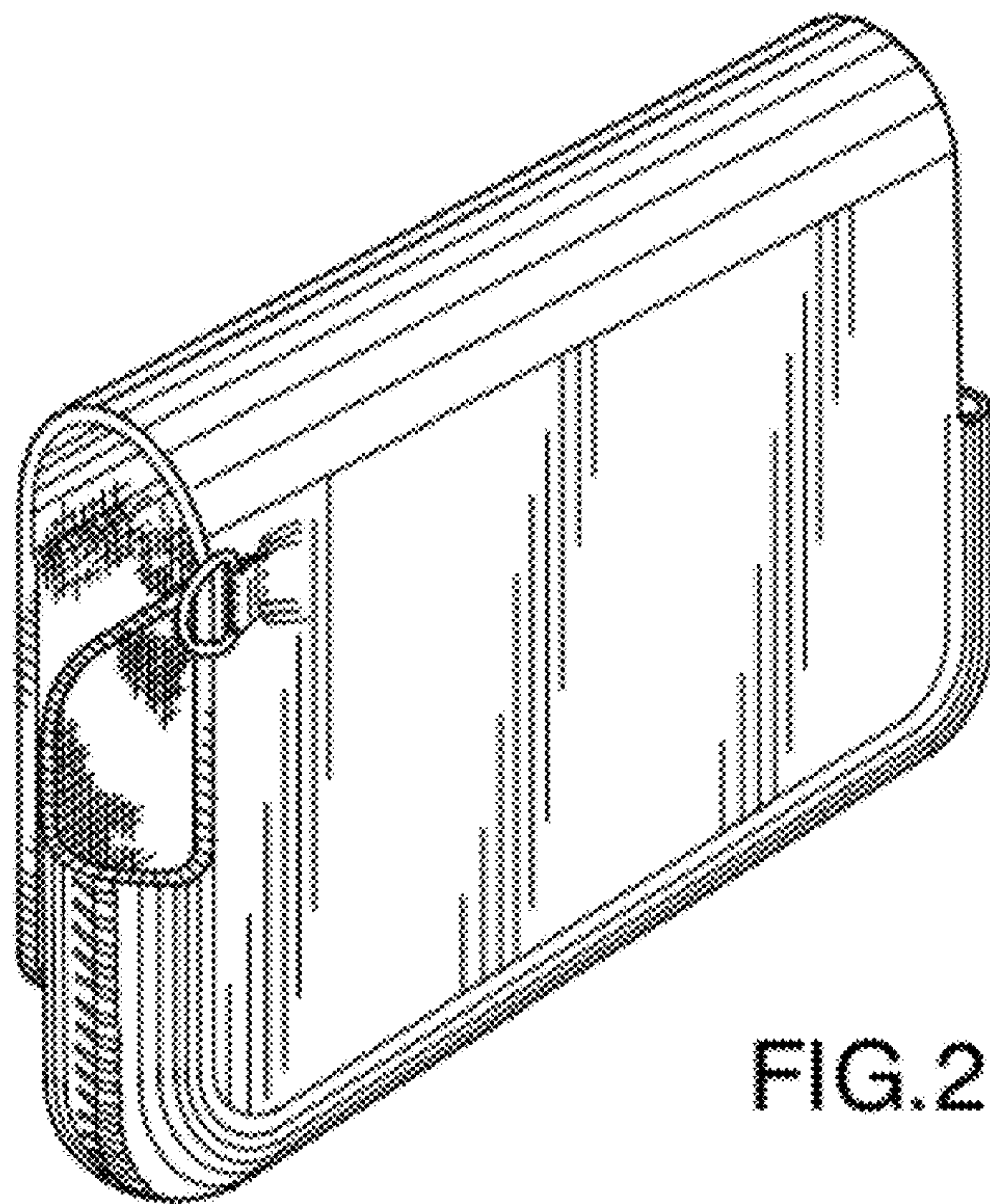


FIG. 2

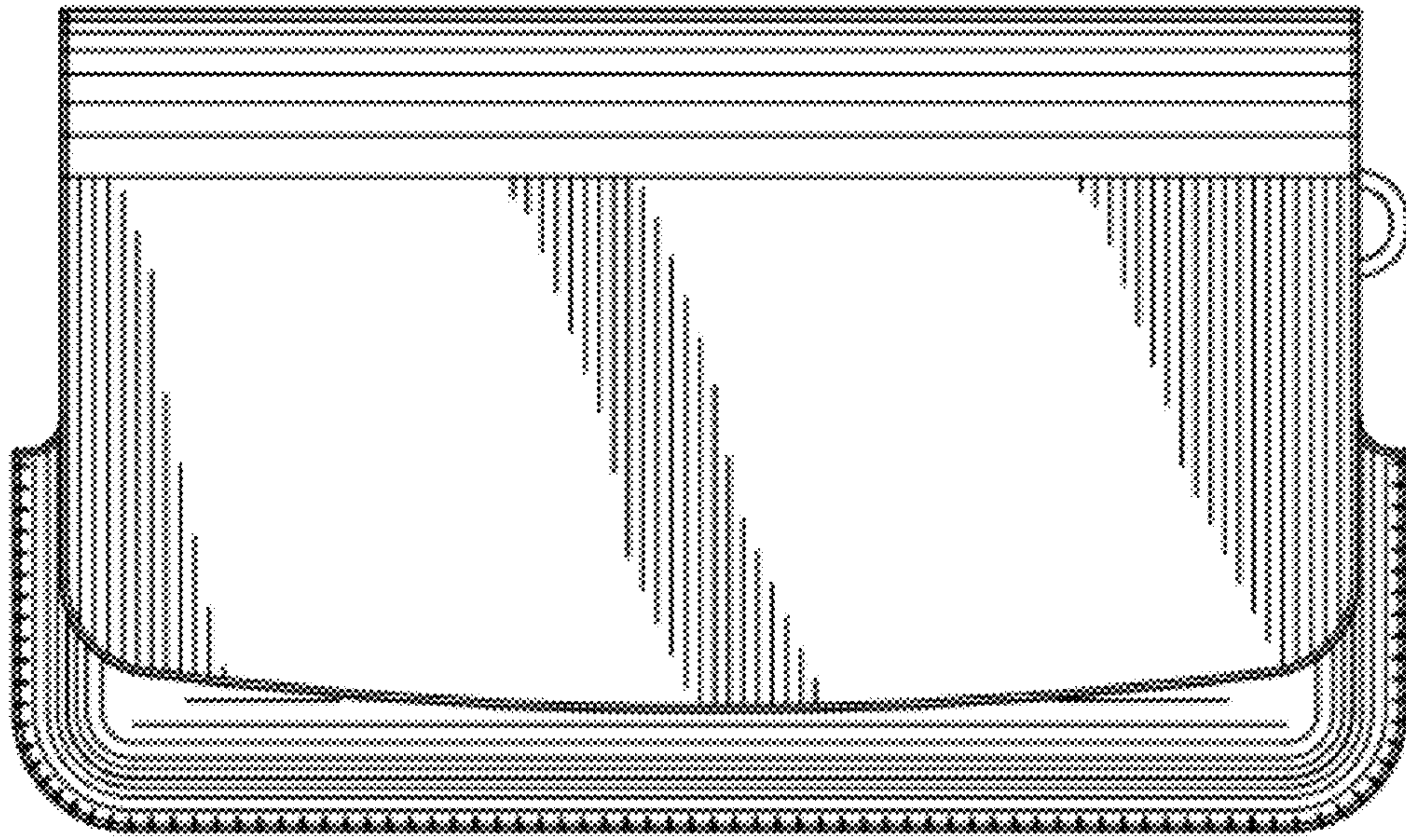


FIG.3

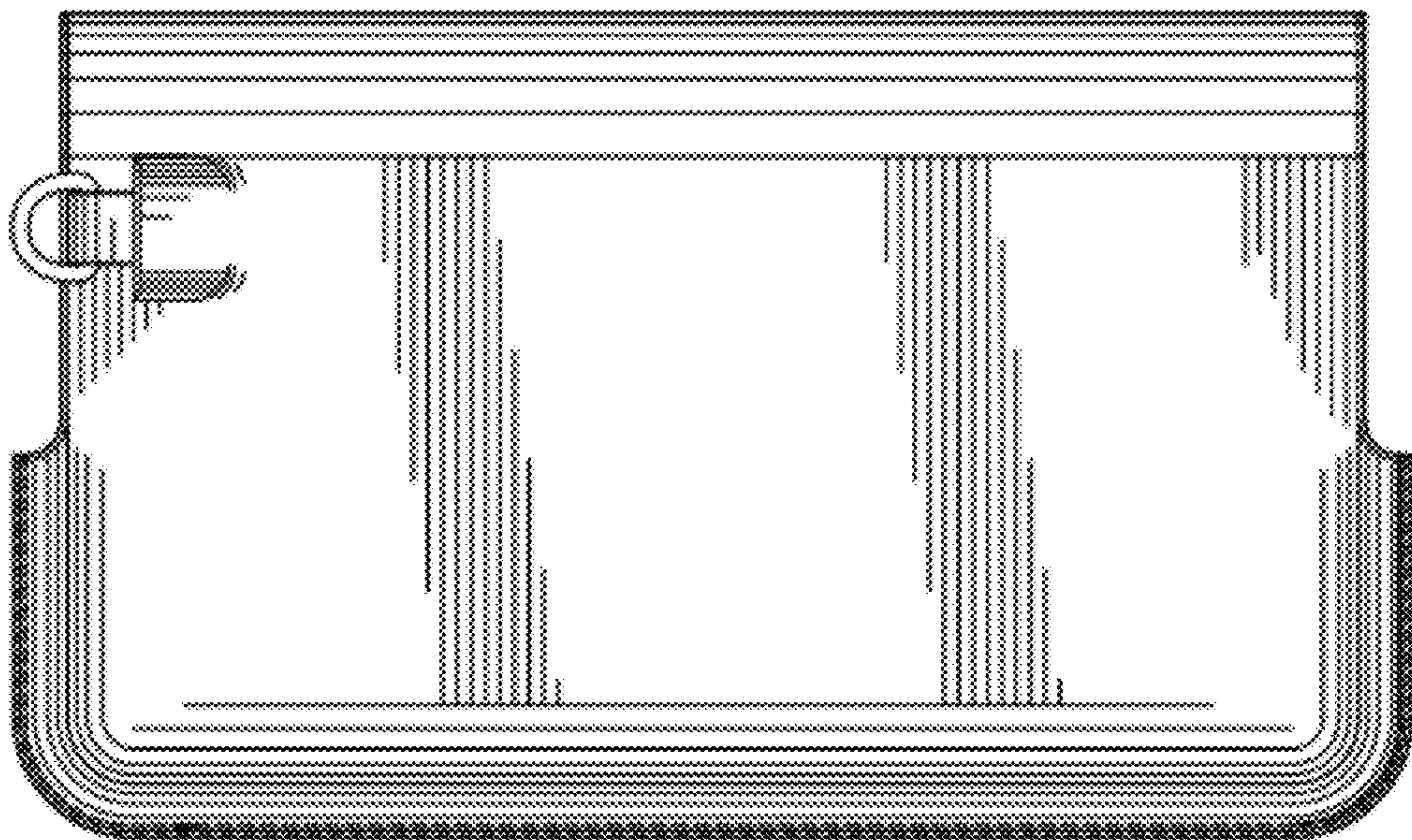


FIG.4

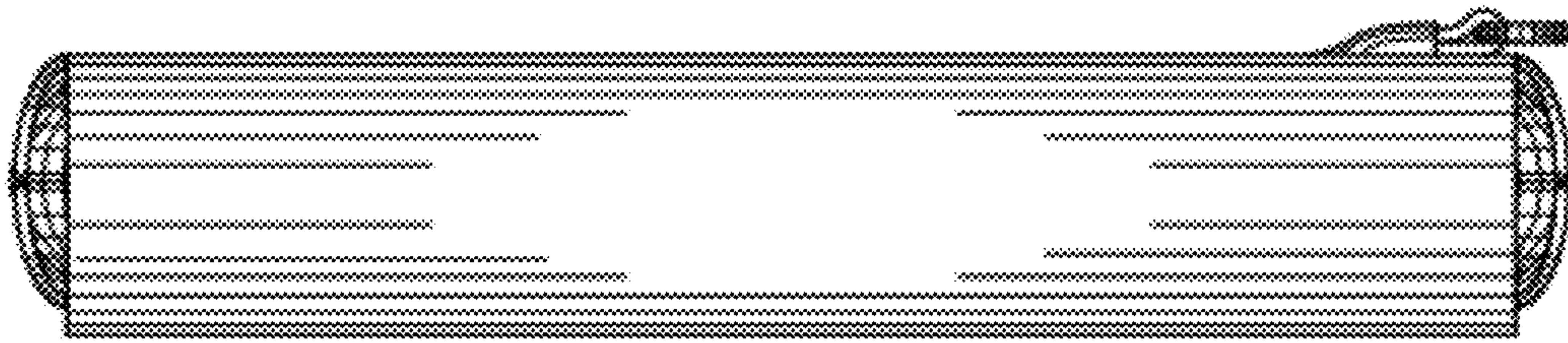


FIG. 5

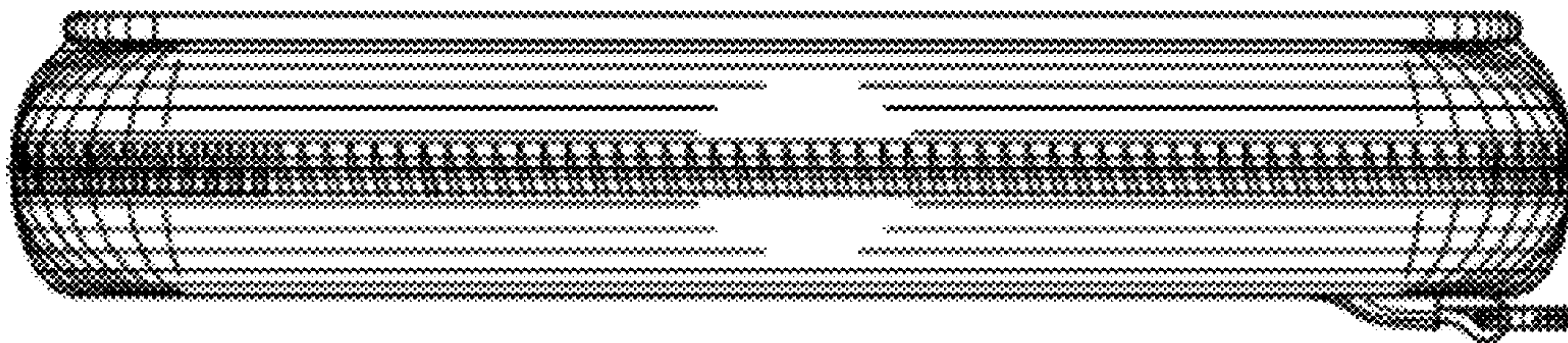


FIG. 6

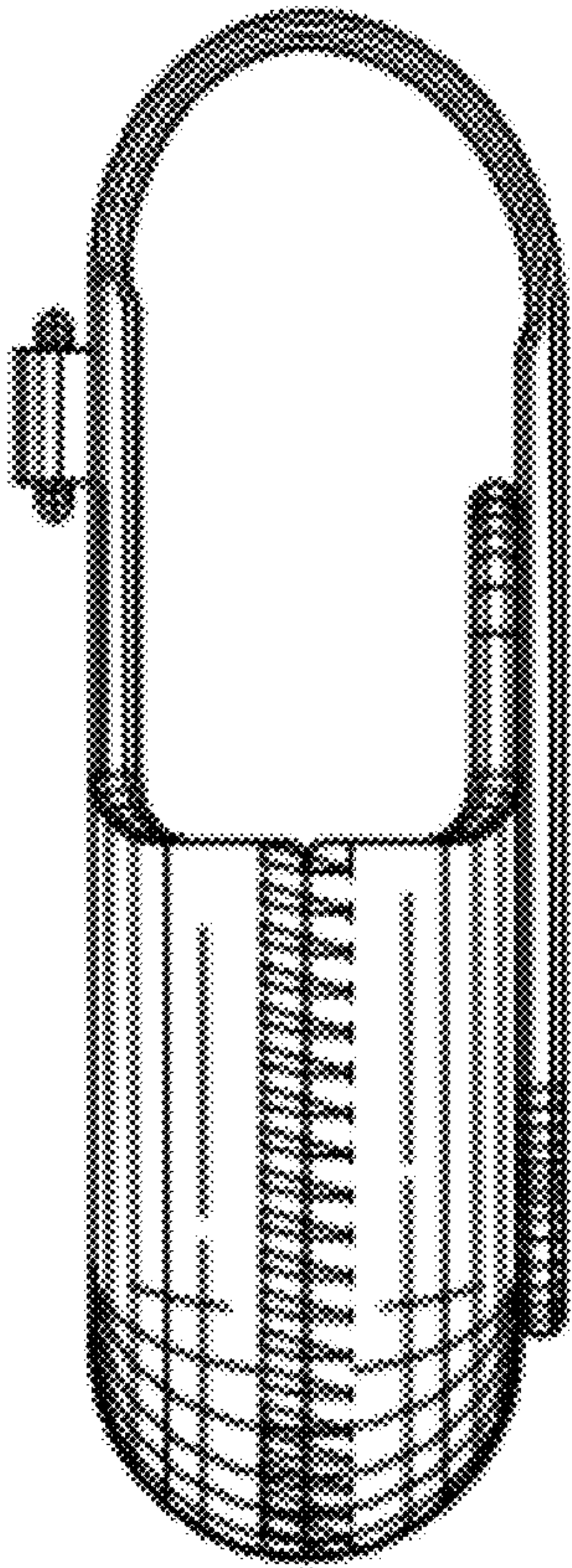


FIG. 7

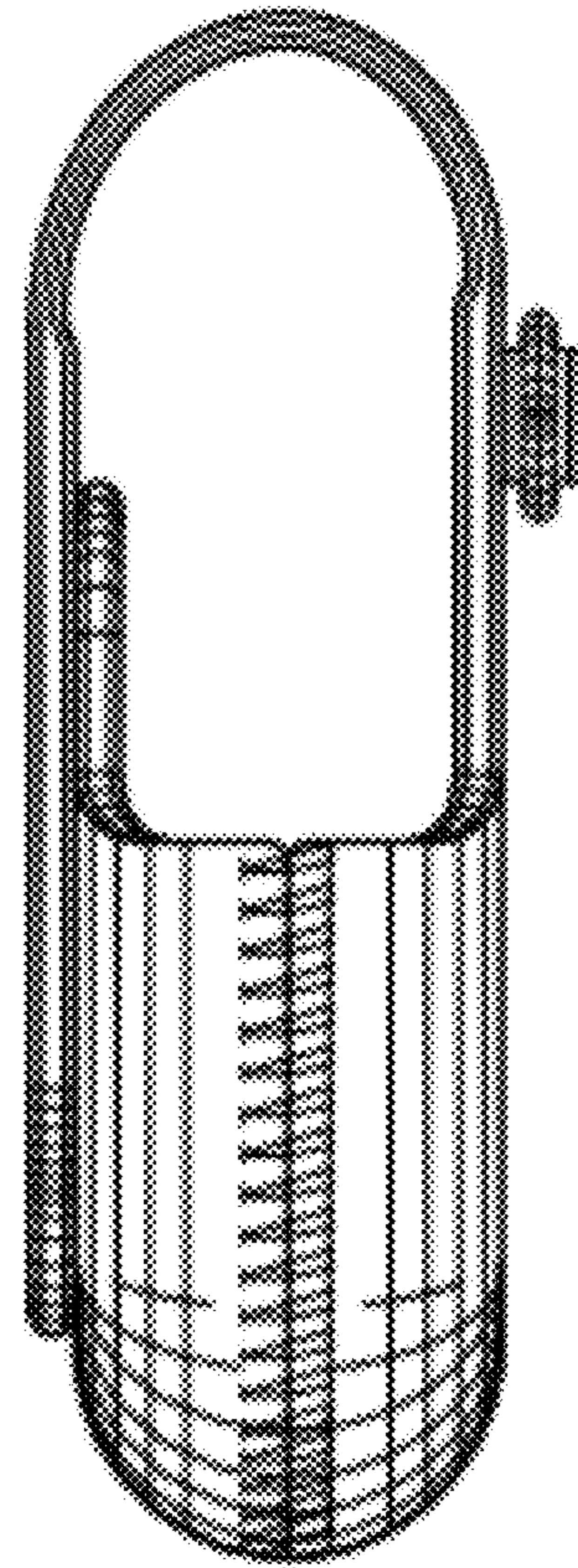


FIG. 8