



US00D671721S

(12) **United States Design Patent**
Reaux

(10) **Patent No.:** **US D671,721 S**
(45) **Date of Patent:** **** Dec. 4, 2012**

- (54) **SANDAL UPPER**
- (75) Inventor: **Brian K. Reaux**, Red Oak, TX (US)
- (73) Assignee: **Brian K. Reaux**, Red Oak, TX (US)
- (**) Term: **14 Years**
- (21) Appl. No.: **29/374,398**
- (22) Filed: **Aug. 8, 2011**
- (51) **LOC (9) Cl.** **02-04**
- (52) **U.S. Cl.** **D2/917; D2/969; D2/946**
- (58) **Field of Classification Search** **D2/896-900,**
D2/903, 916-925, 943, 946, 952, 969, 971;
36/45, 11.5, 8.1, 77 M, 77 R, 83, 7
See application file for complete search history.

- D586,984 S * 2/2009 Schwartz D2/925
- D590,581 S * 4/2009 Comeau D2/917
- D592,387 S * 5/2009 Comeau D2/946

* cited by examiner

Primary Examiner — Robert M Spear
Assistant Examiner — Rashida C McCoy

(57) **CLAIM**

The ornamental design for a sandal upper, as shown and described.

DESCRIPTION

FIG. 1 is a exploded perspective view of a sandal upper, showing my new design in use;
 FIG. 2 is a perspective view of a sandal upper, fully assembled;
 FIG. 3 is a front view thereof;
 FIG. 4 is a left side view thereof;
 FIG. 5 is a right side view thereof;
 FIG. 6 is a rear view thereof;
 FIG. 7 is a top view thereof; and,
 FIG. 8 is a bottom view thereof.
 The broken lines illustrate environmental structure and form no part of the claimed design.

(56) **References Cited**

U.S. PATENT DOCUMENTS

- 6,769,204 B1 * 8/2004 Phillips 36/136
- D513,447 S * 1/2006 Corneau D2/917
- D521,213 S * 5/2006 Jarmon Mouchi et al. D2/946
- D523,214 S * 6/2006 Jarmon Mouchi et al. D2/946
- D532,186 S * 11/2006 Boschock D2/946
- D545,039 S * 6/2007 Weitzman et al. D2/971
- D555,882 S * 11/2007 Comeau D2/917
- D582,147 S * 12/2008 Weitzman D2/971

1 Claim, 4 Drawing Sheets

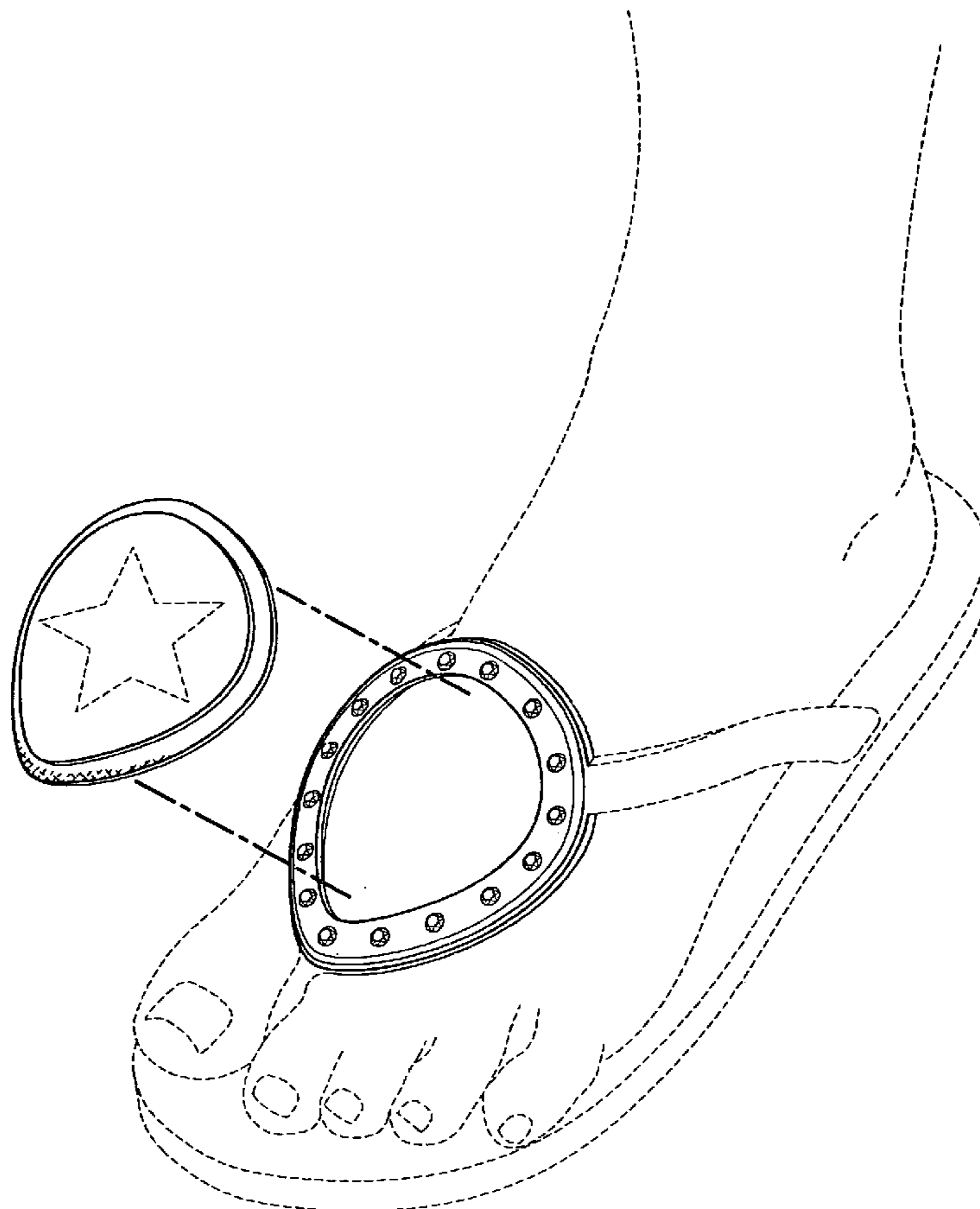




FIG. 1

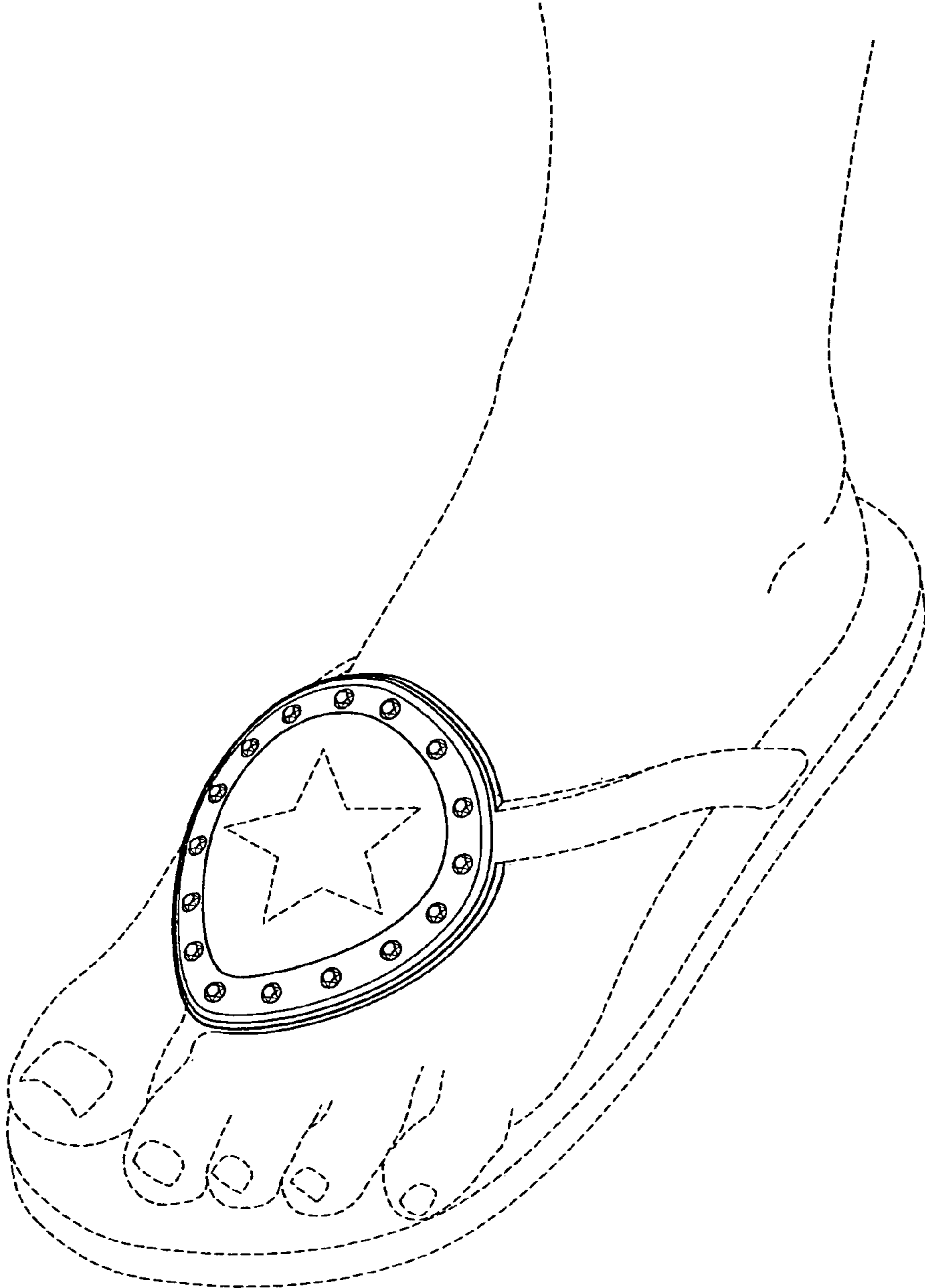


FIG. 2

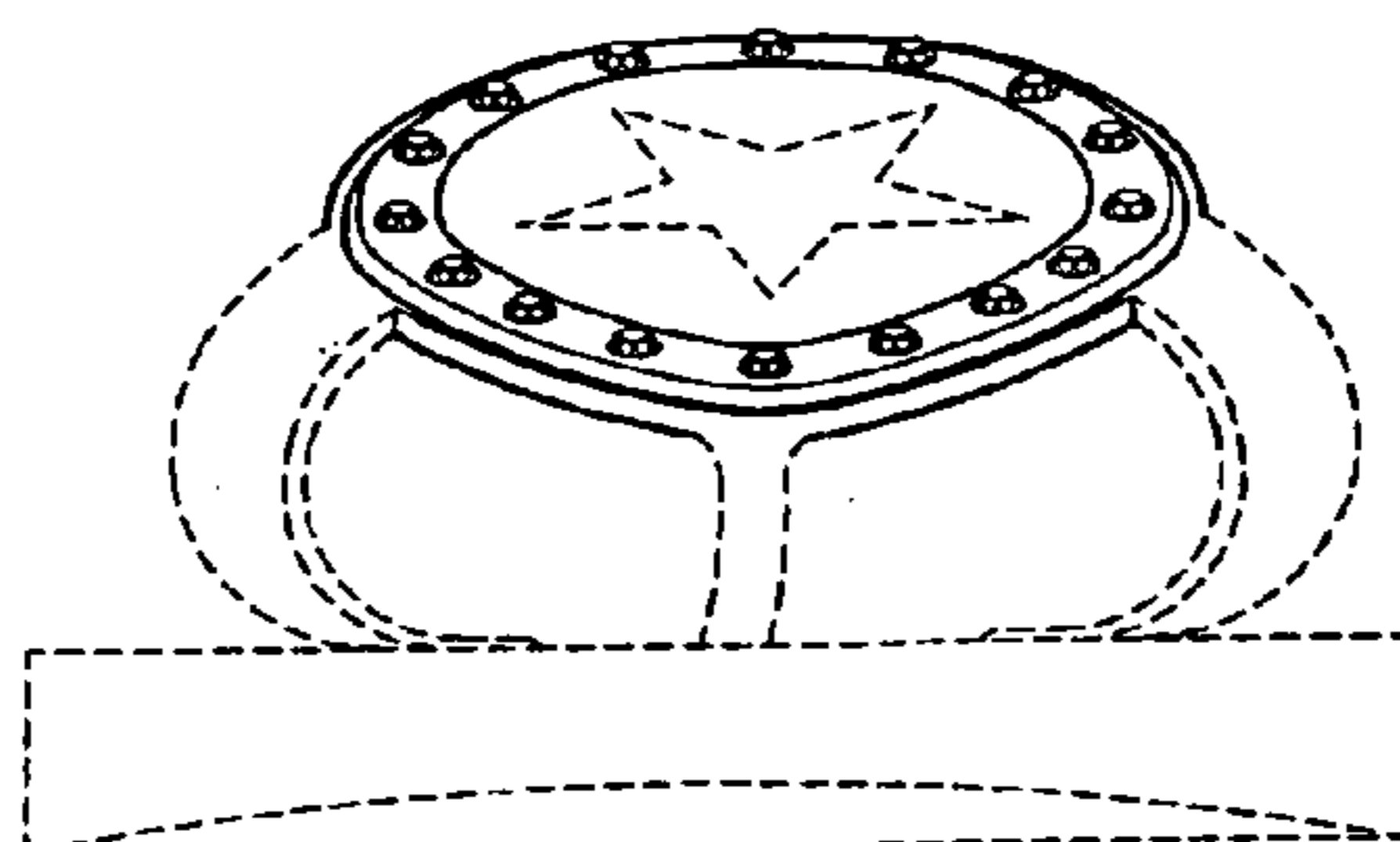


FIG. 3

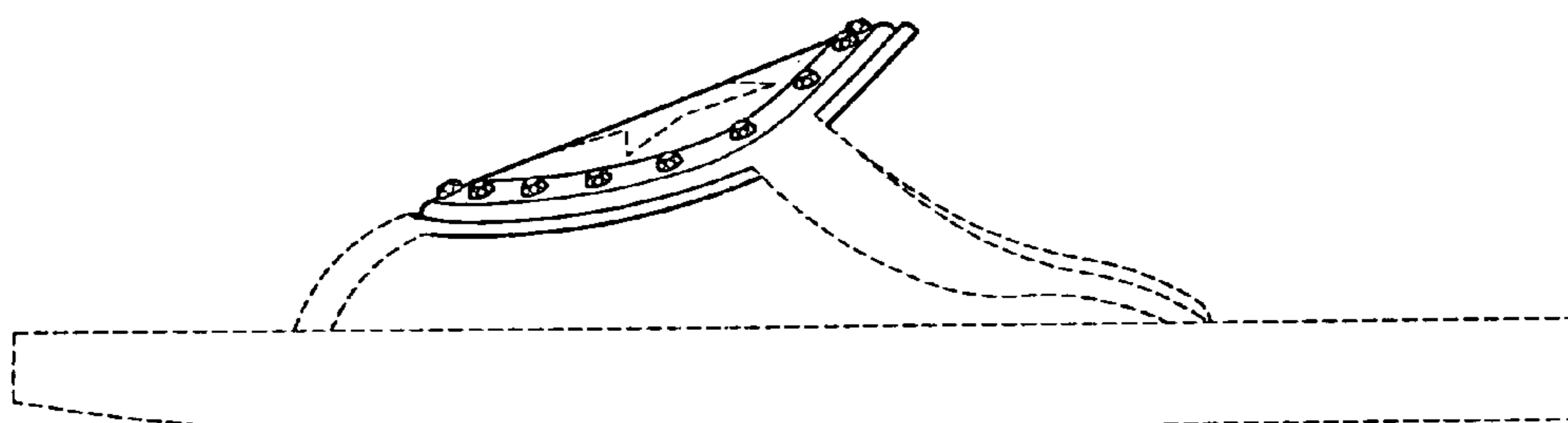


FIG. 4

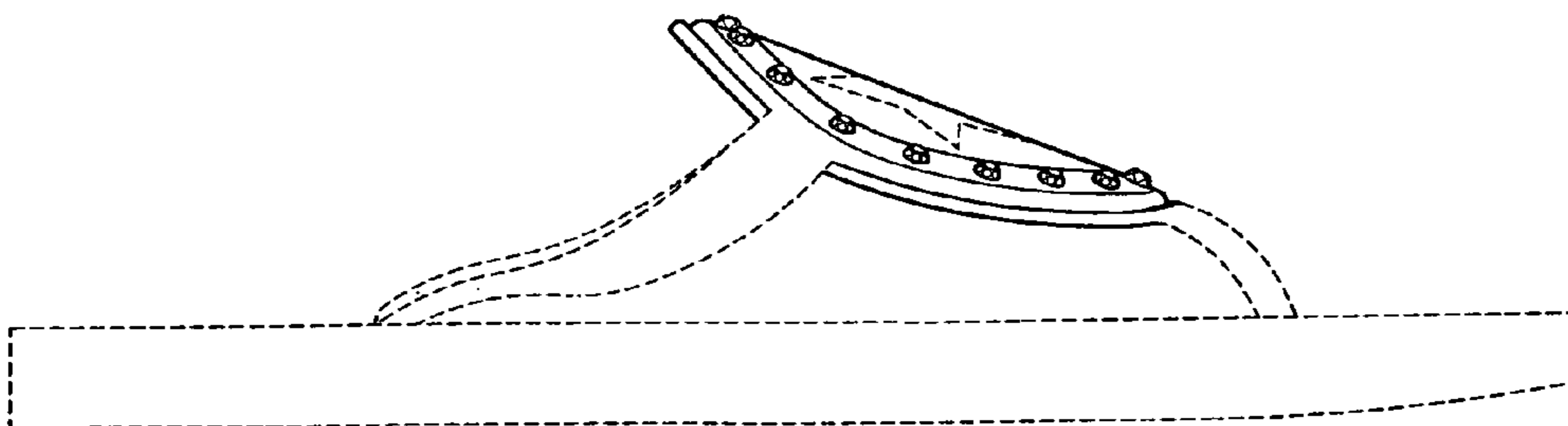


FIG. 5

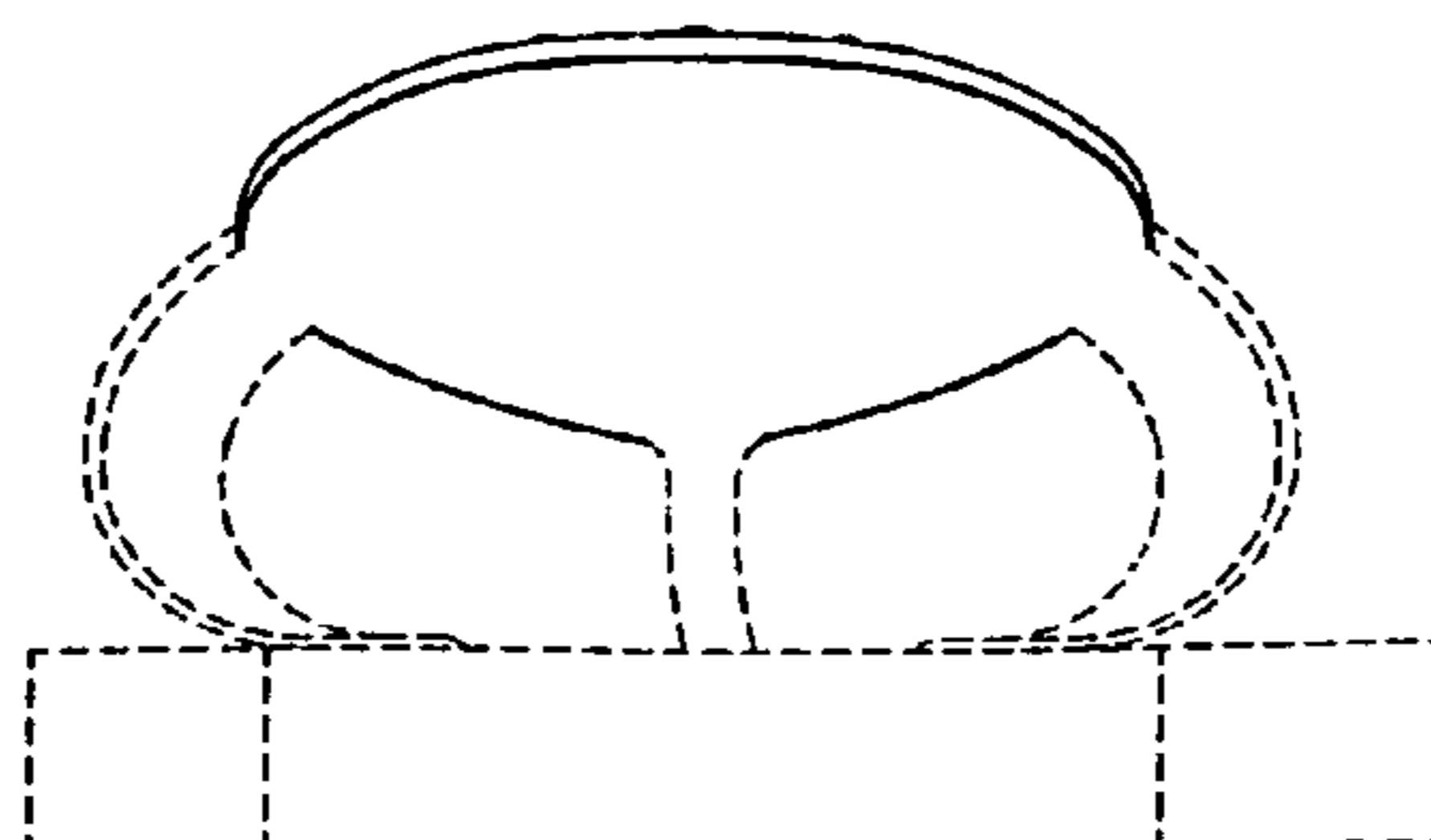


FIG. 6

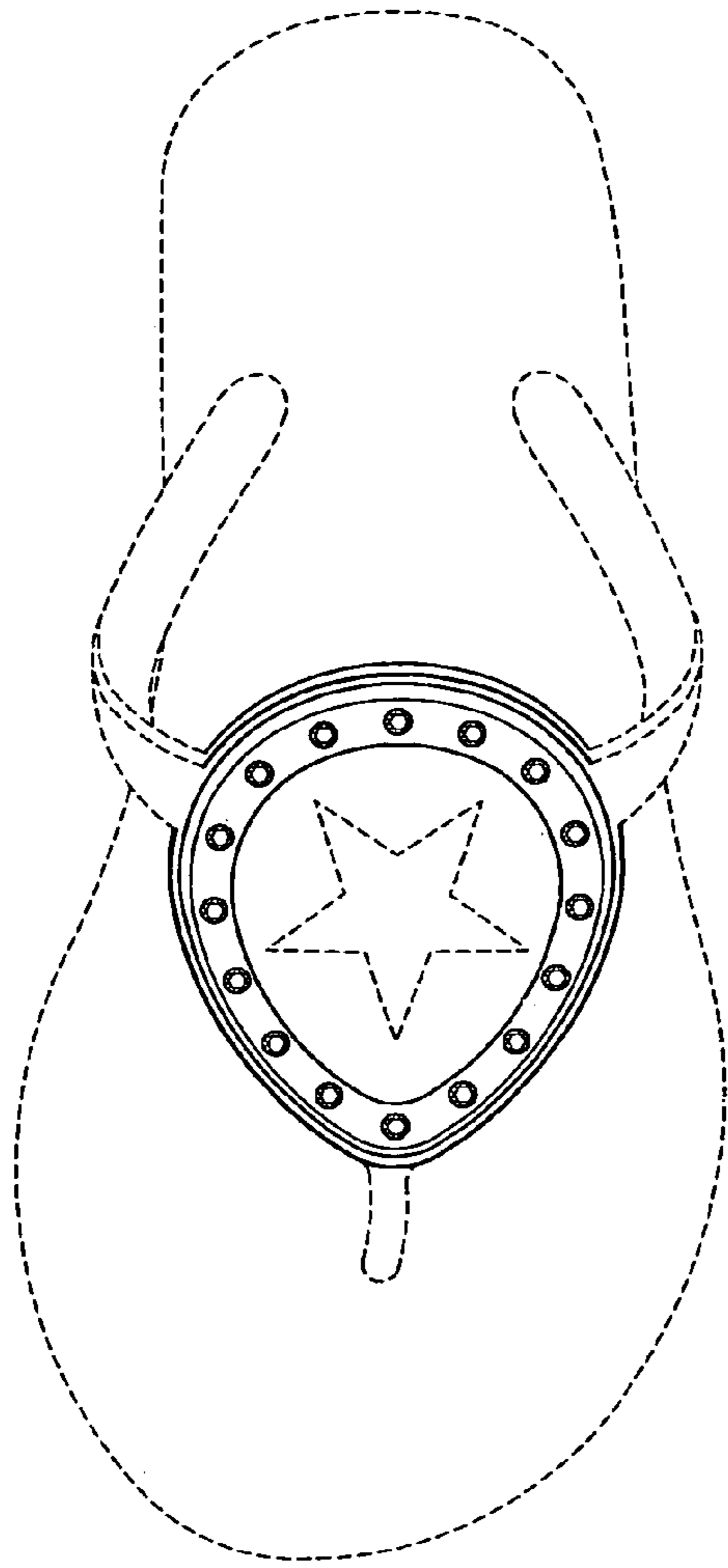


FIG. 7

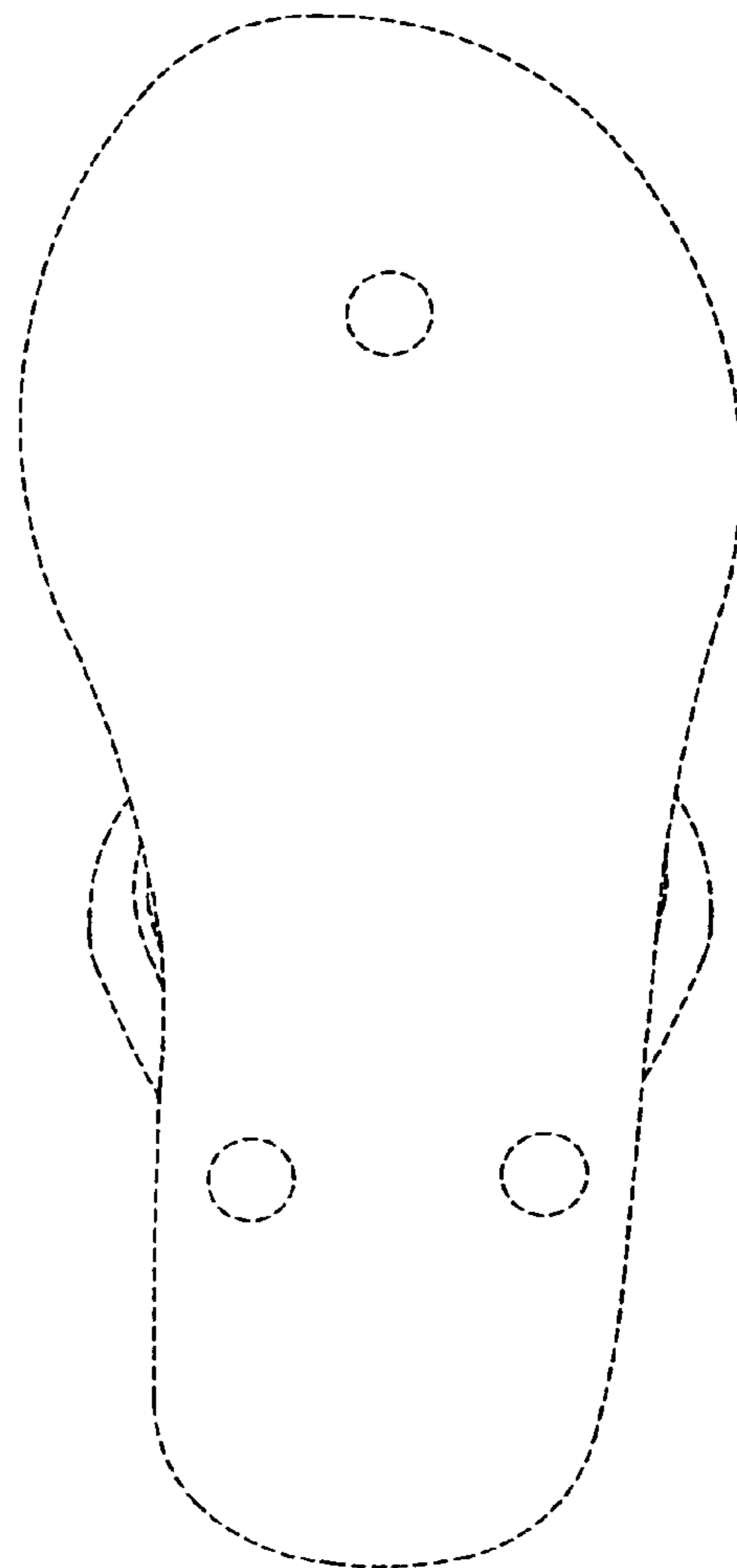


FIG. 8