



US00D671705S

(12) **United States Design Patent**  
**Edmondson**

(10) **Patent No.:** **US D671,705 S**

(45) **Date of Patent:** **\*\* Nov. 27, 2012**

(54) **DRAWER SAFE**

(76) Inventor: **Steve Edmondson**, Rossmoor, CA (US)

(\*\*) Term: **14 Years**

(21) Appl. No.: **29/393,330**

(22) Filed: **Jun. 2, 2011**

(51) **LOC (9) Cl.** ..... **06-04**

(52) **U.S. Cl.** ..... **D99/28**

(58) **Field of Classification Search** ..... D99/28,  
D99/34, 35, 29, 33, 36, 43, 99; 109/1 V,  
109/2, 45, 1 R; 902/9, 30; 235/100; 206/317,  
206/527; 312/400, 409

See application file for complete search history.

(56) **References Cited**

**U.S. PATENT DOCUMENTS**

392,682	A *	11/1888	McNamara	.....	220/8
2,755,748	A *	7/1956	Abell, Jr.	.....	109/52
3,988,909	A *	11/1976	Catapano	.....	70/63
4,348,967	A *	9/1982	Schattner et al.	.....	109/51
D393,526	S *	4/1998	Robey et al.	.....	D99/28
D395,746	S *	7/1998	Barackman	.....	D3/201
D426,059	S *	6/2000	Siler et al.	.....	D3/294
6,292,960	B1 *	9/2001	Bowling	.....	5/308
6,405,861	B1 *	6/2002	Siler et al.	.....	206/317

(Continued)

*Primary Examiner* — Elizabeth J Oswecki

(74) *Attorney, Agent, or Firm* — QuickPatents; Kevin Prince

(57) **CLAIM**

The ornamental design for a drawer safe, as shown and described.

**DESCRIPTION**

FIG. 1 is a perspective view of a drawer safe showing my new design;

FIG. 2 is a front elevational view thereof;

FIG. 3 is a top plan view thereof;

FIG. 4 is a bottom plan view thereof;

FIG. 5 is a rear elevational view thereof;

FIG. 6 is a left-side elevational view thereof;

FIG. 7 is a right-side elevational view thereof;

FIG. 8 is a perspective view of the drawer shown separately for ease of illustration;

FIG. 9 is a front elevational view of FIG. 8;

FIG. 10 is a top plan view of FIG. 8;

FIG. 11 is a bottom plan view of FIG. 8;

FIG. 12 is a rear elevational view of FIG. 8;

FIG. 13 is a left-side elevational view of FIG. 8;

FIG. 14 is a right-side elevational view of FIG. 8;

FIG. 15 is a perspective view of the safe enclosure shown separately for ease of illustration;

FIG. 16 is a front elevational view of FIG. 15;

FIG. 17 is a top plan view of FIG. 15;

FIG. 18 is a bottom plan view of FIG. 15;

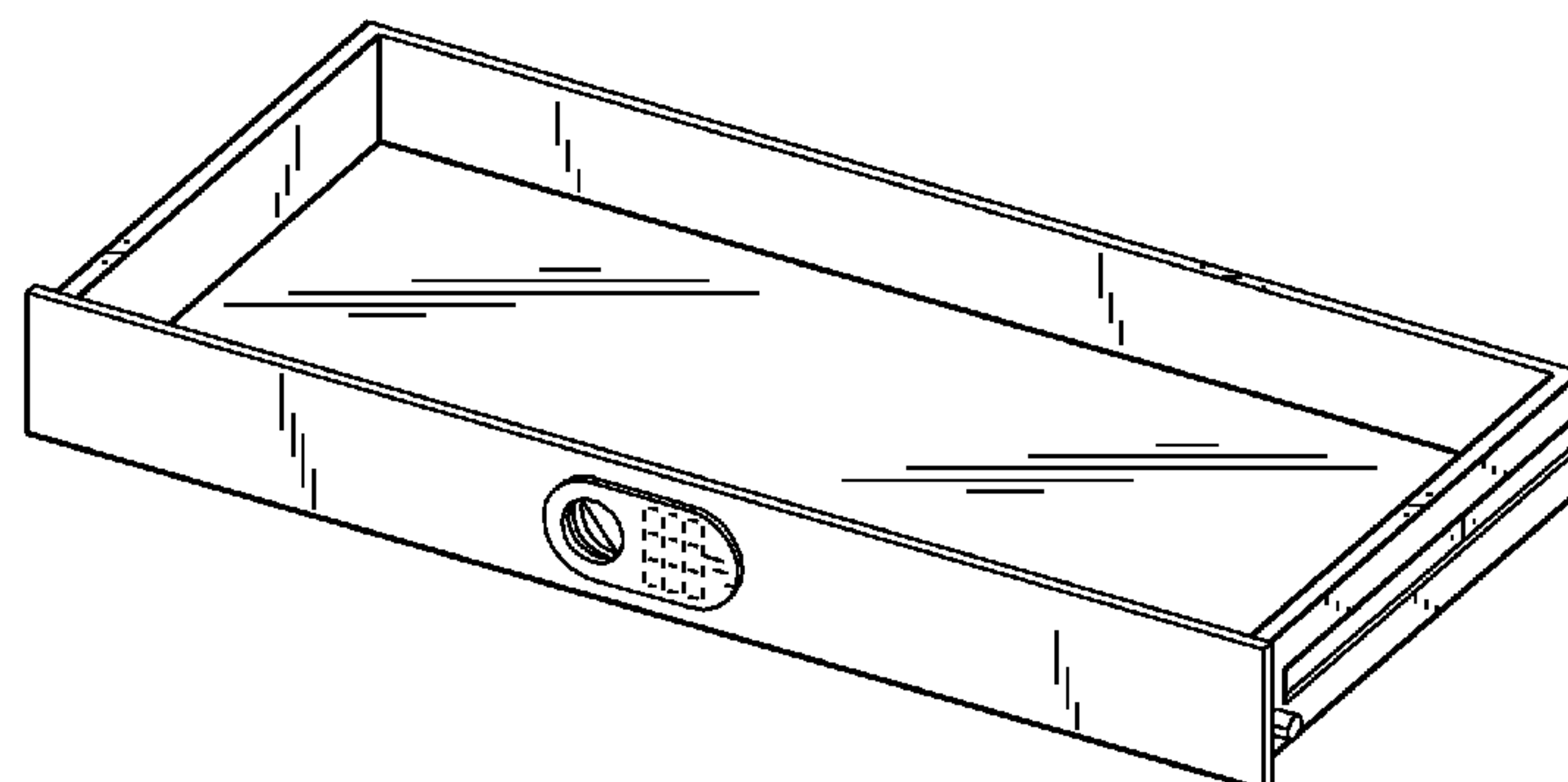
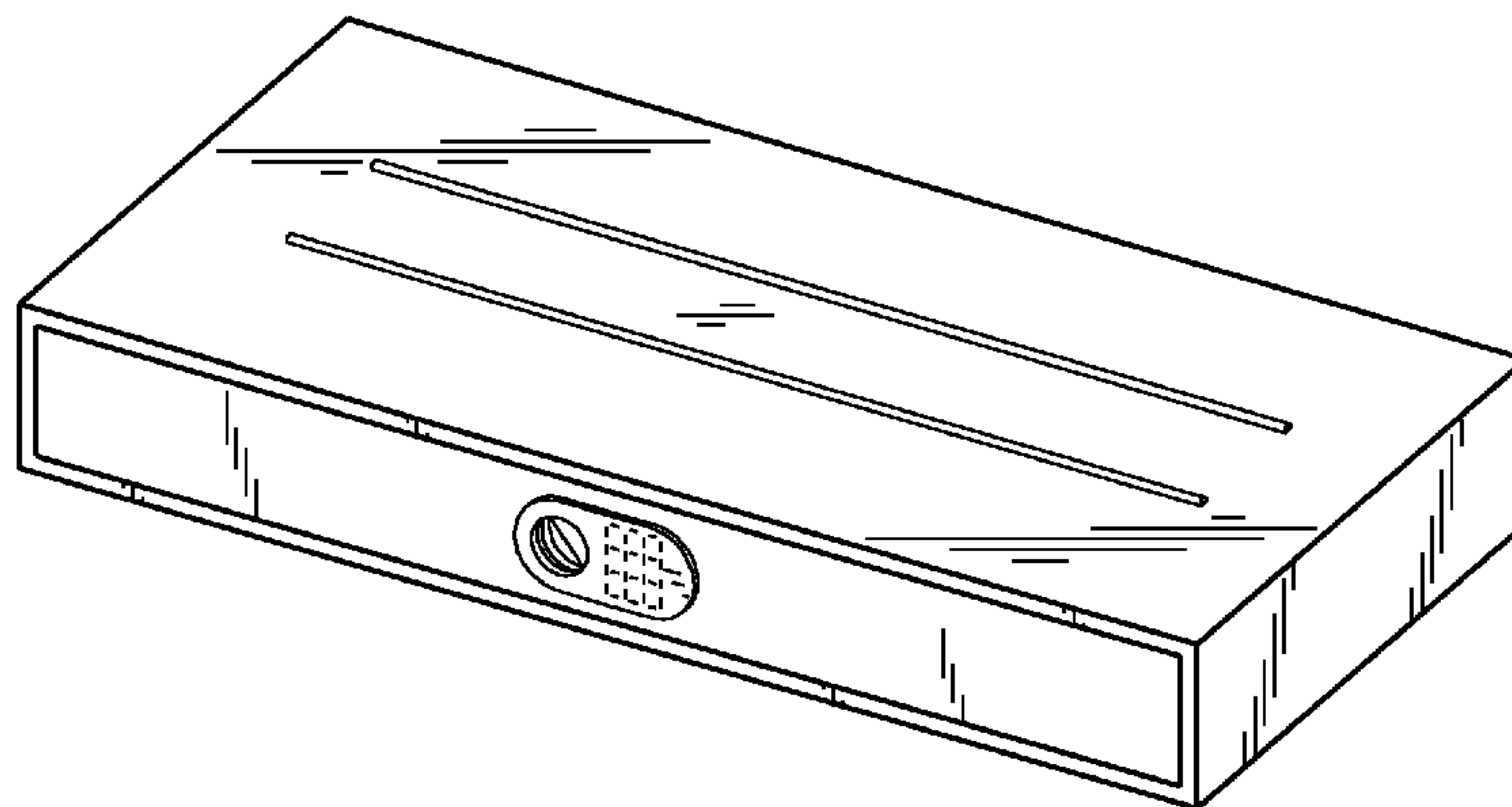
FIG. 19 is a rear elevational view of FIG. 15;

FIG. 20 is a left-side elevational view of FIG. 15; and,

FIG. 21 is a right-side elevational view of FIG. 15.

The broken lines in the figures represent environmental matter, and form no part of the claimed design.

**1 Claim, 6 Drawing Sheets**



# US D671,705 S

Page 2

---

## U.S. PATENT DOCUMENTS

D461,617 S *	8/2002	Gardner .....	D99/28	D572,425 S *	7/2008	Themistos .....	D99/28
D528,164 S *	9/2006	Orcutt .....	D19/92	D586,975 S *	2/2009	Knox .....	D99/28
D541,045 S *	4/2007	Peart et al. ....	D3/291	D617,525 S *	6/2010	Taylor et al. ....	D99/28
D542,529 S *	5/2007	Peart et al. ....	D3/276	D617,974 S *	6/2010	Alfeld, Sr. ....	D99/28
D558,977 S *	1/2008	Peart et al. ....	D3/294	D624,275 S *	9/2010	Min .....	D99/28
D561,994 S *	2/2008	Peart et al. ....	D3/291	D635,324 S *	3/2011	Plato .....	D99/28
D569,073 S *	5/2008	Osiecki et al. ....	D99/28	7,918,362 B2 *	4/2011	Schmitt .....	220/665
D570,074 S *	5/2008	Osiecki et al. ....	D99/28	D651,785 S *	1/2012	Martin et al. ....	D99/28
D571,524 S *	6/2008	Kang et al. ....	D99/28				

\* cited by examiner

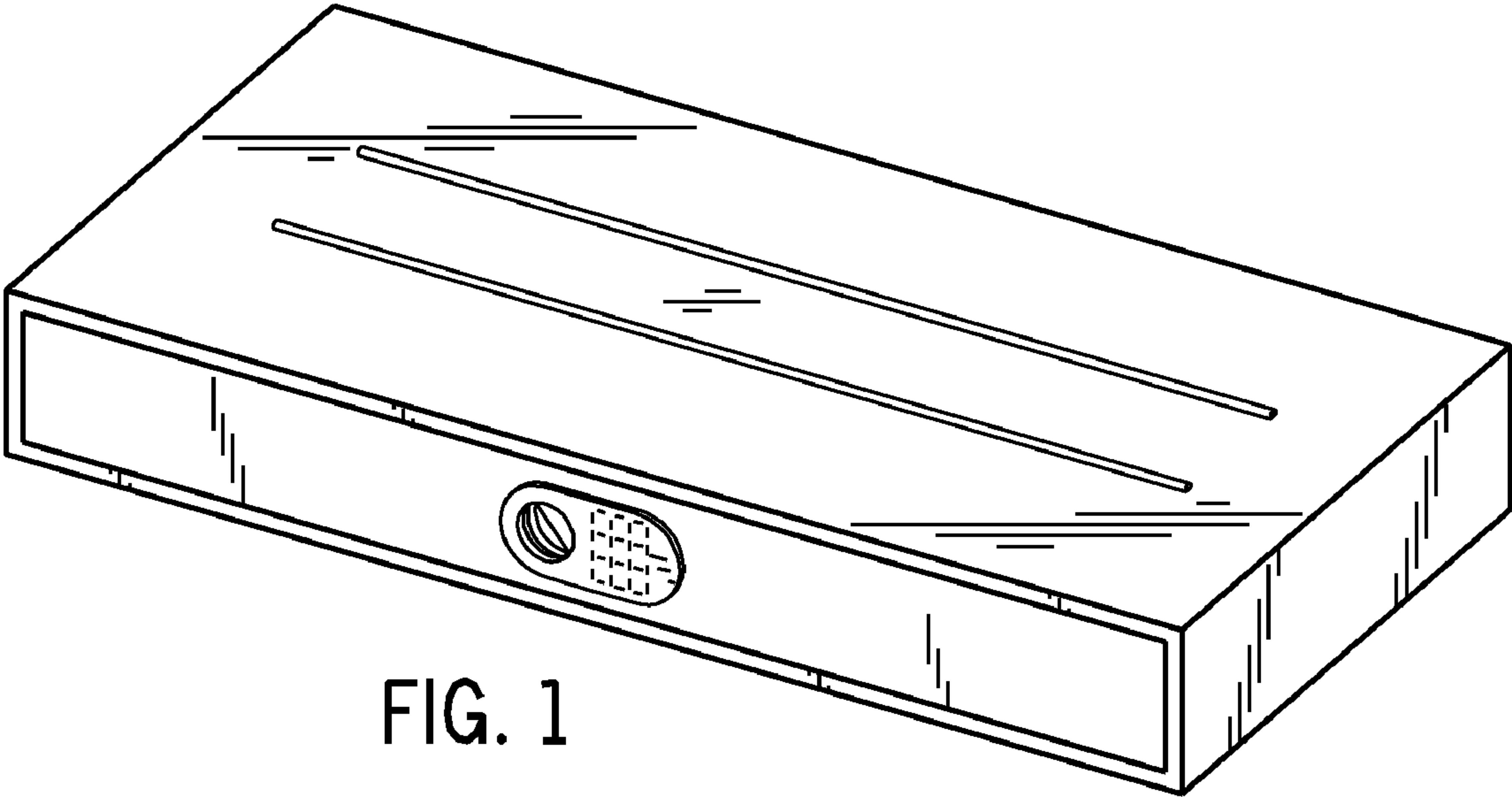


FIG. 1

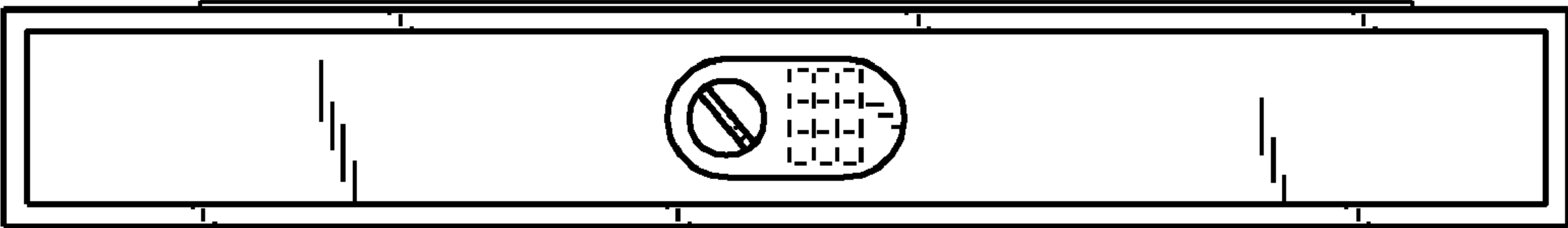


FIG. 2

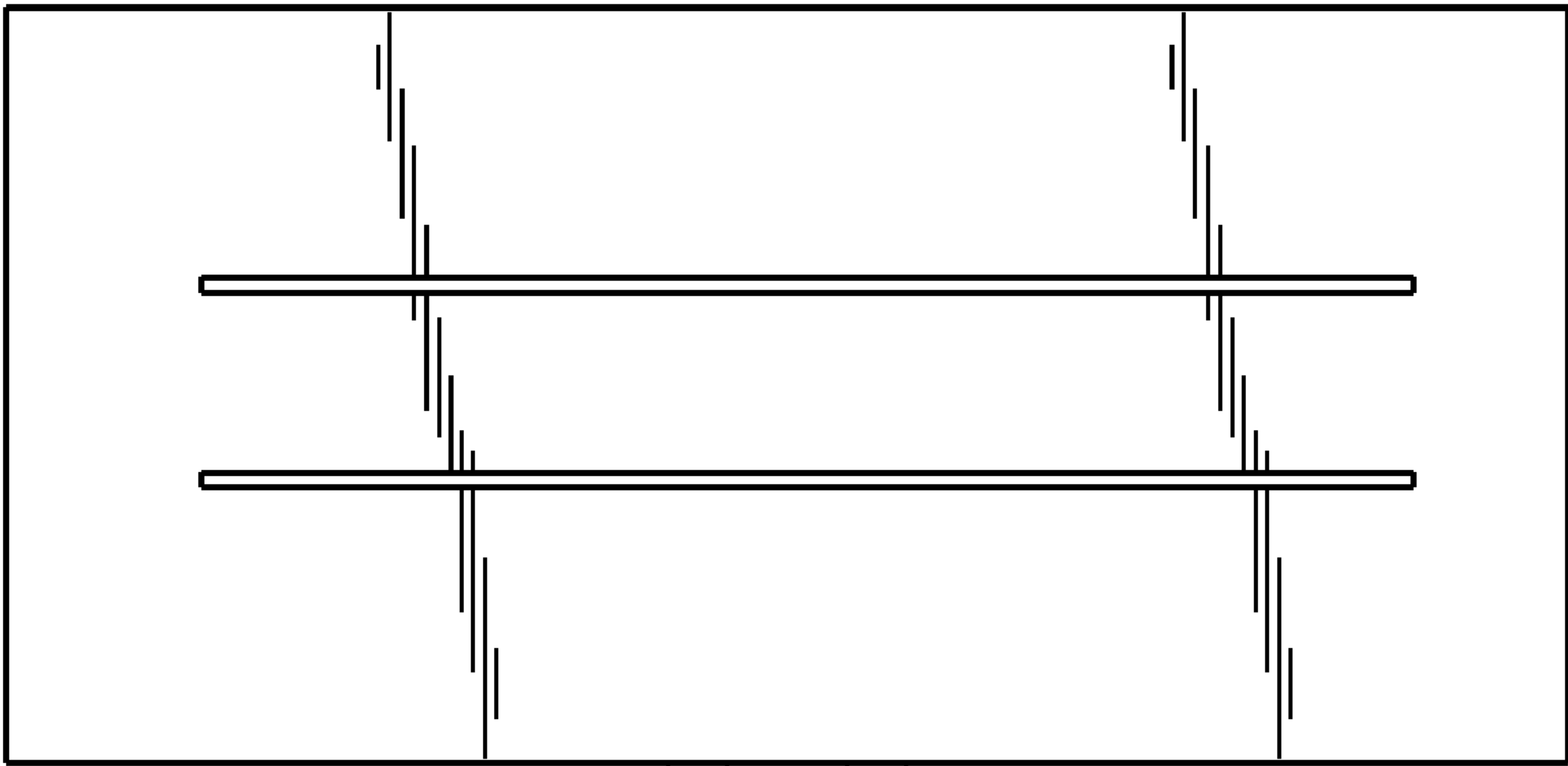


FIG. 3



FIG. 4

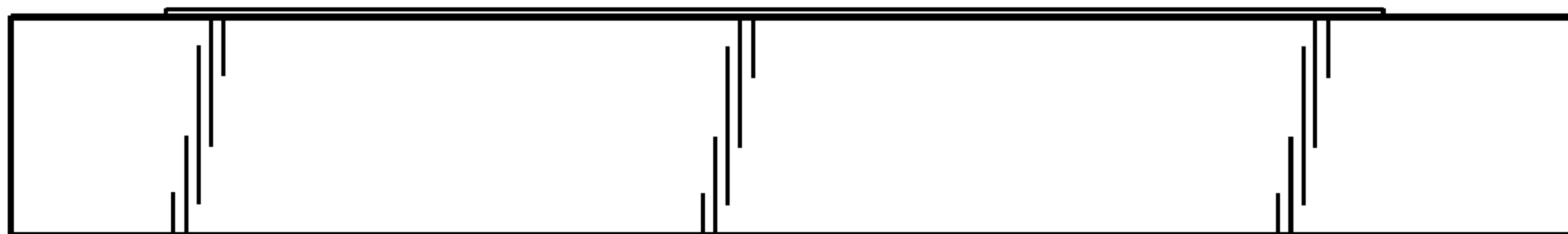


FIG. 5



FIG. 6



FIG. 7

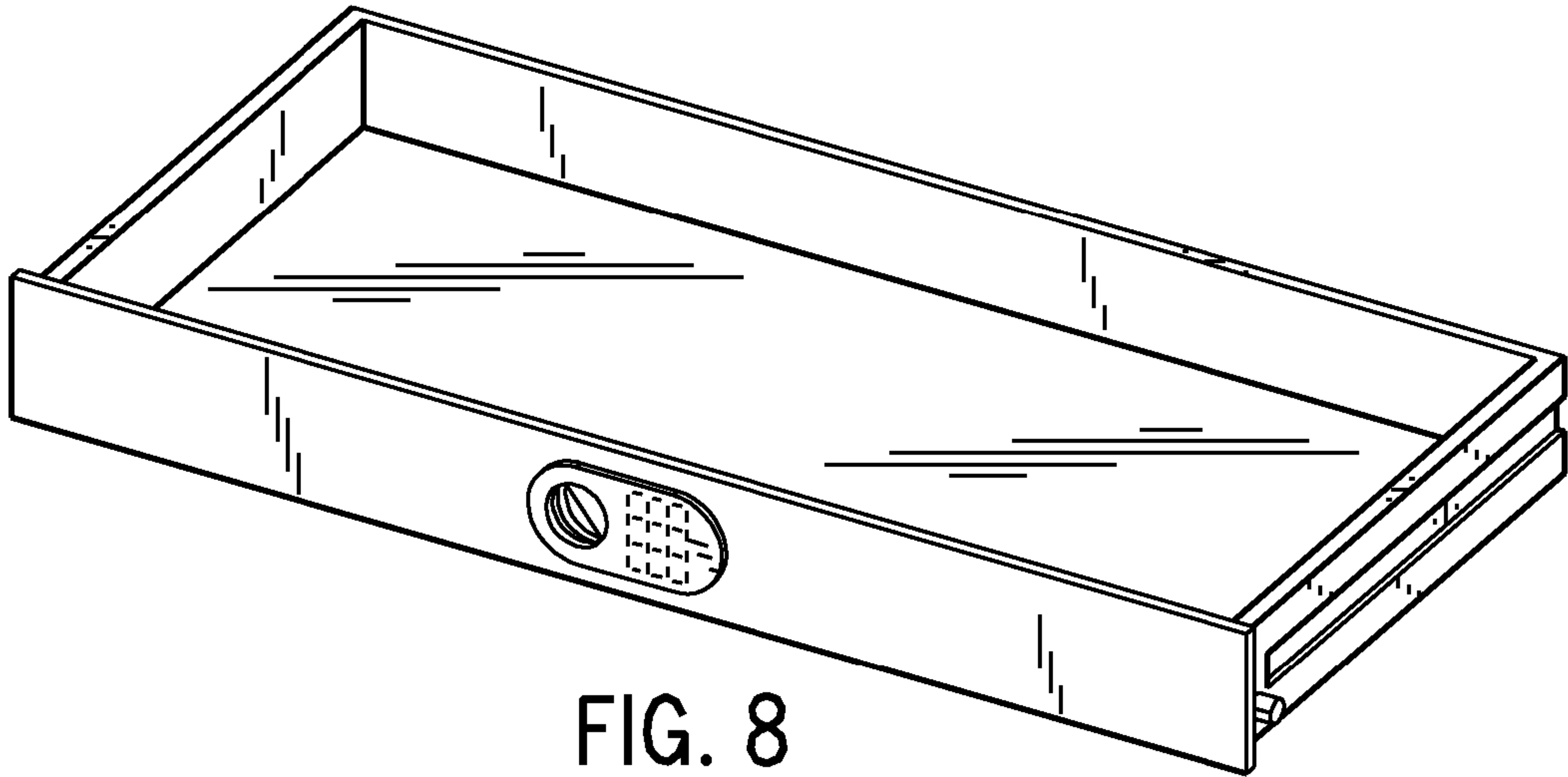


FIG. 8

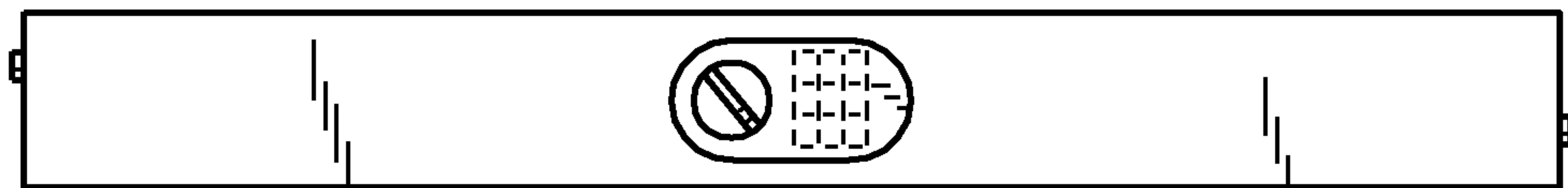


FIG. 9

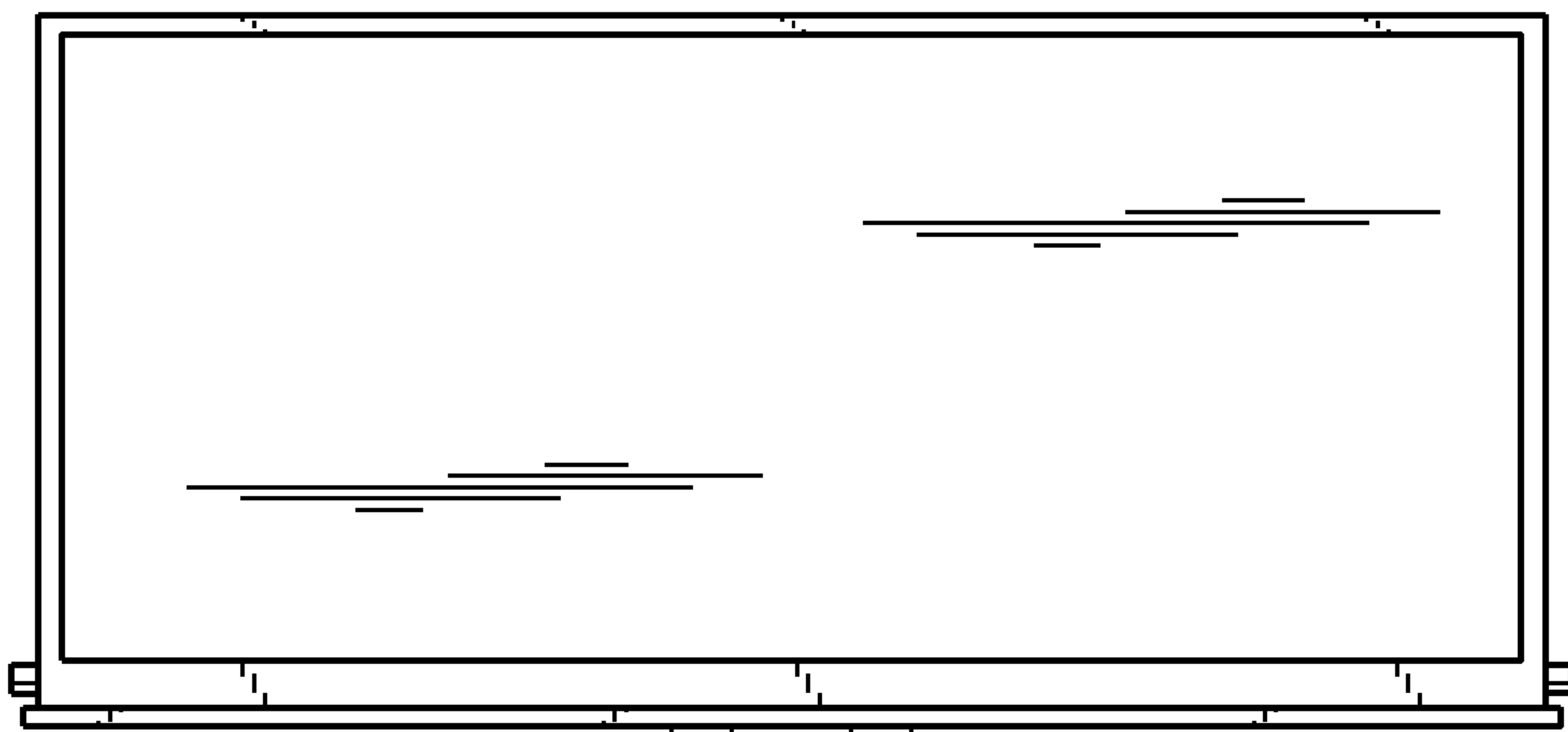


FIG. 10



FIG. 11

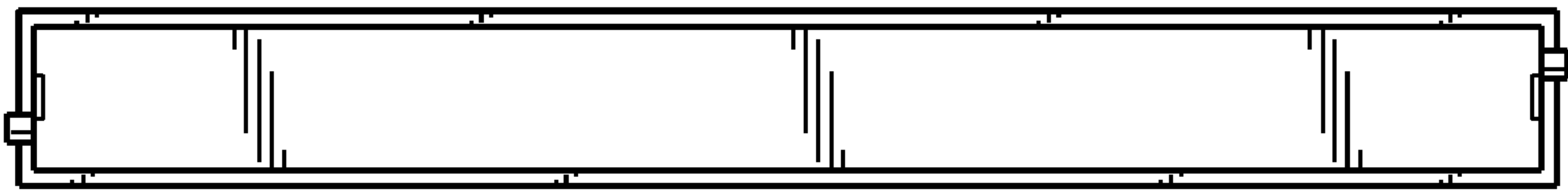


FIG. 12

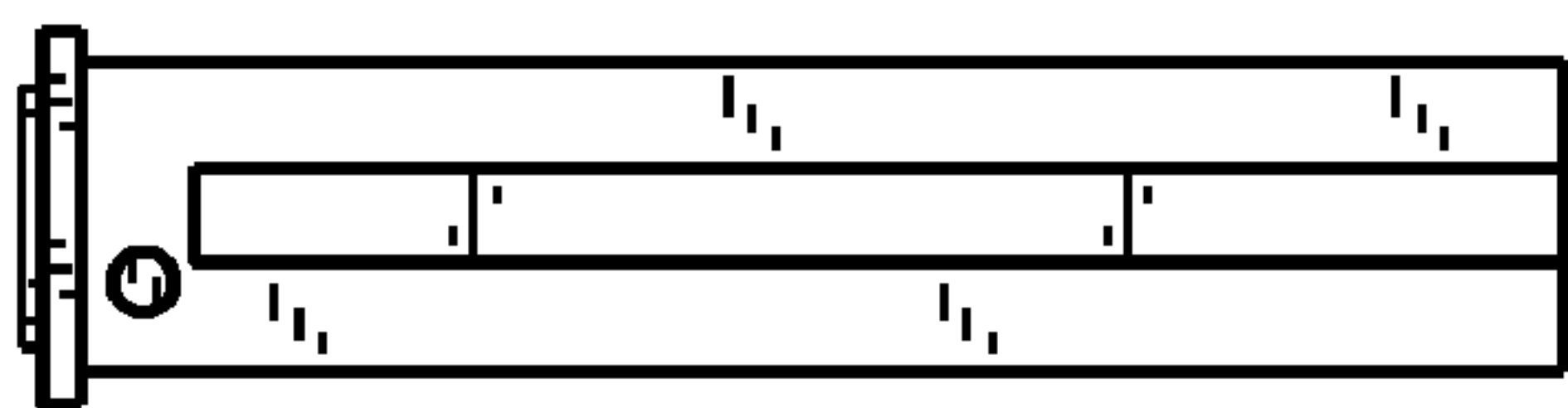


FIG. 13

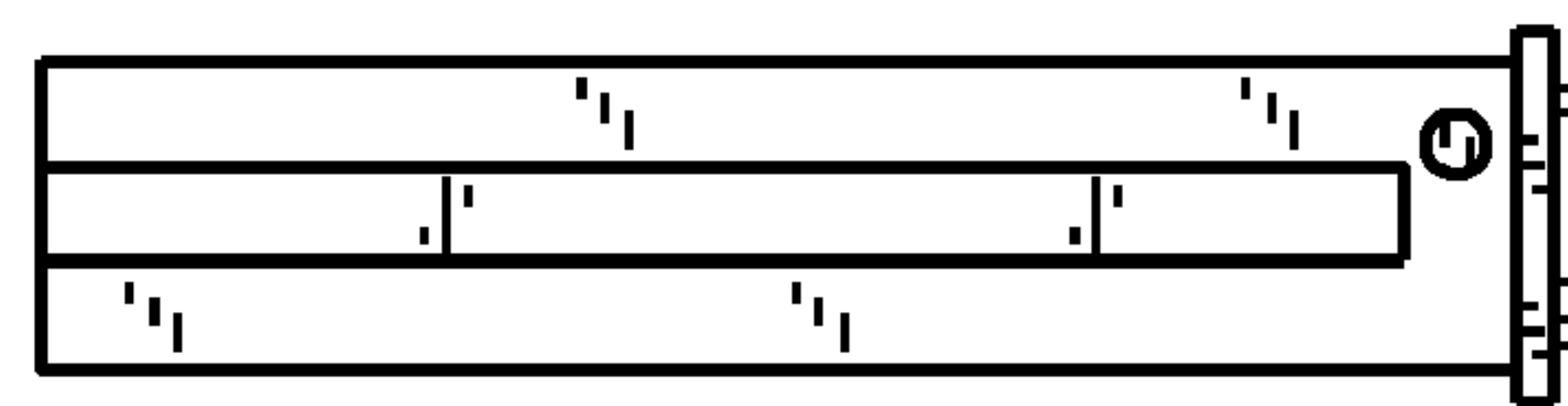


FIG. 14

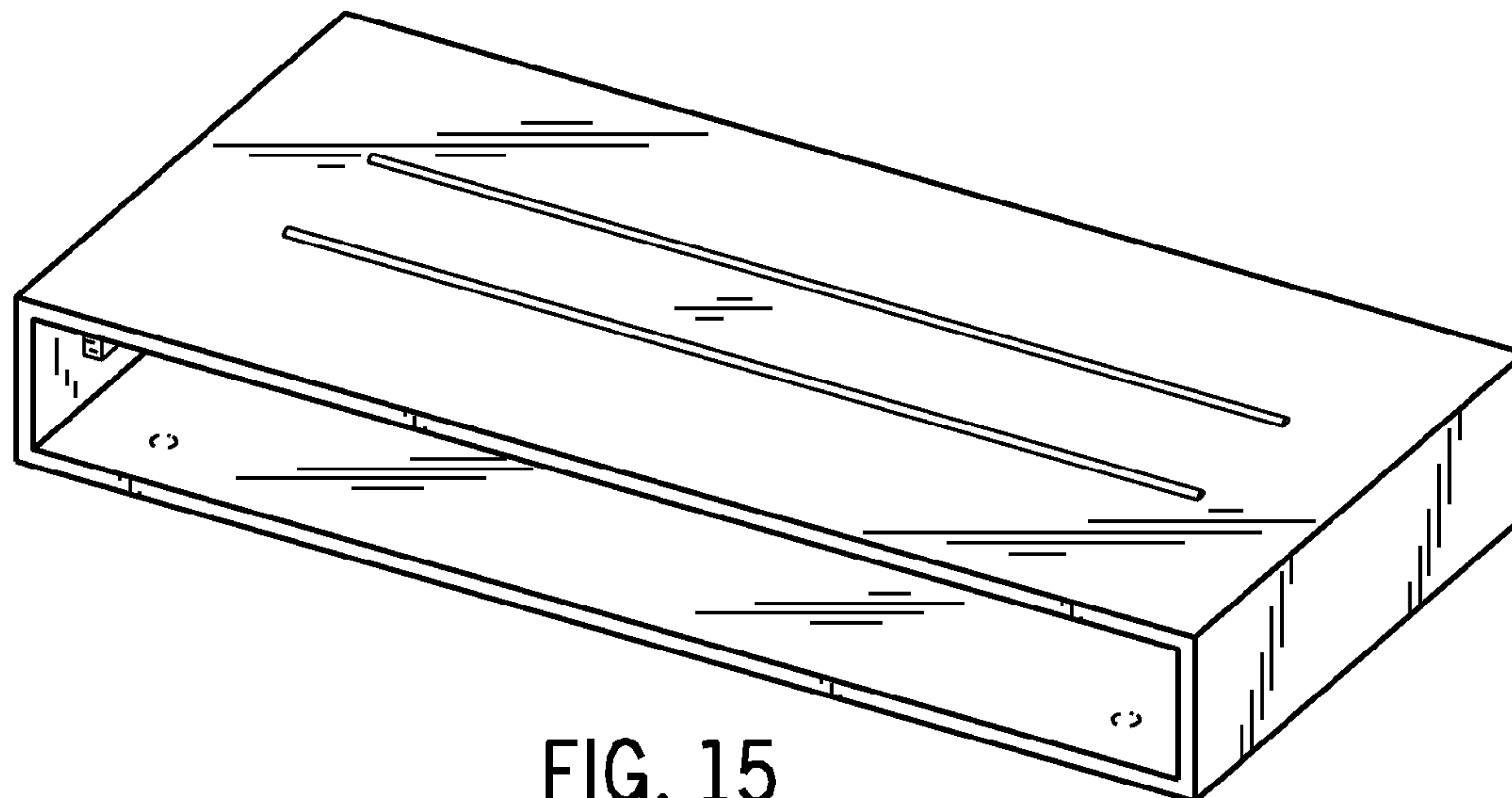


FIG. 15

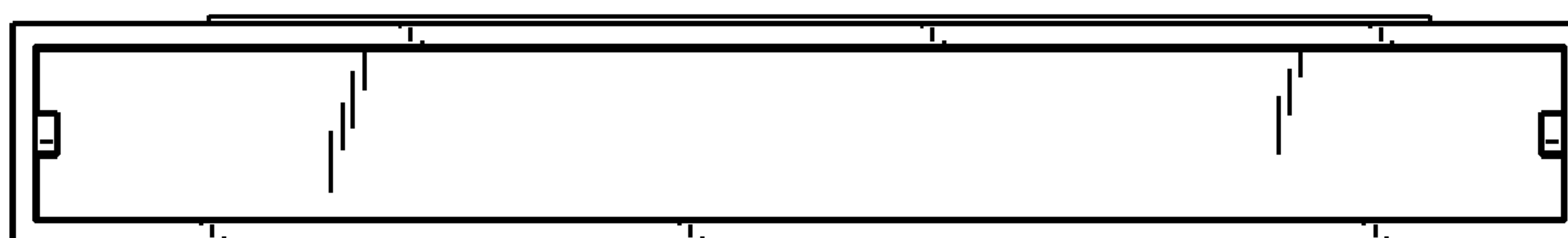


FIG. 16



FIG. 17

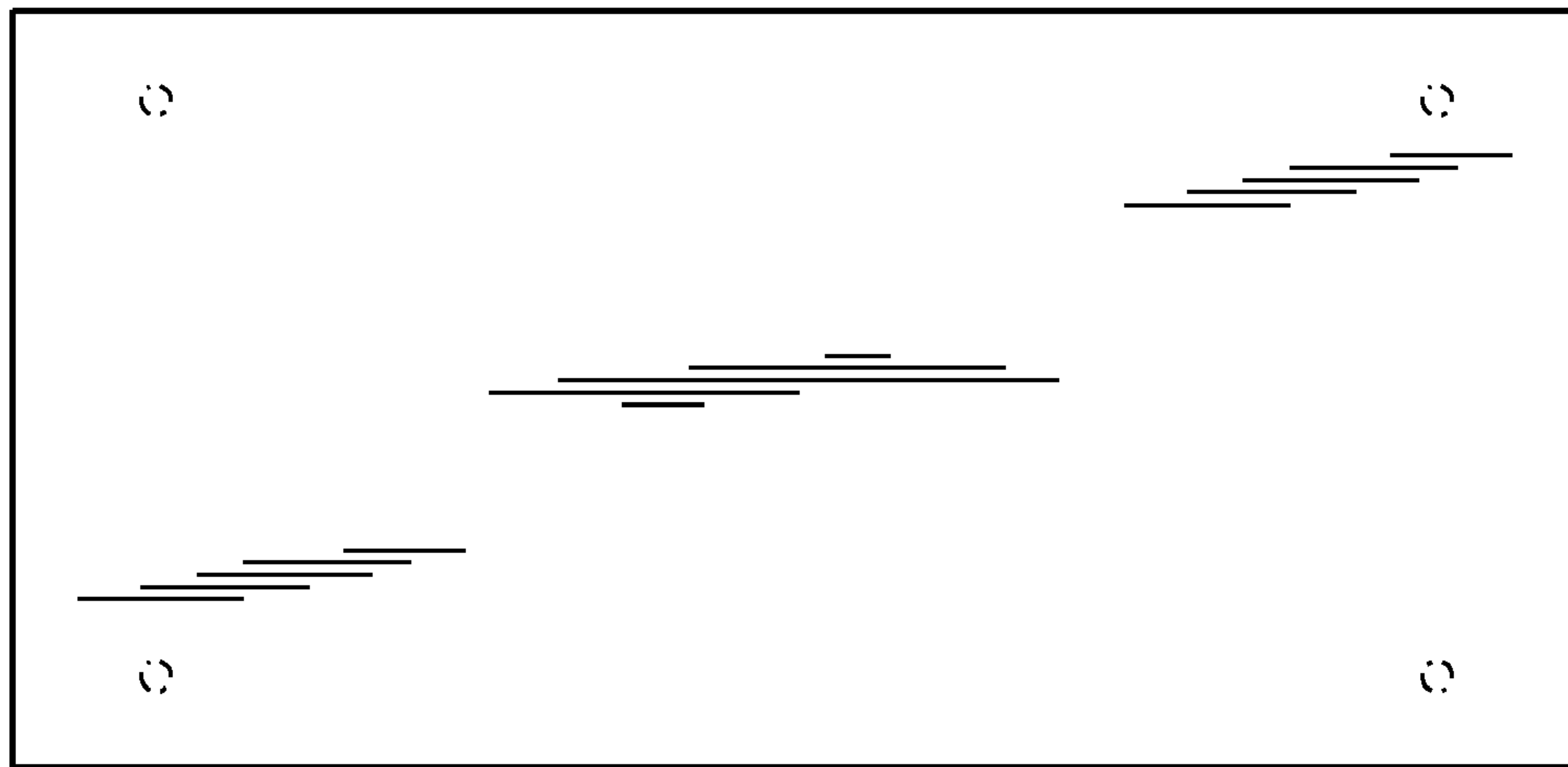


FIG. 18

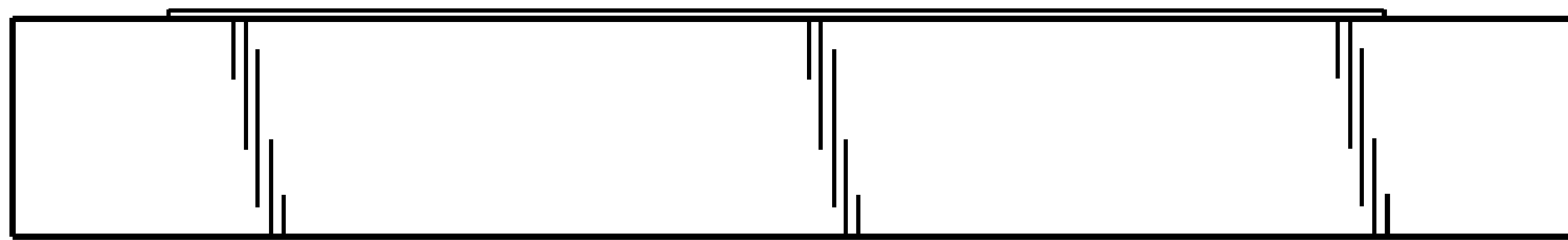


FIG. 19

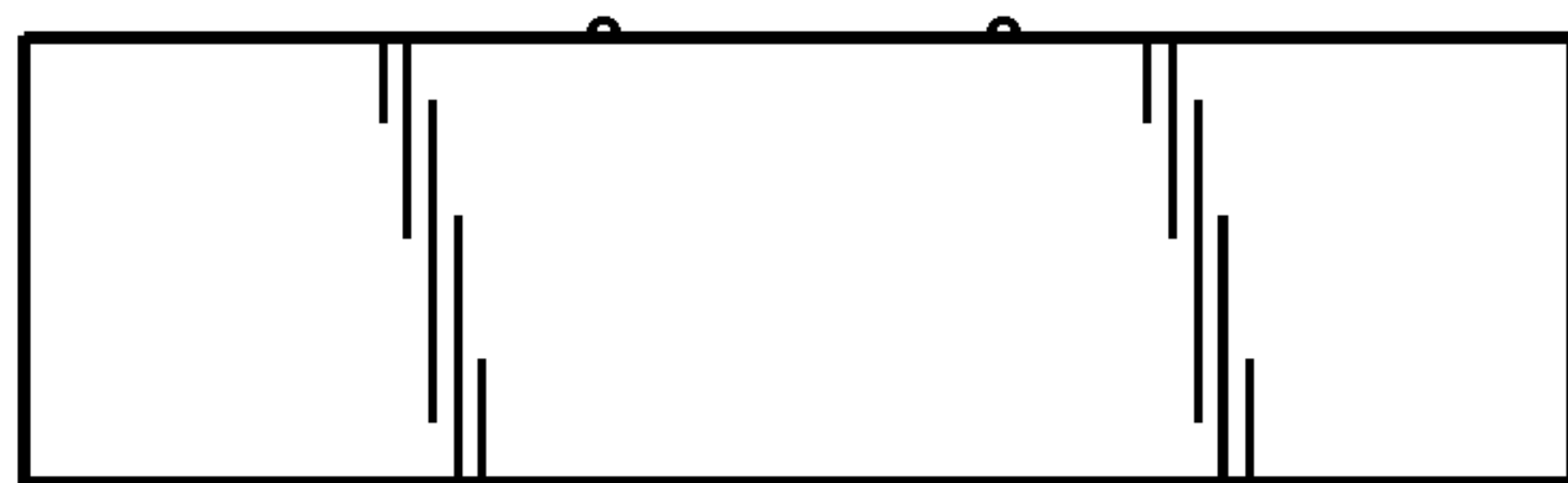


FIG. 20



FIG. 21