



US00D671704S

(12) **United States Design Patent**
Cooper

(10) **Patent No.:** **US D671,704 S**
(45) **Date of Patent:** **** Nov. 27, 2012**

(54) **TRANSPORT DEVICE REMOVABLE BUCKET**

(76) Inventor: **Dale Cooper**, American Falls, ID (US)

(**) Term: **14 Years**

(21) Appl. No.: **29/425,272**

(22) Filed: **Jun. 21, 2012**

Related U.S. Application Data

(63) Continuation of application No. 13/420,396, filed on Mar. 14, 2012, and a continuation of application No. 29/415,817, filed on Mar. 14, 2012, and a continuation of application No. 13/314,345, filed on Dec. 8, 2011.

(51) **LOC (9) Cl.** **12-02**

(52) **U.S. Cl.** **D34/27**

(58) **Field of Classification Search** D34/12-26;
280/47.24, 47.26, 47.12, 47.18, 47.31, 641,
280/47.22, 47.131, 457.1; D15/17, 28, 27
See application file for complete search history.

3,751,058 A	8/1973	Larsen
3,875,981 A	4/1975	Brenner et al.
3,888,501 A	6/1975	McChesney
4,261,596 A	4/1981	Douglas
D261,125 S	10/1981	Gordon et al.
4,341,393 A	7/1982	Gordon et al.
4,350,356 A	9/1982	Crothers
4,362,309 A	12/1982	Stamper
4,471,996 A	9/1984	Primeau
4,570,961 A	2/1986	Chateaufneuf et al.
D361,191 S	8/1995	Kowalski et al.
5,445,397 A	8/1995	Evans
D370,326 S	5/1996	Chapman et al.
5,893,572 A	4/1999	Parks
5,906,381 A	5/1999	Hovatter
D456,971 S	5/2002	Abel
6,390,495 B1	5/2002	Cates
6,523,839 B2	2/2003	Simmons et al.
6,758,482 B2	7/2004	Stallbaumer
6,880,835 B2	4/2005	Tornabene et al.
6,945,545 B2	9/2005	Celli
7,168,712 B2	1/2007	Celli
7,823,906 B2	11/2010	Darling, III
2010/0013179 A1	1/2010	Zhijun

Primary Examiner — Cynthia Ramirez

(56) **References Cited**

U.S. PATENT DOCUMENTS

957,840 A	5/1910	Bjorklund
1,319,530 A	10/1919	Nies et al.
1,475,785 A	11/1923	Bergstrom
D175,069 S	7/1955	Gandola
2,797,125 A	6/1957	Vogler
2,992,011 A	7/1961	Becan
D199,053 S	9/1964	Brighton
D201,547 S	7/1965	Krueger, Jr.
3,262,713 A	7/1966	Crawford, Sr.
3,350,797 A	11/1967	Dassinger
3,418,005 A	12/1968	Allina
D222,243 S	10/1971	Young

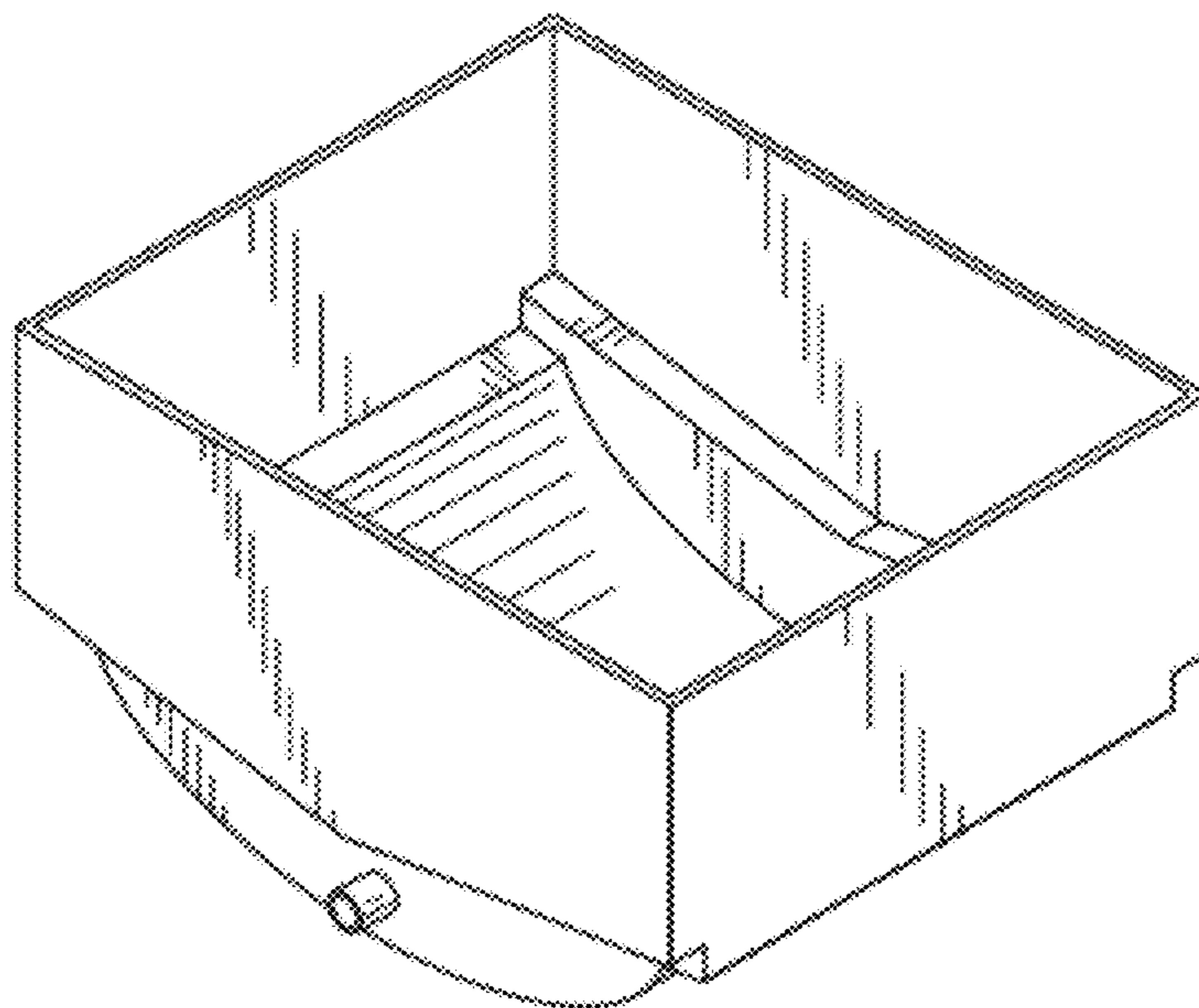
(57) **CLAIM**

The ornamental design for a transport device removable bucket, as shown and described.

DESCRIPTION

FIG. 1 is a front perspective view of a transport device removable bucket of the presently claimed design. FIG. 2 is a side view of the presently claimed design. FIG. 3 is a side view opposite that shown in FIG. 2. FIG. 4 is a front view of the presently claimed design; and, FIG. 5 is a rear view of the presently claimed design.

1 Claim, 3 Drawing Sheets



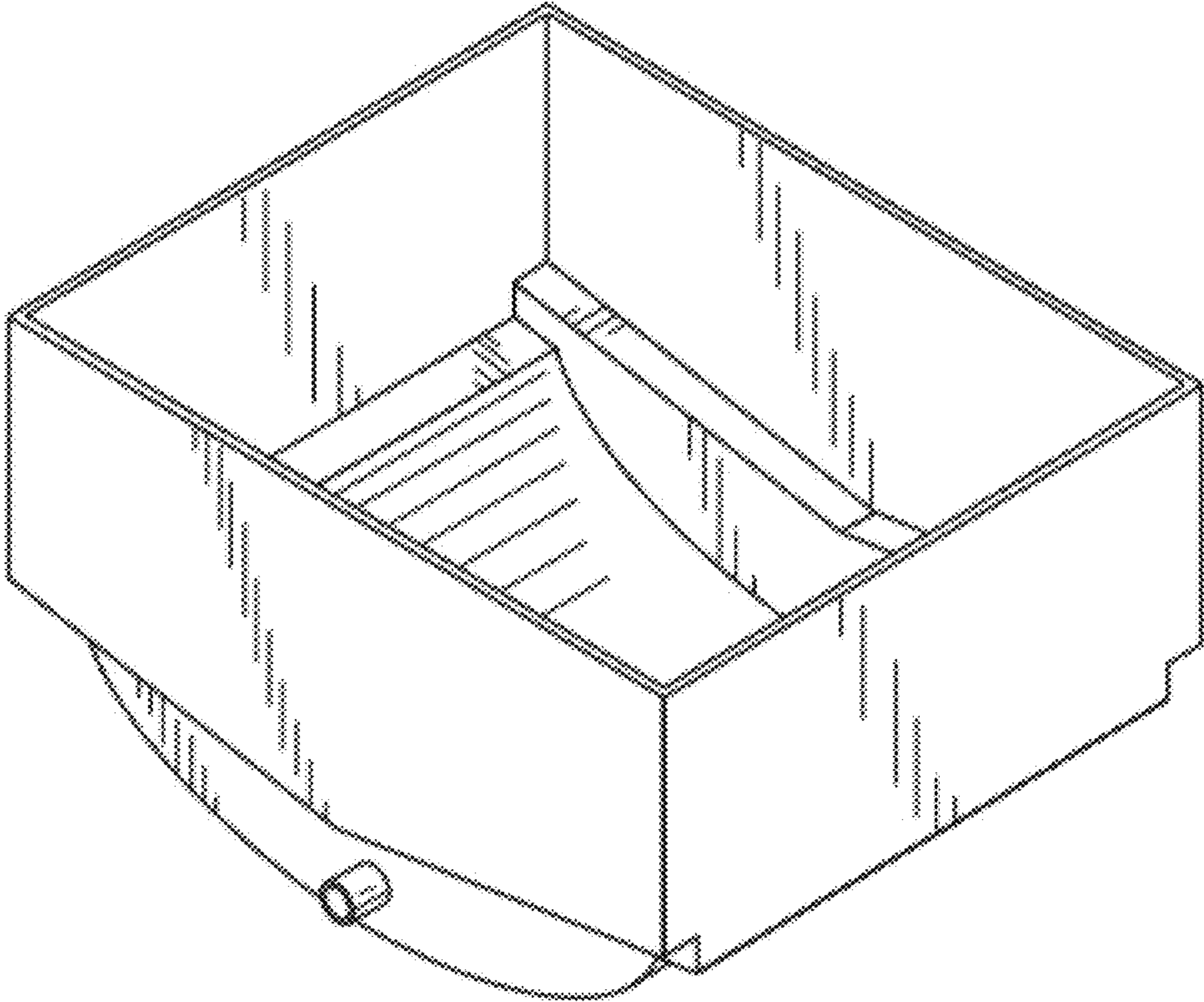


FIG. 1

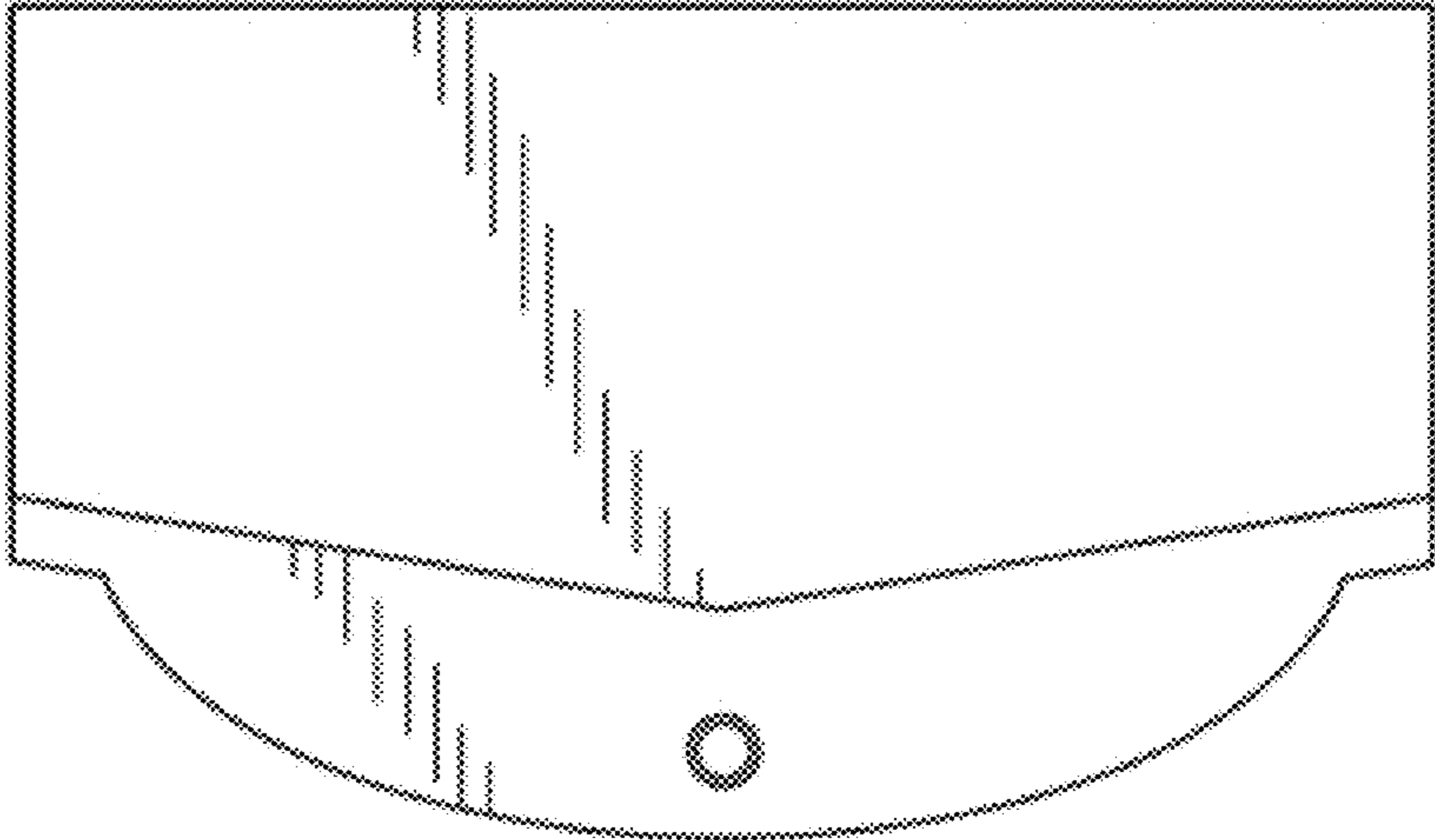


FIG. 2

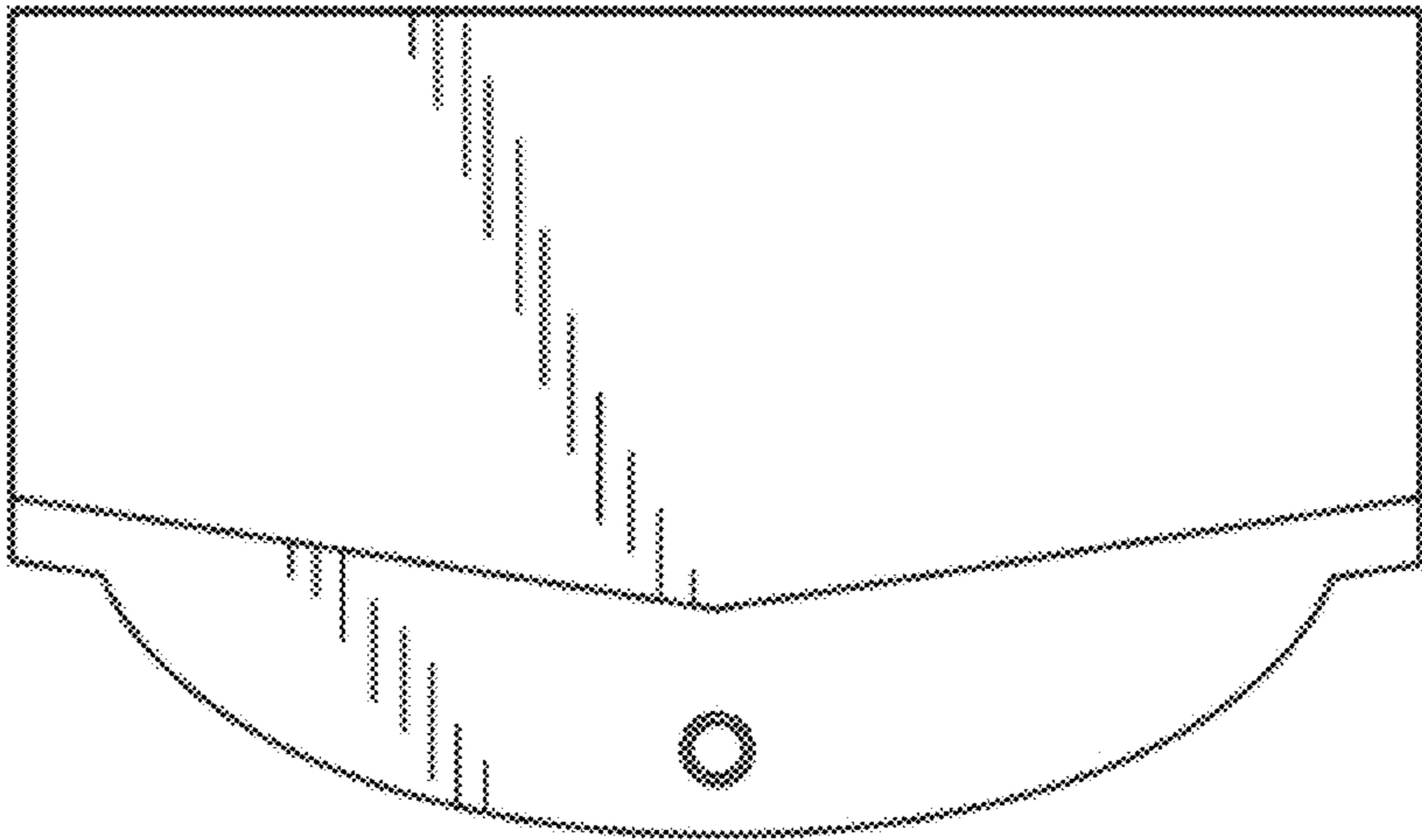


FIG. 3

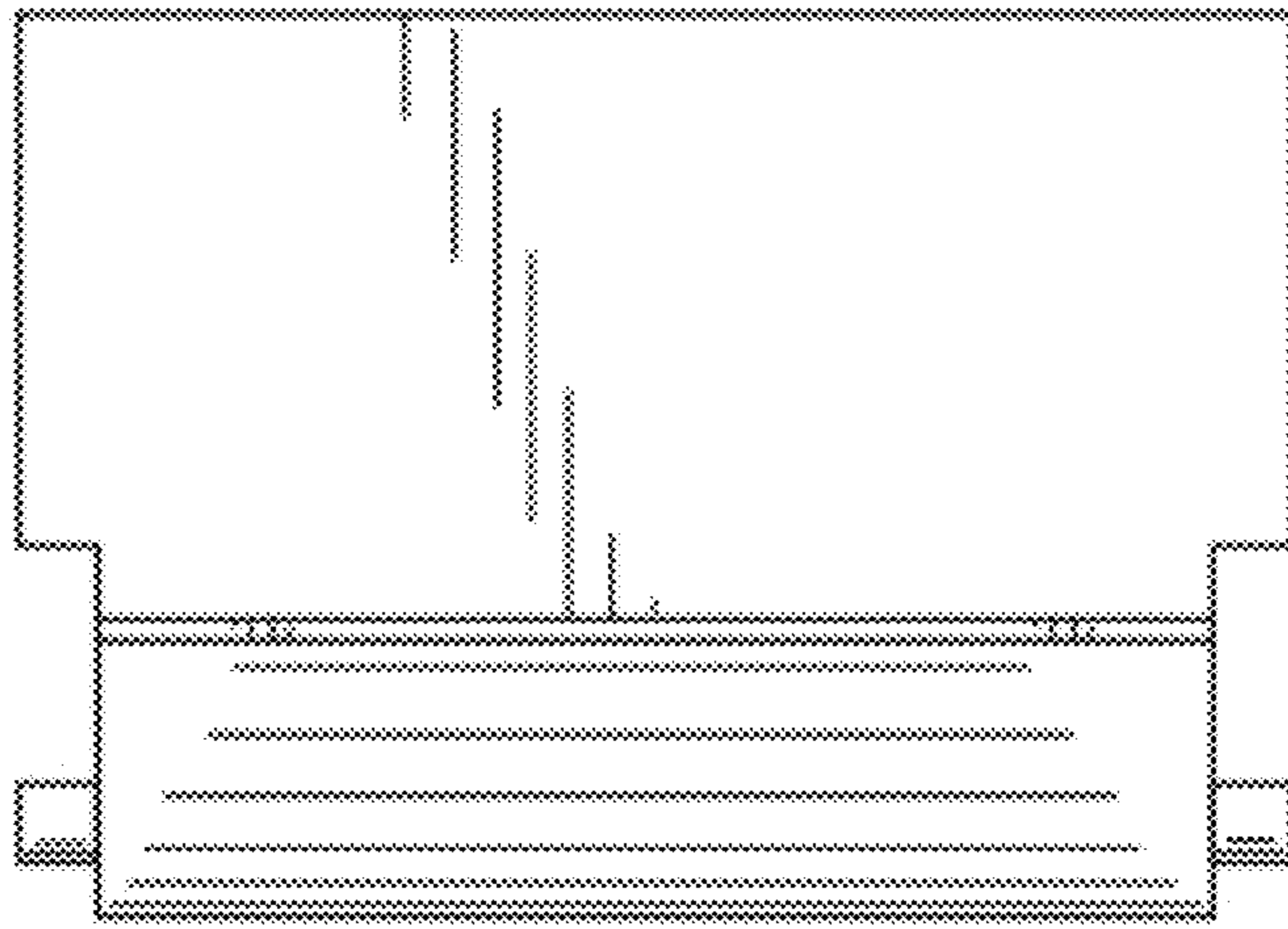


FIG. 4

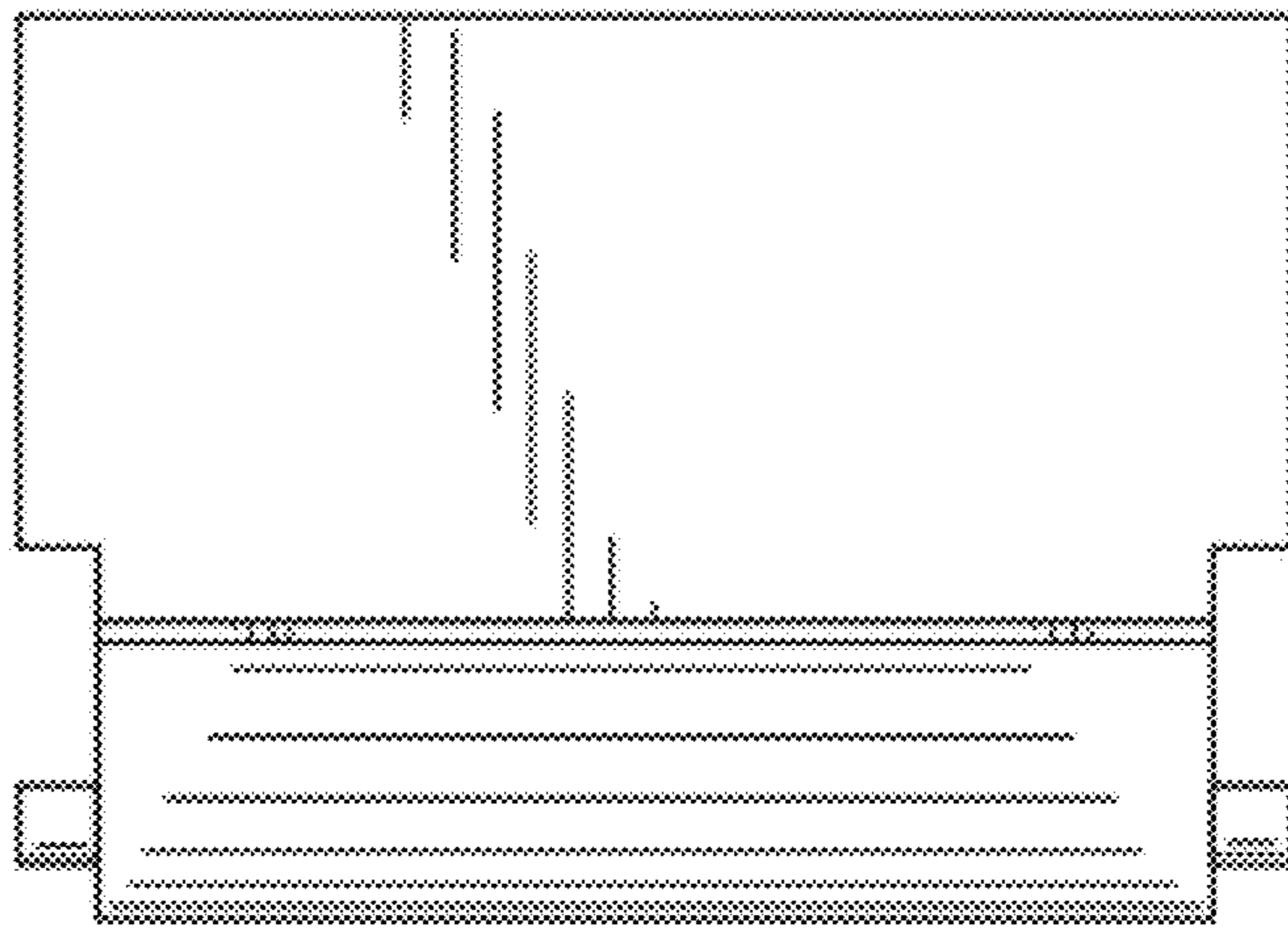


FIG. 5