



US00D671703S

(12) **United States Design Patent**  
**Guasta et al.**

(10) **Patent No.:** **US D671,703 S**

(45) **Date of Patent:** **\*\* Nov. 27, 2012**

(54) **COMPUTER CART**

(75) Inventors: **Jack Guasta**, Glendale Heights, IL  
(US); **Morad Ghassemian**, Oak Park, IL  
(US)

(73) Assignee: **Bretford Manufacturing Inc.**, Franklin  
Park, IL (US)

(\*\*) Term: **14 Years**

(21) Appl. No.: **29/412,423**

(22) Filed: **Feb. 2, 2012**

(51) **LOC (9) Cl.** ..... **12-02**

(52) **U.S. Cl.** ..... **D34/19**

(58) **Field of Classification Search** ..... D34/12-27;  
D6/430; 280/47.35, 79.3; 312/351.11  
See application file for complete search history.

(56) **References Cited**

**U.S. PATENT DOCUMENTS**

D219,913 S *	2/1971	Malm et al. ....	D34/19
D323,051 S *	1/1992	Baggott .....	D34/19
D370,328 S *	5/1996	Mathews et al. ....	D34/19
5,765,742 A *	6/1998	Marks .....	227/132
6,068,356 A *	5/2000	Giuseppe .....	312/290
D535,452 S *	1/2007	Lim et al. ....	D34/19

D547,920 S *	7/2007	Kinsley et al. ....	D34/19
D556,416 S *	11/2007	Zorzo .....	D34/19
D559,496 S *	1/2008	Zorzo .....	D34/17
D604,022 S *	11/2009	Abel et al. ....	D34/17
D621,569 S *	8/2010	Linnell, Jr. ....	D34/19
2003/0141687 A1 *	7/2003	Wixted et al. ....	280/47.35
2005/0212239 A1 *	9/2005	Carter .....	280/47.35

\* cited by examiner

*Primary Examiner* — Cynthia Ramirez

(74) *Attorney, Agent, or Firm* — Anderson Gorecki &  
Rouille LLP

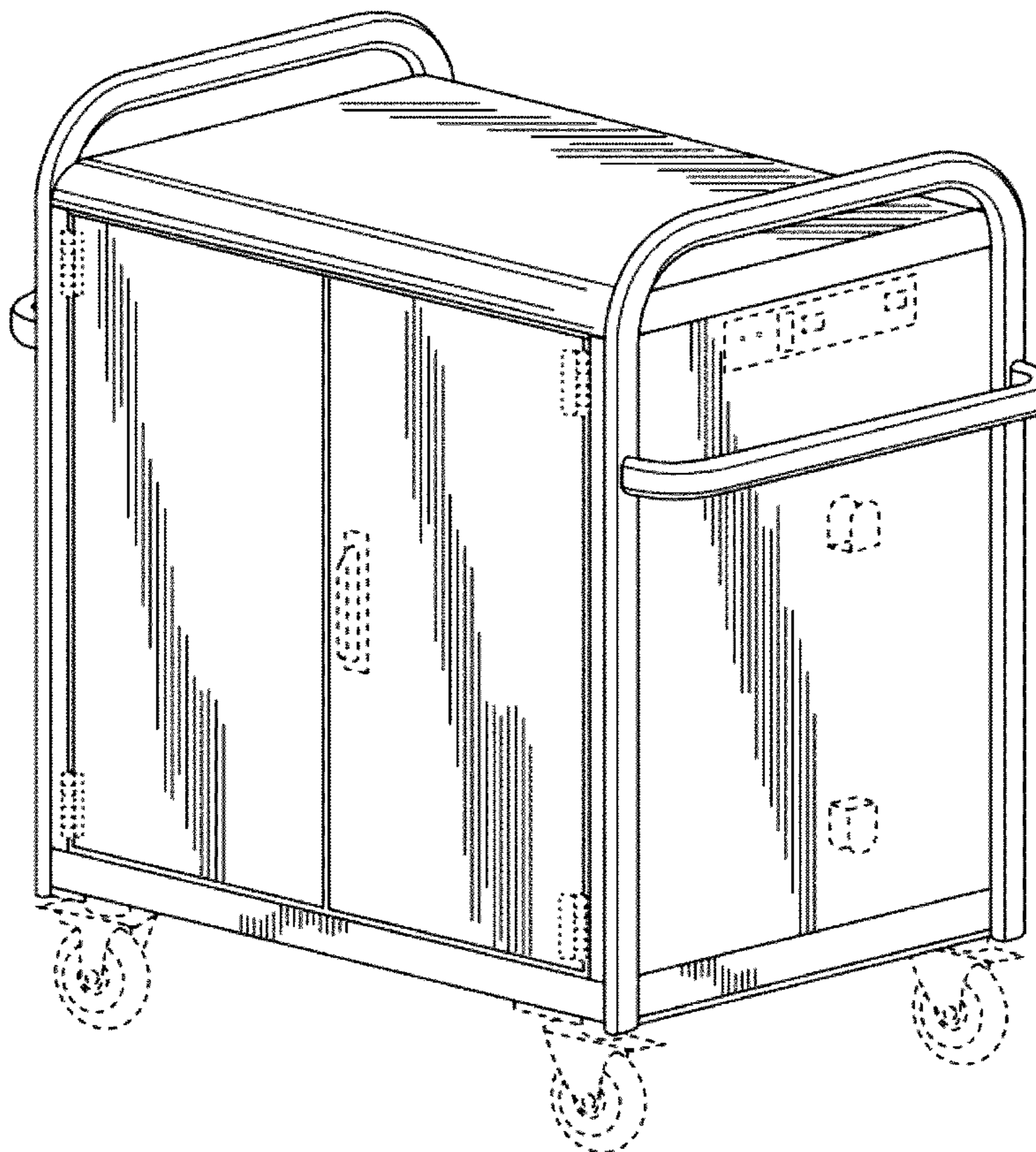
(57) **CLAIM**

The ornamental design for a computer cart, as shown and  
described.

**DESCRIPTION**

FIG. 1 is a front perspective view of a computer cart;  
FIG. 2 is a front view of the computer cart of FIG. 1;  
FIG. 3 is a rear view of the computer cart of FIG. 1;  
FIG. 4 is a left side of the computer cart of FIG. 1,  
FIG. 5 is a right side of the computer cart of FIG. 1,  
FIG. 6 is a top plan view of the computer cart of FIG. 1; and,  
FIG. 7 is a bottom plan view of the computer cart of FIG. 1.  
The broken lines shown in the drawings are for illustrative  
purposes only and form no part of the claimed design.

**1 Claim, 7 Drawing Sheets**



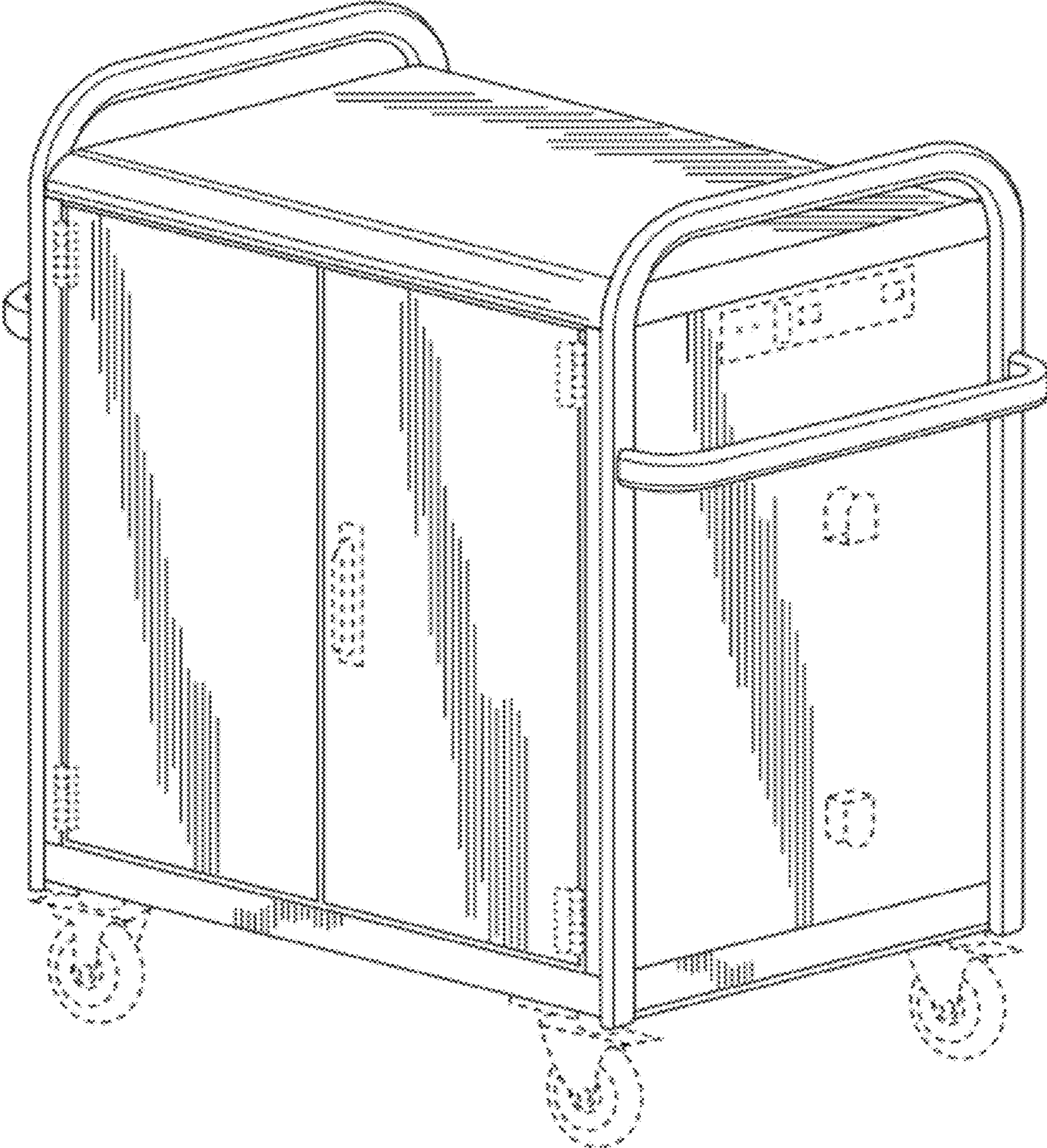


FIG. 1

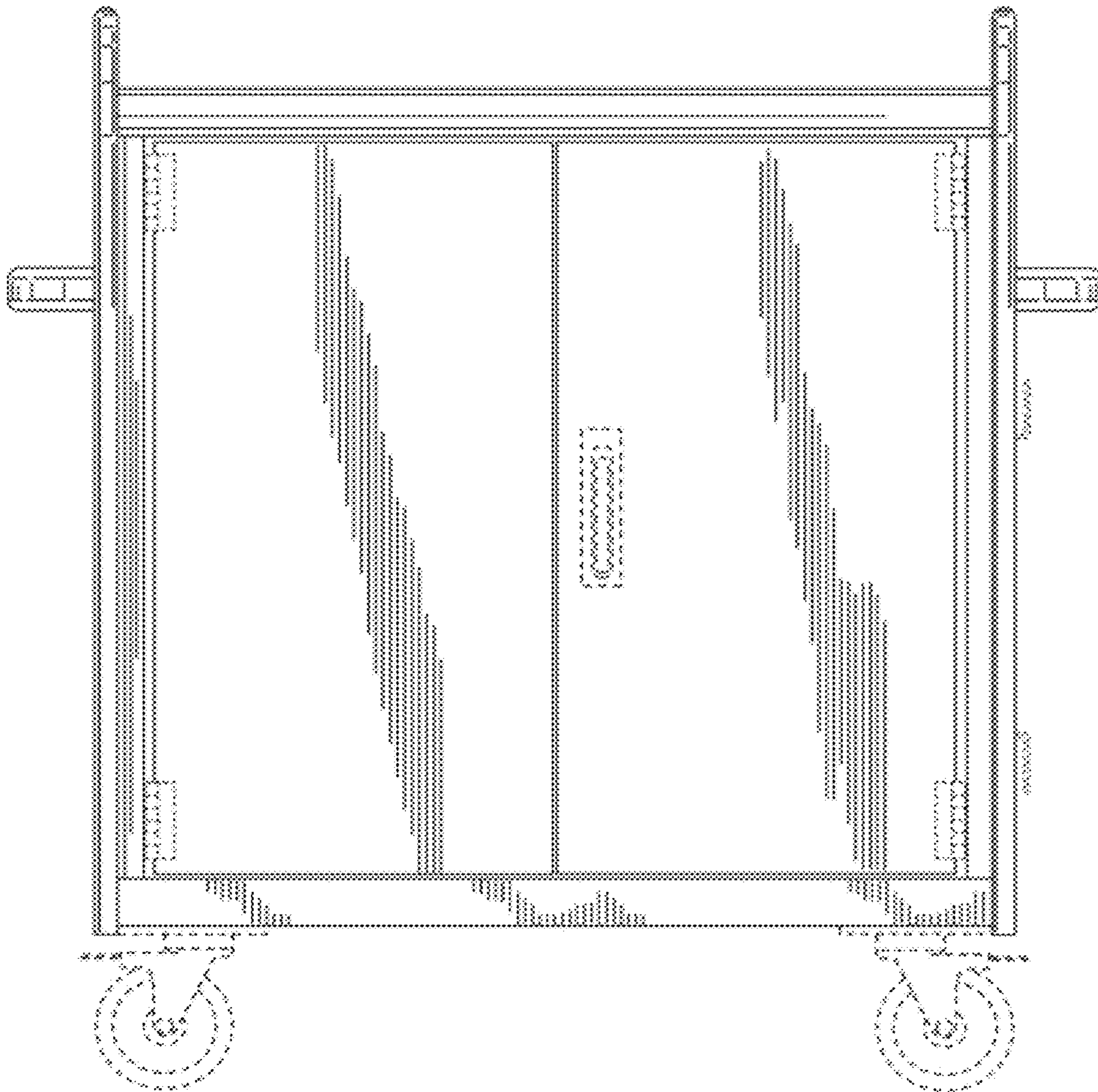


FIG. 2

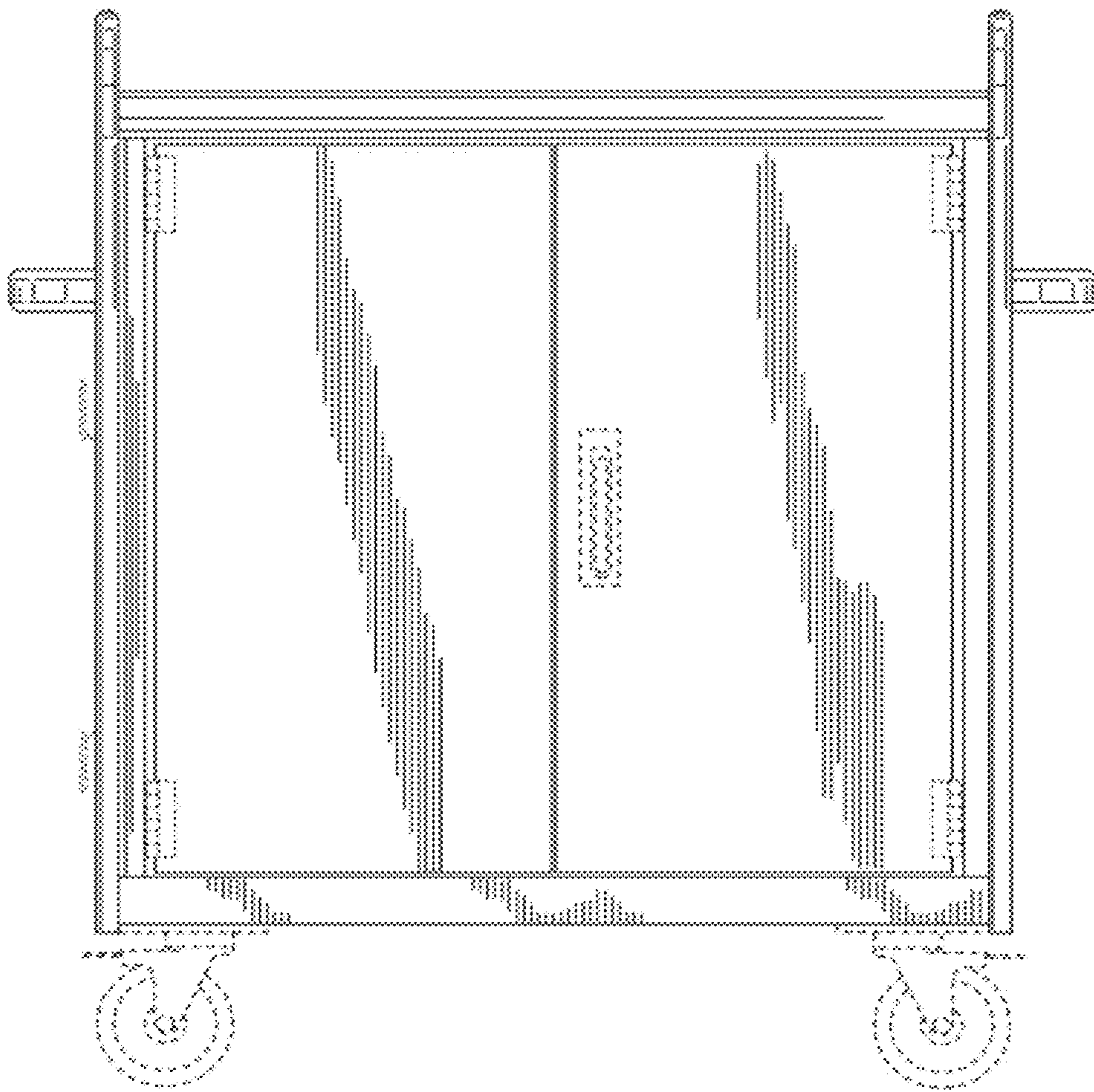


FIG. 3

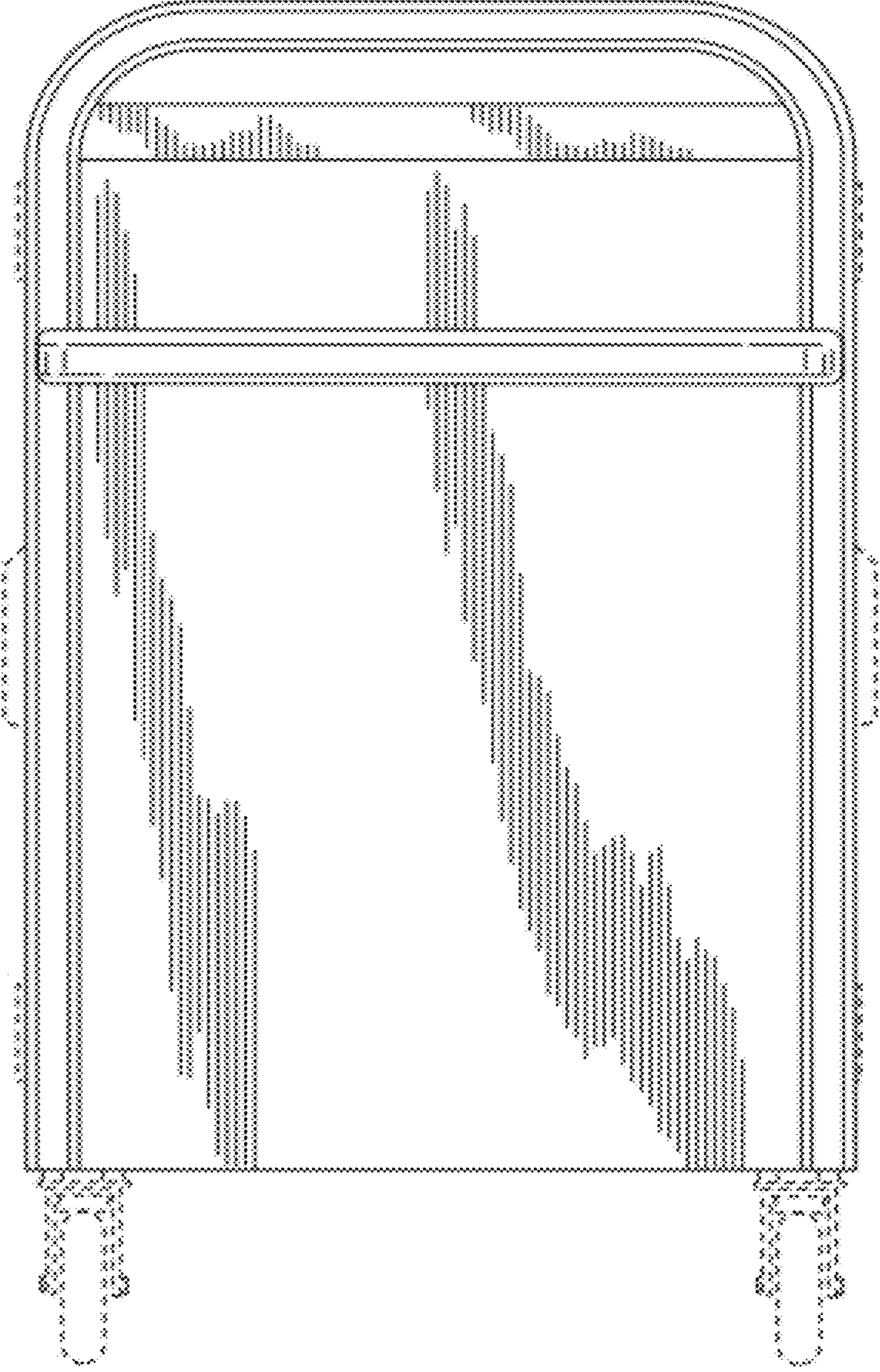


FIG. 4

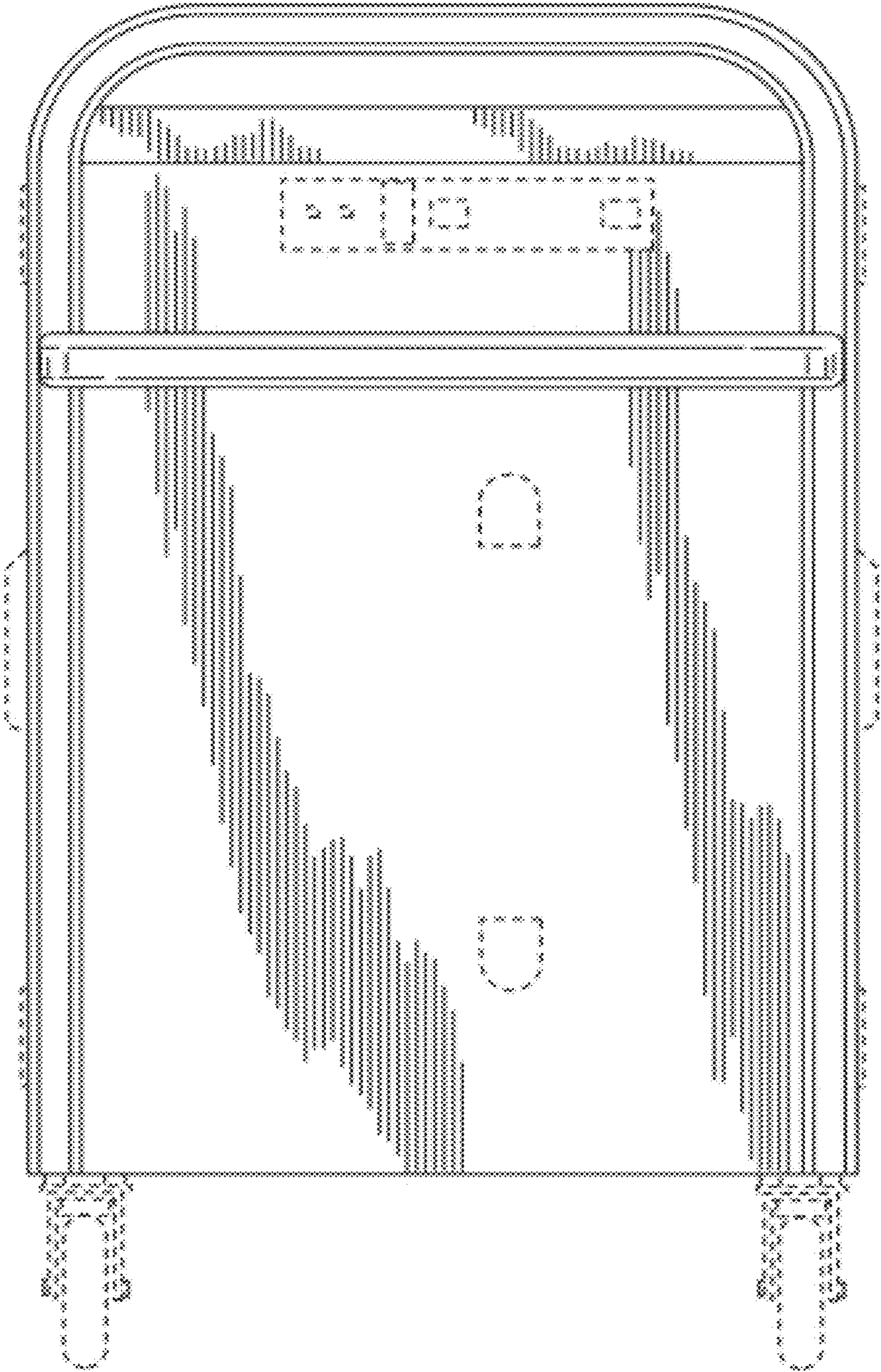


FIG. 5

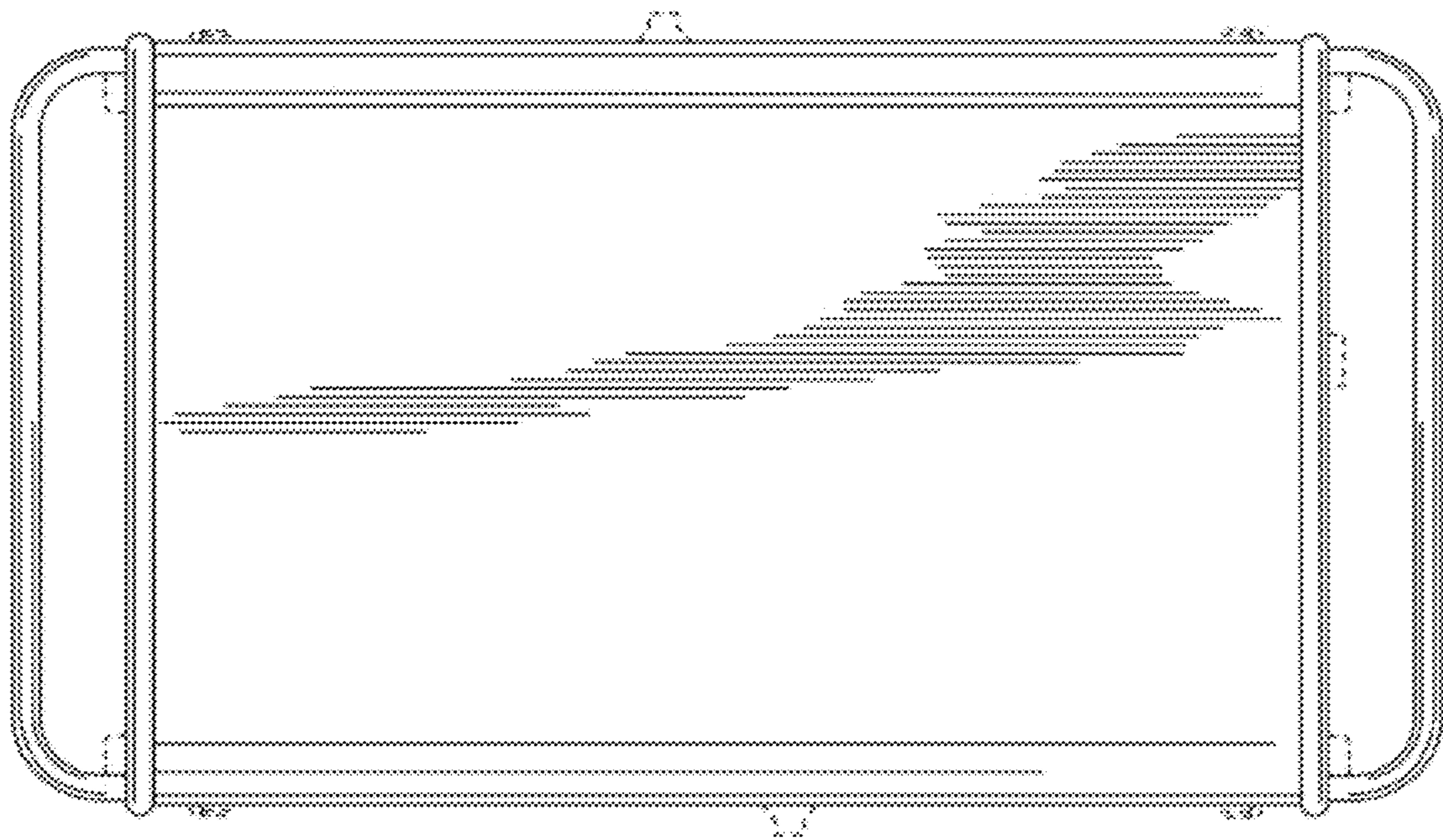


FIG. 6

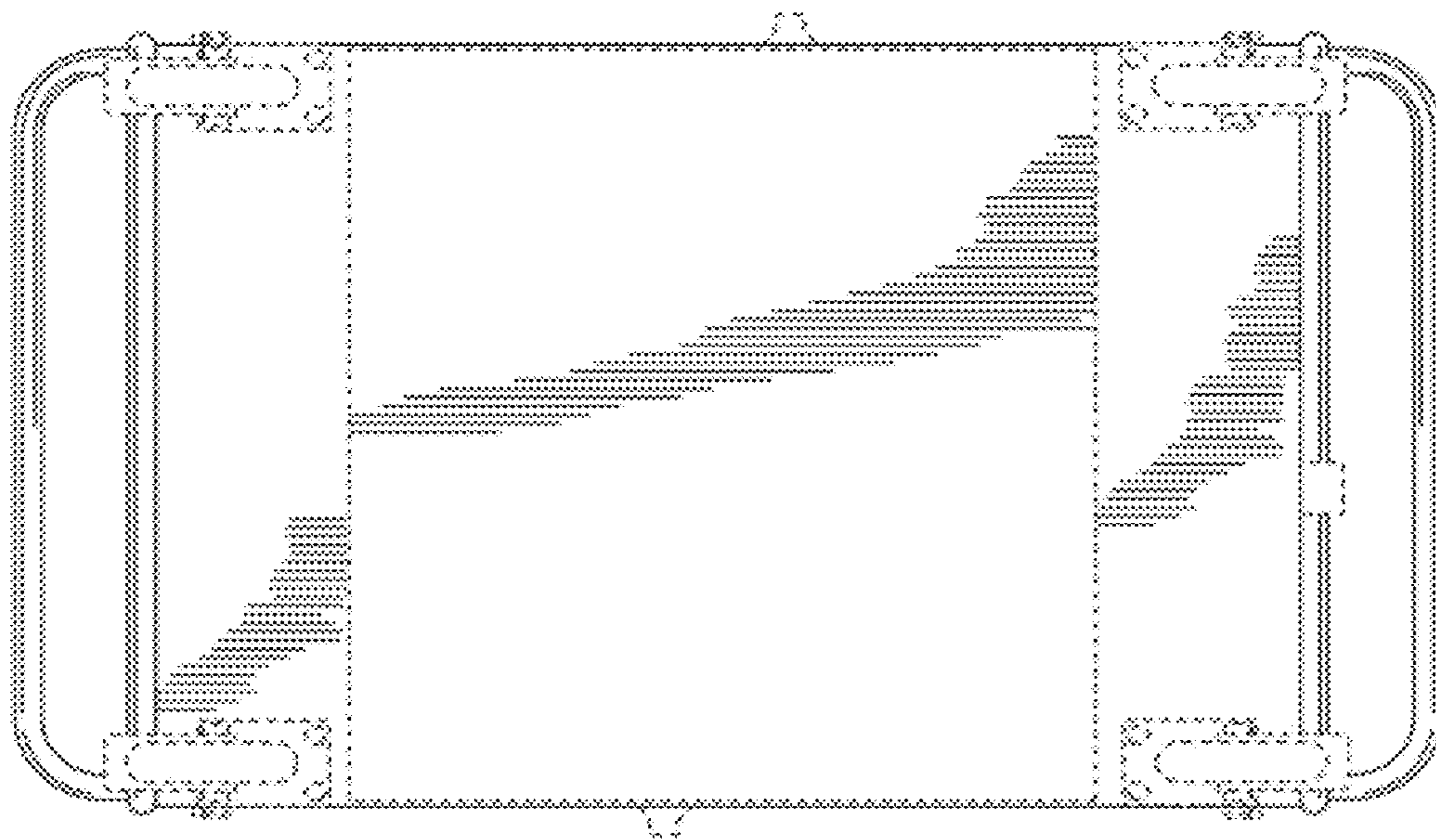


FIG. 7