



US00D671697S

(12) **United States Design Patent**
Kim et al.

(10) **Patent No.:** **US D671,697 S**
(45) **Date of Patent:** **** Nov. 27, 2012**

(54) **VACUUM CLEANER**

(75) Inventors: **Hyo Sung Kim**, Seoul (KR); **So Jin Park**, Seoul (KR); **Jae Hun Chung**, Seoul (KR); **Hyoung Won Roh**, Seoul (KR); **Seung Hyun Song**, Gyeonggi-do (KR)

(73) Assignee: **LG Electronics Inc.**, Seoul (KR)

(**) Term: **14 Years**

(21) Appl. No.: **29/401,013**

(22) Filed: **Sep. 6, 2011**

(30) **Foreign Application Priority Data**

Mar. 30, 2011 (KR) 30-2011-0012771

(51) **LOC (9) Cl.** **15-05**

(52) **U.S. Cl.** **D32/22**

(58) **Field of Classification Search** D32/22,
D32/30, 31, 34; 15/347, 350-353, 410-412,
15/320, 414, 327.4, 340.1, 340.2, 329, 361-362,
15/415.1; 301/7

See application file for complete search history.

(56) **References Cited**

U.S. PATENT DOCUMENTS

D462,813 S * 9/2002 Nakano et al. D32/22
D535,070 S * 1/2007 Shin D32/22
D535,071 S * 1/2007 Choi D32/22
D553,814 S * 10/2007 Parr et al. D32/22

D587,870 S * 3/2009 Baek et al. D32/22
D607,160 S * 12/2009 Yu et al. D32/22
D610,317 S * 2/2010 Lee et al. D32/22
D610,318 S * 2/2010 Shin D32/22
D633,264 S * 2/2011 Lee D32/22
7,981,181 B2 * 7/2011 Yoo 55/459.1
D647,263 S * 10/2011 Luebbering et al. D32/22
2009/0178233 A1 * 7/2009 Yoo 15/350
2010/0199457 A1 * 8/2010 Park et al. 15/347
2011/0035899 A1 * 2/2011 Charlton et al. 15/347
2011/0119863 A1 * 5/2011 Ha et al. 15/412
2012/0047681 A1 * 3/2012 Charlton et al. 15/347

* cited by examiner

Primary Examiner — Ruth McInroy

(74) *Attorney, Agent, or Firm* — Birch, Stewart, Kolasch & Birch, LLP

(57) **CLAIM**

We claim the ornamental design for a vacuum cleaner, as shown and described.

DESCRIPTION

FIG. 1 is a perspective view of a vacuum cleaner showing our new design:

FIG. 2 is a front elevation view thereof;

FIG. 3 is a rear elevation view thereof;

FIG. 4 is a left-side elevation view thereof;

FIG. 5 is a right-side elevation view thereof;

FIG. 6 is a top plan view thereof; and,

FIG. 7 is a bottom plan view thereof.

The broken lines shown are included for the purpose of illustrating the unclaimed portions of the article and form no part of the claim.

1 Claim, 6 Drawing Sheets

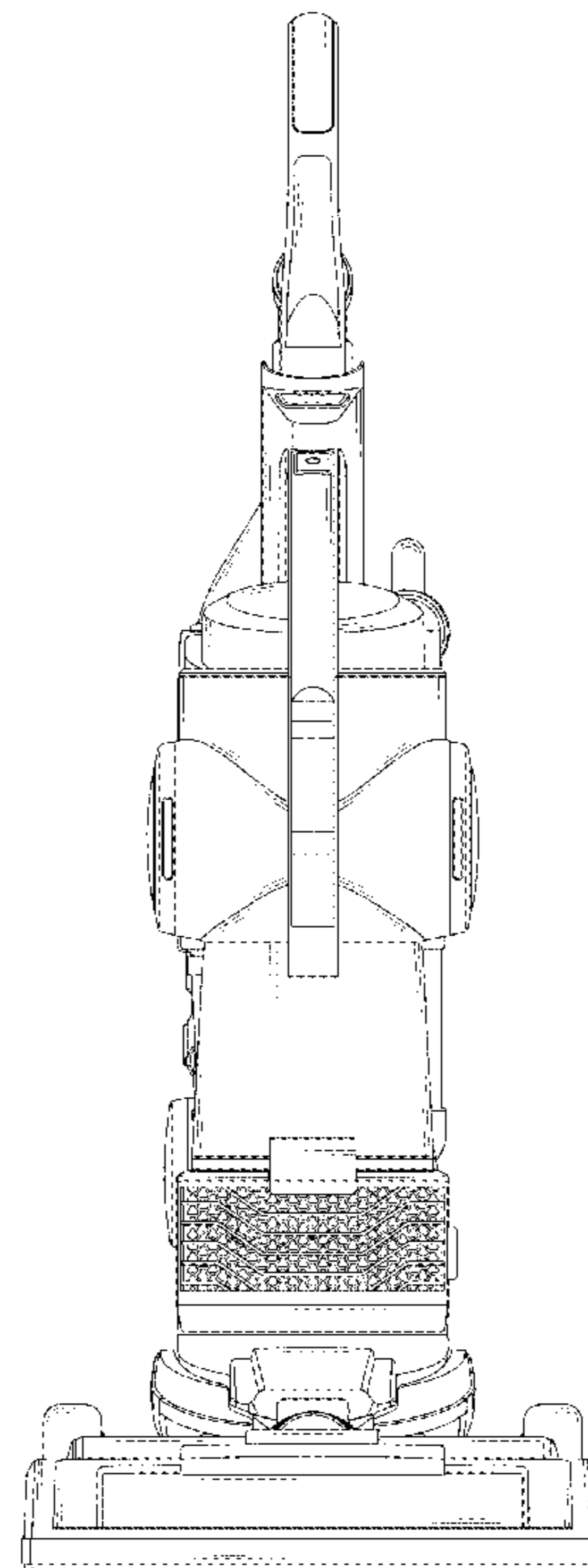
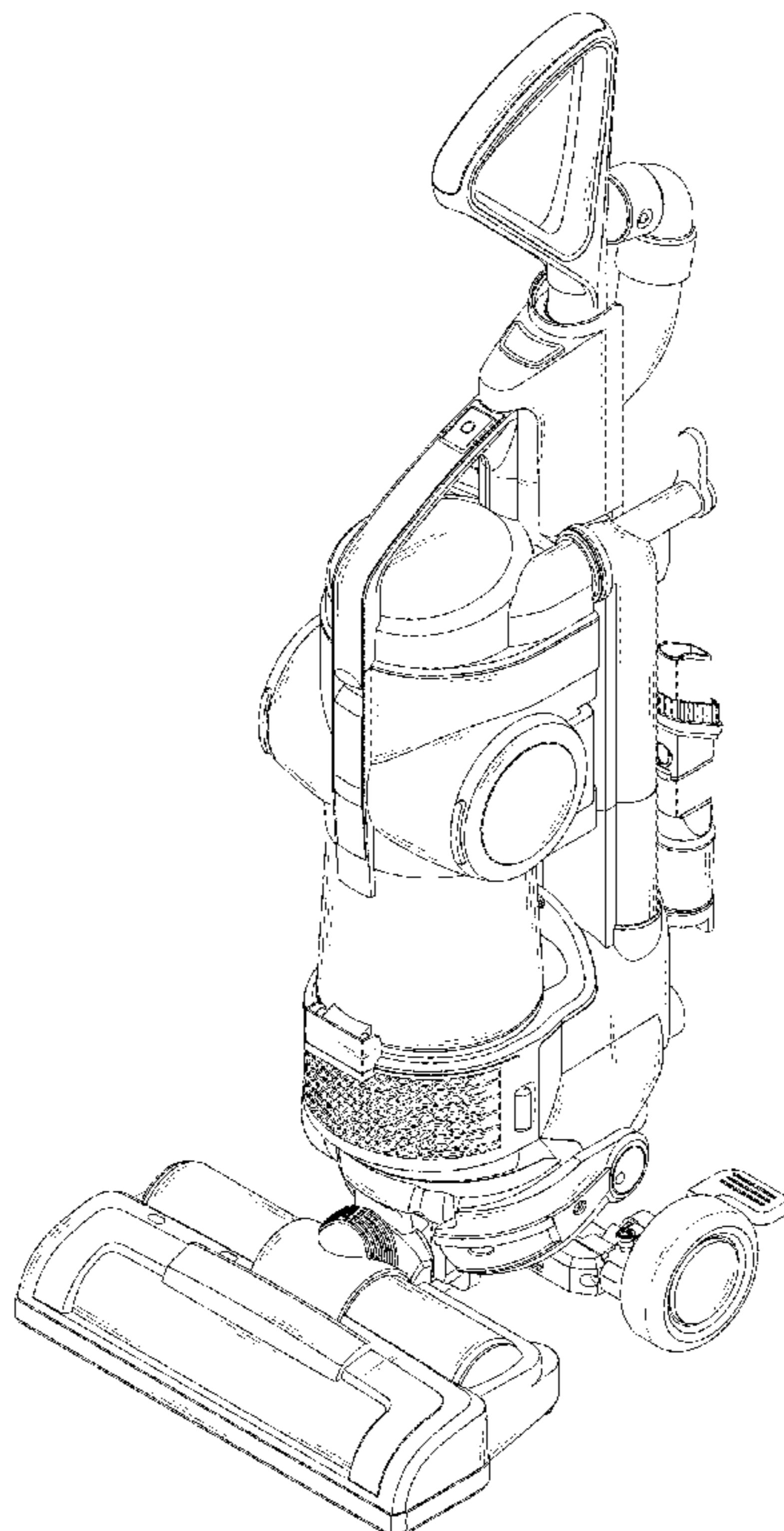


FIG. 1

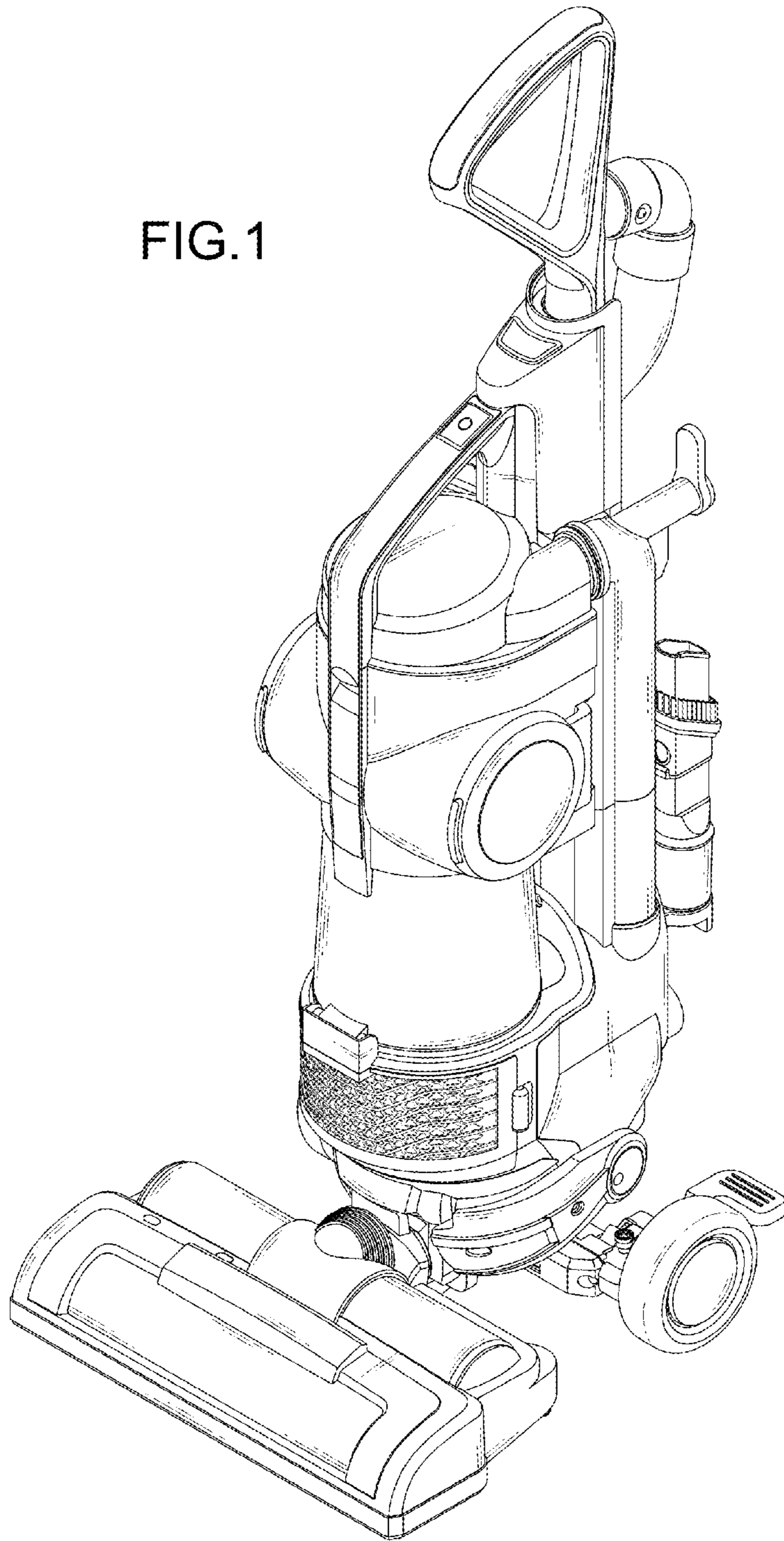


FIG.2

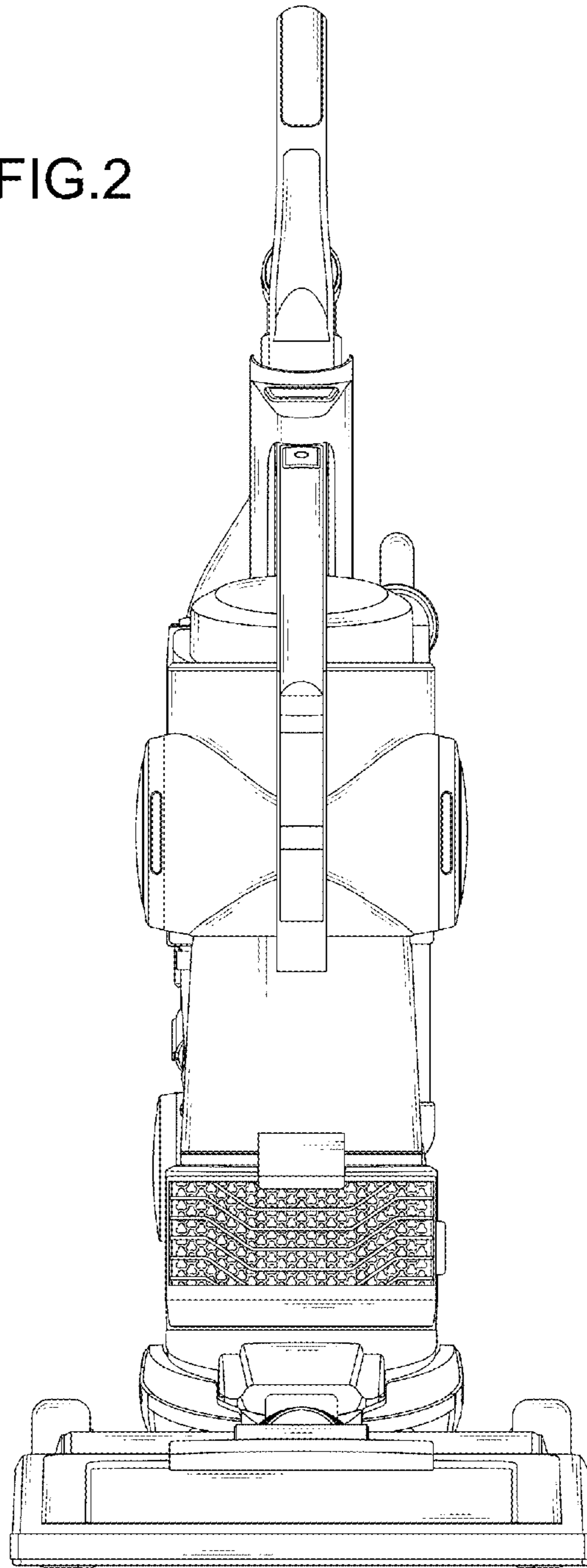
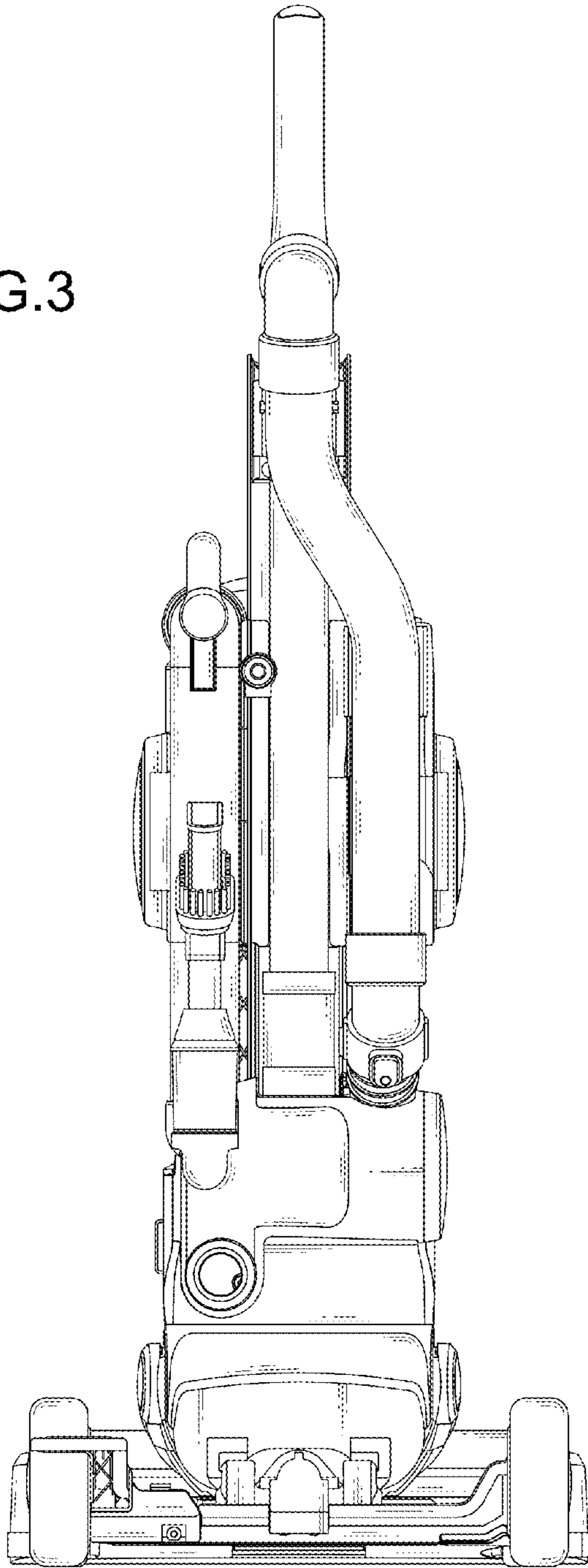


FIG.3



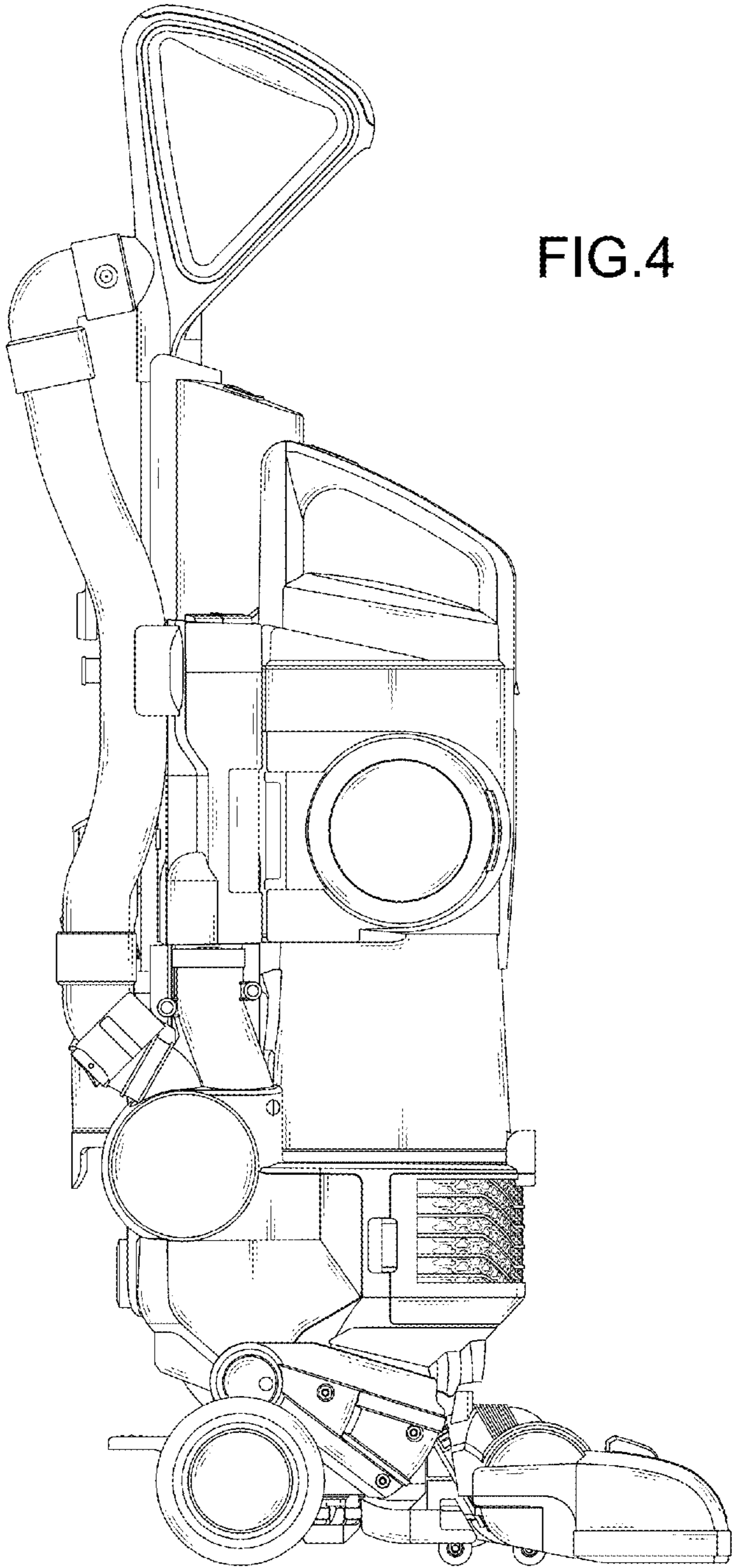


FIG.4

FIG.5

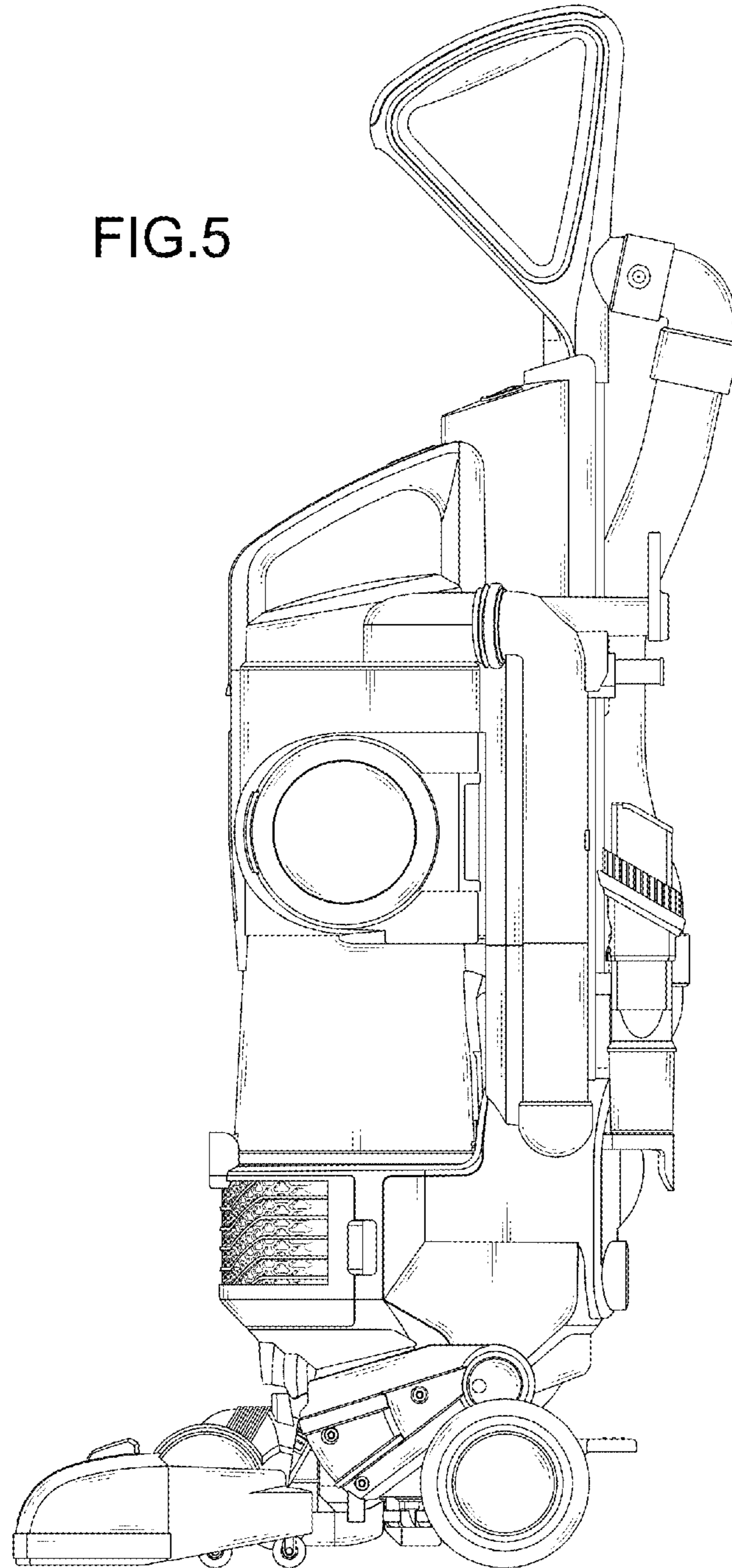


FIG.6

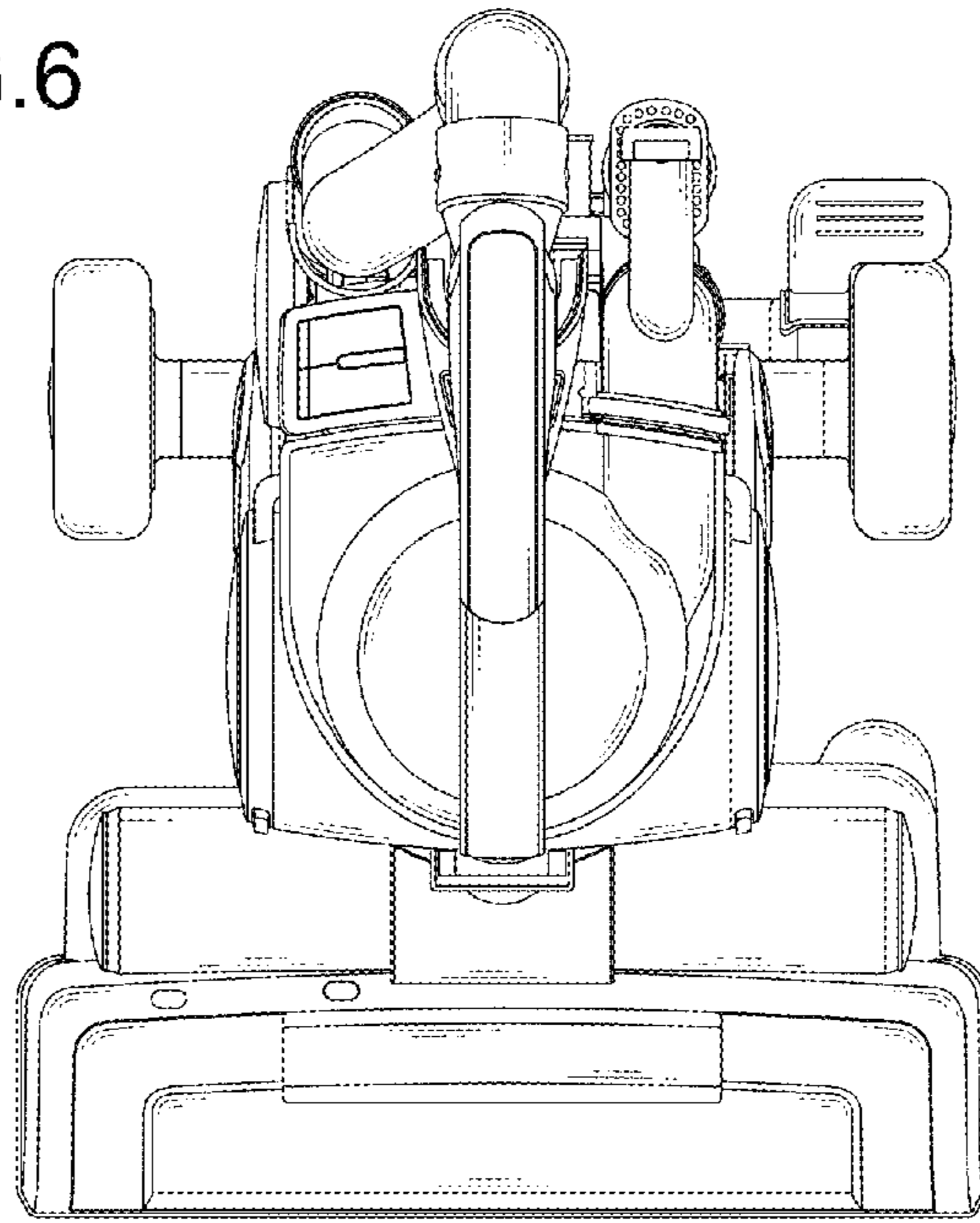


FIG.7

