

US00D671696S

(12) **United States Design Patent**
Dyson et al.

(10) **Patent No.:** **US D671,696 S**
(45) **Date of Patent:** **** Nov. 27, 2012**

(54) **VACUUM CLEANER**

(75) Inventors: **James Dyson**, Malmesbury (GB); **Peter David Gammack**, Malmesbury (GB); **Paul Dawson**, Malmesbury (GB); **Paul Barry Reid**, Malmesbury (GB); **Adam James Bates**, Malmesbury (GB)

(73) Assignee: **Dyson Limited**, Malmesbury (GB)

(**) Term: **14 Years**

(21) Appl. No.: **29/399,390**

(22) Filed: **Aug. 12, 2011**

(30) **Foreign Application Priority Data**

Feb. 15, 2011 (EM) 001821695-0001

(51) **LOC (9) Cl.** **15-05**

(52) **U.S. Cl.** **D32/22**

(58) **Field of Classification Search** D32/22,
D32/31, 34; 15/347, 350-353, 410-412,
15/320, 414, 327.4, 340.1, 340.2, 329, 361-362,
15/415.1; 55/429, DIG. 3, 337; 301/7
See application file for complete search history.

(56) **References Cited**

U.S. PATENT DOCUMENTS

2,686,330 A * 8/1954 Wales 15/327.4
3,794,351 A * 2/1974 Cudmore 280/204
4,058,344 A * 11/1977 Dyson 301/7
D454,994 S * 3/2002 Harada et al. D32/21

6,536,073 B2 * 3/2003 Uratani et al. 15/327.4
D534,324 S * 12/2006 Dyson et al. D32/22
D544,156 S * 6/2007 Dyson et al. D32/25
D563,066 S * 2/2008 Shevlin D32/31
D588,762 S * 3/2009 Dyson et al. D32/31
D596,360 S * 7/2009 Dyson et al. D32/22
7,823,251 B2 * 11/2010 Dyson et al. 15/336
2008/0115313 A1 * 5/2008 Dyson et al. 15/336
2008/0222840 A1 * 9/2008 Worker et al. 15/415.1
2010/0242211 A1 * 9/2010 Sunderland et al. 15/347
2010/0242220 A1 * 9/2010 Dyson et al. 15/347
2011/0088195 A1 * 4/2011 Dyson et al. 15/300.1
2011/0088205 A1 * 4/2011 Dyson et al. 15/347

* cited by examiner

Primary Examiner — Ruth McInroy

(74) *Attorney, Agent, or Firm* — Morrison & Foerster LLP

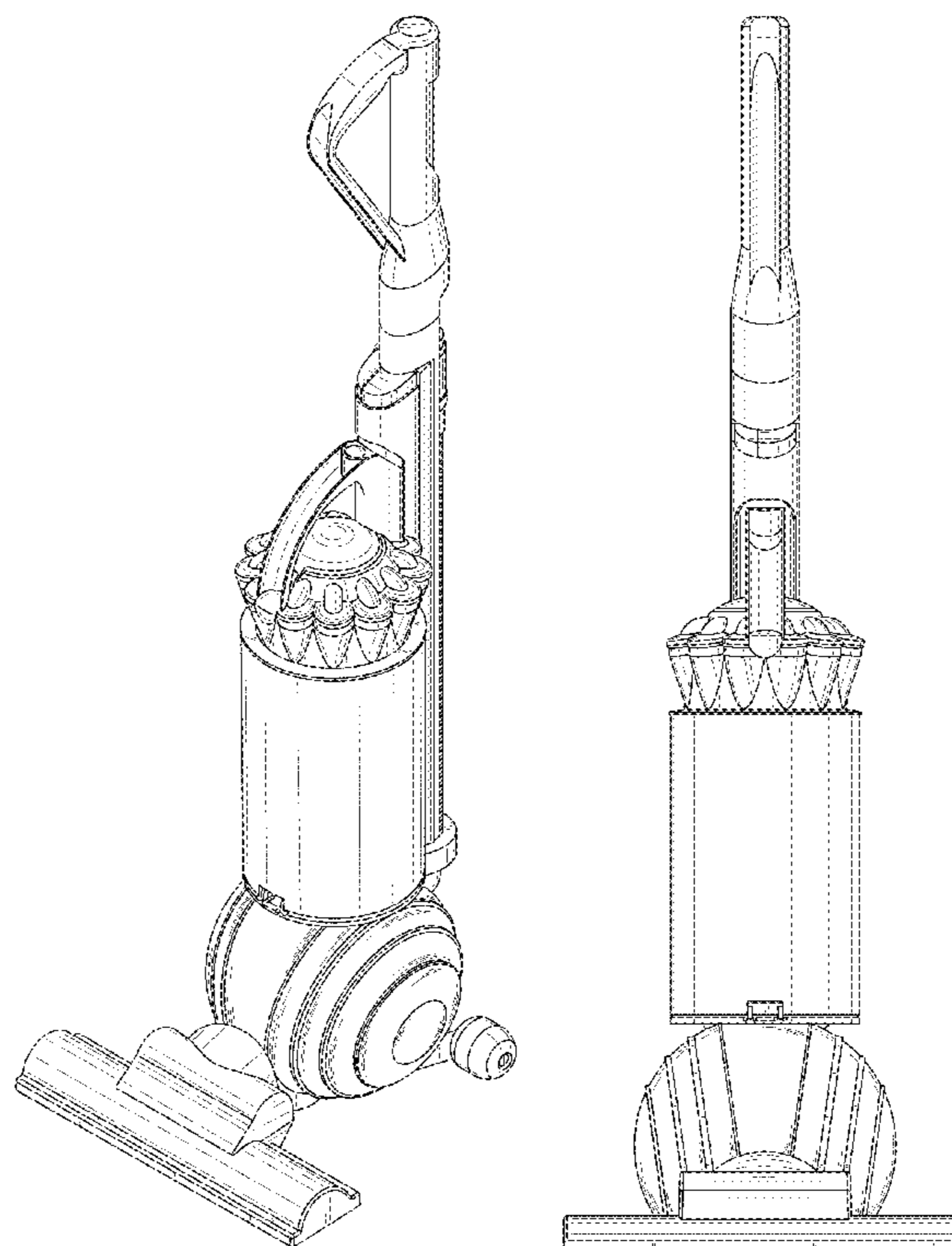
(57) **CLAIM**

We claim the ornamental design for a vacuum cleaner, as shown and described.

DESCRIPTION

FIG. 1 is a perspective view of a vacuum cleaner showing our new design;
FIG. 2 is a front view thereof;
FIG. 3 is a side view thereof;
FIG. 4 is a rear view thereof;
FIG. 5 is a side view from the side opposite that of FIG. 3;
FIG. 6 is a plan view thereof from above; and,
FIG. 7 is a plan view thereof from below.

1 Claim, 7 Drawing Sheets



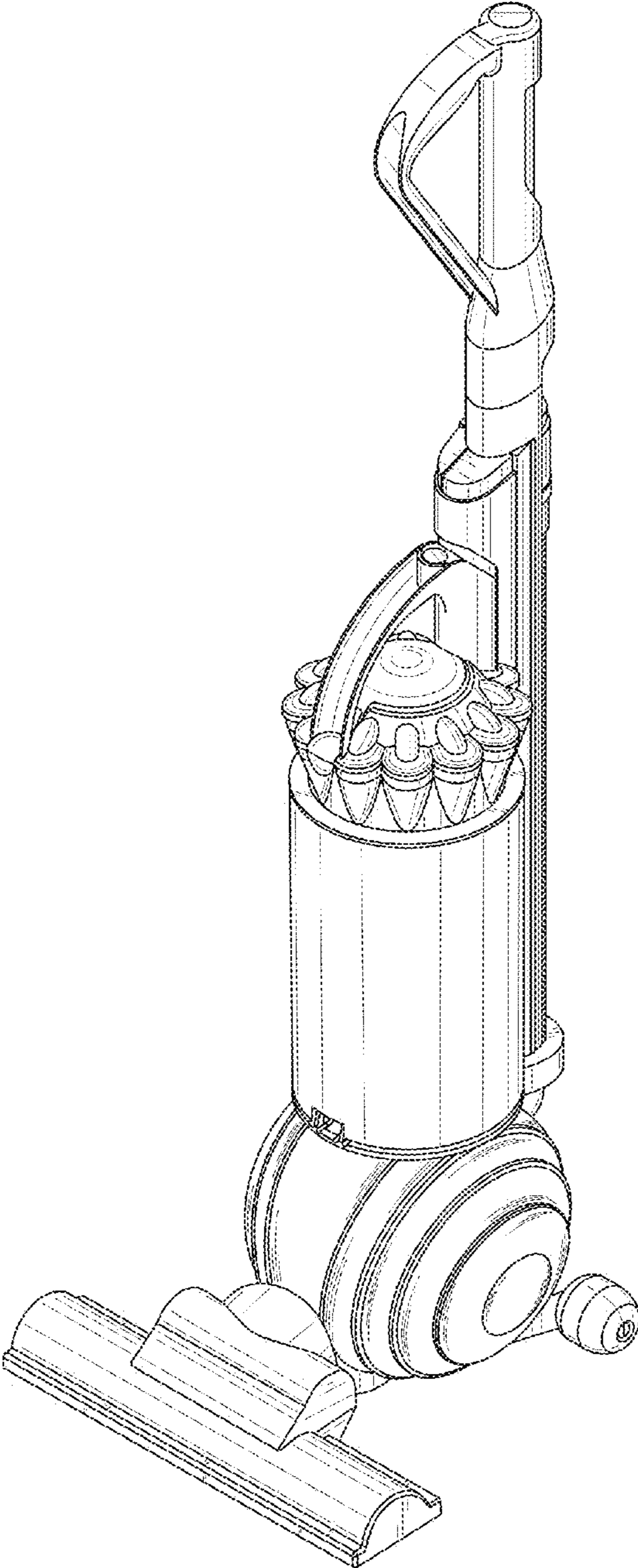


FIG. 1

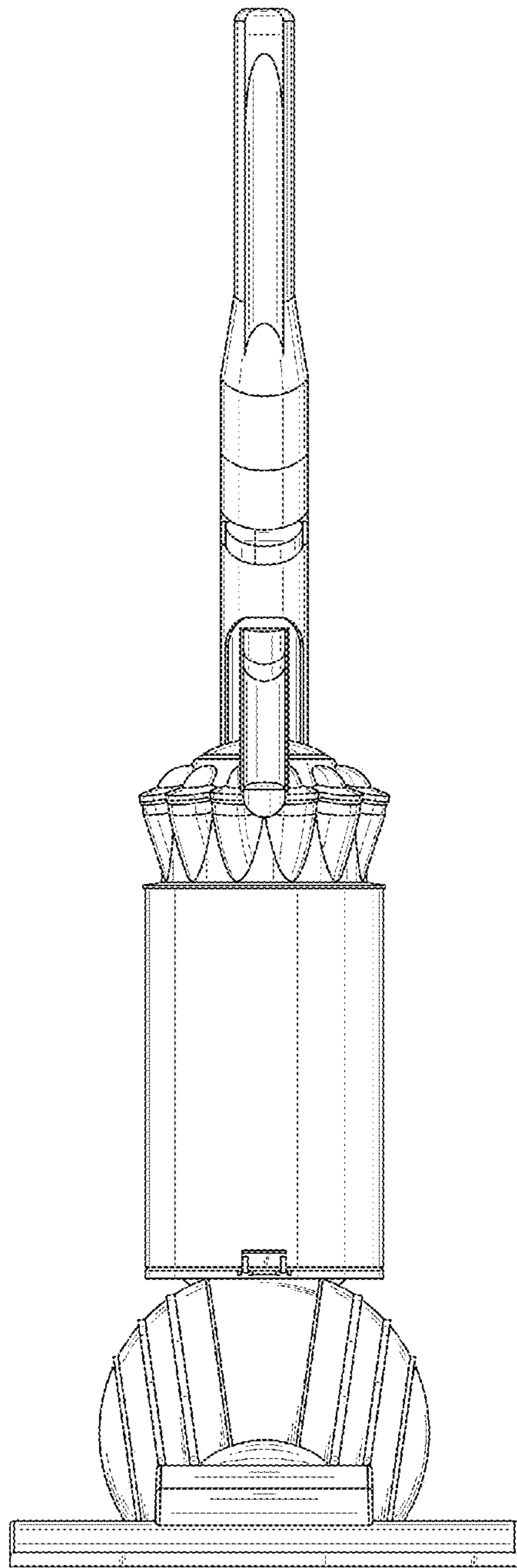


FIG. 2

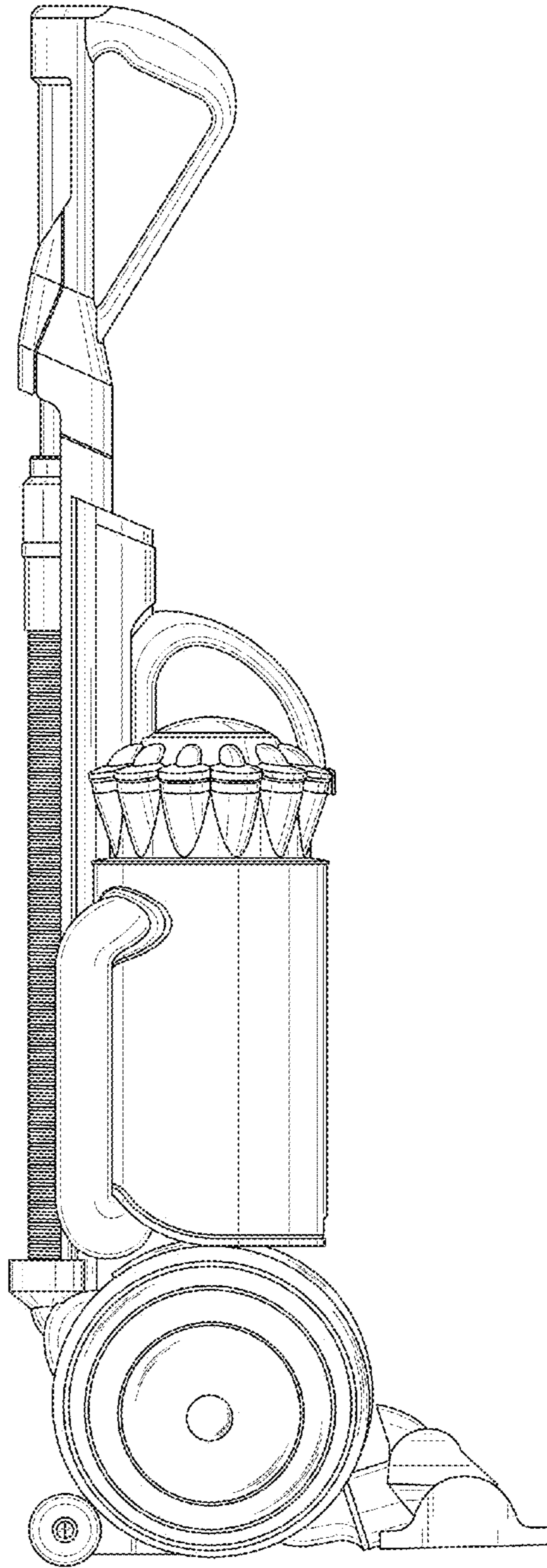


FIG. 3

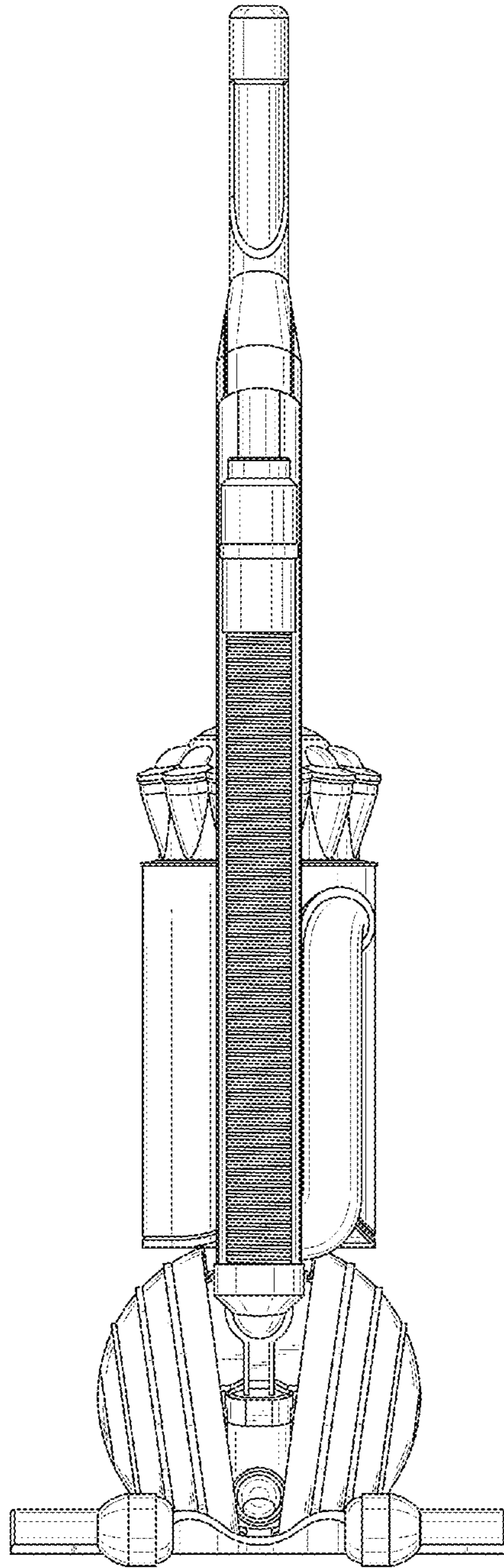


FIG. 4

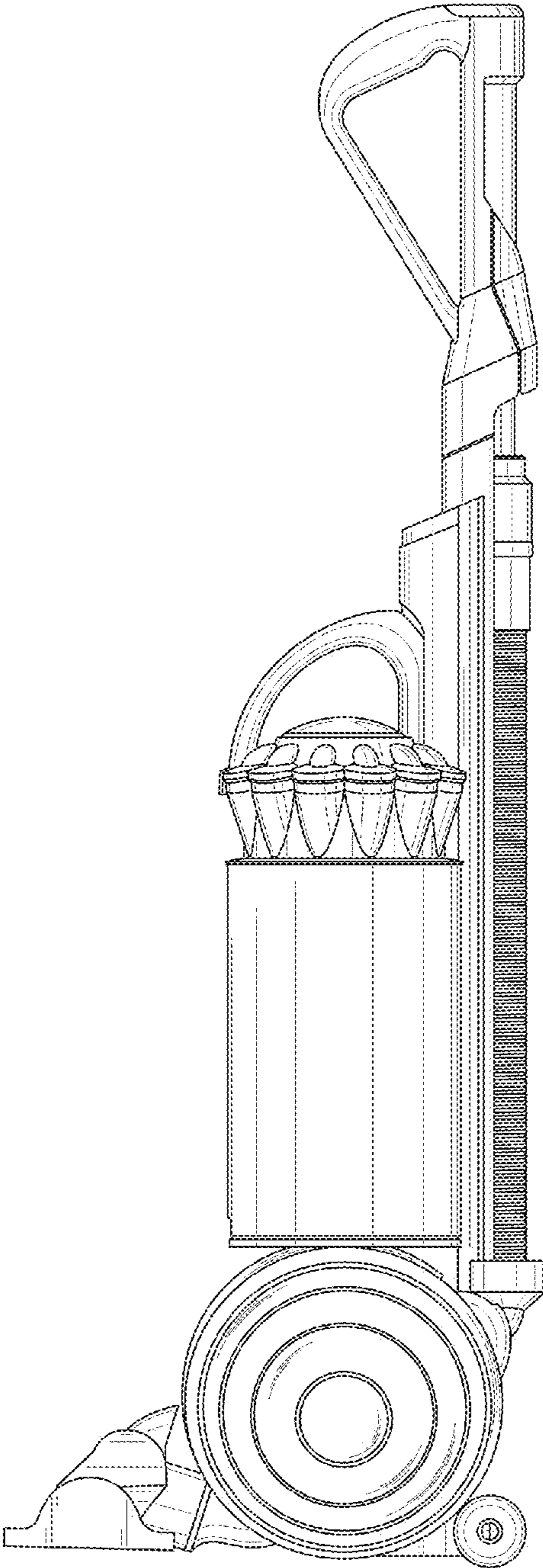


FIG. 5

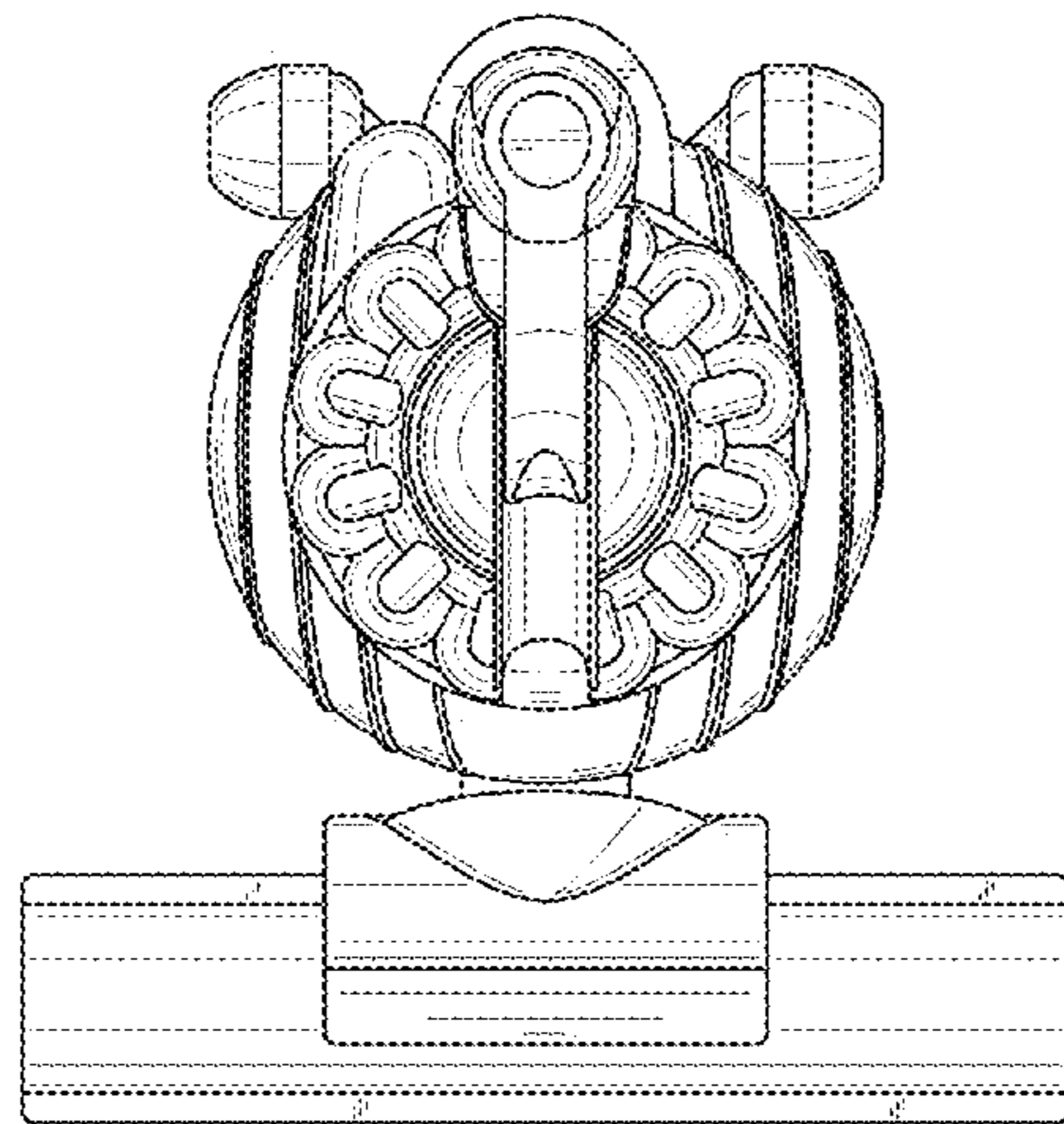


FIG. 6

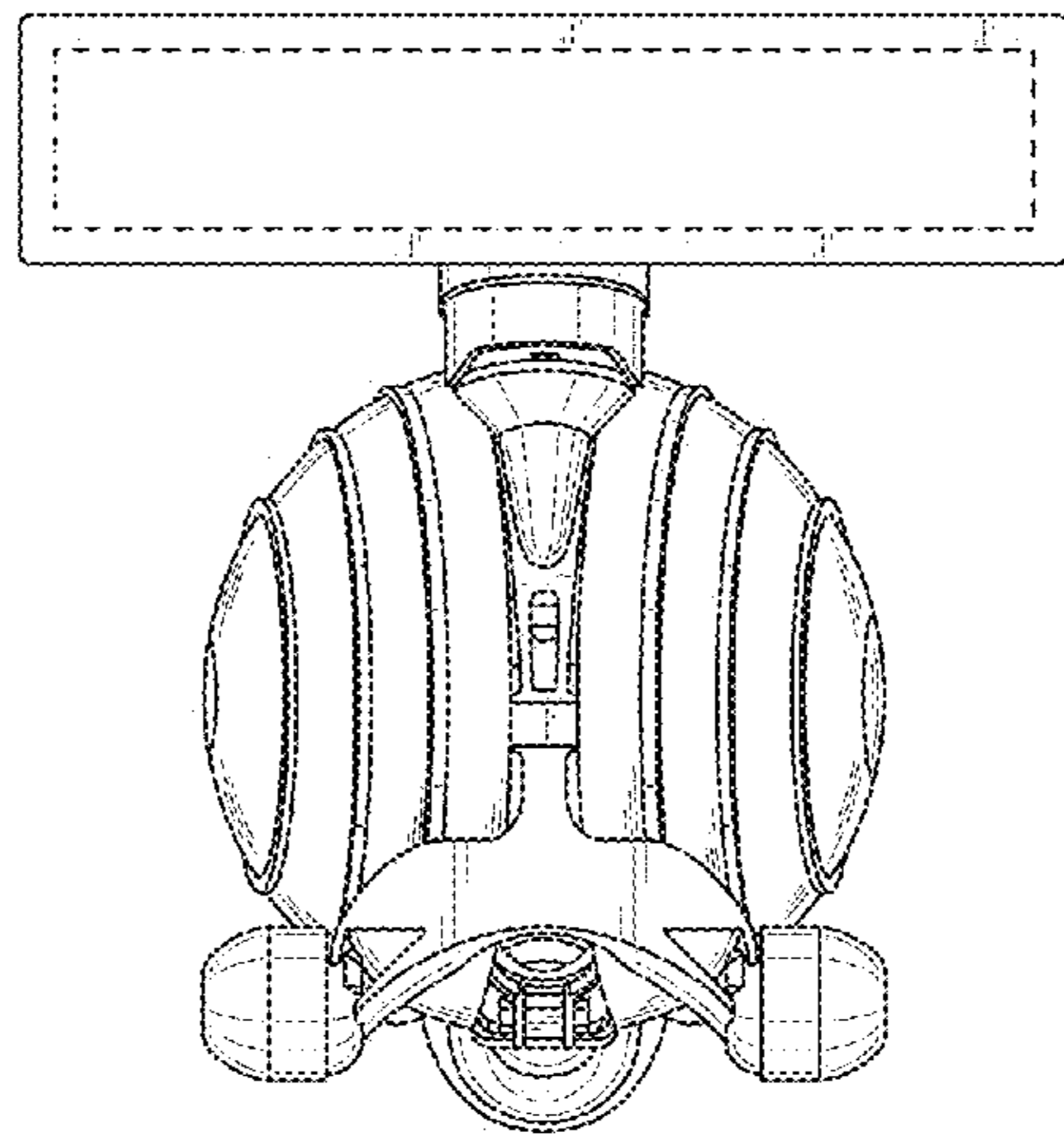


FIG. 7