



US00D671691S

(12) **United States Design Patent**
Neilan

(10) **Patent No.:** **US D671,691 S**

(45) **Date of Patent:** **** Nov. 27, 2012**

(54) **PET CARRIER**

(76) Inventor: **Michael P. Neilan**, Cleveland, OH (US)

(**) Term: **14 Years**

(21) Appl. No.: **29/384,344**

(22) Filed: **Jan. 30, 2011**

(51) **LOC (9) Cl.** **30-02**

(52) **U.S. Cl.** **D30/108**

(58) **Field of Classification Search** D30/108-119,
D30/124-126; 119/416, 421, 452, 462-463,
119/474-475, 482, 497-498

See application file for complete search history.

(56) **References Cited**

U.S. PATENT DOCUMENTS

D214,566 S *	7/1969	Swinney	D30/109
D314,251 S *	1/1991	Van Skiver	D30/109
5,154,137 A *	10/1992	Stanaland	119/496
D334,087 S *	3/1993	Goetz	D30/108
5,357,900 A *	10/1994	Ho	119/479
D417,758 S *	12/1999	Mitchell	D30/114
D445,222 S *	7/2001	Ross	D30/108

6,647,925 B1 *	11/2003	Walters	119/494
7,152,554 B2 *	12/2006	Crawford	119/496
8,132,537 B2 *	3/2012	Trunnell et al.	119/496

* cited by examiner

Primary Examiner — Cathy A MacCormac

(74) *Attorney, Agent, or Firm* — Forrest L. Collins Law Offices, LLC; Forrest L. Collins

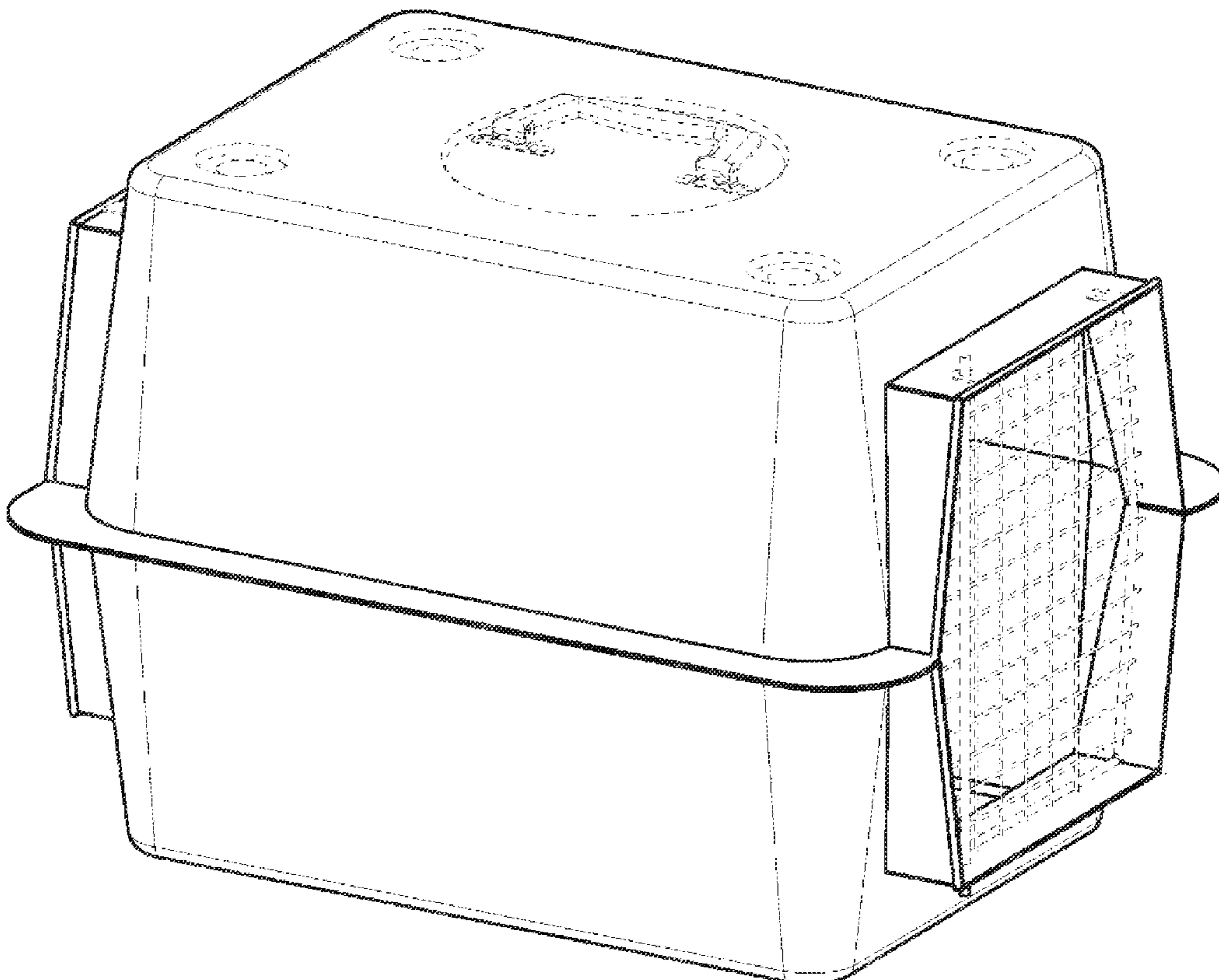
(57) **CLAIM**

The ornamental design for a pet carrier, as shown and described.

DESCRIPTION

FIG. 1 is a perspective view of a pet carrier showing my new design with a door in a closed position; FIG. 2 is a reduced side view thereof; FIG. 3 is a reduced top plan view thereof; FIG. 4 is a reduced front view thereof, the rear view is identical to the front view shown; and, FIG. 5 is a reduced bottom plan view thereof. The broken lines are for illustration only and form no part of the claimed design.

1 Claim, 3 Drawing Sheets



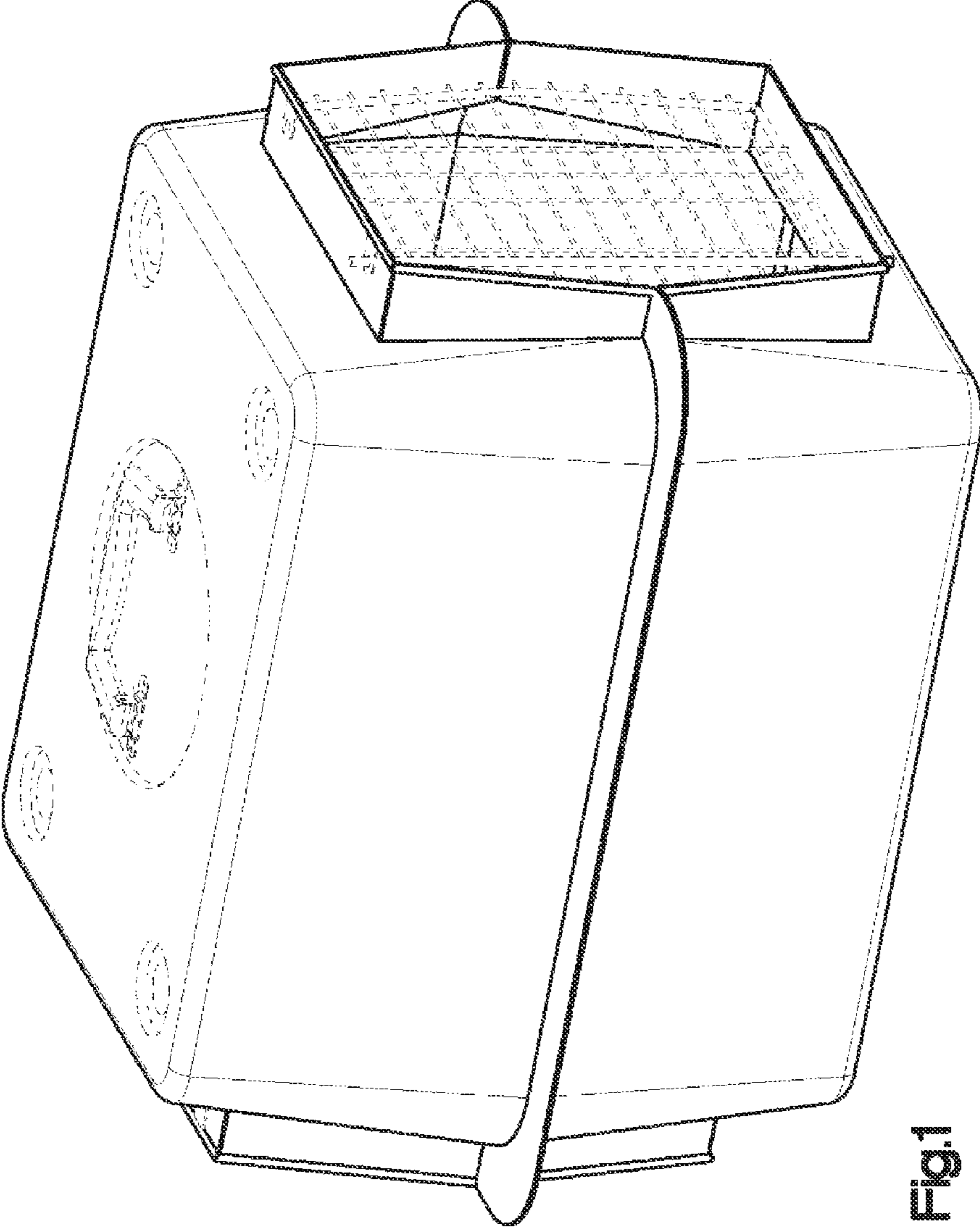


Fig.1

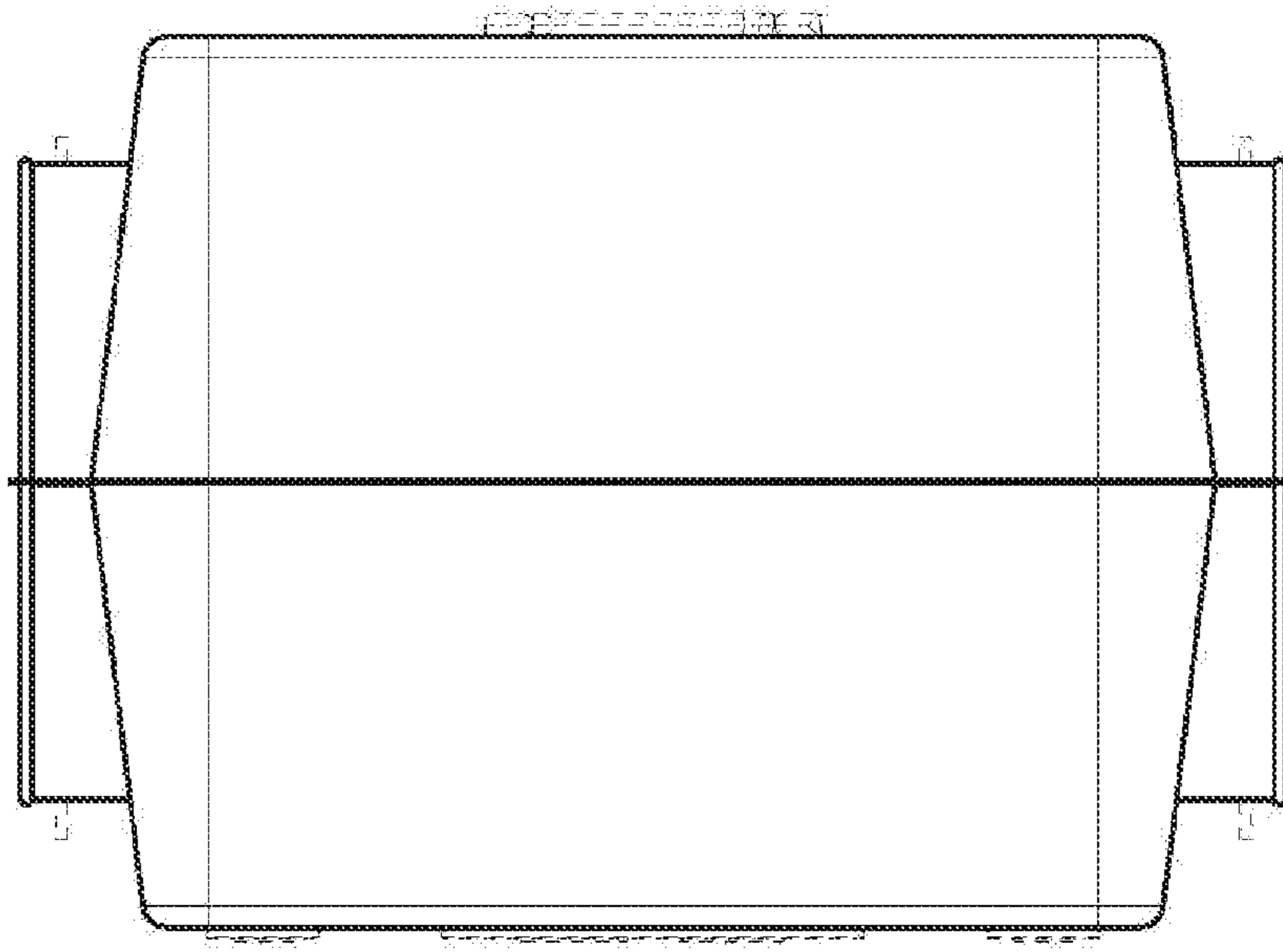


Fig.2

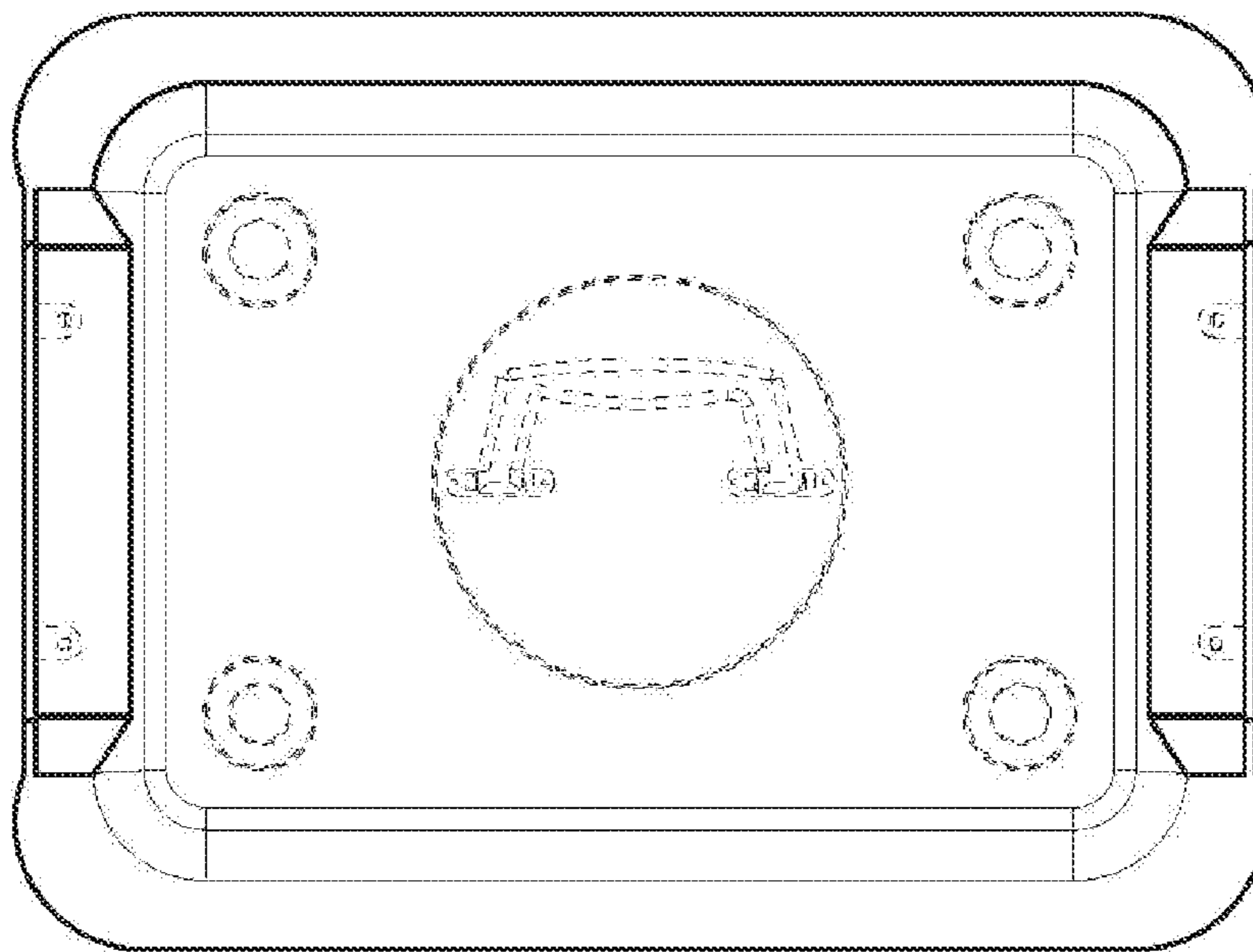


Fig.3

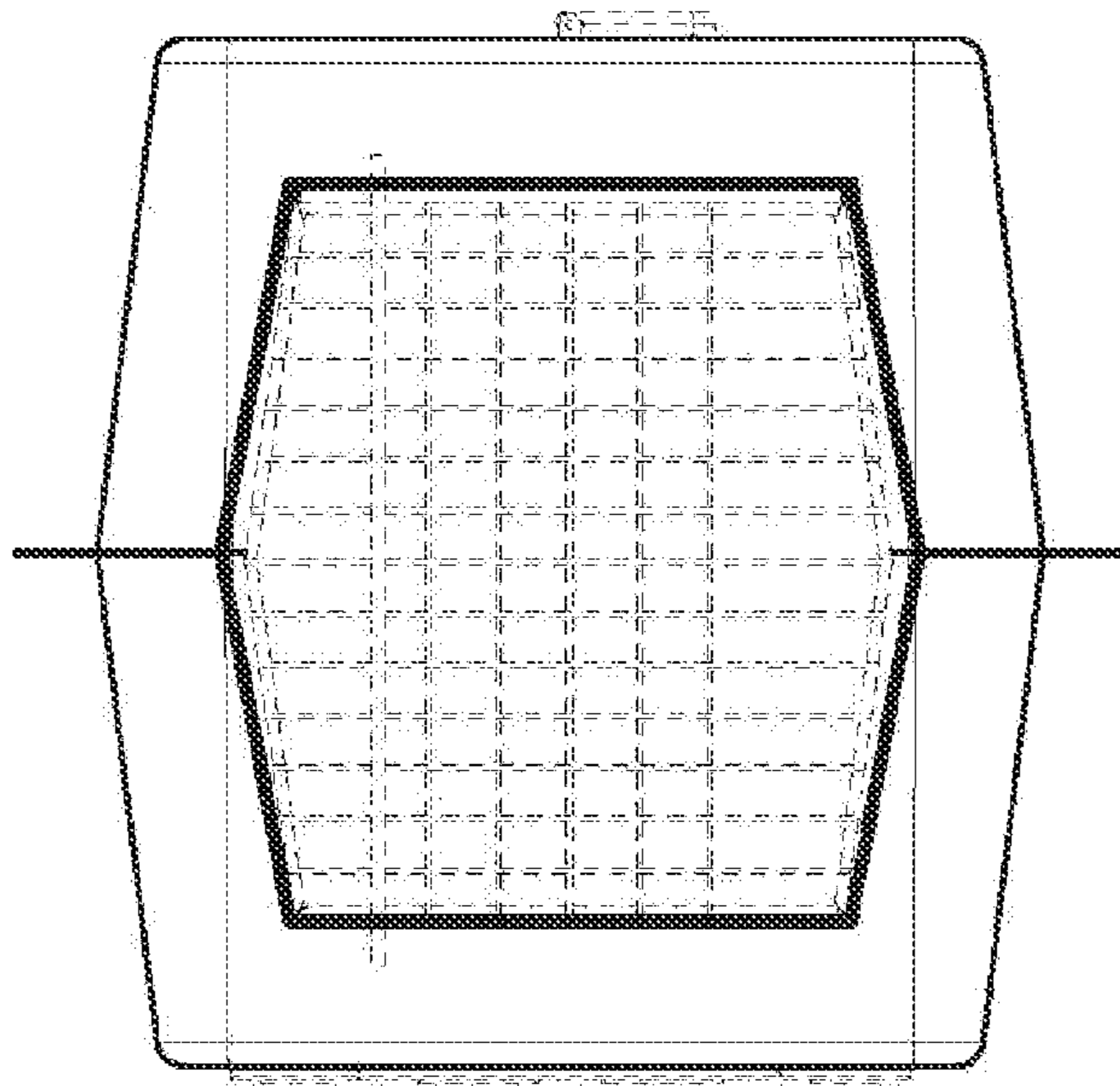


Fig.4

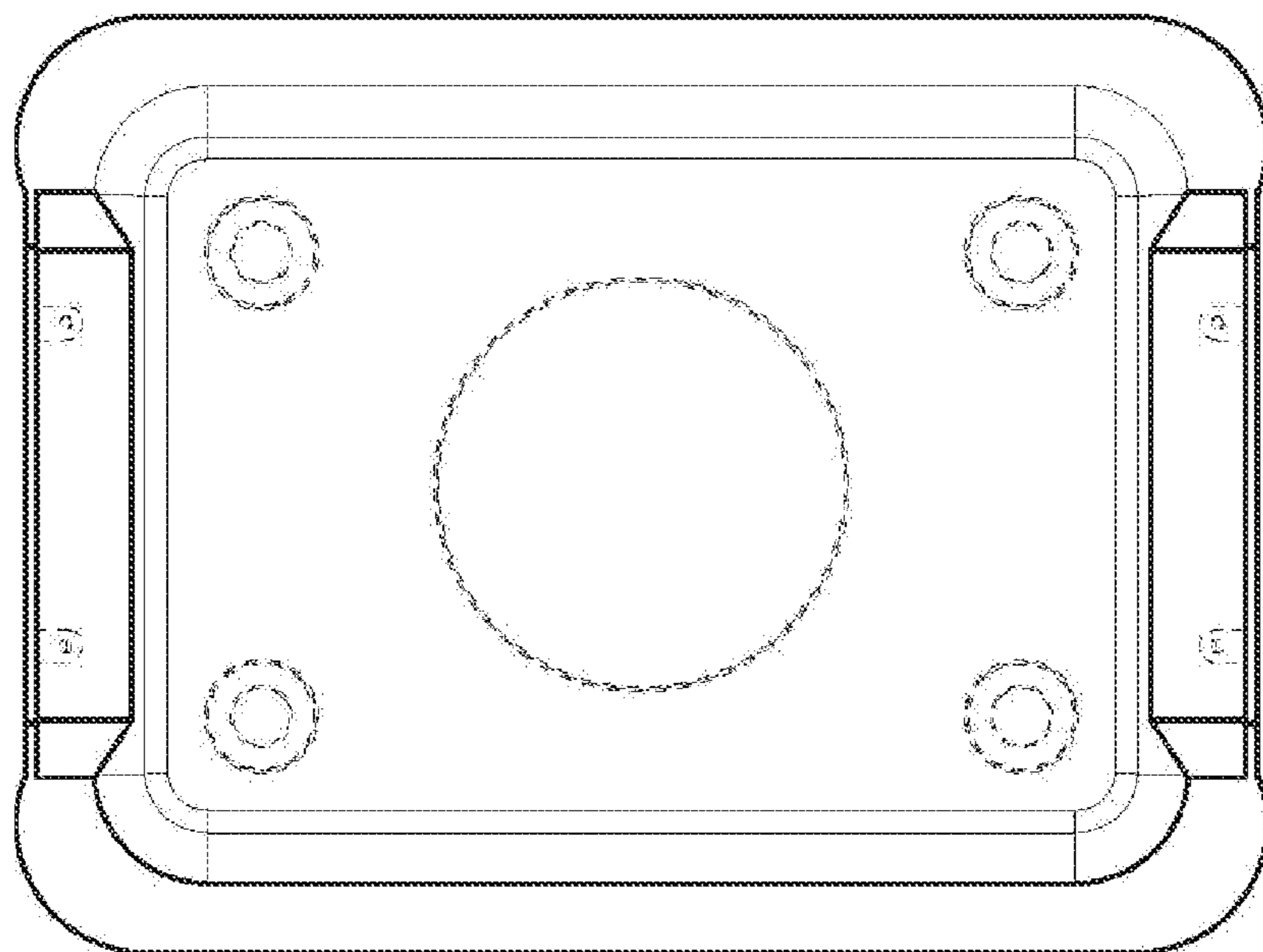


Fig.5