



US00D671685S

(12) **United States Design Patent**  
**Bow**

(10) **Patent No.:** **US D671,685 S**

(45) **Date of Patent:** **\*\* Nov. 27, 2012**

(54) **FLOSS BOW**

(75) **Inventor:** **Clark F. Bow**, Dandridge, TN (US)

(73) **Assignee:** **Team Technologies, Inc.**, Morristown, TN (US)

(\*\*) **Term:** **14 Years**

(21) **Appl. No.:** **29/416,431**

(22) **Filed:** **Mar. 22, 2012**

(51) **LOC (9) Cl.** ..... **28-03**

(52) **U.S. Cl.** ..... **D28/66**

(58) **Field of Classification Search** ..... D28/31,  
D28/56, 65-68, 73; D24/152; 433/141,  
433/146-147; 132/322-329

See application file for complete search history.

(56) **References Cited**

**U.S. PATENT DOCUMENTS**

5,483,982	A *	1/1996	Bennett et al.	.....	132/323
D521,189	S *	5/2006	Winkler et al.	.....	D28/66
7,059,334	B2 *	6/2006	Dougan et al.	.....	132/323

D532,159	S *	11/2006	Anlter	.....	D28/66
7,171,971	B2 *	2/2007	Ochs et al.	.....	132/323
7,174,904	B2 *	2/2007	Ochs et al.	.....	132/323
7,370,658	B2 *	5/2008	Chodorow et al.	.....	132/323
7,487,785	B2 *	2/2009	Dougan et al.	.....	132/323
2010/0297575	A1 *	11/2010	Effenberger et al.	.....	433/87

\* cited by examiner

*Primary Examiner* — Zenia Bennett

(74) *Attorney, Agent, or Firm* — Luedeka Neely Group, P.C.

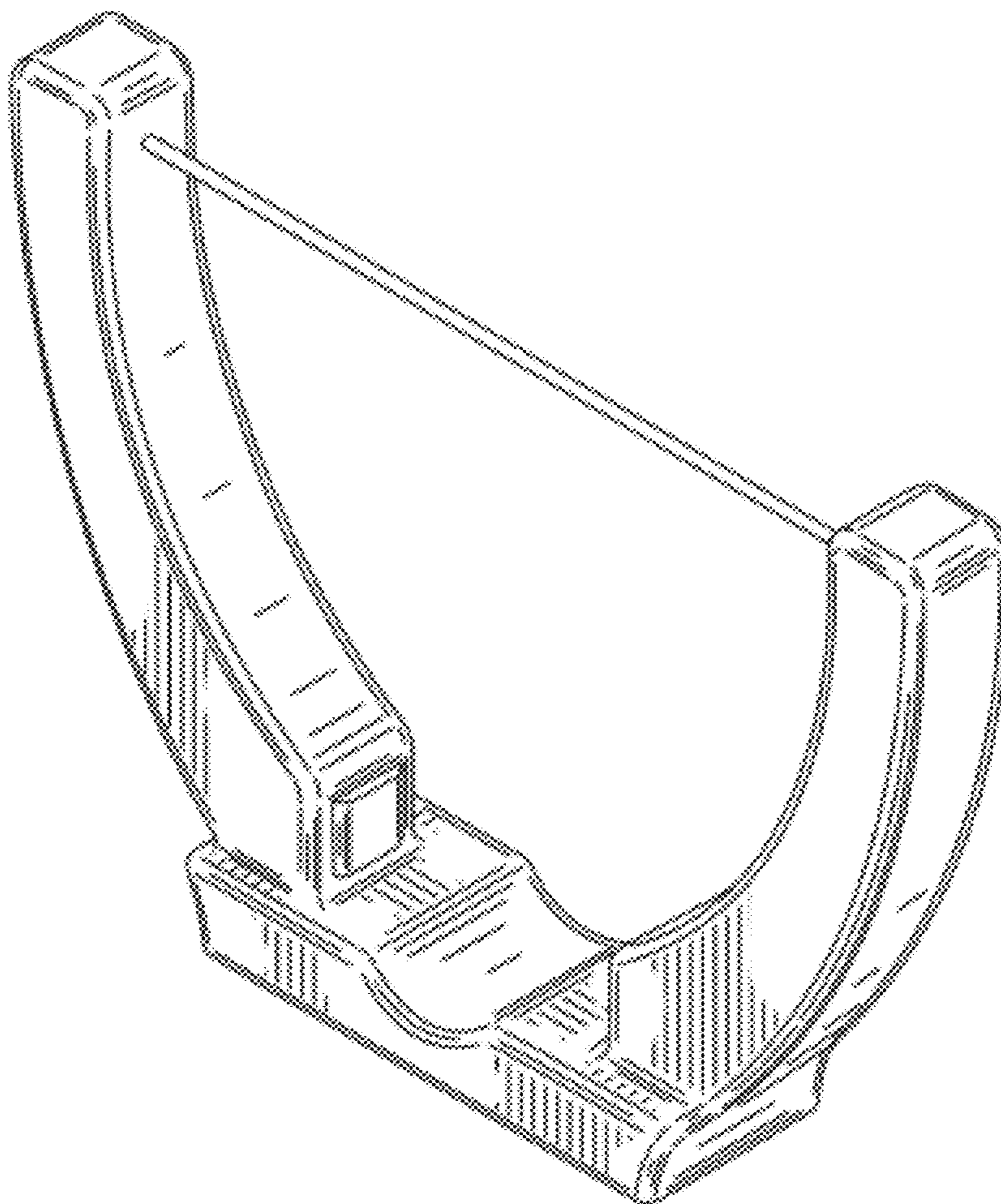
(57) **CLAIM**

The ornamental design for a floss bow, as shown and described.

**DESCRIPTION**

FIG. 1 is a perspective view of a floss bow of my new design; FIG. 2 is a front plan view of the floss bow of FIG. 1; FIG. 3 is a side plan view of the floss bow of FIG. 1; FIG. 4 is a top plan view of the floss bow of FIG. 1; and, FIG. 5 is a bottom plan view of the floss bow of FIG. 1.

**1 Claim, 5 Drawing Sheets**



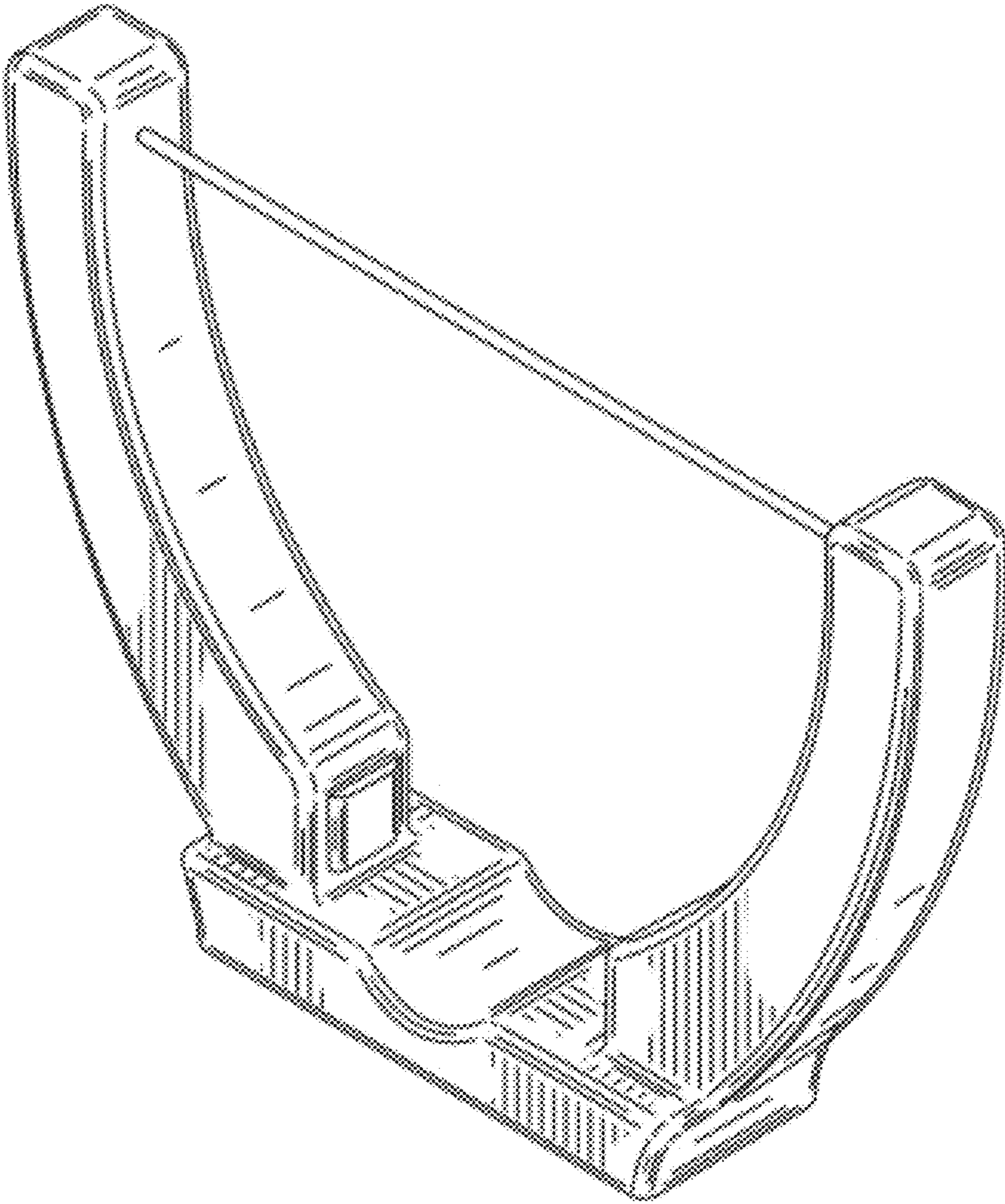


FIG. 1

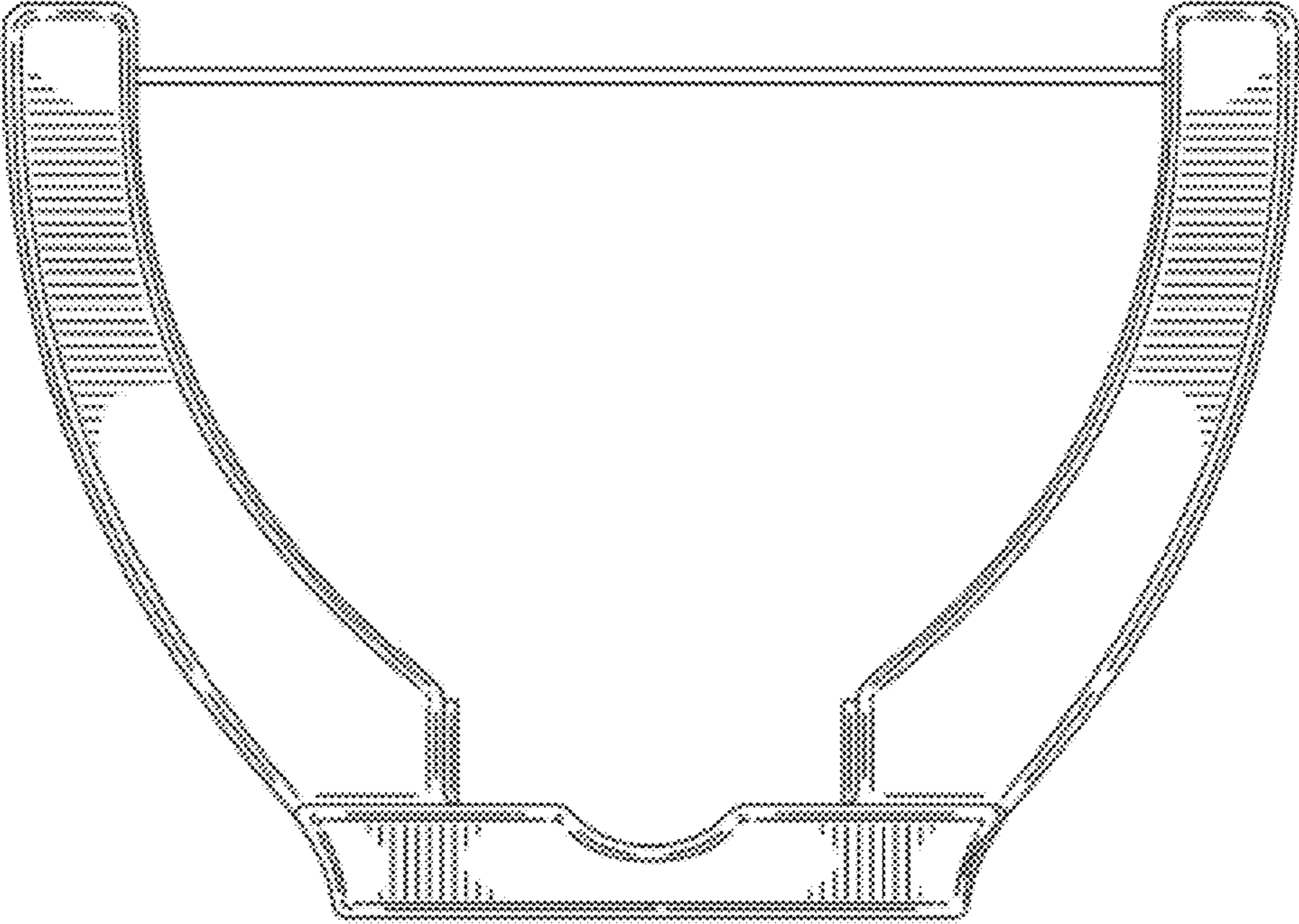
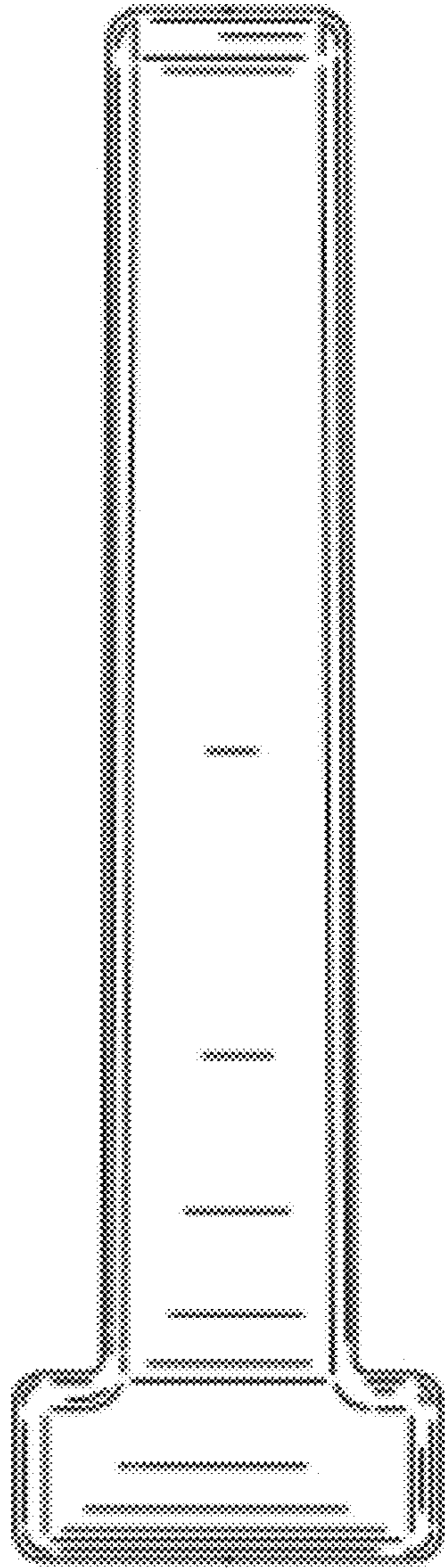


FIG. 2





**FIG. 3**

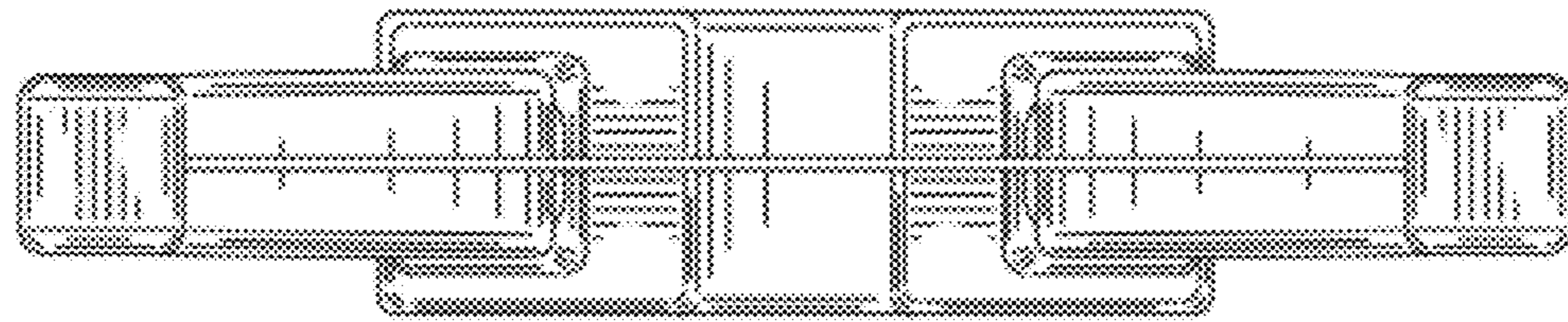


FIG. 4

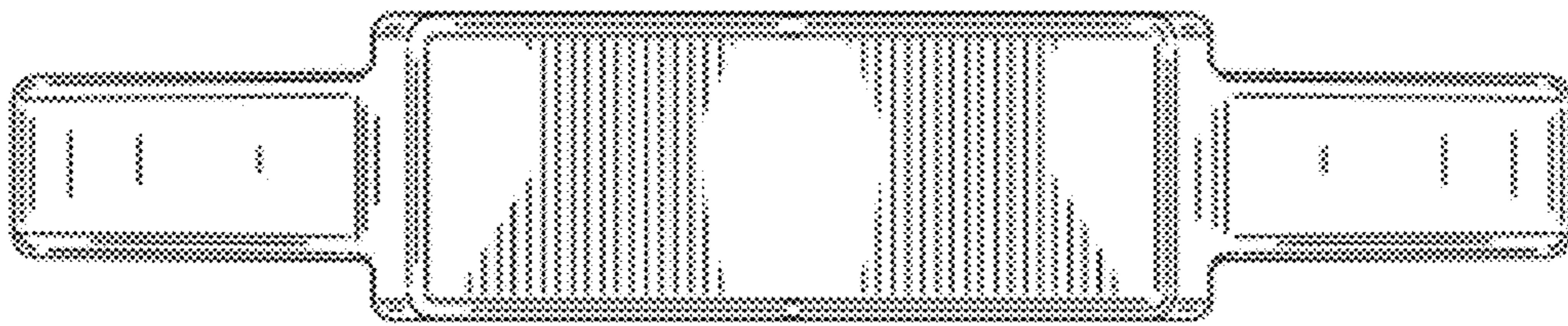


FIG. 5