



US00D671682S

(12) **United States Design Patent**
Grienay

(10) **Patent No.:** **US D671,682 S**

(45) **Date of Patent:** **** Nov. 27, 2012**

(54) **COMBINED BASE AND TANK FOR USE WITH A HAIR STRAIGHTENING APPARATUS**

D481,673 S * 11/2003 Hsu D13/107
(Continued)

(75) Inventor: **Arnaud Grienay**, Lyons (FR)

FOREIGN PATENT DOCUMENTS
EP 000112784-0001 12/2003
(Continued)

(73) Assignee: **Calor**, Lyons (FR)

(**) Term: **14 Years**

Primary Examiner — Jennifer Rivard
(74) *Attorney, Agent, or Firm* — Loeb & Loeb LLP

(21) Appl. No.: **29/410,034**

(22) Filed: **Jan. 3, 2012**

(57) **CLAIM**

The ornamental design for a combined base and tank for use with a hair straightening apparatus, as shown and described.

(30) **Foreign Application Priority Data**

Jul. 5, 2011 (EM) 001284020-0001
Jul. 5, 2011 (EM) 001284020-0002
Jul. 5, 2011 (EM) 001284020-0003
Jul. 5, 2011 (EM) 001284020-0004

DESCRIPTION

(51) **LOC (9) Cl.** **28-03**

(52) **U.S. Cl.** **D28/38**

(58) **Field of Classification Search** D28/35-38;
132/223-272; 219/222, 225-226; 392/403;
D32/17

See application file for complete search history.

FIG. 1 is a front perspective view of an embodiment of a combined base and tank for use with a hair straightening apparatus.

FIG. 2 is a rear perspective view of the combined base and tank for use with a hair straightening apparatus of FIG. 1.

FIG. 3 is a left side elevational view of the combined base and tank for use with a hair straightening apparatus of FIG. 1.

FIG. 4 is a right side elevational view of the combined base and tank for use with a hair straightening apparatus of FIG. 1.

FIG. 5 is a front elevational view of the combined base and tank for use with a hair straightening apparatus of FIG. 1.

FIG. 6 is a rear elevational view of the combined base and tank for use with a hair straightening apparatus of FIG. 1; and,

FIG. 7 is a top plan view of the combined base and tank for use with a hair straightening apparatus of FIG. 1.

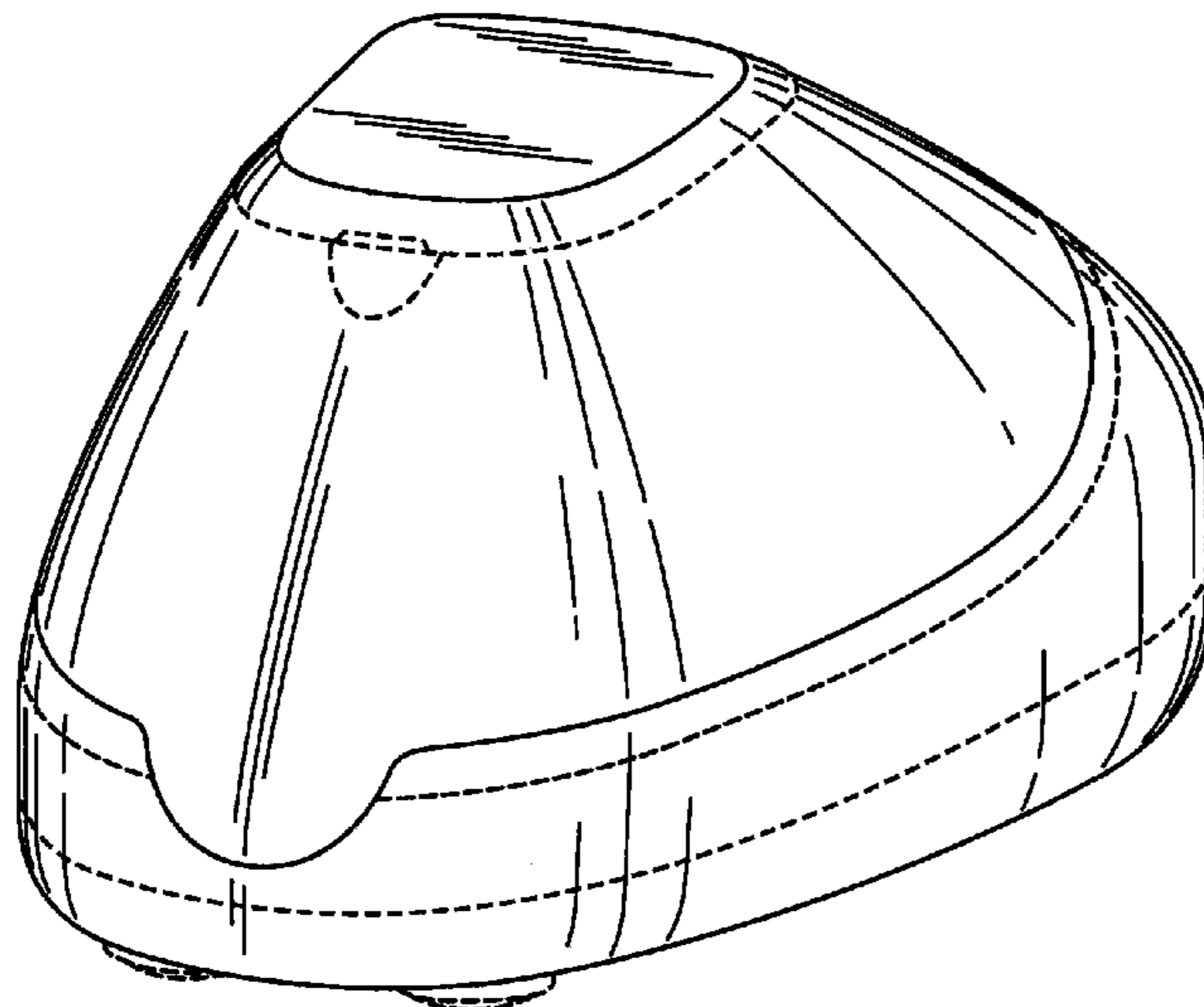
The broken lines appearing in the figures are for the purpose of illustrating the environmental structure of the article of the claimed design and form no part of the claimed design.

(56) **References Cited**

U.S. PATENT DOCUMENTS

3,946,196 A * 3/1976 Waters et al. 219/222
4,499,355 A * 2/1985 Walter 219/618
4,803,341 A * 2/1989 Barowski et al. 219/222
5,309,930 A * 5/1994 Presser 132/272
D357,766 S * 4/1995 Prince et al. D28/38
D362,922 S * 10/1995 Prince et al. D28/38
D363,140 S * 10/1995 Accumanno et al. D28/38
5,715,360 A * 2/1998 Montagnino 392/403
5,749,379 A * 5/1998 Stillwagon et al. 132/200
5,798,500 A * 8/1998 Stillwagon et al. 219/242
5,896,864 A * 4/1999 Boyle et al. 132/228

1 Claim, 7 Drawing Sheets



US D671,682 S

Page 2

U.S. PATENT DOCUMENTS

D489,843 S * 5/2004 Malone D28/35
D536,483 S 2/2007 Lun et al.
7,171,704 B2 * 2/2007 Johnson 4/518
D606,251 S 12/2009 Leung
D606,255 S 12/2009 Leung
D621,094 S * 8/2010 Kaizuka D28/38
D627,926 S 11/2010 Nenadich
D643,974 S 8/2011 Renault
D649,288 S * 11/2011 Koehler D28/35
D650,525 S * 12/2011 Cafaro et al. D28/35
D654,621 S * 2/2012 Grienay D28/35
2009/0159093 A1 6/2009 Yu
2010/0288298 A1 * 11/2010 Serresvives et al. 132/272
2012/0111356 A1 * 5/2012 Vacheron et al. 132/228

FOREIGN PATENT DOCUMENTS

EP 000903547-0001 3/2008
EP 000997994-0001 9/2008
EP 001054423-0001 12/2008
EP 004054423-0002 12/2008
EP 001100614-0001 3/2009
EP 001135875-0015 5/2009
EP 001135875-0017 5/2009
EP 001150510-0001 6/2009
EP 001150510-0002 6/2009
EP 001135875-0012 7/2009
EP 001135875-0014 7/2009
EP 001168165-0001 9/2009
EP 001190623-0001 1/2010
WO DM/072796 12/2009

* cited by examiner

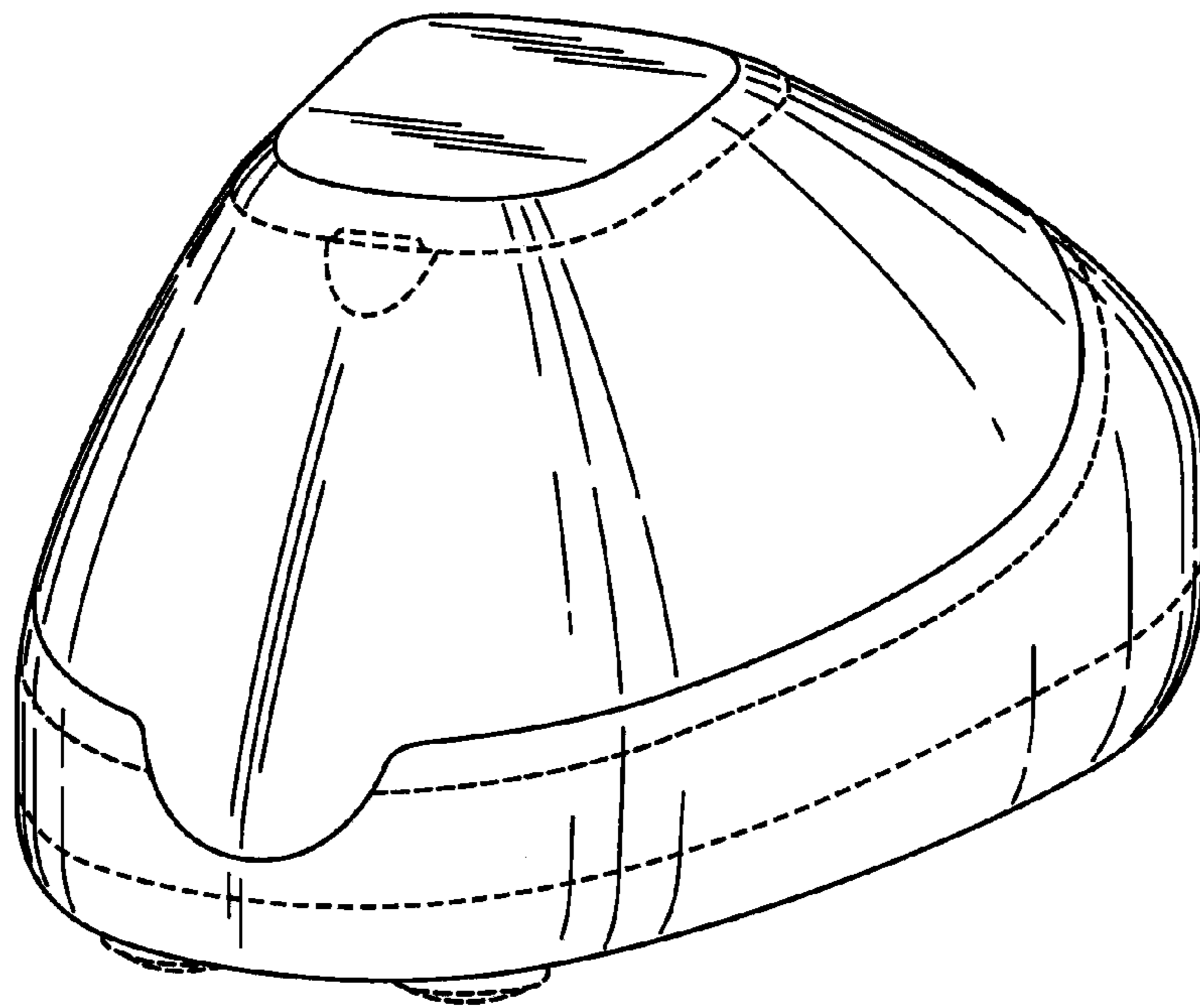


FIG. 1

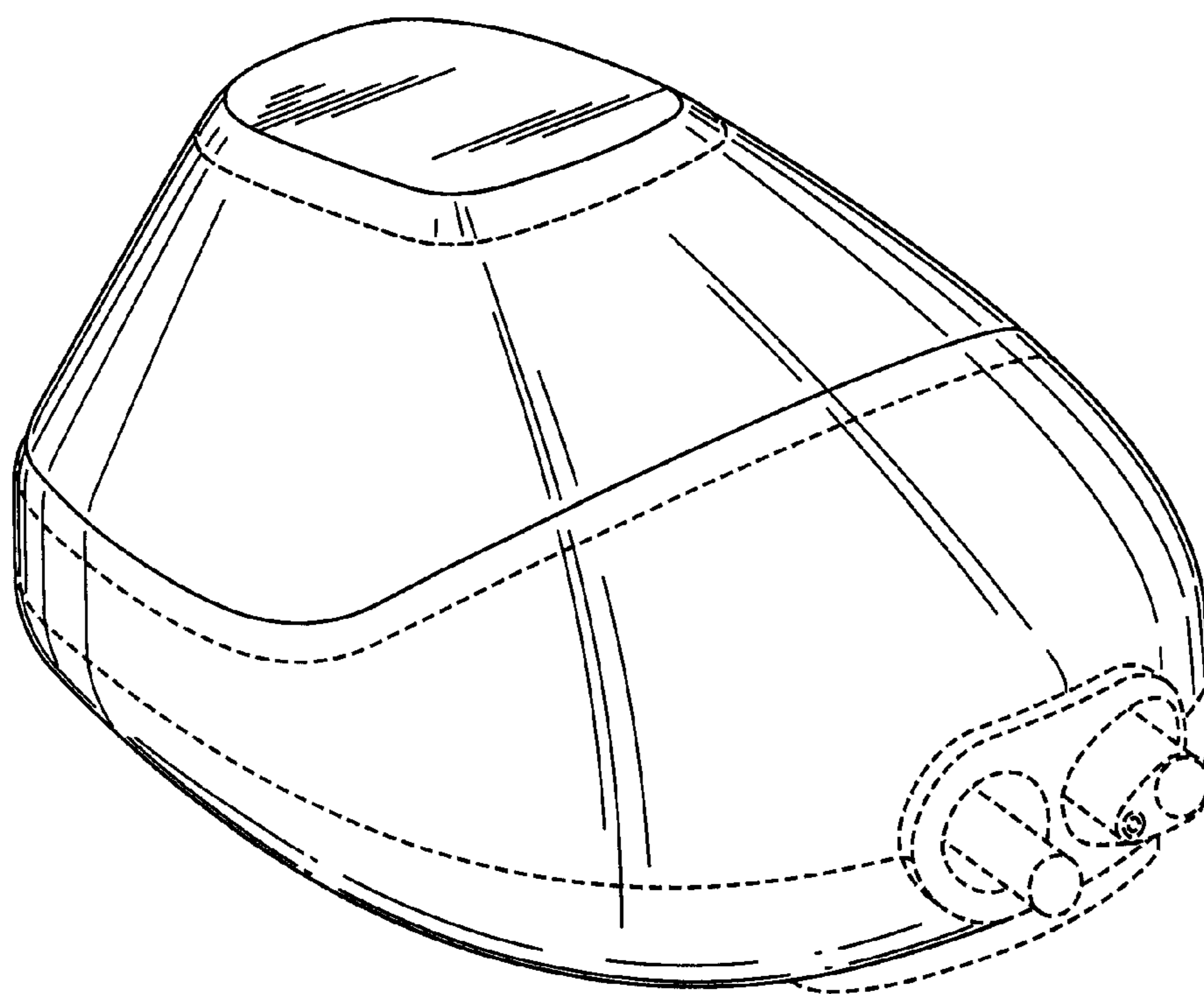


FIG. 2

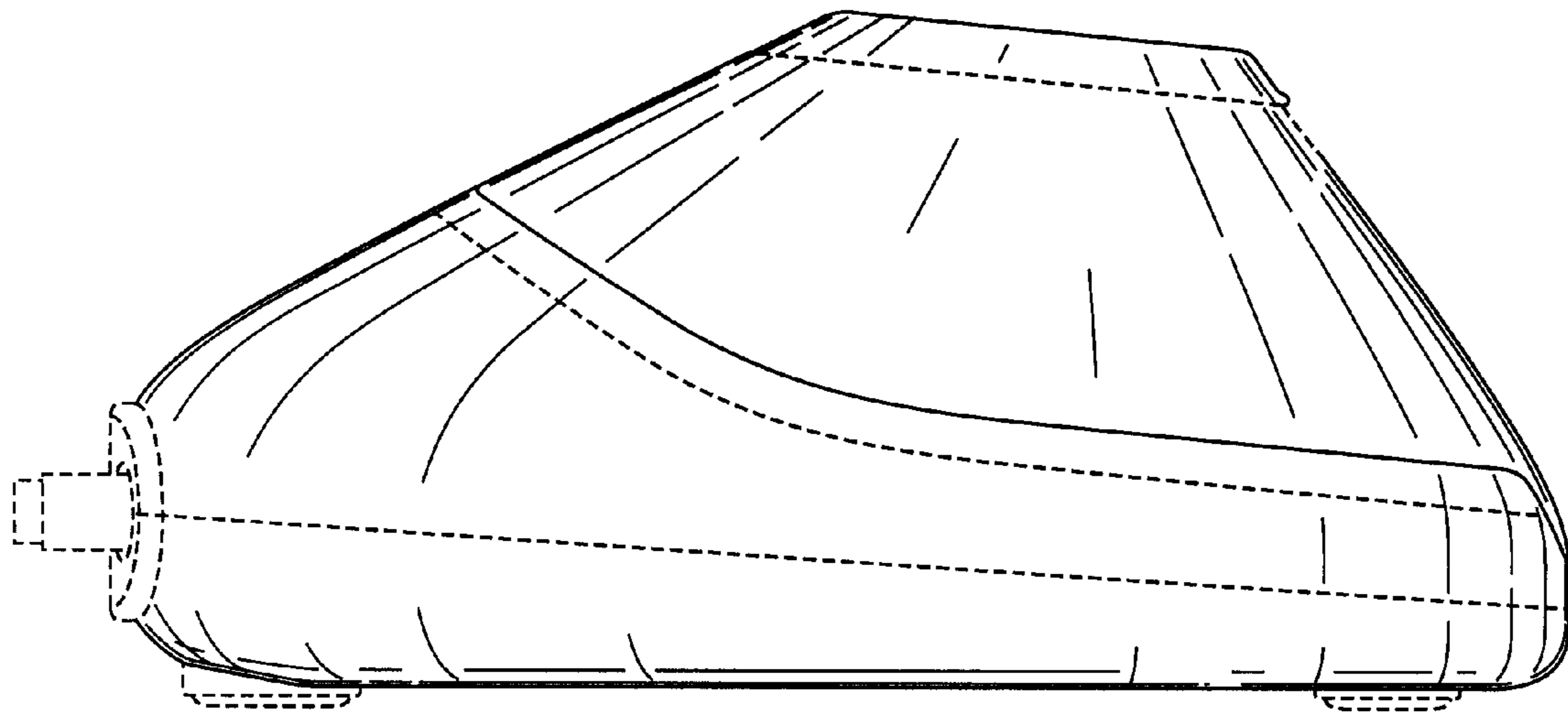


FIG. 3

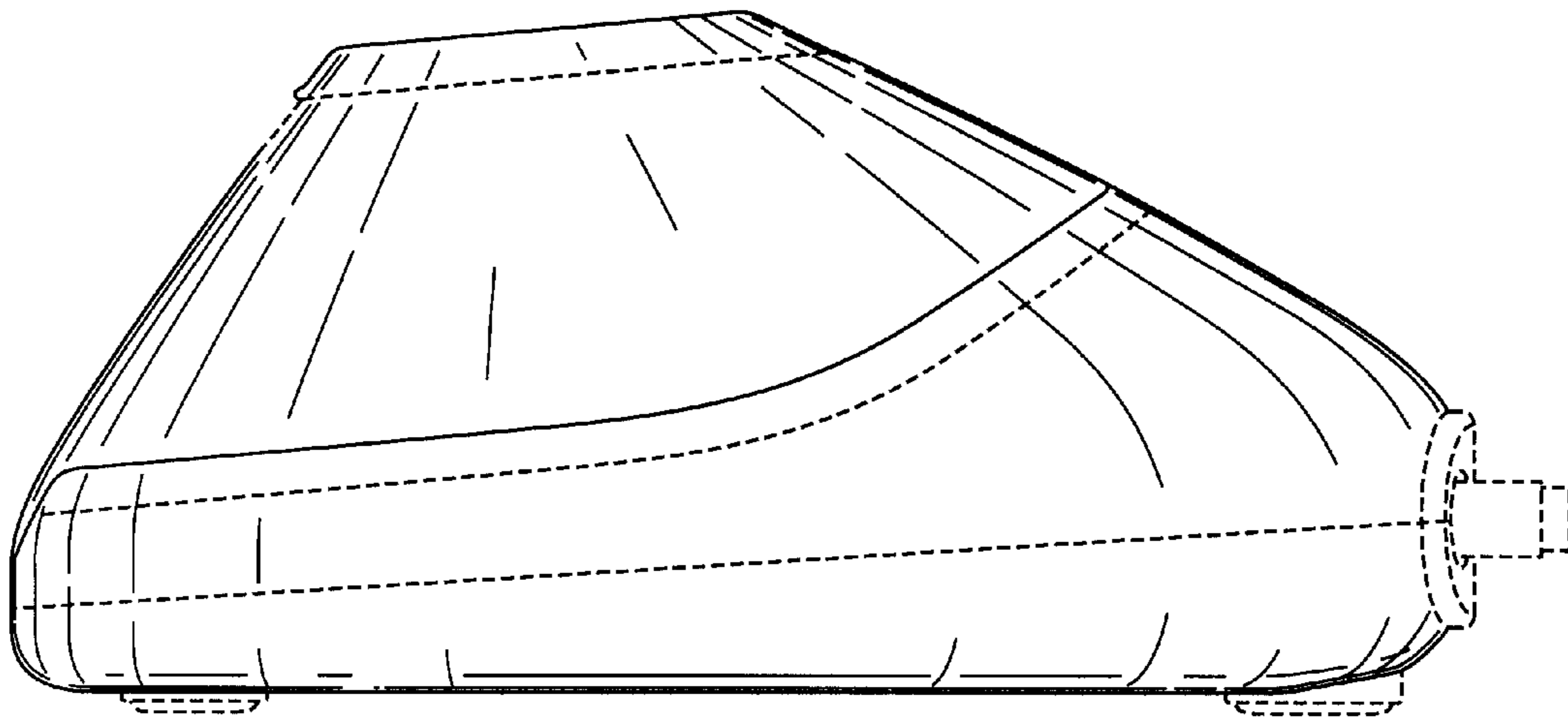


FIG. 4

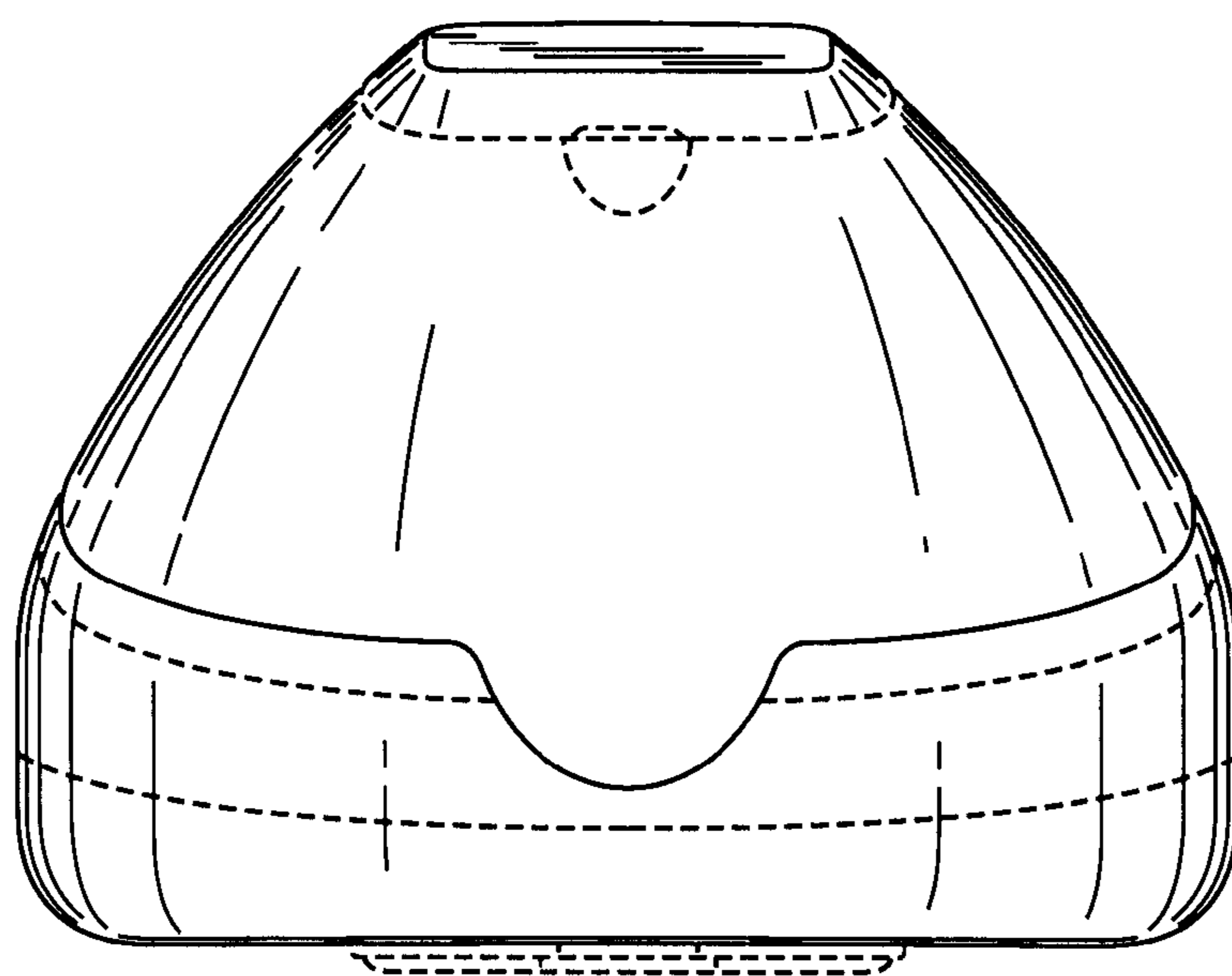


FIG. 5

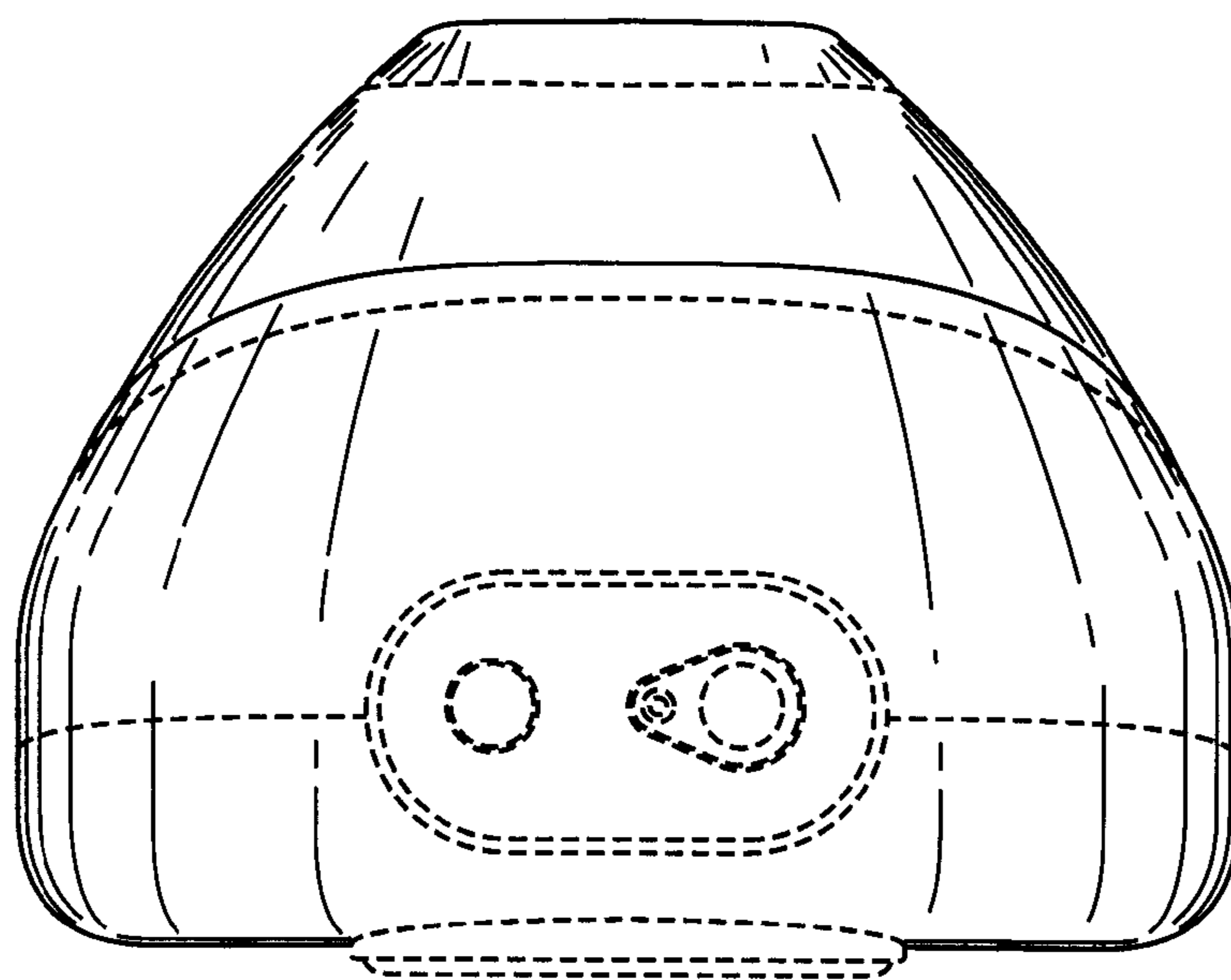


FIG. 6

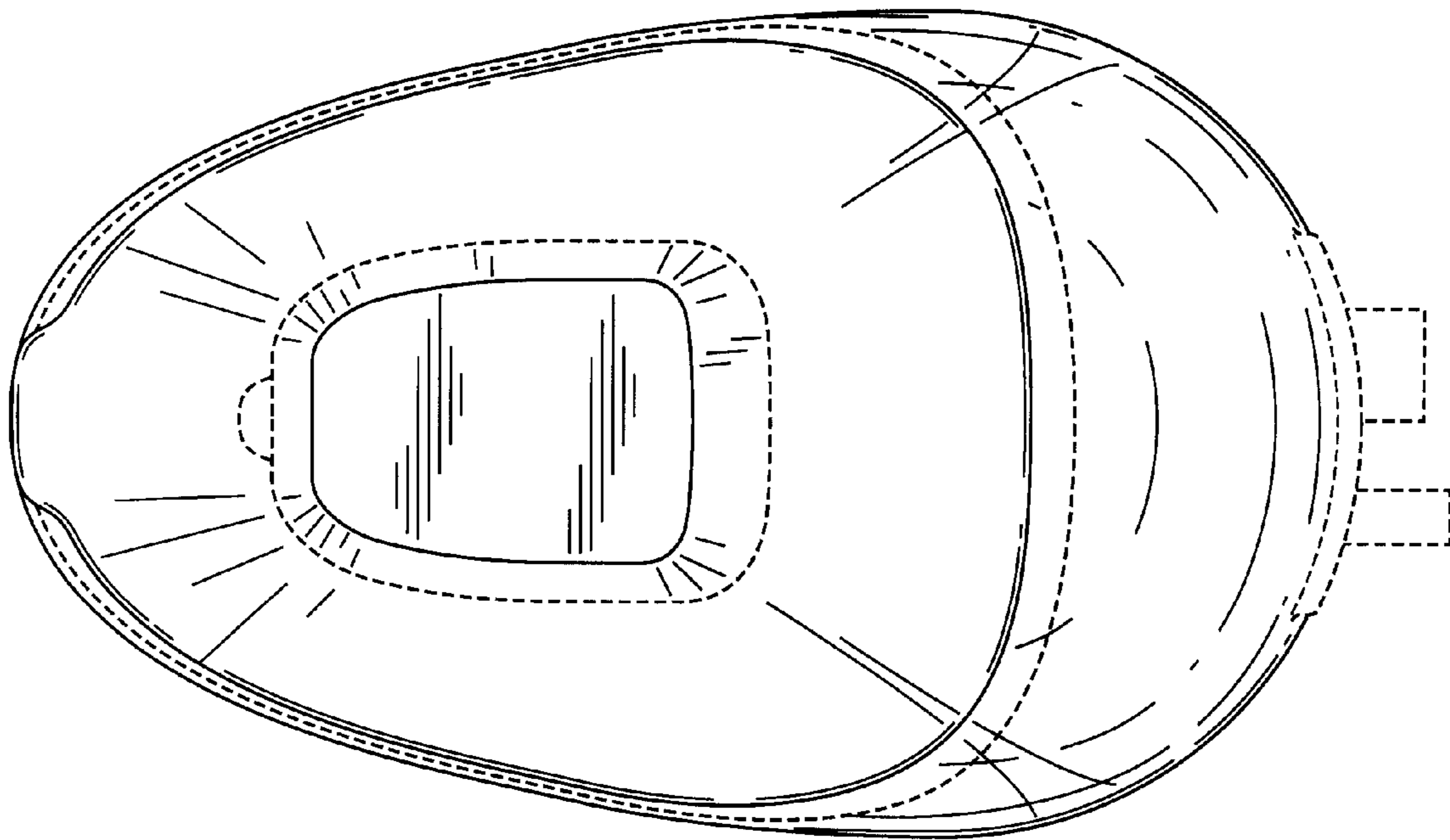


FIG. 7