



US00D671681S

(12) **United States Design Patent**
Grienay

(10) **Patent No.:** **US D671,681 S**

(45) **Date of Patent:** **** Nov. 27, 2012**

(54) **BASE FOR USE WITH A HAIR STRAIGHTENING APPARATUS**

(75) Inventor: **Arnaud Grienay**, Lyons (FR)

(73) Assignee: **Calcr**, Lyons (FR)

(**) Term: **14 Years**

(21) Appl. No.: **29/410,031**

(22) Filed: **Jan. 3, 2012**

(30) **Foreign Application Priority Data**

Jul. 5, 2011	(EM)	001284020-0001
Jul. 5, 2011	(EM)	001284020-0002
Jul. 5, 2011	(EM)	001284020-0003
Jul. 5, 2011	(EM)	001284020-0004

(51) **LOC (9) Cl.** **28-03**

(52) **U.S. Cl.** **D28/38**

(58) **Field of Classification Search** D28/35-38;
132/223-272; 219/222, 225-226; 392/403;
D32/17

See application file for complete search history.

(56) **References Cited**

U.S. PATENT DOCUMENTS

3,946,196	A *	3/1976	Waters et al.	219/222
4,499,355	A *	2/1985	Walter	219/618
4,803,341	A *	2/1989	Barowski et al.	219/222
5,309,930	A *	5/1994	Presser	132/272
D357,766	S *	4/1995	Prince et al.	D28/38
D362,922	S *	10/1995	Prince et al.	D28/38
D363,140	S *	10/1995	Accumanno et al.	D28/38
5,715,360	A *	2/1998	Montagnino	392/403
5,749,379	A *	5/1998	Stillwagon et al.	132/200
5,798,500	A *	8/1998	Stillwagon et al.	219/242
5,896,864	A *	4/1999	Boyle et al.	132/228

D481,673	S *	11/2003	Hsu	D13/107
D489,843	S *	5/2004	Malone	D28/35
D536,483	S	2/2007	Lun et al.	
7,171,704	B2 *	2/2007	Johnson	4/518
D606,251	S	12/2009	Leung	

(Continued)

FOREIGN PATENT DOCUMENTS

EP 000112784-0001 12/2003

(Continued)

Primary Examiner — Jennifer Rivard

(74) *Attorney, Agent, or Firm* — Loeb & Loeb LLP

(57) **CLAIM**

The ornamental design for a base for use with a hair straightening apparatus, as shown and described.

DESCRIPTION

FIG. 1 is a front perspective view of an embodiment of a base for use with a hair straightening apparatus.

FIG. 2 is a rear perspective view of the base for use with a hair straightening apparatus of FIG. 1.

FIG. 3 is a left side elevational view of the base for use with a hair straightening apparatus of FIG. 1.

FIG. 4 is a right side elevational view of the base for use with a hair straightening apparatus of FIG. 1.

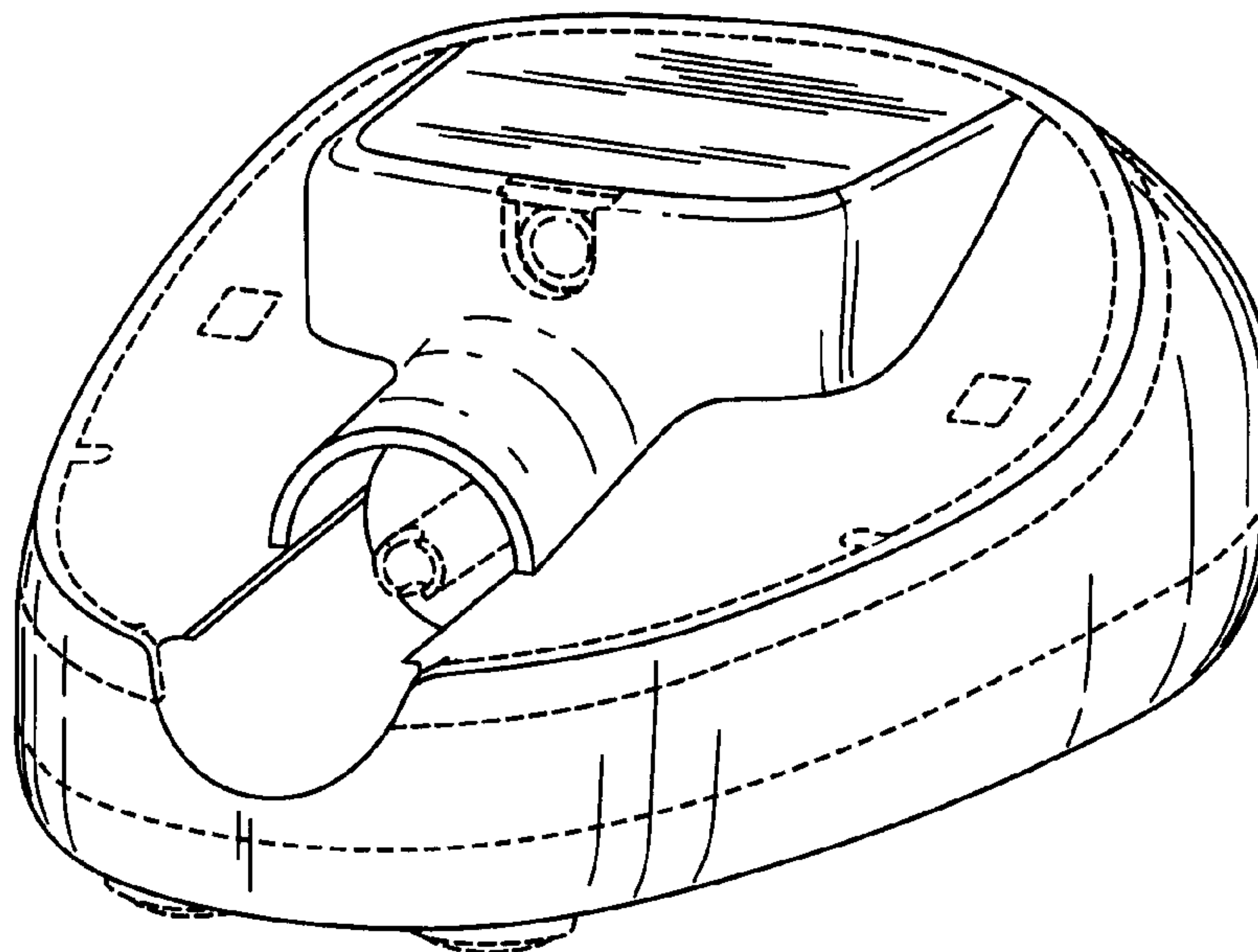
FIG. 5 is a front elevational view of the base for use with a hair straightening apparatus of FIG. 1.

FIG. 6 is a rear elevational view of the base for use with a hair straightening apparatus of FIG. 1; and,

FIG. 7 is a top plan view of the base for use with a hair straightening apparatus of FIG. 1.

The broken lines appearing in the figures are for the purpose of illustrating the environmental structure of the article of the claimed design and form no part of the claimed design.

1 Claim, 7 Drawing Sheets



US D671,681 S

Page 2

U.S. PATENT DOCUMENTS						
				EP	001054423-0001	12/2008
D606,255	S	12/2009	Leung	EP	001054423-1002	12/2008
D621,094	S *	8/2010	Kaizuka D28/38	EP	001100614-0001	3/2009
D627,926	S	11/2010	Nenadich	EP	001135875-0015	5/2009
D643,974	S	8/2011	Renault	EP	001135875-0017	5/2009
D649,288	S *	11/2011	Koehler D28/35	EP	001150510-0001	6/2009
D650,525	S *	12/2011	Cafaro et al. D28/35	EP	001150510-0002	6/2009
D654,621	S *	2/2012	Grienay D28/35	EP	001135875-0012	7/2009
2009/0159093	A1	6/2009	Yu	EP	001135875-0014	7/2009
2010/0288298	A1 *	11/2010	Serresvives et al. 132/272	EP	001168165-0001	9/2009
2012/0111356	A1 *	5/2012	Vacheron et al. 132/228	EP	001190623-0001	1/2010
FOREIGN PATENT DOCUMENTS				WO	DM/072796	12/2009
EP	000903547-0001		3/2008			
EP	000997994-0001		9/2008			

* cited by examiner

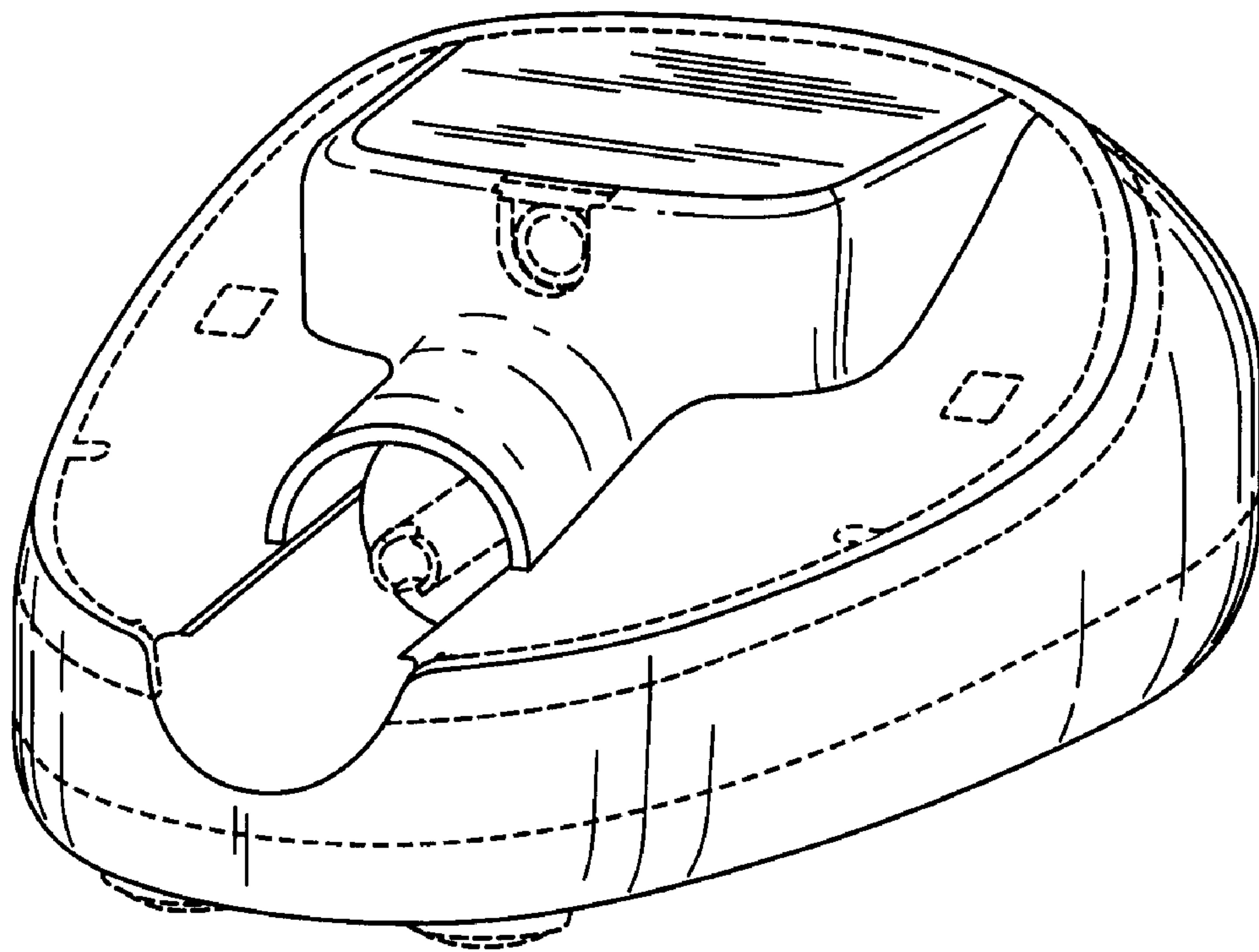


FIG. 1

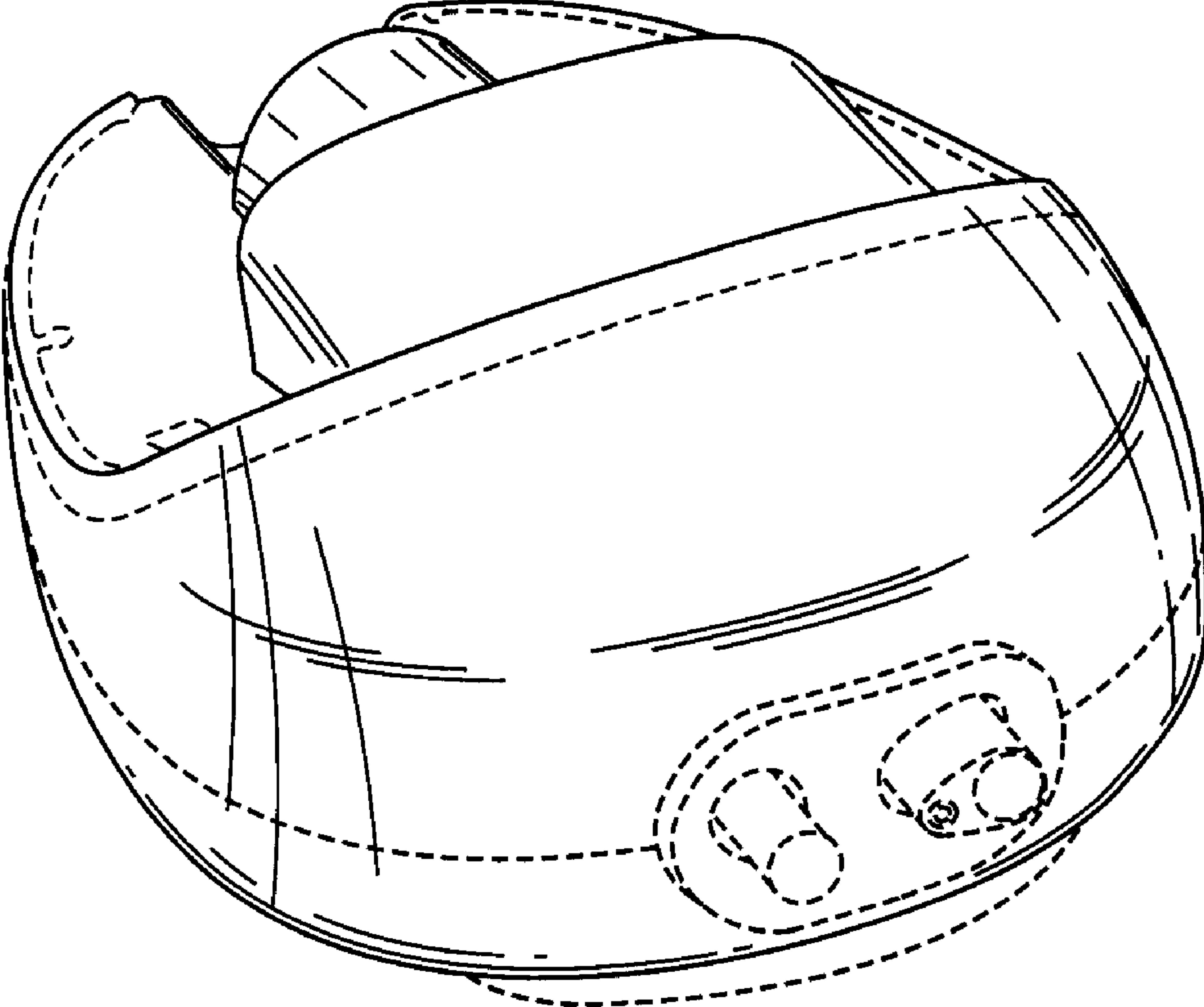


FIG. 2

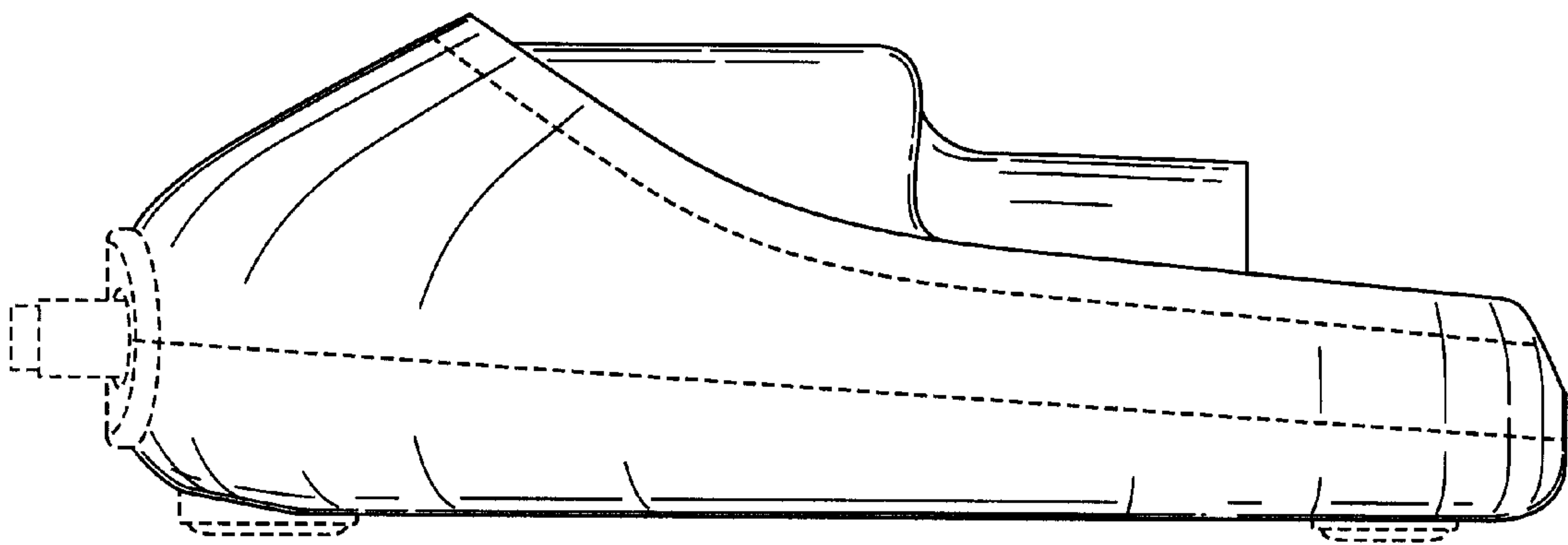


FIG. 3

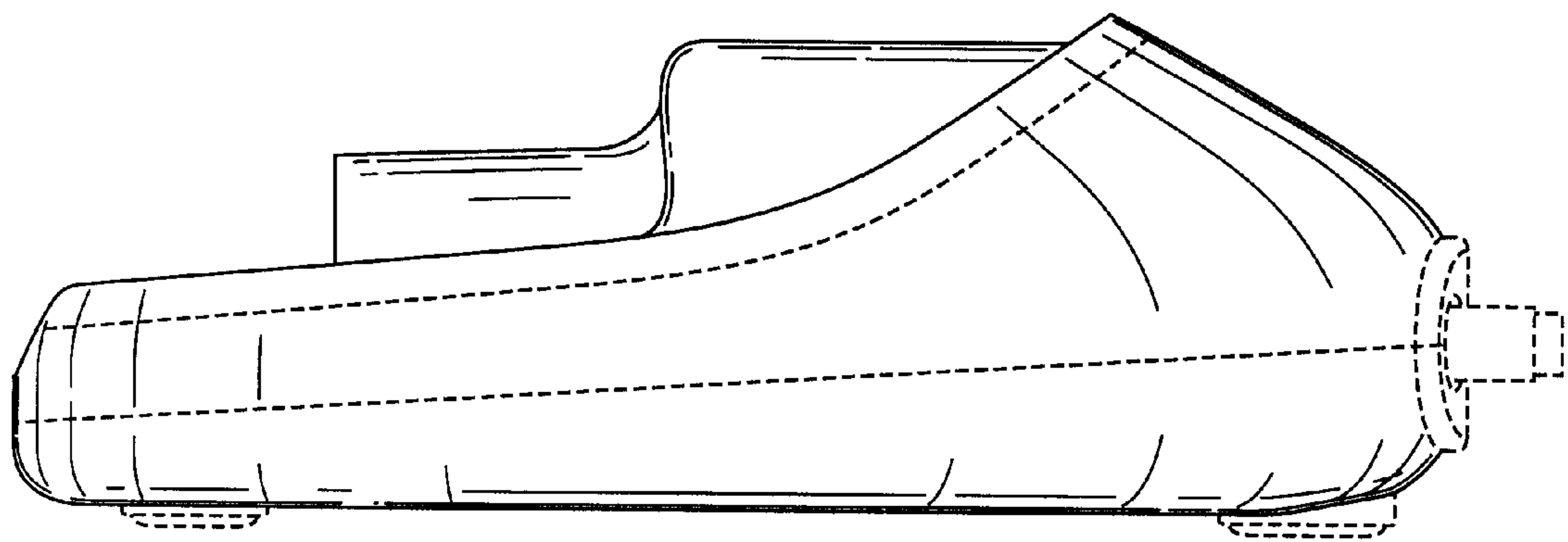


FIG. 4

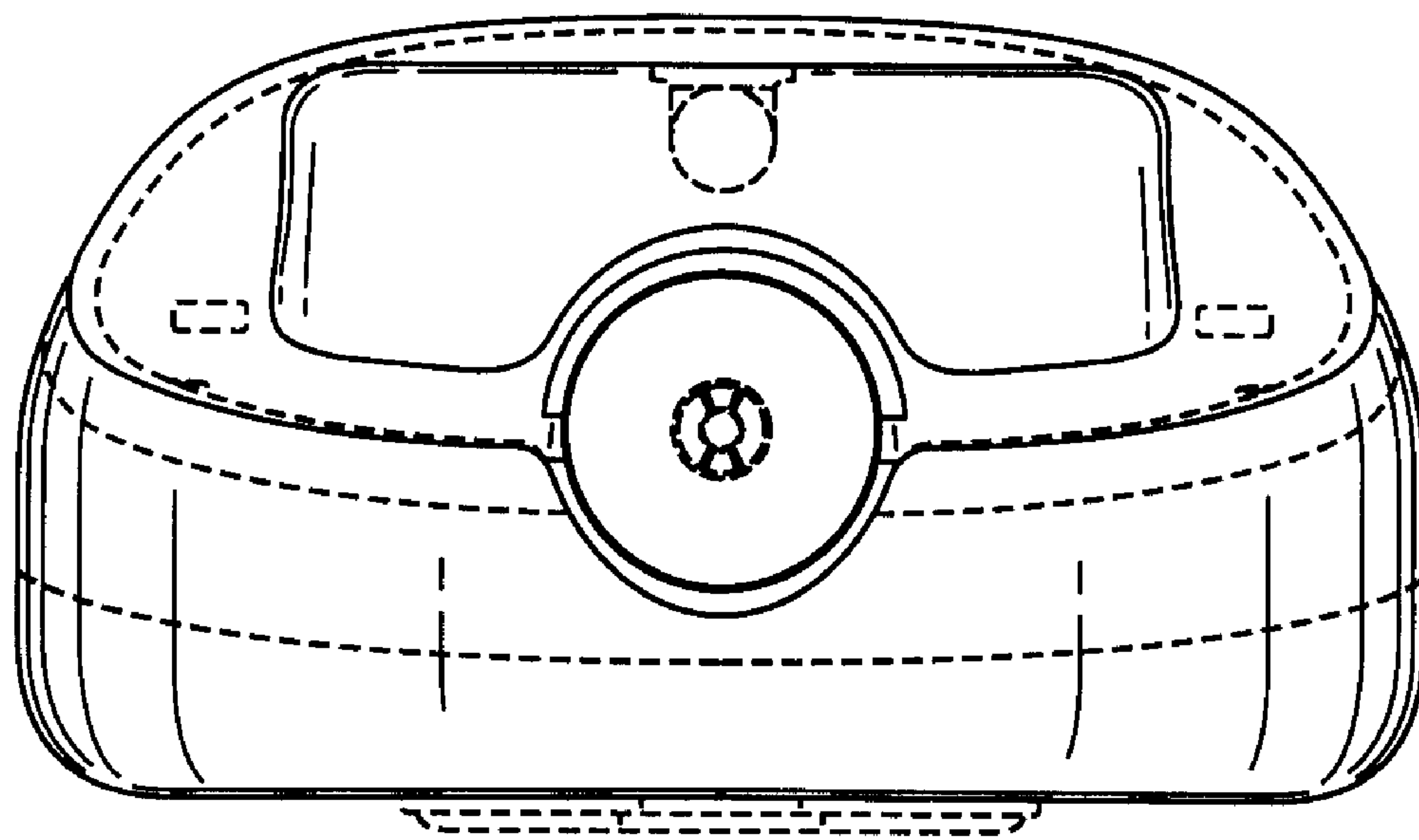


FIG. 5

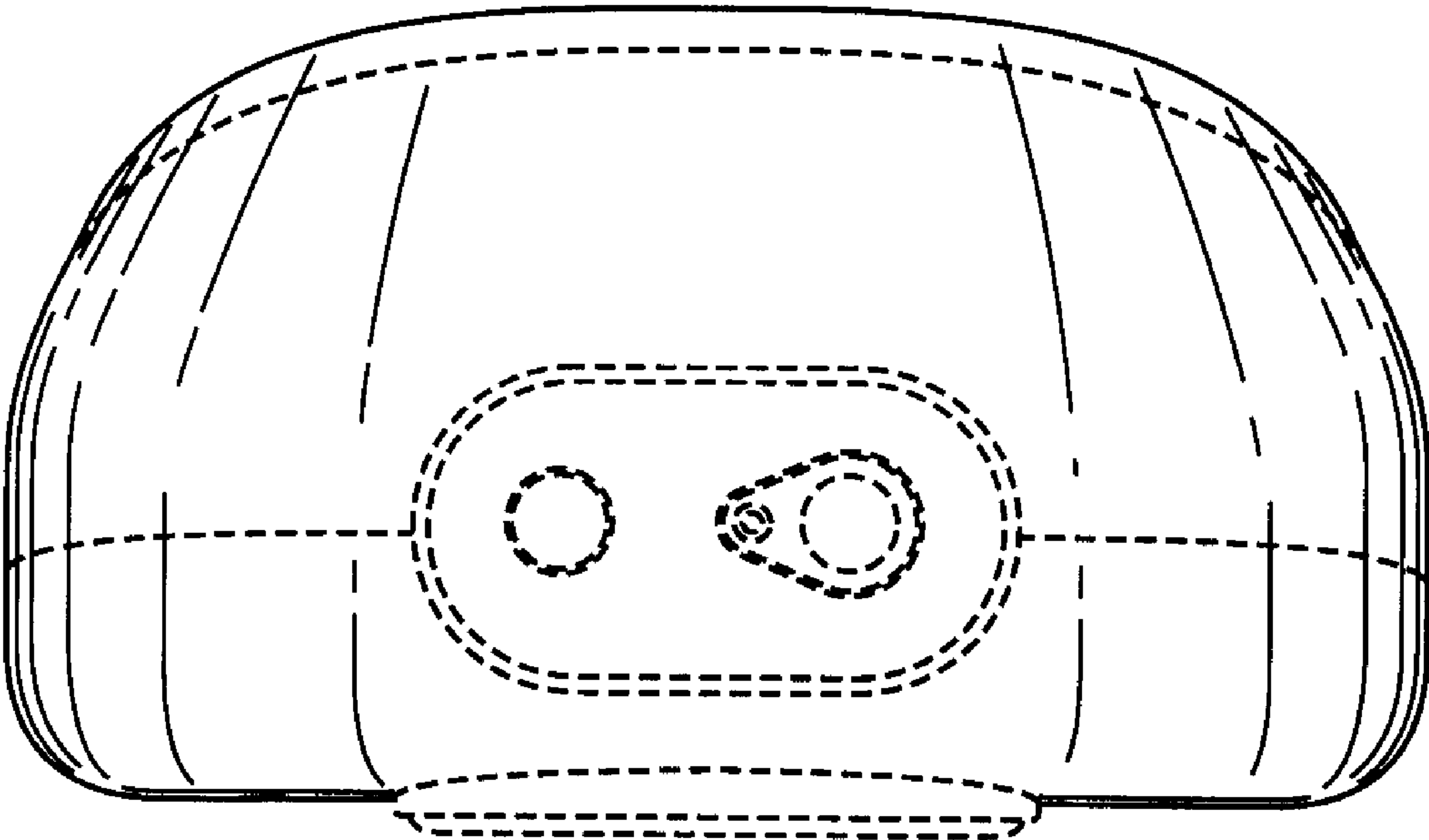


FIG. 6

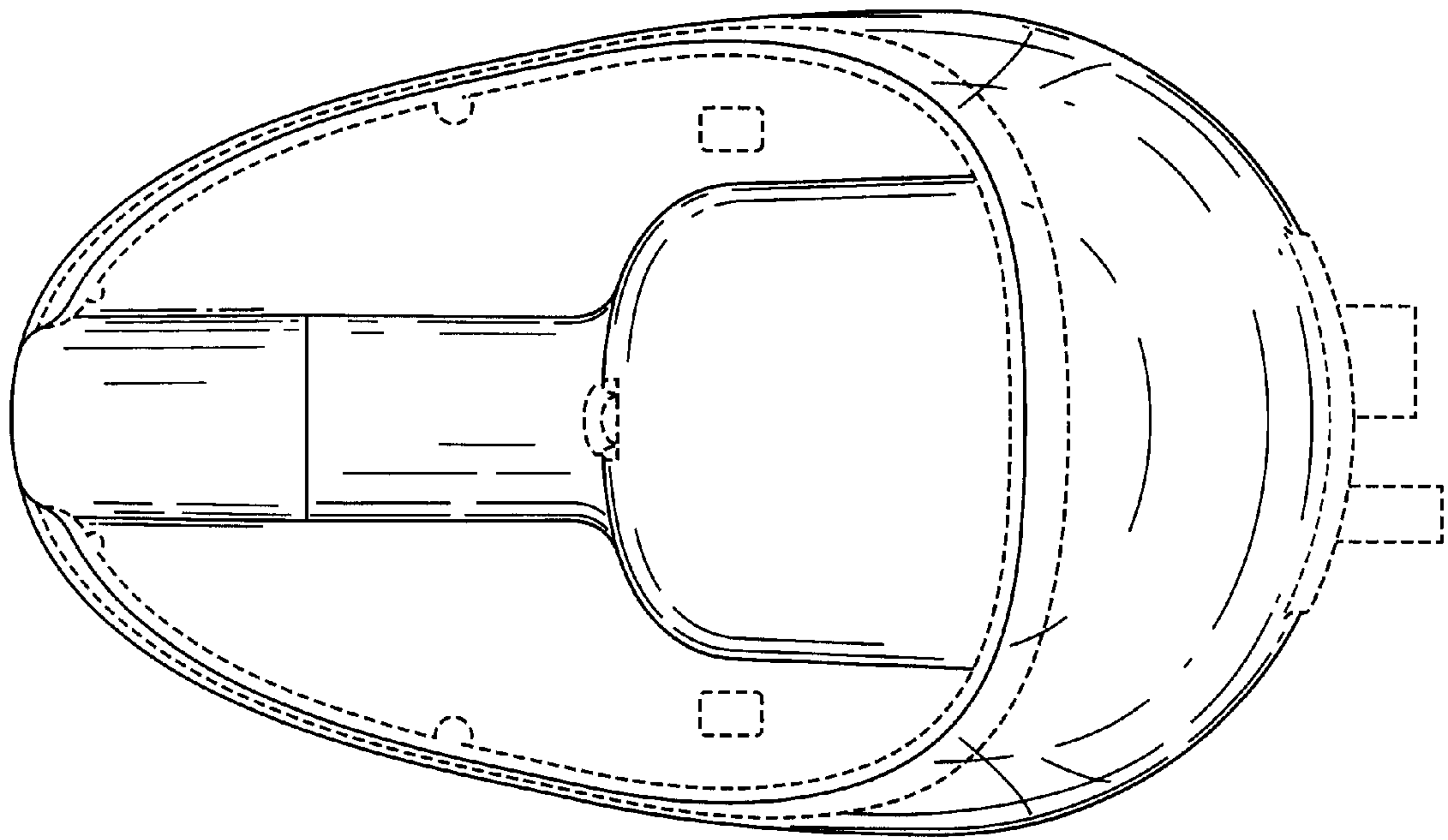


FIG. 7

UNITED STATES PATENT AND TRADEMARK OFFICE
CERTIFICATE OF CORRECTION

PATENT NO. : D671,681 S
APPLICATION NO. : 29/410031
DATED : November 27, 2012
INVENTOR(S) : Arnaud Grienay

Page 1 of 1

It is certified that error appears in the above-identified patent and that said Letters Patent is hereby corrected as shown below:

Title Page

Item (73), Assignee: delete "Calcr" and insert --Calor--.

Signed and Sealed this
Eighteenth Day of June, 2013



Teresa Stanek Rea
Acting Director of the United States Patent and Trademark Office