



US00D671680S

(12) **United States Design Patent**
Ramirez

(10) **Patent No.:** **US D671,680 S**

(45) **Date of Patent:** **** Nov. 27, 2012**

(54) **BOBBY PINS COMB**

(76) Inventor: **Jaime Ramirez**, Clear Water, FL (US)

(**) Term: **14 Years**

(21) Appl. No.: **29/424,617**

(22) Filed: **Jun. 13, 2012**

(51) **LOC (9) Cl.** **28-03**

(52) **U.S. Cl.** **D28/30**

(58) **Field of Classification Search** D28/7,
D28/20-34; 132/53, 112, 126, 150, 208,
132/219.216; D32/49; 15/142, 143.1; D30/158,
D30/159

See application file for complete search history.

(56) **References Cited**

U.S. PATENT DOCUMENTS

4,013,086 A * 3/1977 Chmela 132/110
6,286,518 B1 * 9/2001 Laporte 132/116

D472,016 S * 3/2003 Kim et al. D28/25
D573,754 S * 7/2008 Kamemura D28/30
D593,710 S * 6/2009 Wise et al. D28/30

* cited by examiner

Primary Examiner — Zenia Bennett

(74) *Attorney, Agent, or Firm* — QuickPatents, Inc.; Kevin Prince

(57) **CLAIM**

I claim the ornamental design for a bobby pins comb, as shown and described.

DESCRIPTION

FIG. 1 is a perspective view of a bobby pins comb, showing my new design;

FIG. 2 is a right-side elevational view thereof;

FIG. 3 is a bottom plan view thereof;

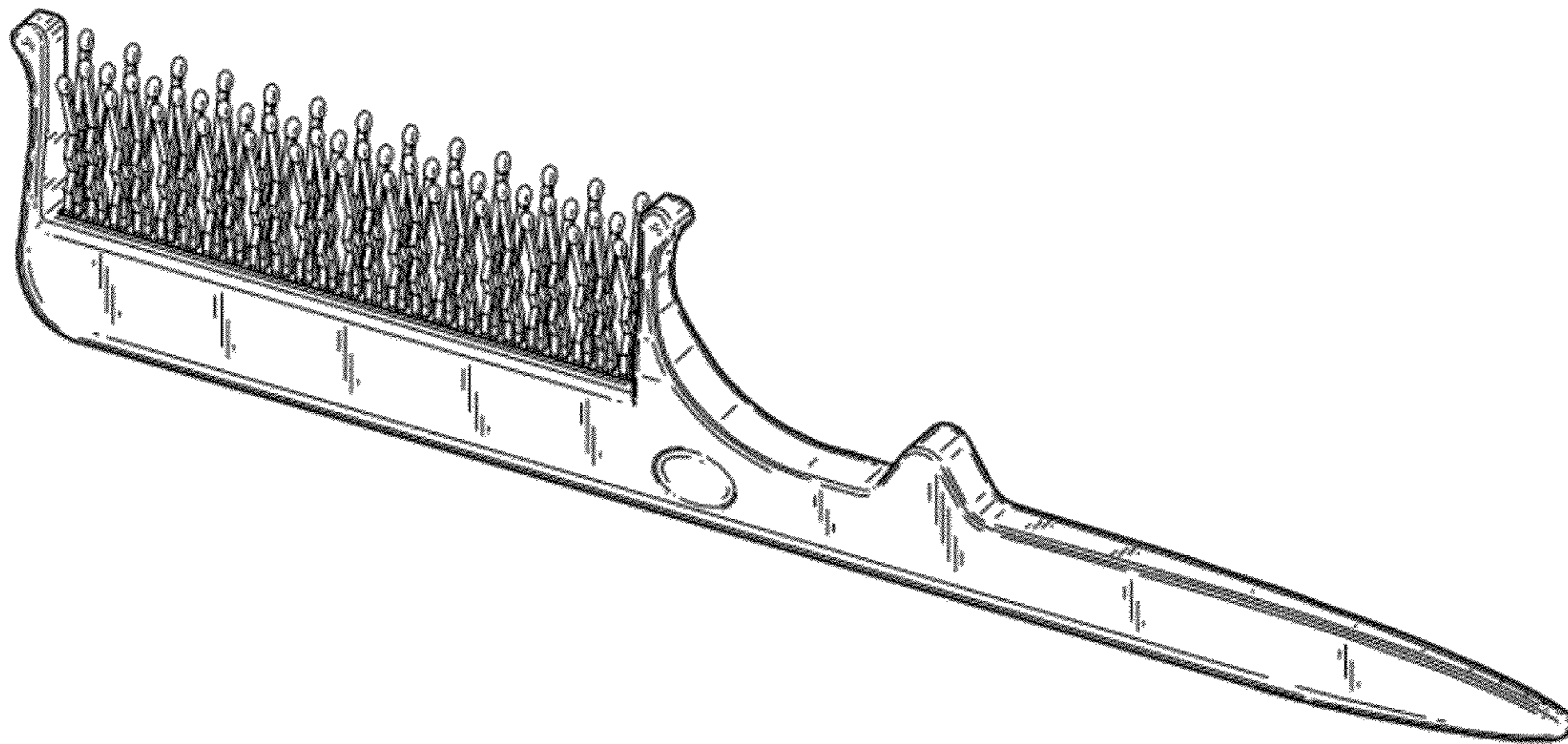
FIG. 4 is a top plan view thereof;

FIG. 5 is a left-side elevational view thereof;

FIG. 6 is a rear elevational view thereof; and,

FIG. 7 is a front elevational view thereof.

1 Claim, 3 Drawing Sheets



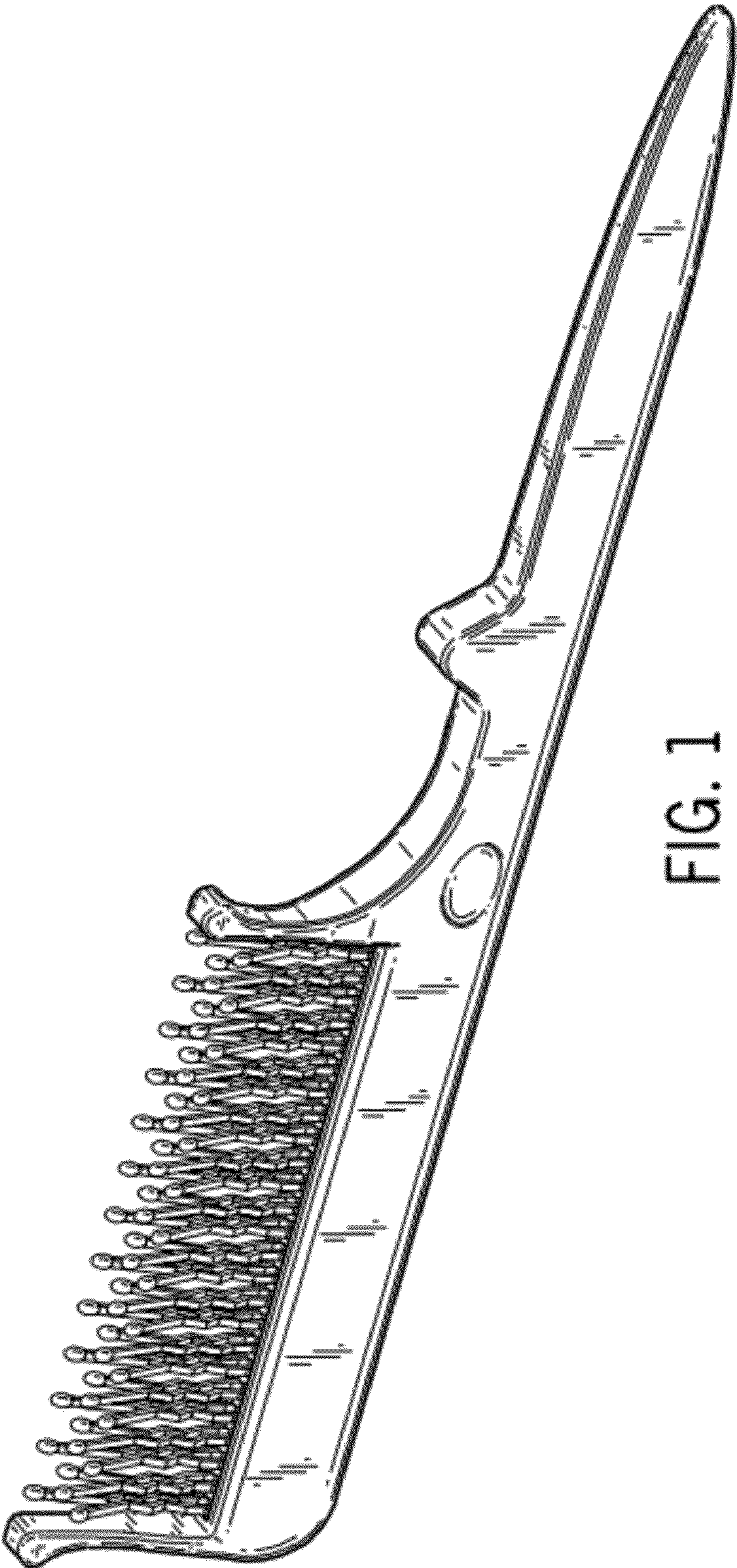


FIG. 1

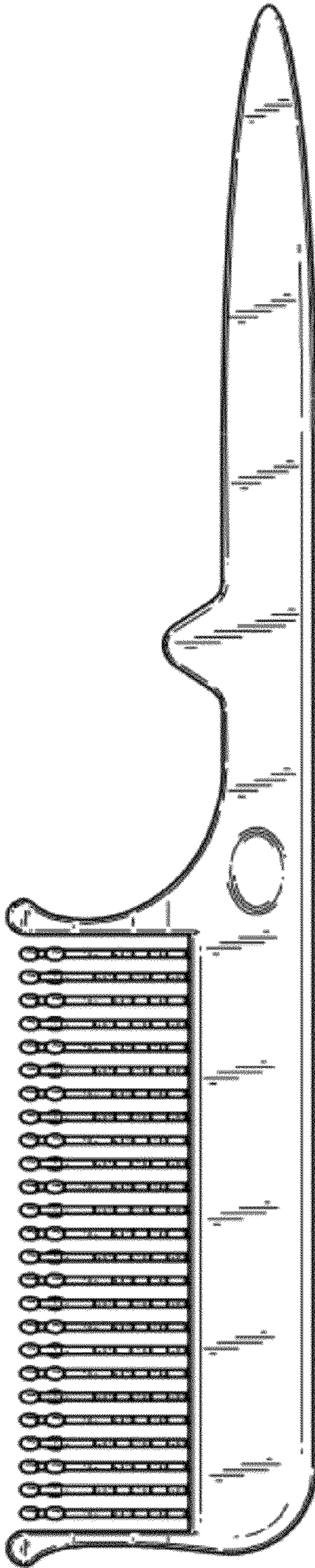


FIG. 2



FIG. 3

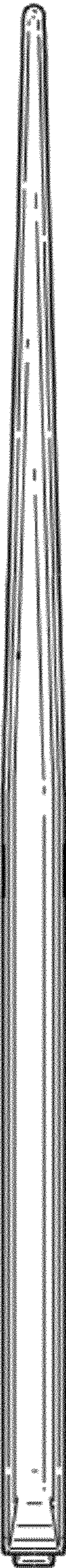


FIG. 4

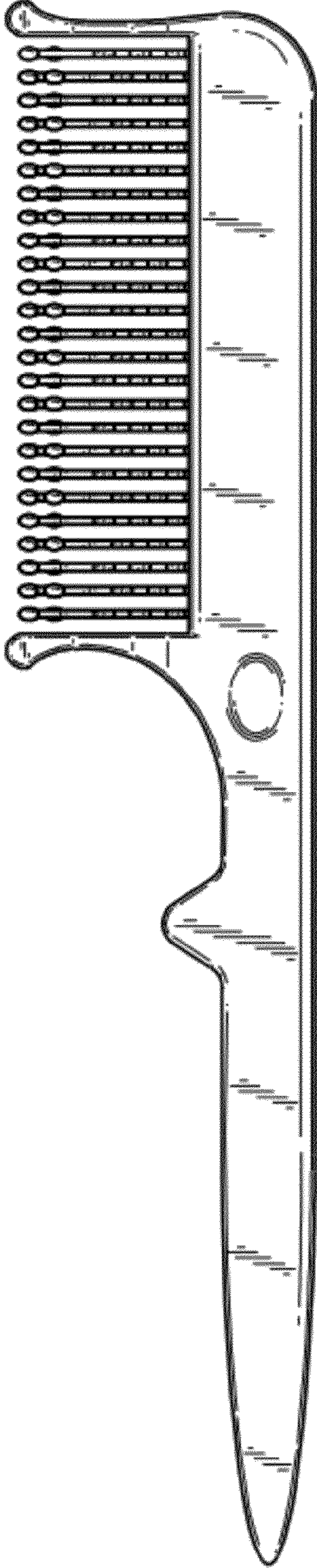


FIG. 5



FIG. 6



FIG. 7