



US00D671675S

(12) **United States Design Patent**
Komarov et al.

(10) **Patent No.:** **US D671,675 S**

(45) **Date of Patent:** **** Nov. 27, 2012**

(54) **LIGHT FIXTURE**

(75) Inventors: **Nikolay Komarov**, Milan (IT); **Sandro Federico Umberto Pizzi**, Milan (IT); **Andrea Putaggio**, Milan (IT); **Sigurdur Thorsteinsson**, Milan (IT); **Federico Casotto**, Bologna (IT); **Huub Ubbens**, Nebian (FR); **Carlo D'Alesio**, Milan (IT); **Piero Santoro**, Milan (IT); **Zoran Jedrejic**, Milan (IT); **Byron E. Trotter**, St. Paul, MN (US); **Matthieu Aquino**, Milan (IT); **Edwin Schaeerlaeckens**, Woodbury, MN (US)

(73) Assignee: **3M Innovative Properties Company**, St. Paul, MN (US)

(**) Term: **14 Years**

(21) Appl. No.: **29/389,268**

(22) Filed: **Apr. 8, 2011**

(51) **LOC (9) Cl.** **26-99**

(52) **U.S. Cl.** **D26/120**

(58) **Field of Classification Search** 40/617, 40/553, 592; D16/101; D13/179, 180; D9/457; D12/400; D8/354, 382; D10/11; D11/79, D11/129, 125, 128, 126, 127, 124, 121, 122, D11/123; D30/133; D6/462, 403; D20/41, D20/42, 10; D25/100, 106; 362/343, 362, 362/246, 260, 256, 223, 125, 565, 647, 350, 362/102; D26/96, 95, 91, 92, 93, 28, 26, D26/27, 144, 131, 94, 126, 24, 25, 140, 141, D26/142, 143, 71, 72, 73, 74, 75, 76, 77, D26/78, 79, 81, 113, 118, 119, 120, 121, D26/122, 39, 138, 135, 139, 145, 155, 154, D26/63, 64, 65, 66, 67, 68, 84, 85, 83, 82, D26/1, 2, 3, 86, 88, 132, 133, 134, 60, 61, D26/62, 123, 124, 125

See application file for complete search history.

(56) **References Cited**

U.S. PATENT DOCUMENTS

D186,130	S	*	9/1959	Izzi et al.	D26/71
D196,670	S	*	10/1963	Kinnear et al.	D26/69
D218,579	S	*	9/1970	Kahn	D10/114.1
D367,719	S	*	3/1996	Rasmusen	D26/28
D535,262	S	*	1/2007	Saito et al.	D13/180
D603,811	S	*	11/2009	Son	D13/180
D626,275	S	*	10/2010	Sabernig	D26/85

* cited by examiner

Primary Examiner — Kevin Rudzinski

(57) **CLAIM**

The ornamental design for a light fixture, as shown and described.

DESCRIPTION

FIG. 1 is a first perspective view of the new design for a light fixture;

FIG. 2 is an end view of the light fixture;

FIG. 3 is a side view of the light fixture

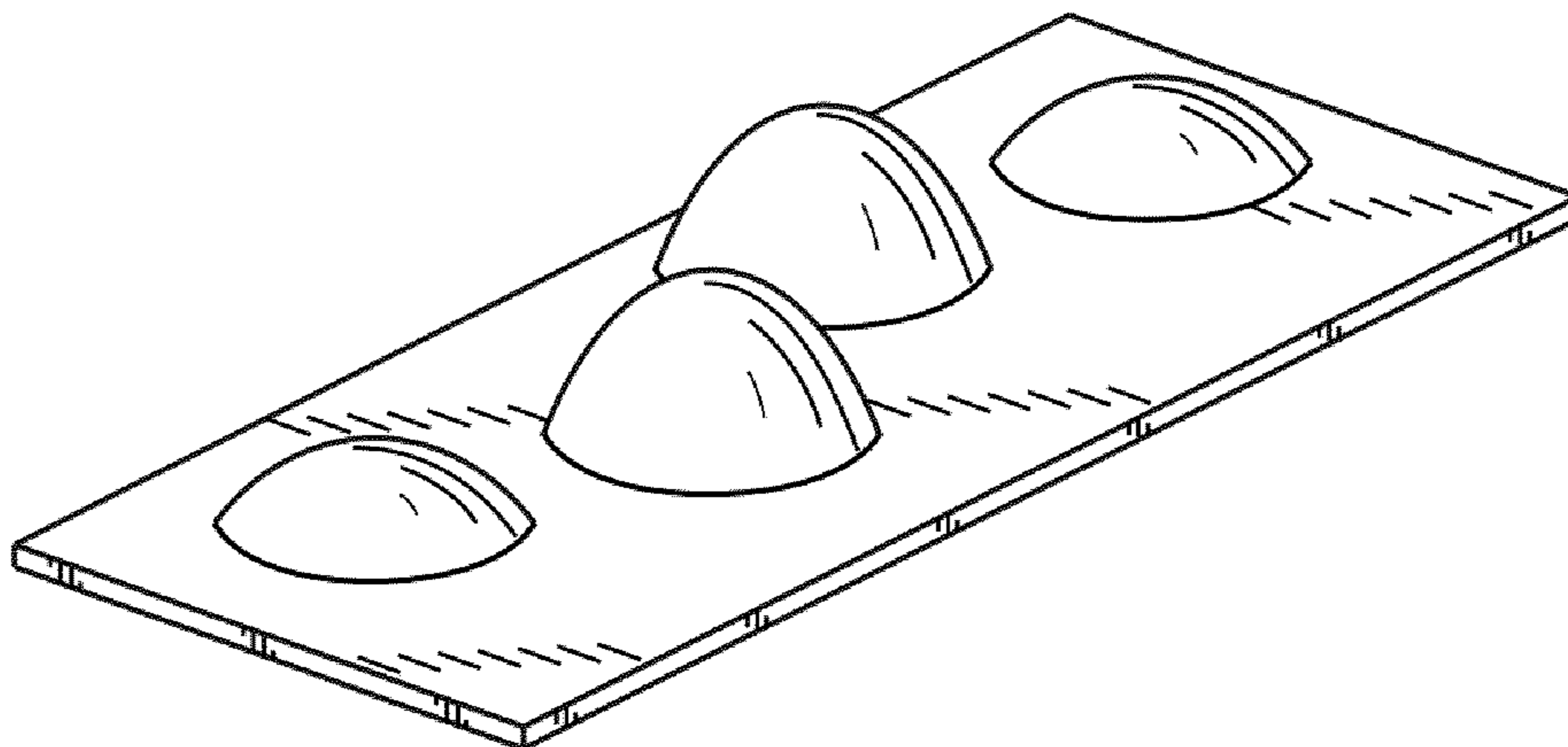
FIG. 4 is a top view looking down at the light fixture; and,

FIG. 5 is a bottom view looking up at the light fixture.

The mounting structure for mounting the light fixture to a wall or ceiling are not shown and form no part of the claimed design. In some embodiments, the mounting structures may not be visible, for example they may be mounted behind a wall or ceiling or covered with a film.

The broken lines shown in the drawings illustrate portions of the light fixture that form no part of the claimed design.

1 Claim, 1 Drawing Sheet



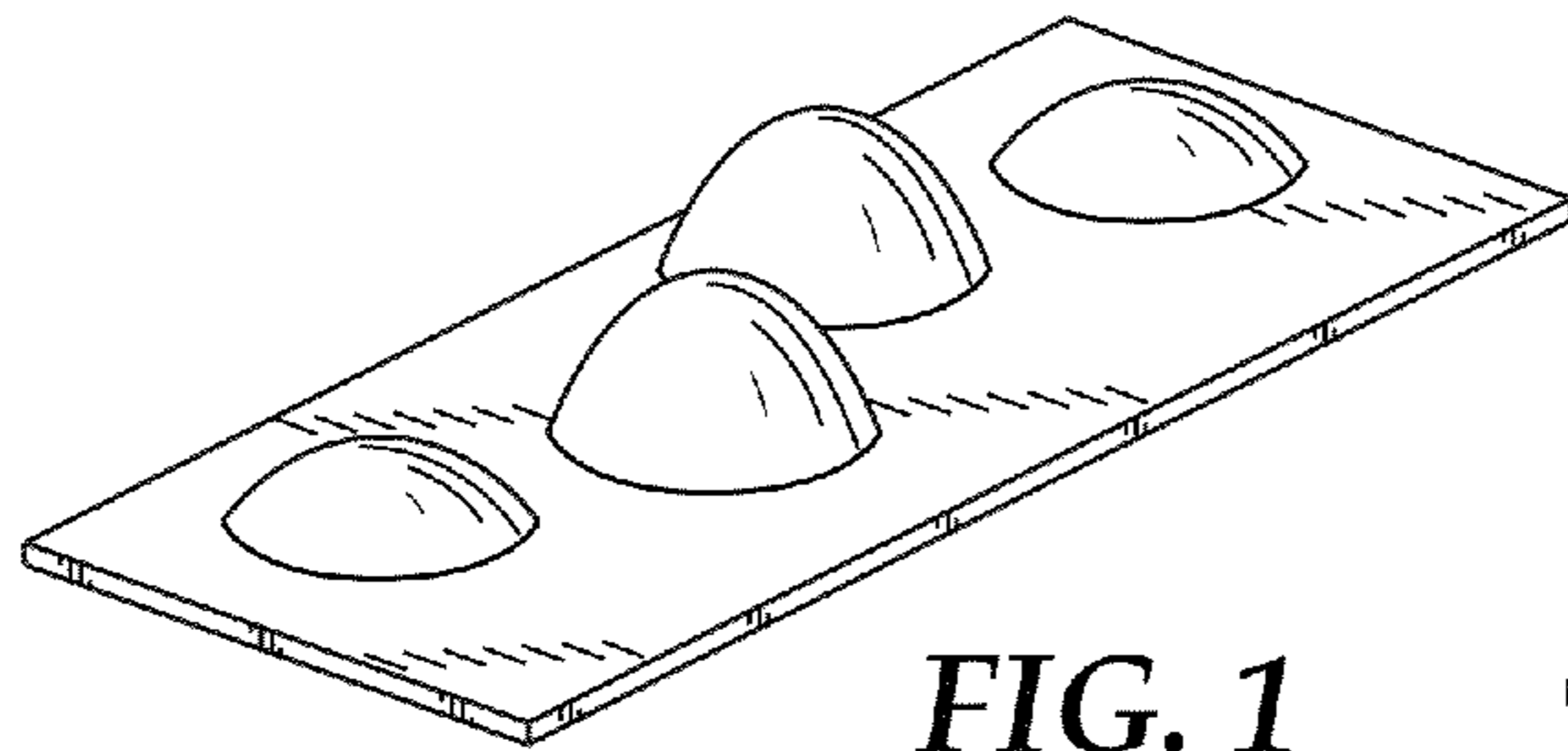


FIG. 1

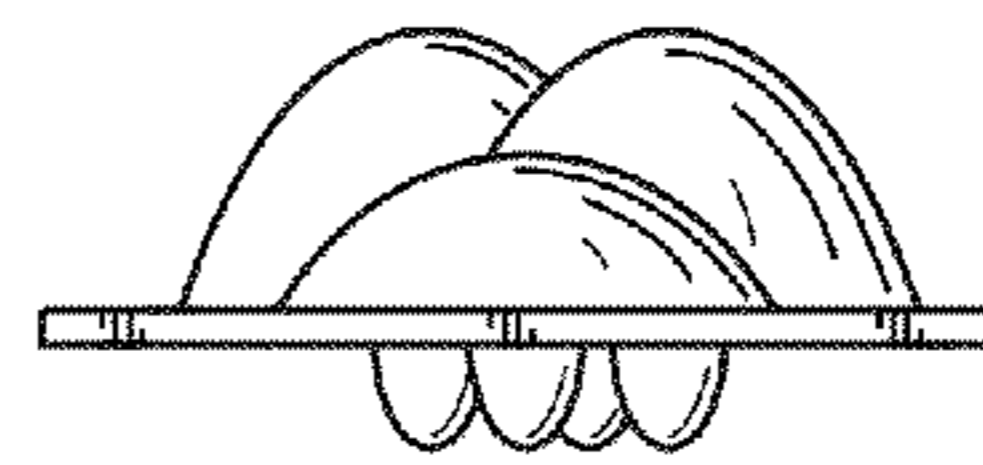


FIG. 2

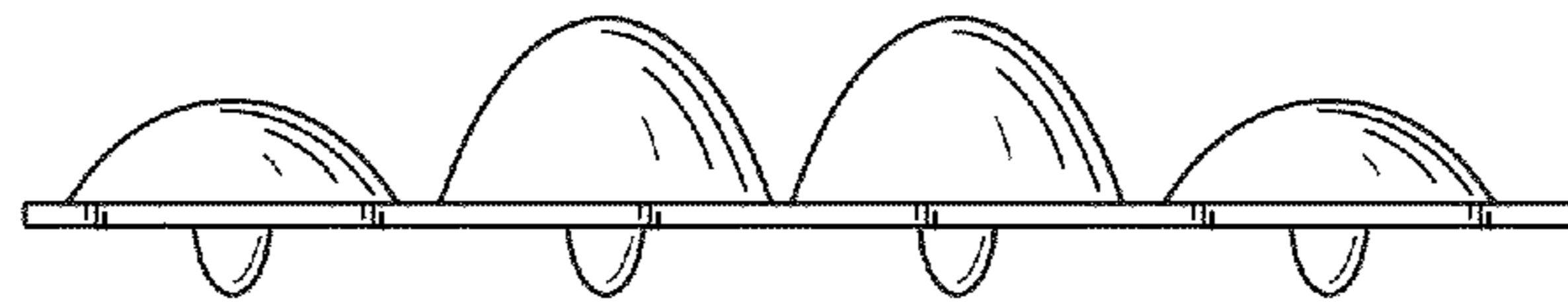


FIG. 3

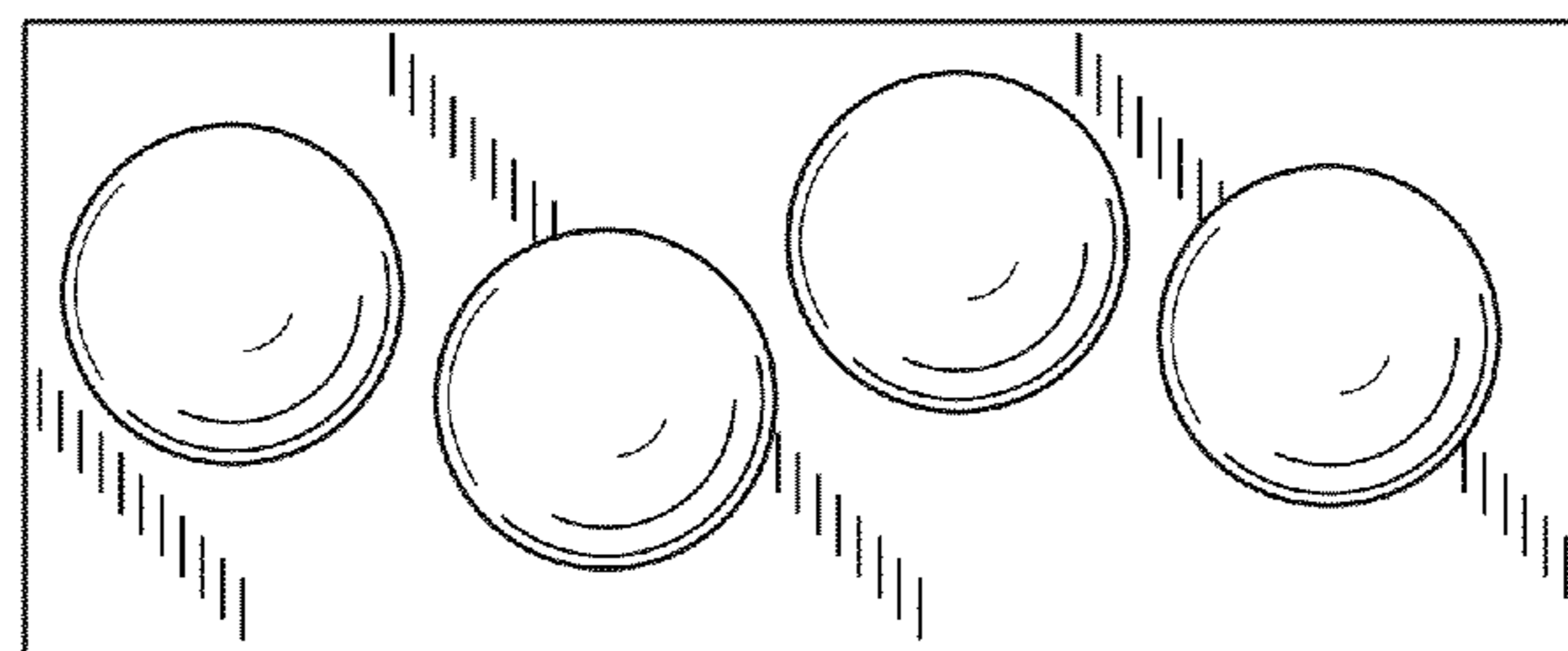


FIG. 4

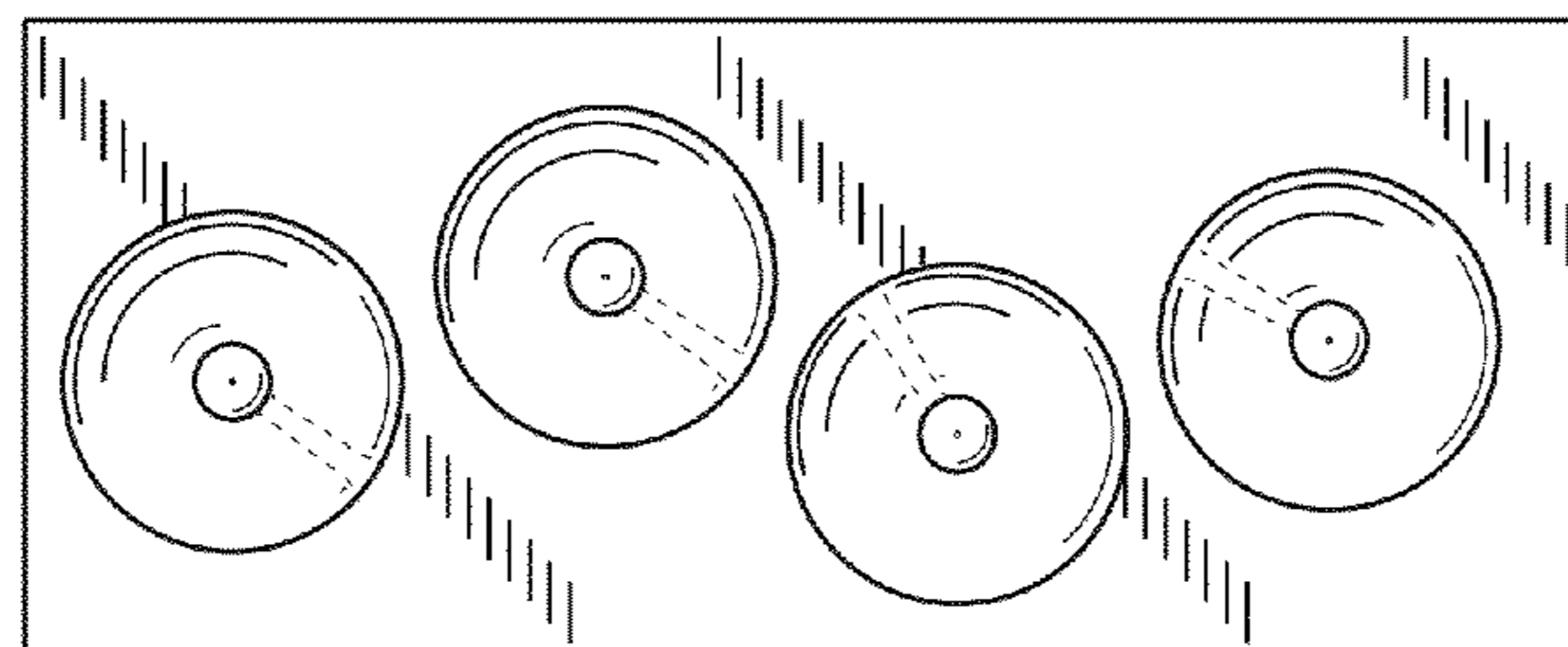


FIG. 5