



US00D671674S

(12) **United States Design Patent**  
**Cho**

(10) **Patent No.:** **US D671,674 S**

(45) **Date of Patent:** **\*\* Nov. 27, 2012**

(54) **LED LAMP**

(75) **Inventor:** **Seok Rae Cho**, Gyeonggi-do (KR)

(73) **Assignee:** **Wooree Lighting Co., Ltd.**,  
Gyeonggi-Do (KR)

(\*\*) **Term:** **14 Years**

(21) **Appl. No.:** **29/414,010**

(22) **Filed:** **Feb. 23, 2012**

(51) **LOC (9) Cl.** ..... **26-99**

(52) **U.S. Cl.** ..... **D26/118**

(58) **Field of Classification Search** ..... D26/1,  
D26/2, 118, 113, 138, 119, 120, 121, 122,  
D26/76, 77, 75, 78, 85, 86, 89, 90, 62, 64,  
D26/65, 66, 63, 73, 72, 74, 68, 71, 28, 123,  
D26/124, 127, 128, 129, 134, 135, 132, 139,  
D26/154, 155, 152, 149, 148, 145, 143, 142,  
D26/140, 141, 153, 144, 91, 92, 29, 24, 25,  
D26/26, 8, 114, 37, 87; 362/202, 347, 349,  
362/362, 419, 96, 192, 145, 294, 326, 267,  
362/373, 249.01–249.12; D13/102, 179,  
D13/180

See application file for complete search history.

(56) **References Cited**

**U.S. PATENT DOCUMENTS**

D343,016 S \* 1/1994 Matsukawa ..... D26/35  
D523,984 S \* 6/2006 Cai ..... D26/61  
D537,186 S \* 2/2007 Weddell ..... D26/80

D539,945 S \* 4/2007 Egawa et al. .... D26/24  
D556,926 S \* 12/2007 Thirouin ..... D26/37  
D568,833 S \* 5/2008 Li ..... D13/180  
D590,532 S \* 4/2009 Levine ..... D26/60  
7,566,147 B2 \* 7/2009 Wilcox et al. .... 362/249.02  
D603,545 S \* 11/2009 Levine ..... D26/63  
D607,599 S \* 1/2010 Zhou et al. .... D26/80  
D616,590 S \* 5/2010 Huang et al. .... D26/63  
D623,781 S \* 9/2010 Uemoto et al. .... D26/24  
D626,264 S \* 10/2010 Liu ..... D26/61  
D626,265 S \* 10/2010 Liu ..... D26/61  
D627,921 S \* 11/2010 Chen ..... D26/138  
D636,900 S \* 4/2011 Chou et al. .... D26/1

\* cited by examiner

*Primary Examiner* — Kevin Rudzinski

(74) *Attorney, Agent, or Firm* — Harness, Dickey & Pierce,  
P.L.C.

(57) **CLAIM**

The ornamental design for a LED lamp, as shown and described.

**DESCRIPTION**

FIG. 1 is a perspective view of a LED lamp, showing our new design;

FIG. 2 is a top view of the LED lamp shown in FIG. 1;

FIG. 3 is a bottom view of the LED lamp shown in FIG. 1;

FIG. 4 is a front view of the LED lamp shown in FIG. 1;

FIG. 5 is a rear view of the LED lamp shown in FIG. 1;

FIG. 6 is a right-side view of the LED lamp shown in FIG. 1; and,

FIG. 7 is a left-side view of the LED lamp shown in FIG. 1.

**1 Claim, 5 Drawing Sheets**

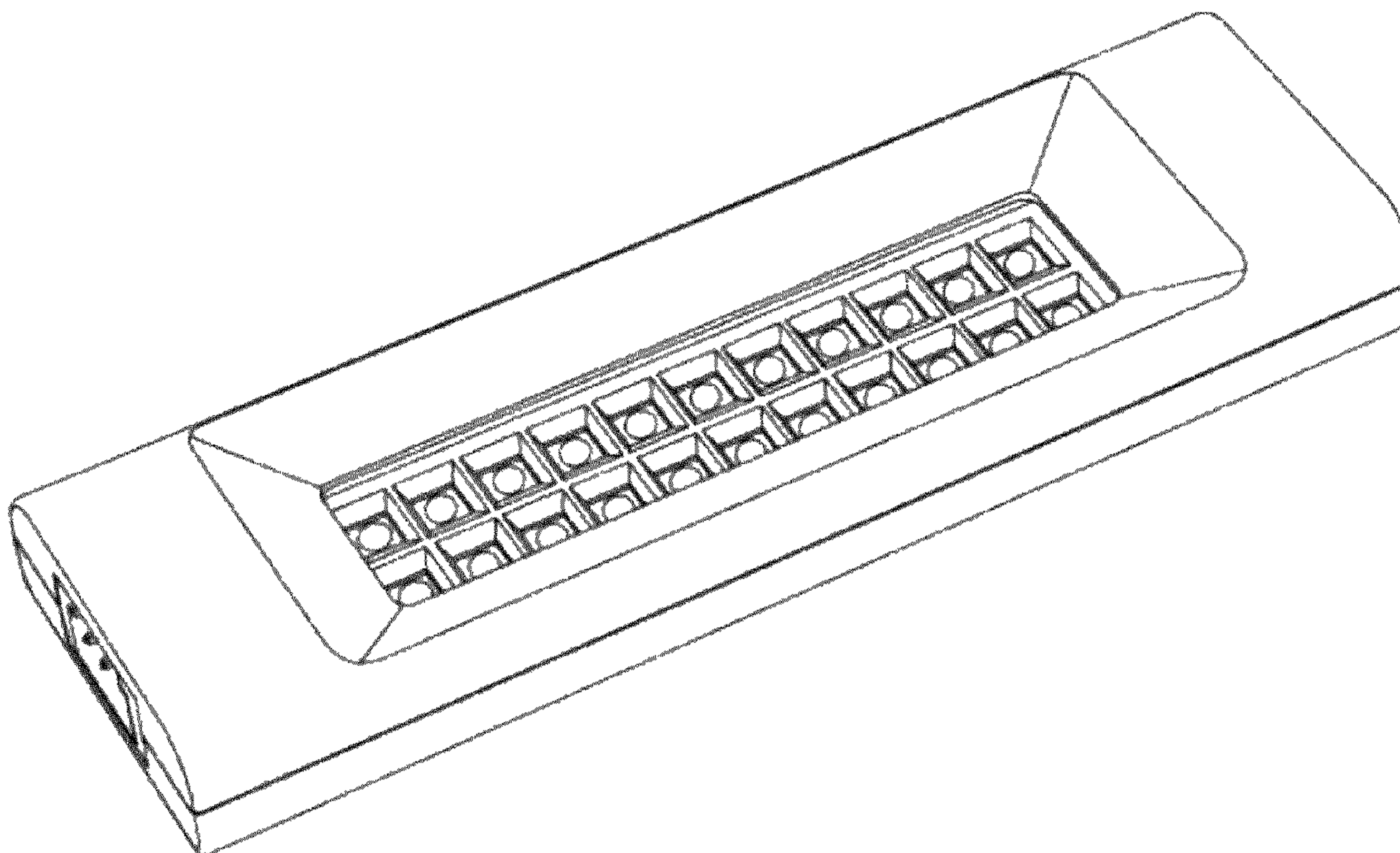


FIG. 1

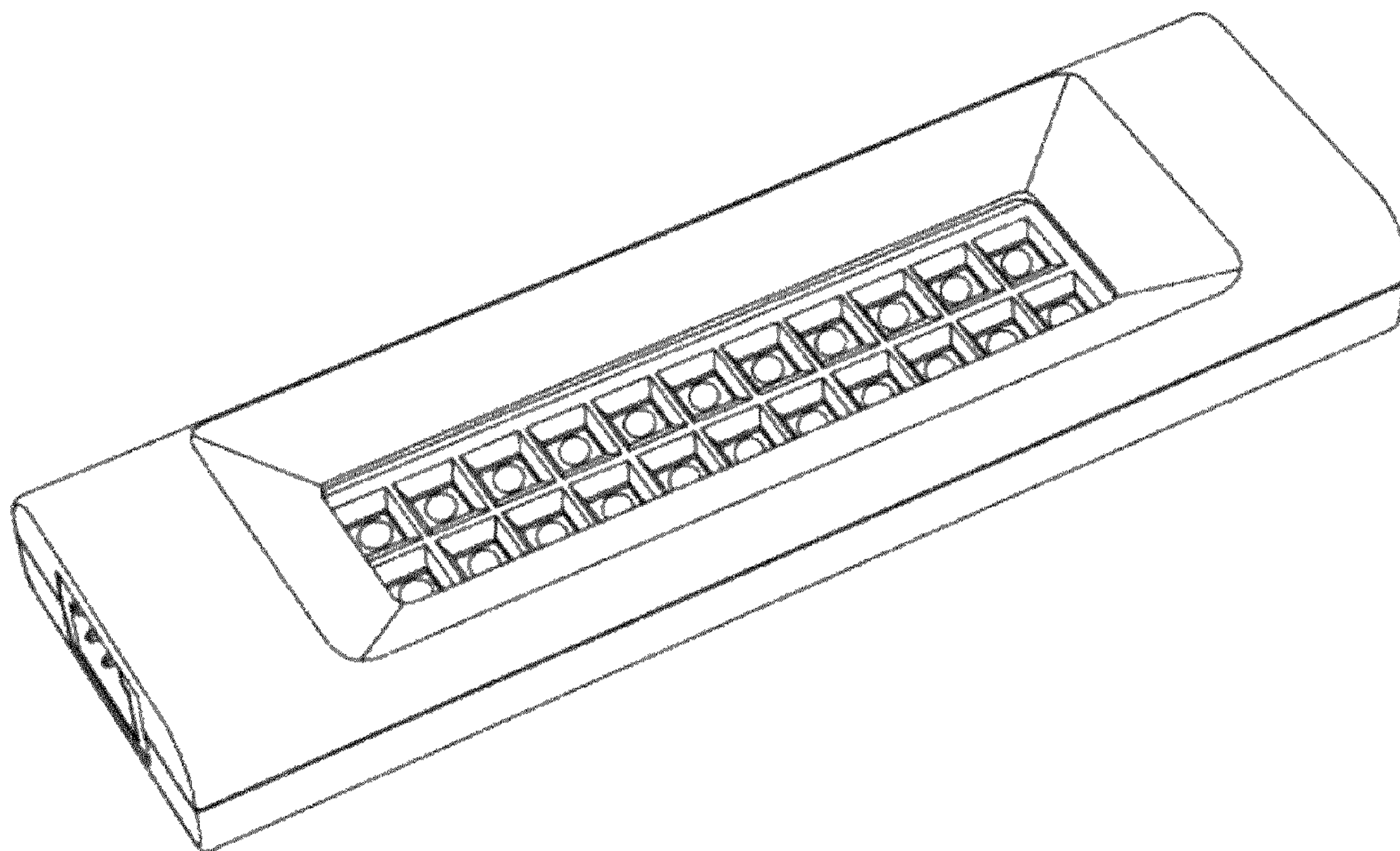
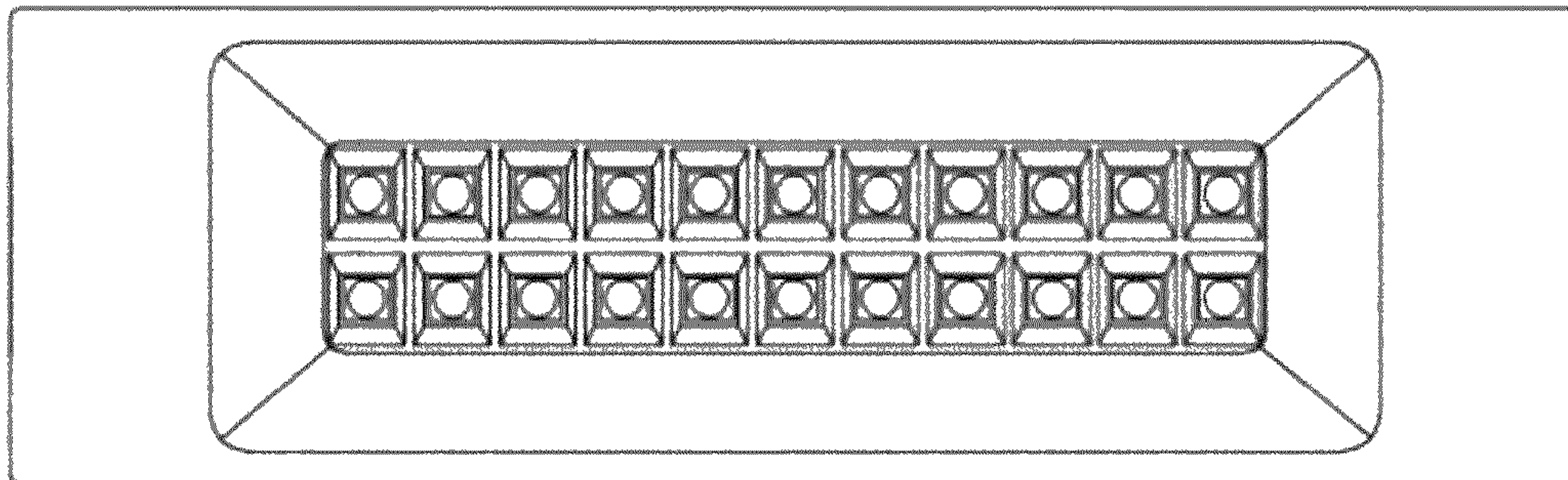
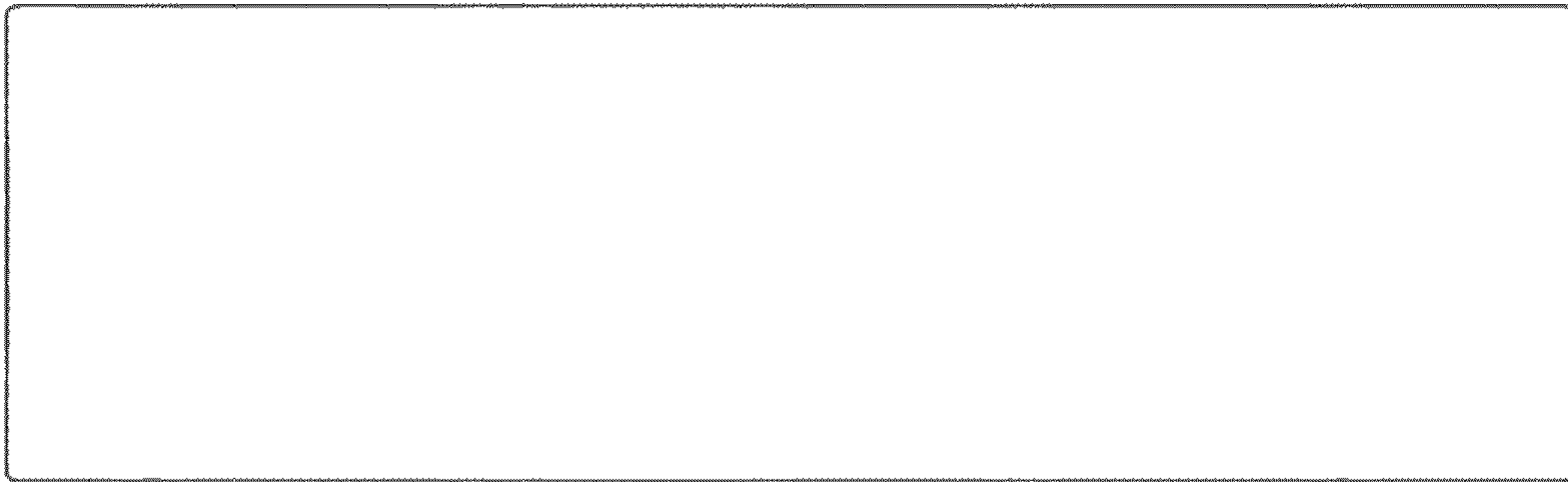


FIG. 2



**FIG. 3**



**FIG. 4**

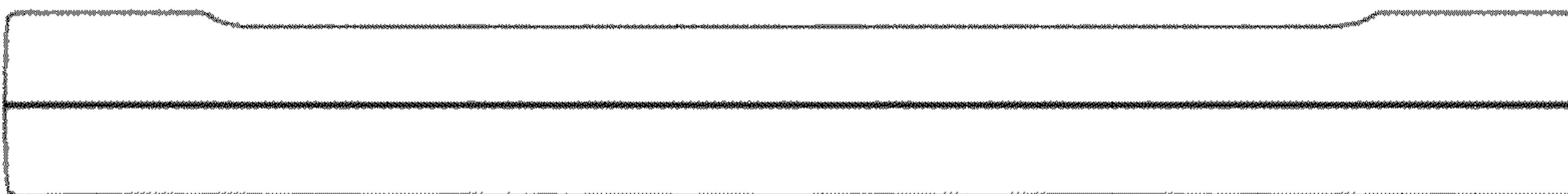


FIG. 5

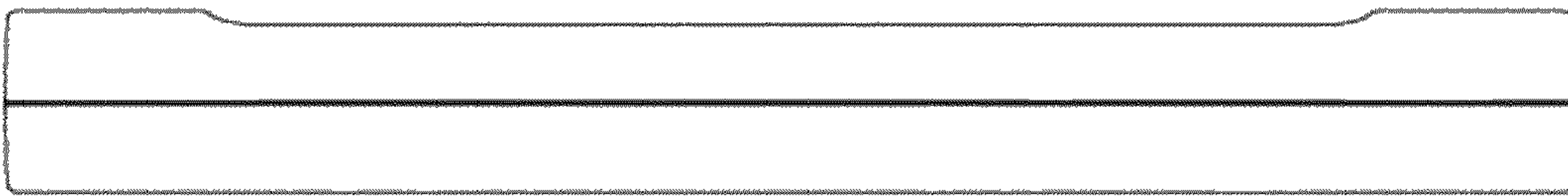
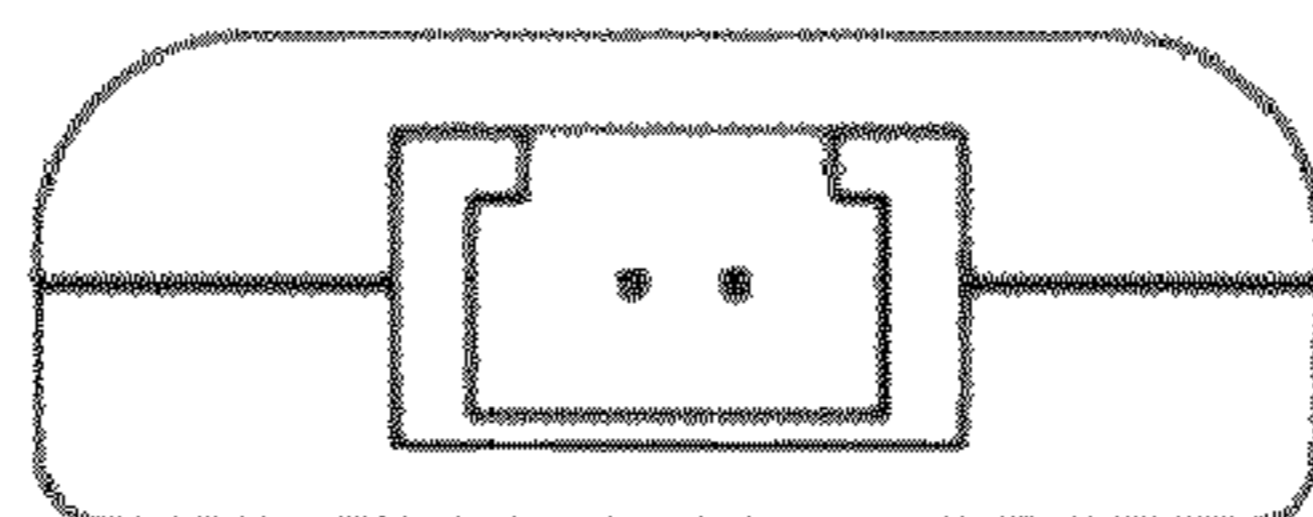


FIG. 6



# FIG. 7

