



US00D671673S

(12) **United States Design Patent**  
**Young et al.**

(10) **Patent No.:** **US D671,673 S**

(45) **Date of Patent:** **\*\* Nov. 27, 2012**

(54) **LIGHT DIFFUSER**

(75) Inventors: **Tony Chunlung Young**, Kowloon (HK);  
**Dale Wyn Guy Young**, Kowloon (HK)

(73) Assignee: **Caltraco International Limited**,  
Kowloon (HK)

(\*\*) Term: **14 Years**

(21) Appl. No.: **29/408,088**

(22) Filed: **Dec. 7, 2011**

(51) **LOC (9) Cl.** ..... **26-99**

(52) **U.S. Cl.** ..... **D26/118**

(58) **Field of Classification Search** ..... D26/113,  
D26/71, 72, 73, 74, 75, 76, 78, 122, 121,  
D26/120, 119, 118, 1, 80, 86, 87, 88, 89,  
D26/90, 35, 36, 85, 62, 61, 63, 64, 65, 66,  
D26/67, 68, 28, 31, 24, 25, 26, 60, 103, 104,  
D26/105, 106, 109, 110, 93, 138, 140, 141,  
D26/142, 143, 144, 145, 152, 153, 154, 155,  
D26/41, 42, 51, 52, 50, 37, 128, 123, 124,  
D26/125, 129, 131, 134, 135, 136, 2, 3; D13/179,  
D13/180; D8/354, 382, 373, 377; 362/373,  
362/294.02, 218, 510, 516, 410, 183, 396,  
362/130, 190, 249.07, 249.09, 249.1, 249.11,  
362/285, 413, 287, 220, 418, 419, 92, 249.08,  
362/205, 184, 260, 399, 398, 397, 258, 374,  
362/375, 216, 558, 561, 354, 249.06, 249.05,  
362/132, 133, 249.03, 223, 241, 345, 327,  
362/217.05, 247, 224, 297; 52/455; D25/124,  
D25/125, 60, 119; 349/113, 61, 59, 60, 62,  
349/64, 65, 67, 66; 248/558, 339, 557; 438/15;  
345/102; D12/406; D10/114.1, 111; D11/145,  
D11/144, 125, 121; 428/11; 257/96, 97,  
257/98, 99

See application file for complete search history.

(56) **References Cited**

U.S. PATENT DOCUMENTS

5,704,709	A *	1/1998	Zwick et al. ....	362/304
6,402,348	B1 *	6/2002	Ouellette et al. ....	362/296.01
D495,822	S *	9/2004	Yoneda .....	D26/124
D511,787	S *	11/2005	Galli .....	D16/134
7,217,004	B2 *	5/2007	Park et al. ....	362/240
7,347,590	B2 *	3/2008	Lee et al. ....	362/327
D576,575	S *	9/2008	Kanayama et al. ....	D13/180
D620,635	S *	7/2010	Chen et al. ....	D26/124
D622,898	S *	8/2010	Chen et al. ....	D26/124
D622,899	S *	8/2010	Chen et al. ....	D26/124
D625,045	S *	10/2010	Chen et al. ....	D26/126
D625,462	S *	10/2010	Ku et al. ....	D26/128
D625,881	S *	10/2010	Chen et al. ....	D26/124
D638,572	S *	5/2011	Lee .....	D26/113
8,118,451	B2 *	2/2012	Householder et al. ....	362/277
2004/0212998	A1 *	10/2004	Mohacsi .....	362/294
2004/0264196	A1 *	12/2004	Shu .....	362/294
2005/0201118	A1 *	9/2005	Godo .....	362/555
2006/0067079	A1 *	3/2006	Noh et al. ....	362/327
2007/0030572	A1 *	2/2007	Lee et al. ....	359/642
2009/0129097	A1 *	5/2009	Ewert et al. ....	362/328

\* cited by examiner

*Primary Examiner* — Kevin Rudzinski

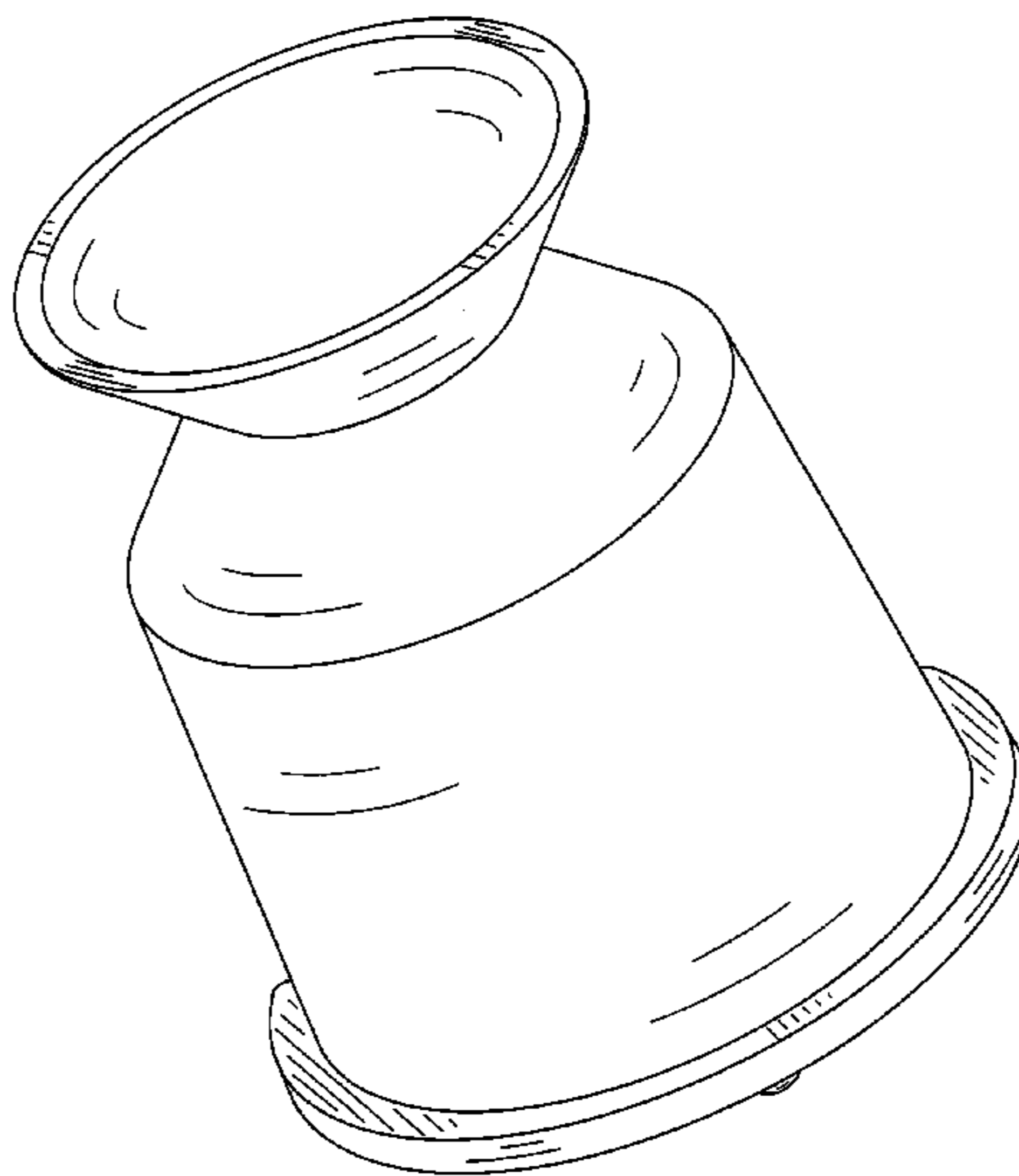
(57) **CLAIM**

The ornamental design for a light diffuser, as shown and described.

**DESCRIPTION**

FIG. 1 is a front elevational view of a light diffuser showing my new design;  
FIG. 2 is a rear elevational view thereof;  
FIG. 3 is a left side view thereof;  
FIG. 4 is a right side view thereof;  
FIG. 5 is a top plan view thereof;  
FIG. 6 is a bottom plan view thereof; and,  
FIG. 7 is a perspective view thereof.  
The broken lines shown in the drawings illustrating portions of the light diffuser form no part of the claimed design.

**1 Claim, 7 Drawing Sheets**



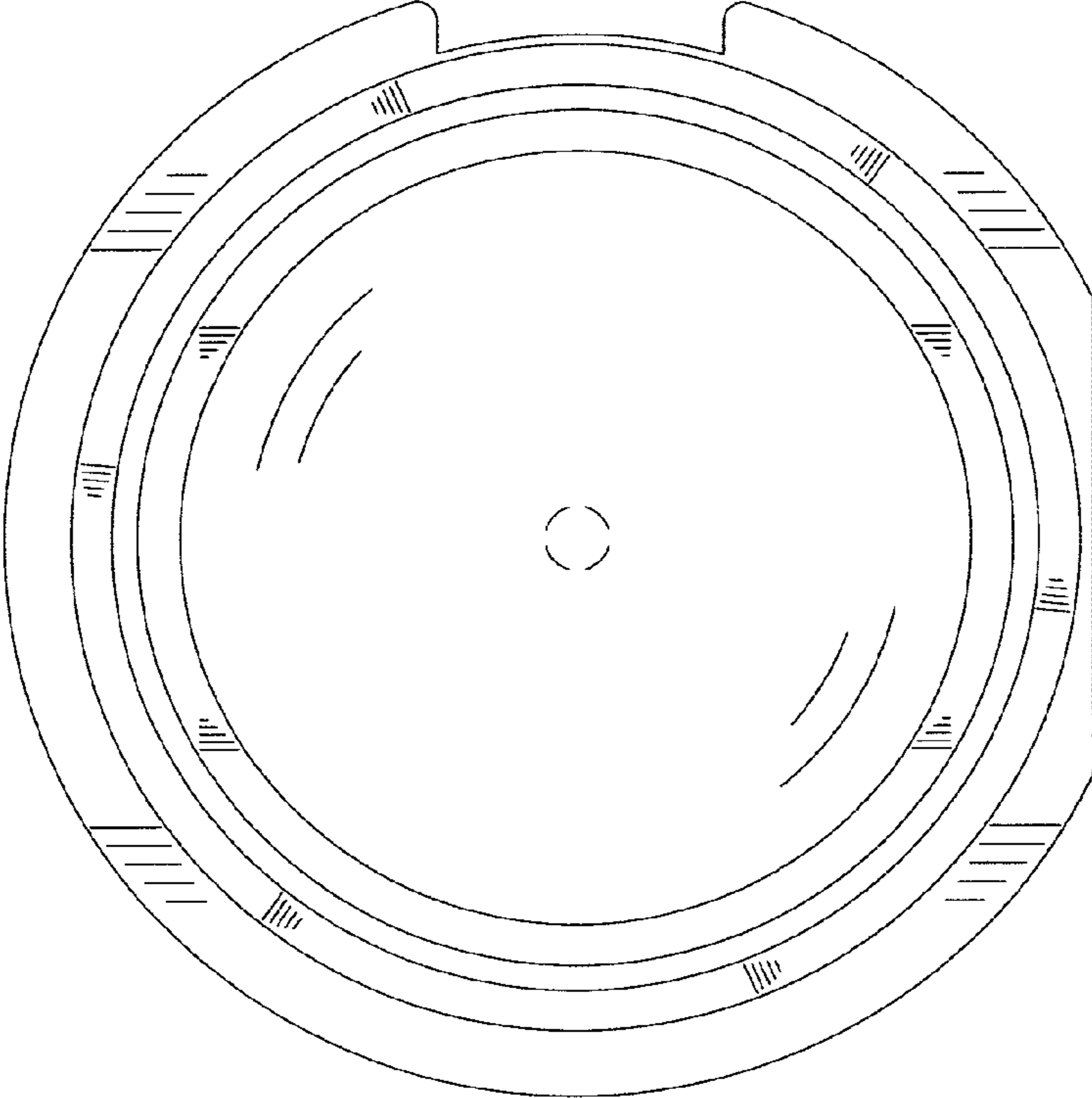


FIG. 1

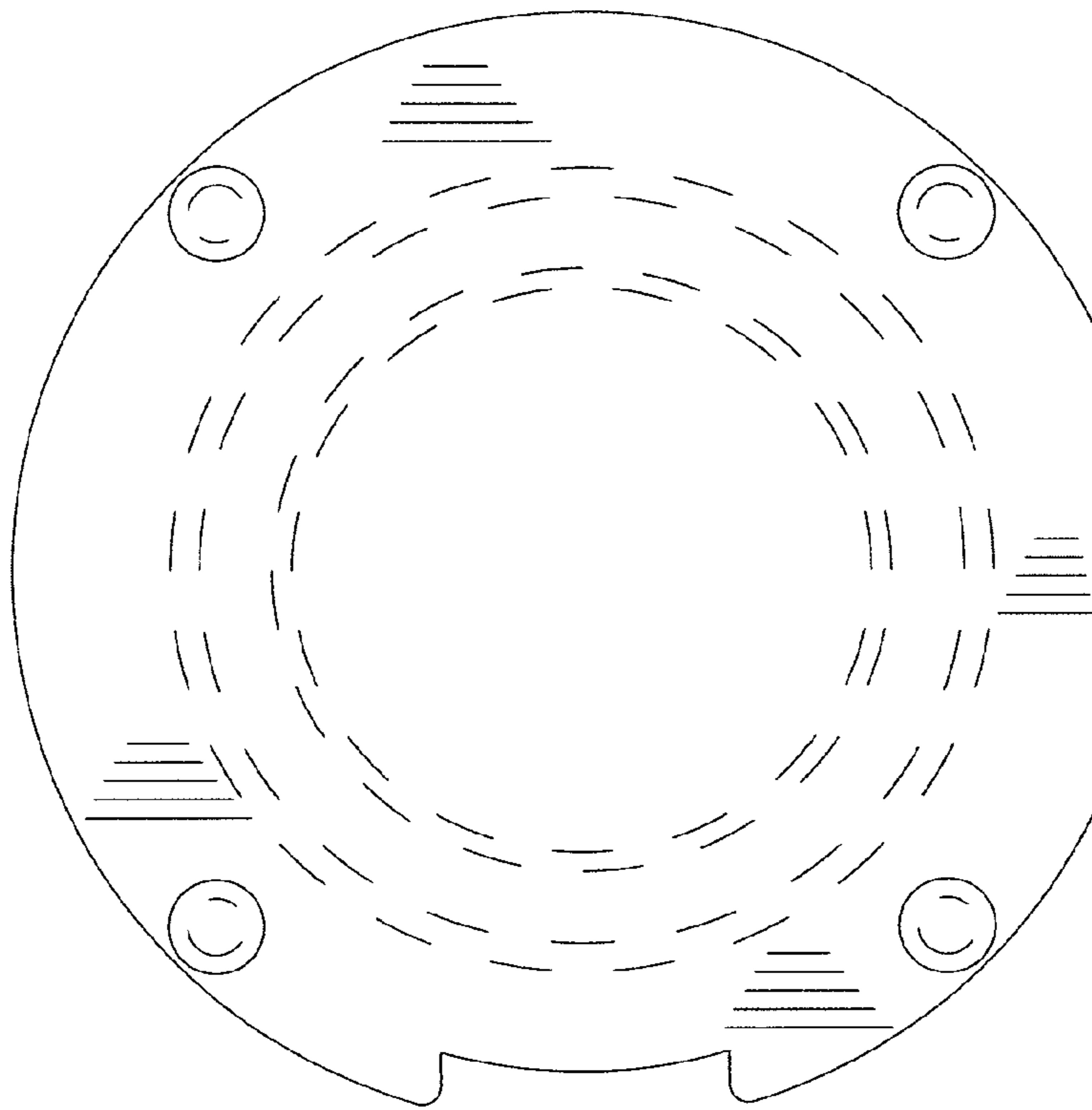


FIG. 2

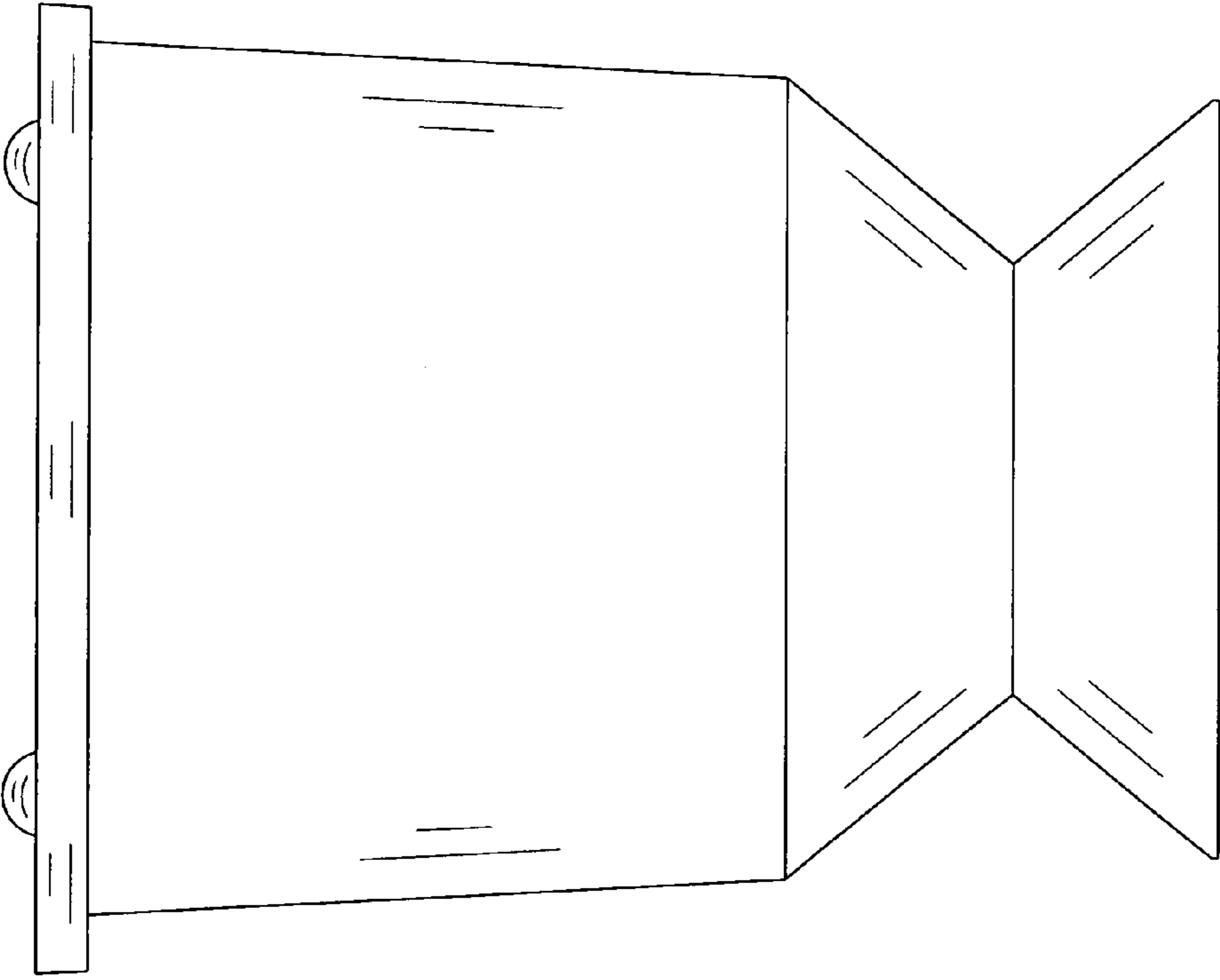


FIG. 3

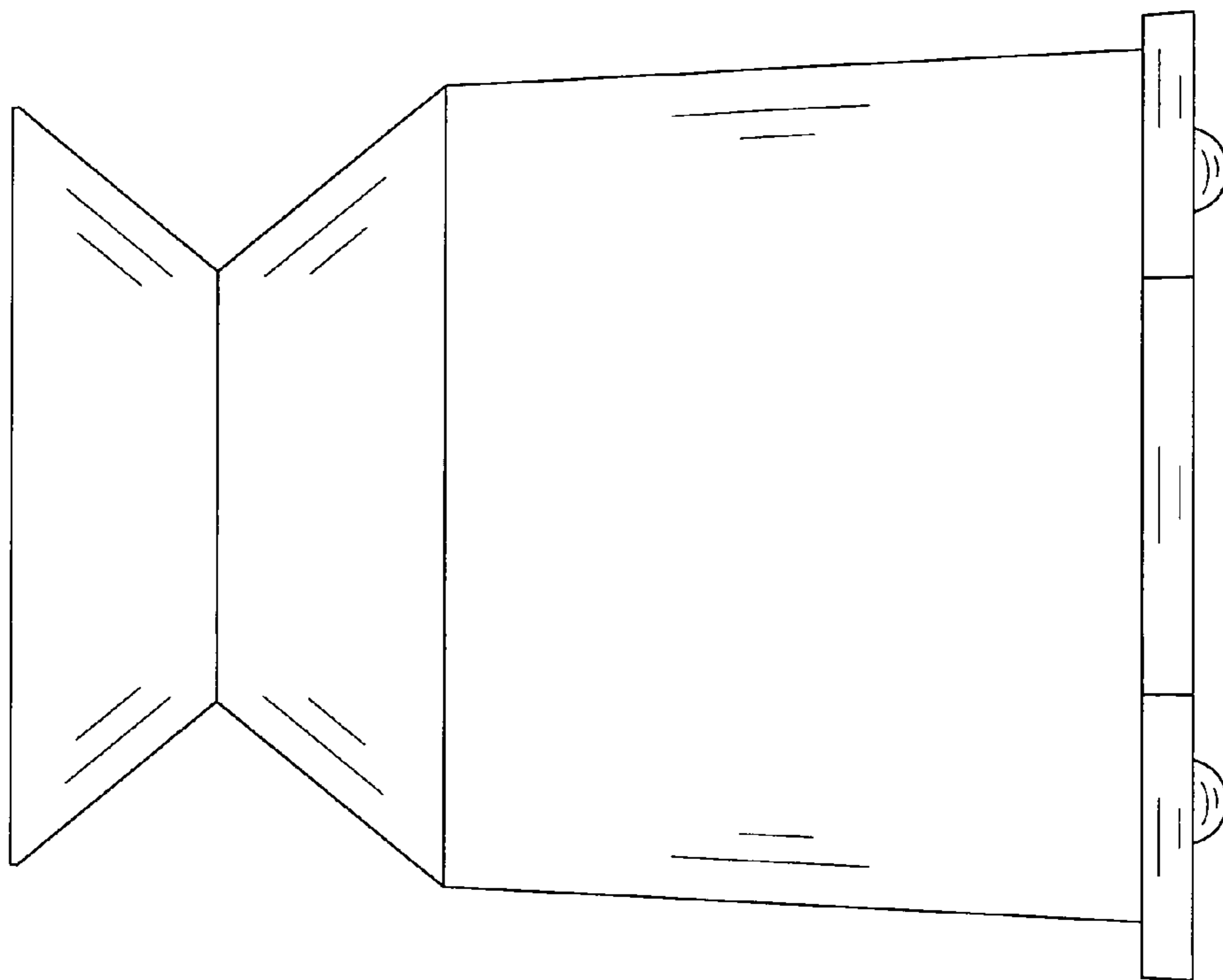


FIG. 4

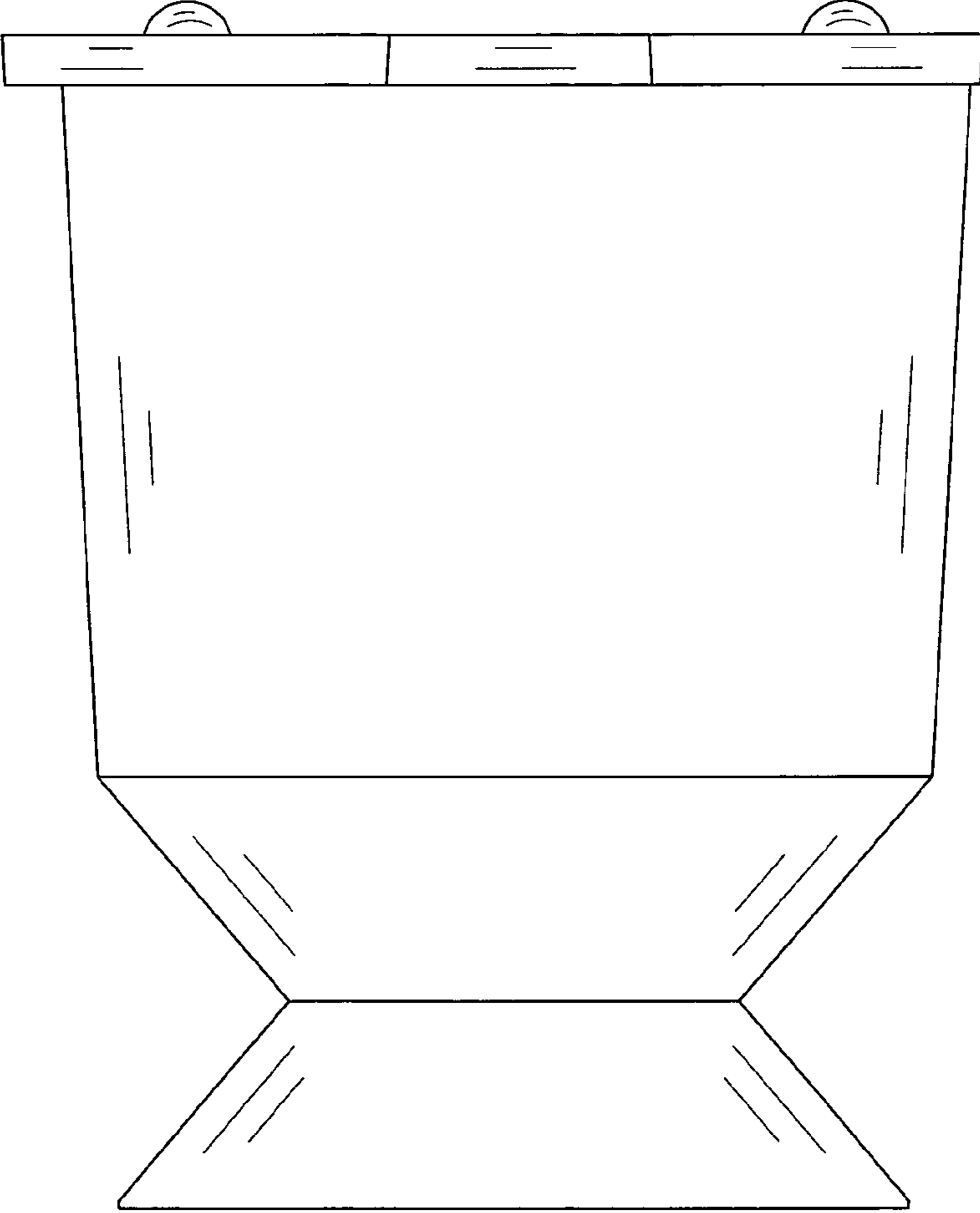


FIG. 5

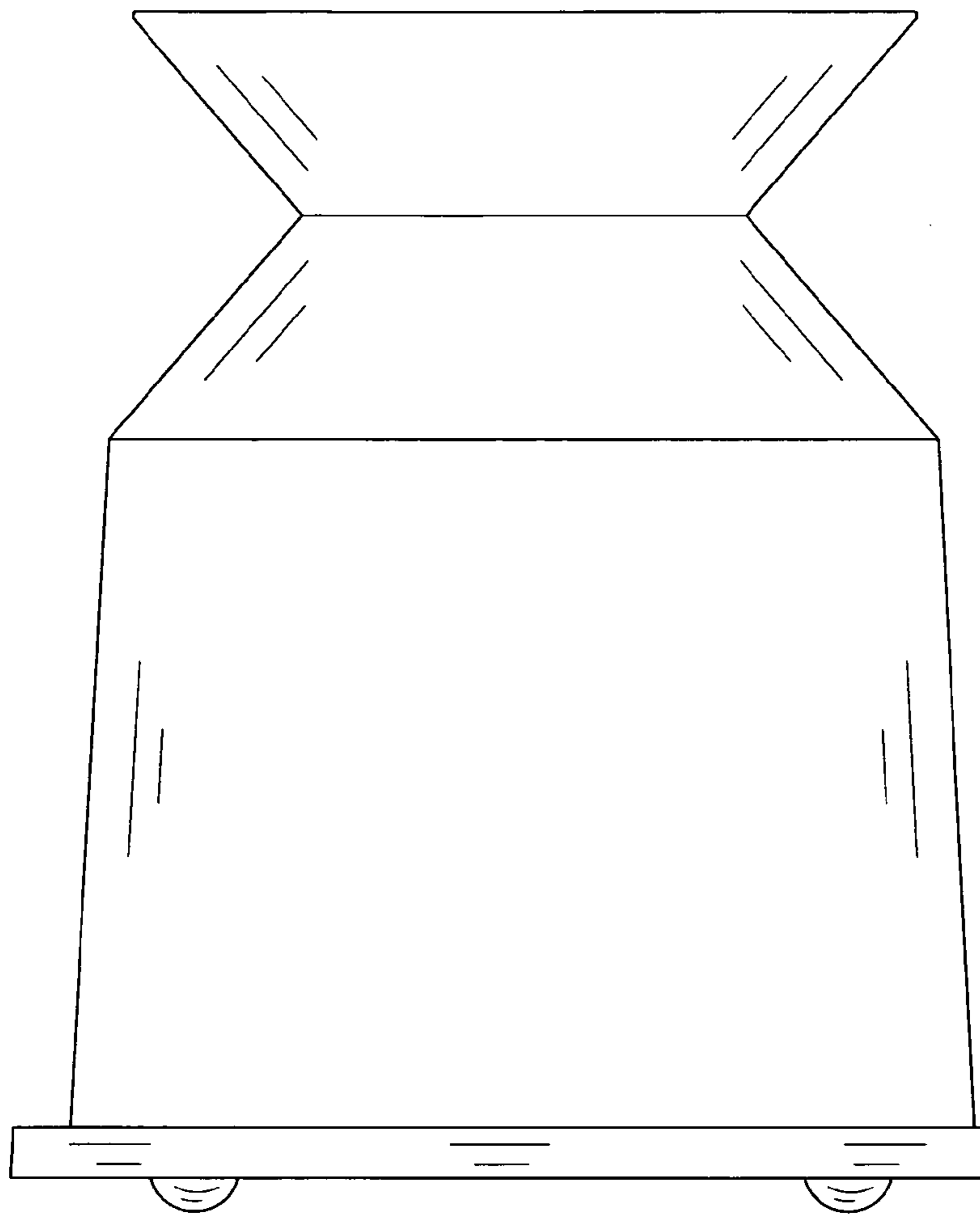


FIG. 6

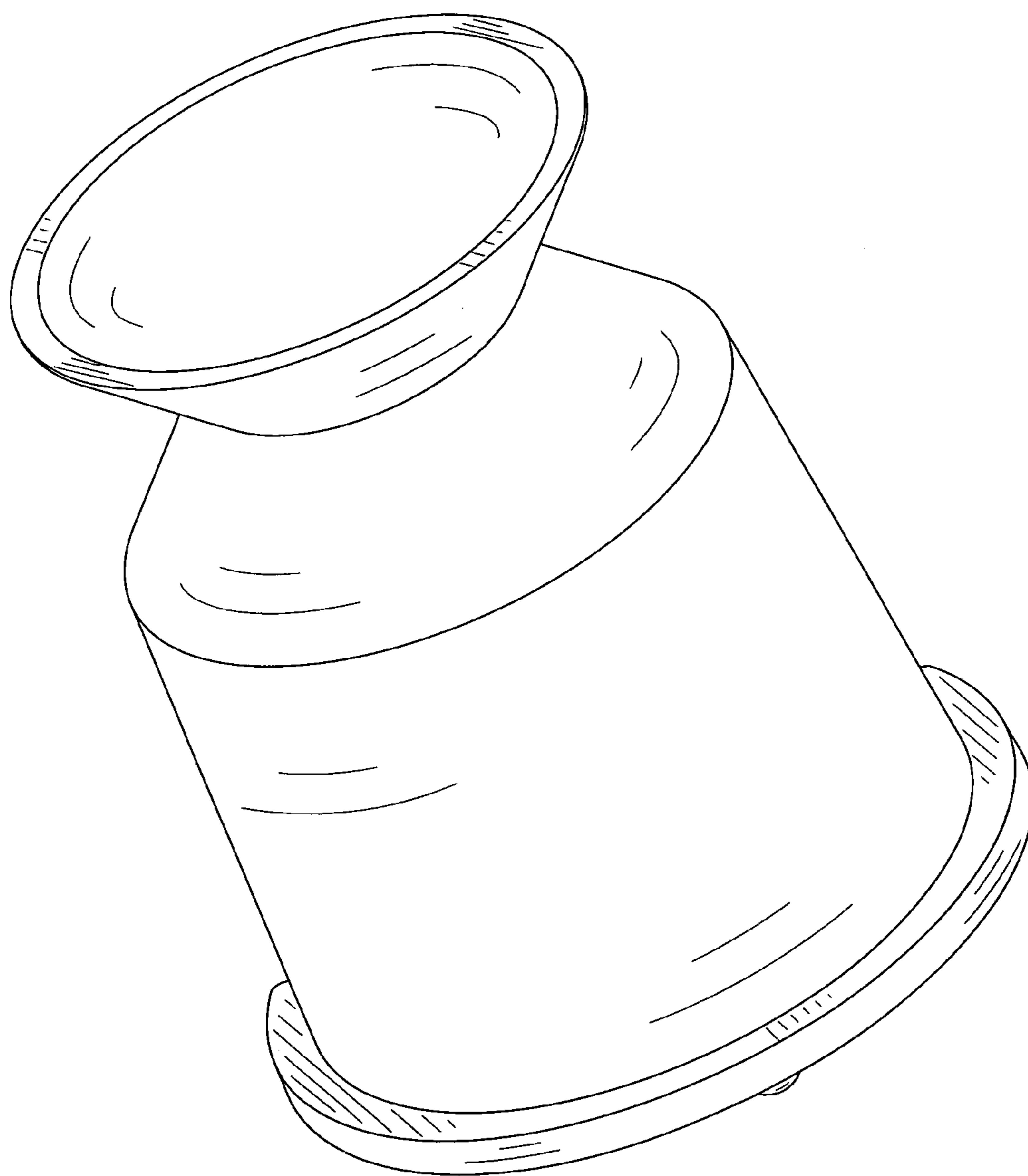


FIG. 7