



US00D671672S

(12) **United States Design Patent**  
**Thorsteinsson et al.**

(10) **Patent No.:** **US D671,672 S**  
(45) **Date of Patent:** **\*\* Nov. 27, 2012**

(54) **LIGHT FIXTURE**

(75) Inventors: **Sigurdur Thorsteinsson**, Milan (IT);  
**Carlo D'Alesio**, Milan (IT); **Piero Santoro**, Milan (IT); **Byron E. Trotter**, St. Paul, MN (US); **Matthieu Aquino**, Milan (IT); **Edwin Schaeerlaeckens**, Woodbury, MN (US)

(73) Assignee: **3M Innovative Properties Company**, St. Paul, MN (US)

(\*\*) Term: **14 Years**

(21) Appl. No.: **29/389,302**

(22) Filed: **Apr. 8, 2011**

(51) **LOC (9) Cl.** ..... **26-99**

(52) **U.S. Cl.** ..... **D26/118**

(58) **Field of Classification Search** ..... 40/617, 40/553, 592; D16/101; D13/179, 180; D9/457; D12/400; D8/354, 382; D10/11; D11/79, D11/129, 125, 128, 126, 127, 124, 121, 122, D11/123; D30/133; D6/462, 403; D20/41, D20/42, 10; D25/100, 106; 362/343, 362, 362/246, 260, 256, 223, 125, 565, 647, 350, 362/102; D26/96, 95, 91, 92, 93, 28, 26, D26/27, 144, 131, 94, 126, 24, 25, 140, 141, D26/142, 143, 71, 72, 73, 74, 75, 76, 77, D26/78, 79, 81, 113, 118, 119, 120, 121, D26/122, 39, 138, 135, 139, 145, 155, 154, D26/63, 64, 65, 66, 67, 68, 84, 85, 83, 82, D26/1, 2, 3, 86, 88, 132, 133, 134, 60, 61, D26/62, 123, 124, 125

See application file for complete search history.

(56) **References Cited**

U.S. PATENT DOCUMENTS

5,475,368	A *	12/1995	Collins	340/574
5,893,631	A *	4/1999	Padden	362/201
D425,226	S *	5/2000	Galli	D26/37
D457,670	S *	5/2002	Allen	D26/37
D475,195	S *	6/2003	Christianson	D3/209
6,619,813	B1 *	9/2003	Schnell	362/116
D480,491	S *	10/2003	Lai	D26/37
D484,625	S *	12/2003	Chang	D26/37
6,979,099	B2 *	12/2005	Harris et al.	362/184
D518,586	S *	4/2006	Kaufman	D26/60
D524,974	S *	7/2006	Zernov	D26/60
D552,276	S *	10/2007	Shaljian	D26/37
7,731,392	B2 *	6/2010	Parker et al.	362/249.03
D632,420	S *	2/2011	Gibler et al.	D26/120
D642,328	S *	7/2011	Leadford et al.	D26/142
2003/0227773	A1 *	12/2003	Yang	362/199

\* cited by examiner

*Primary Examiner* — Kevin Rudzinski

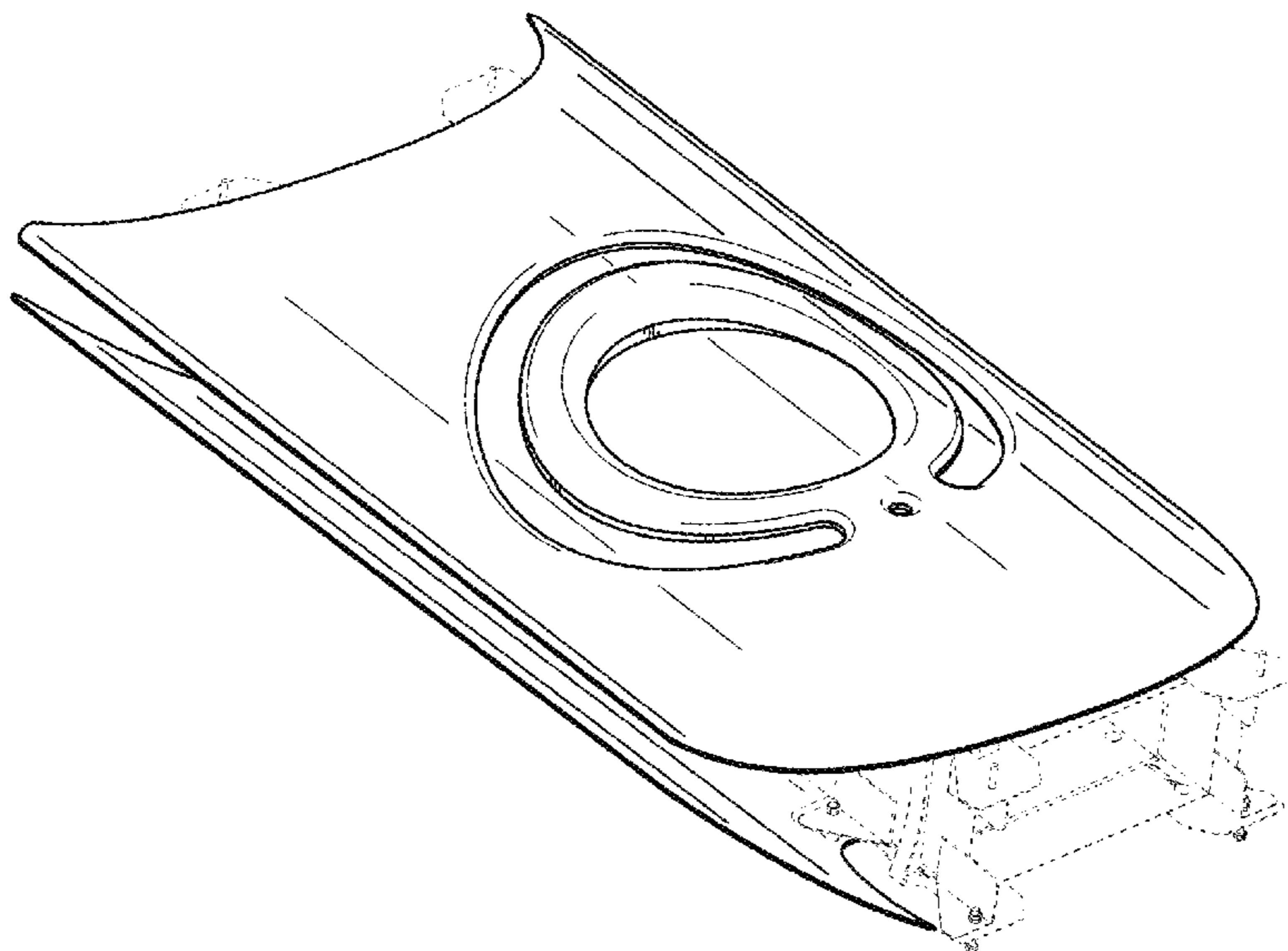
(57) **CLAIM**

The ornamental design for a light fixture, as shown and described.

**DESCRIPTION**

FIG. 1 is a top perspective view of the new design for a light fixture;  
FIG. 2 is a right elevation view thereof, which is a mirror image of the left elevation view;  
FIG. 3 is a front elevation view thereof;  
FIG. 4 is a bottom plan view thereof; and,  
FIG. 5 is a top plan view thereof.  
The broken lines shown in the drawings illustrating portions of the light fixture form no part of the claimed design.

**1 Claim, 2 Drawing Sheets**



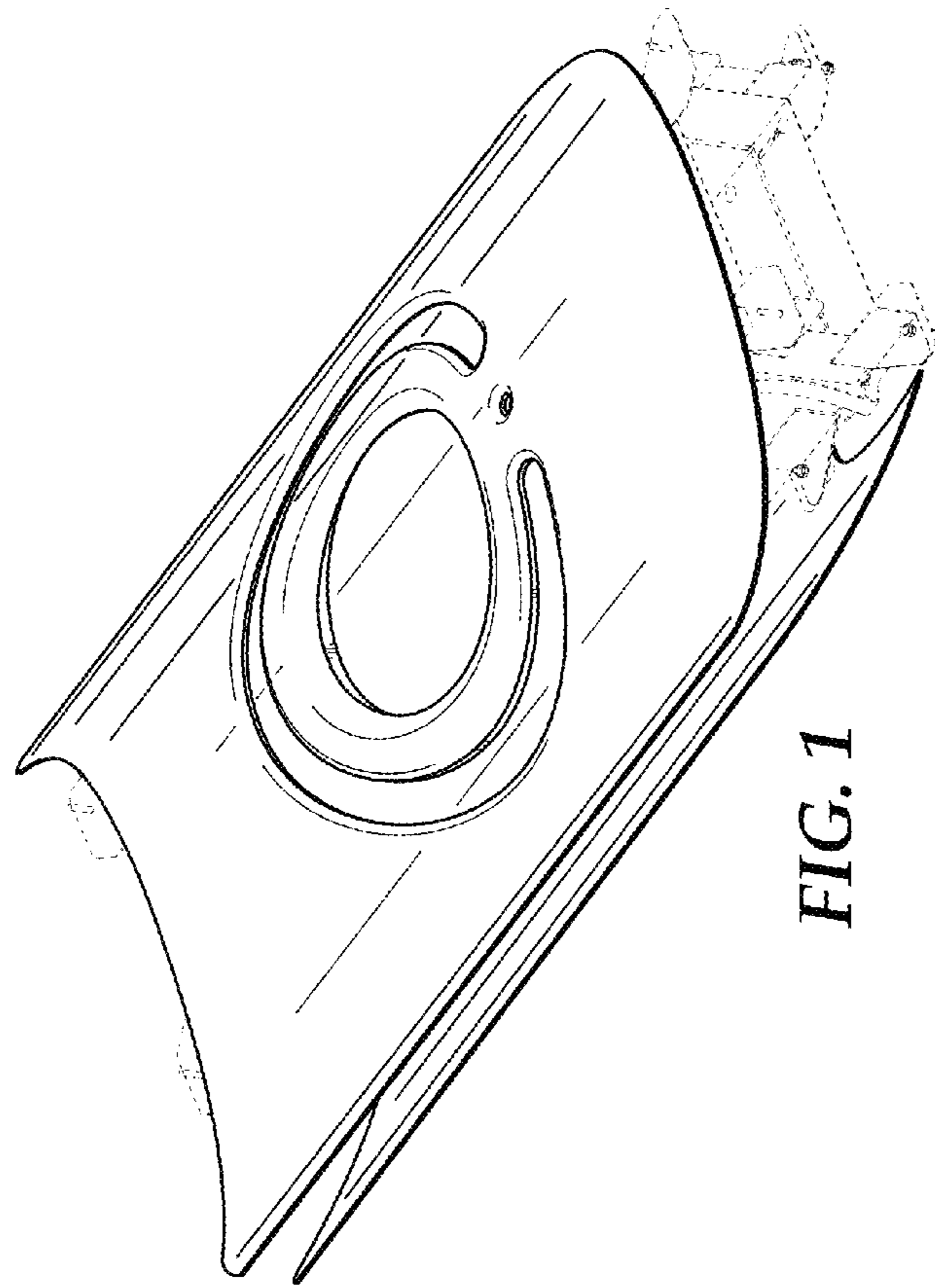


FIG. 1

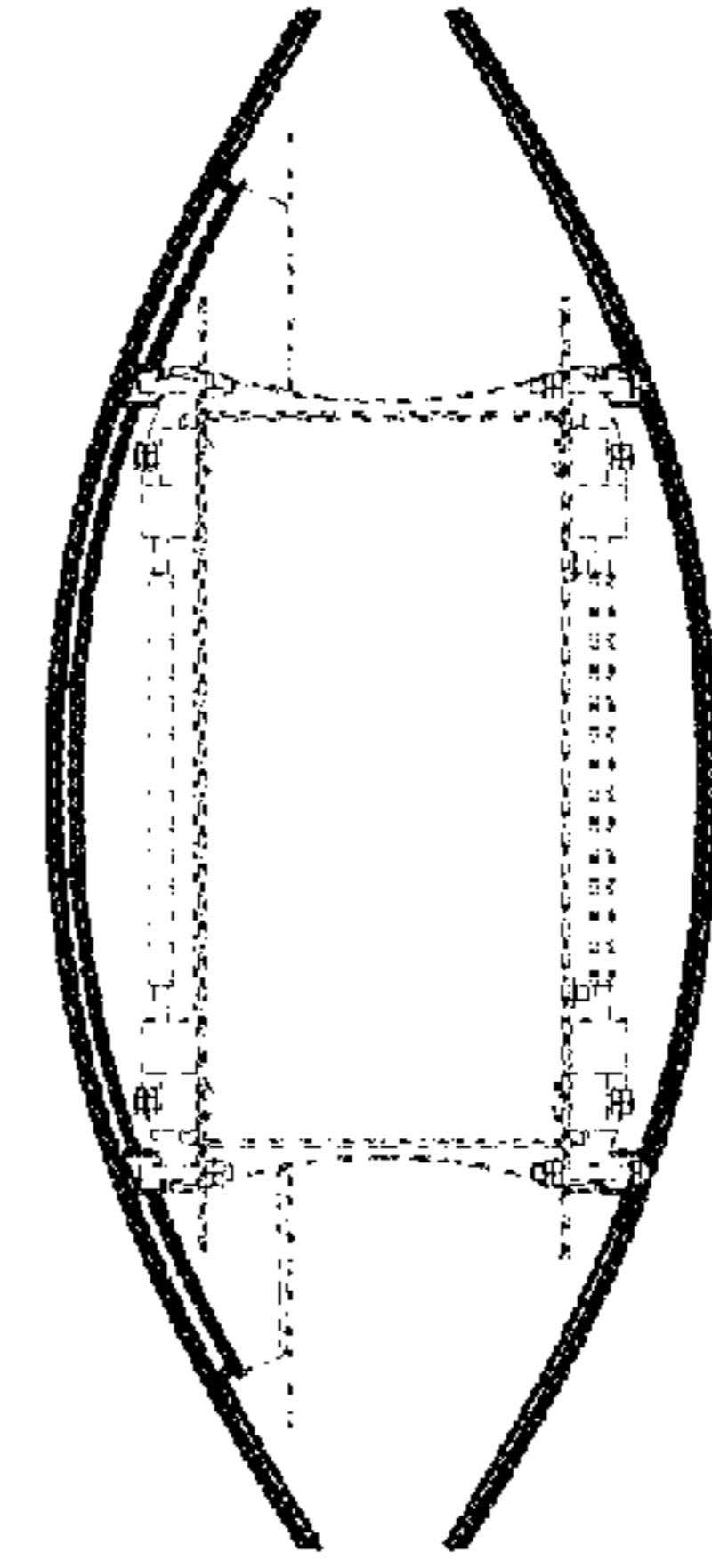


FIG. 3

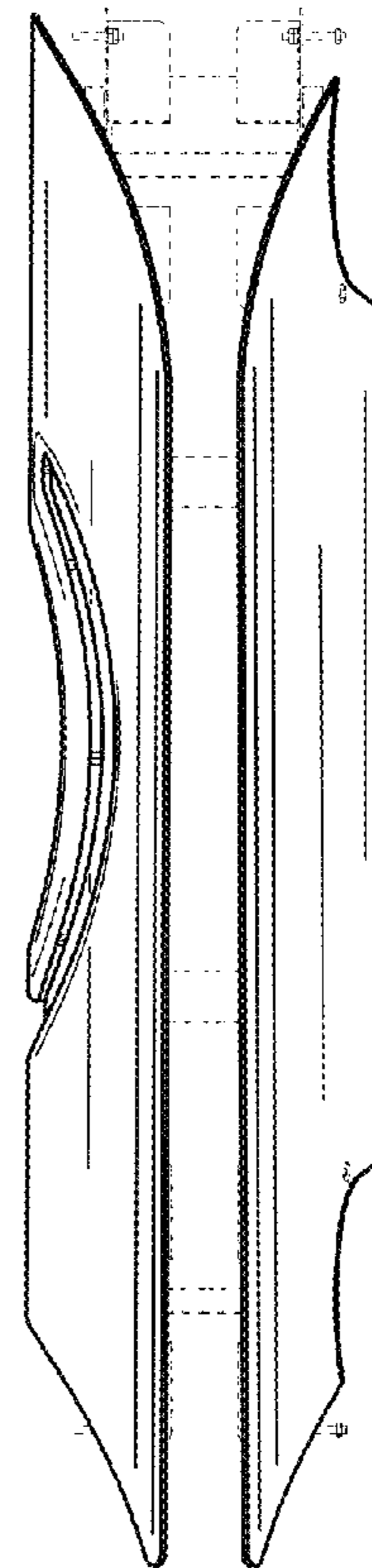


FIG. 2

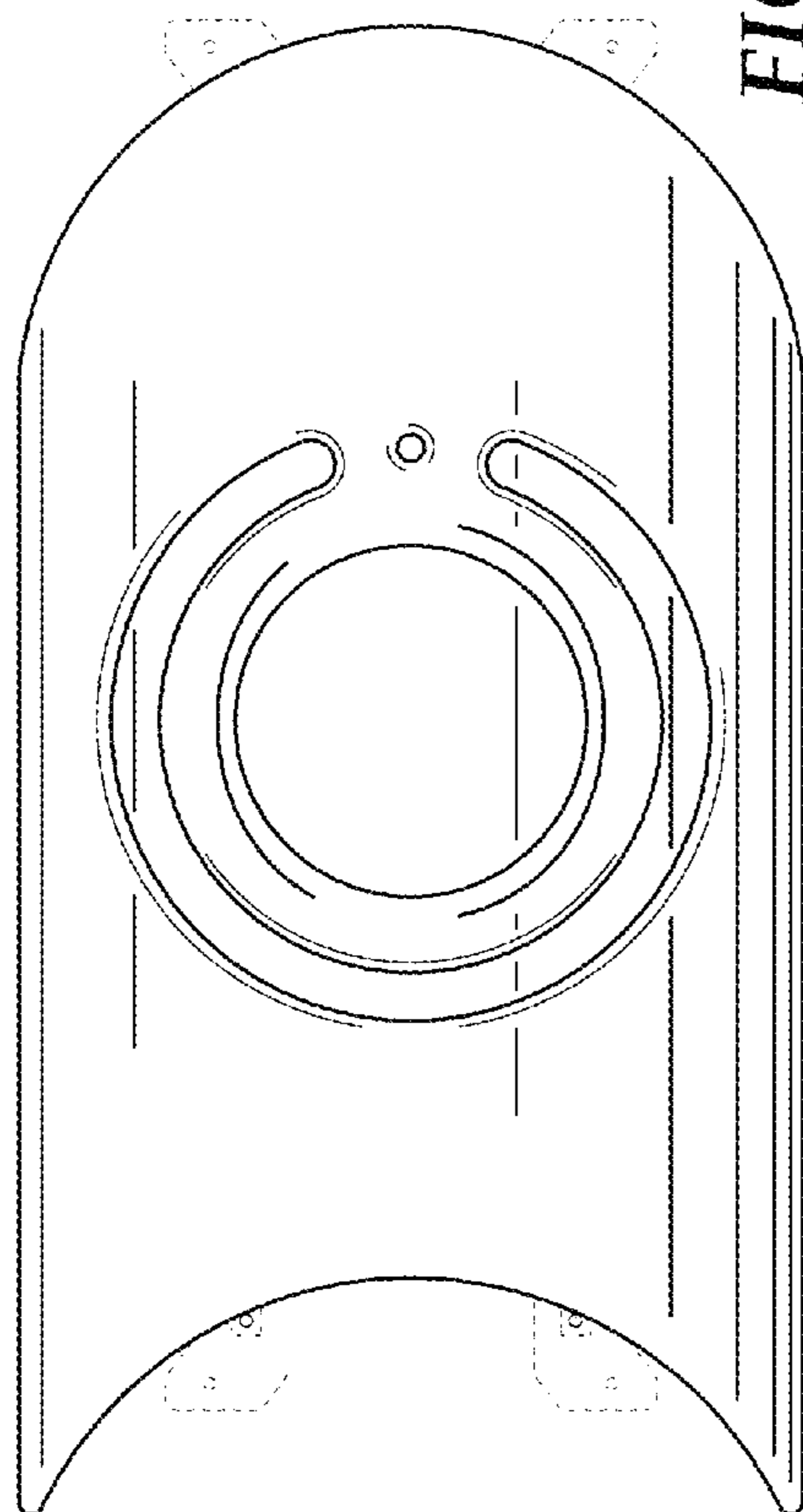


FIG. 4

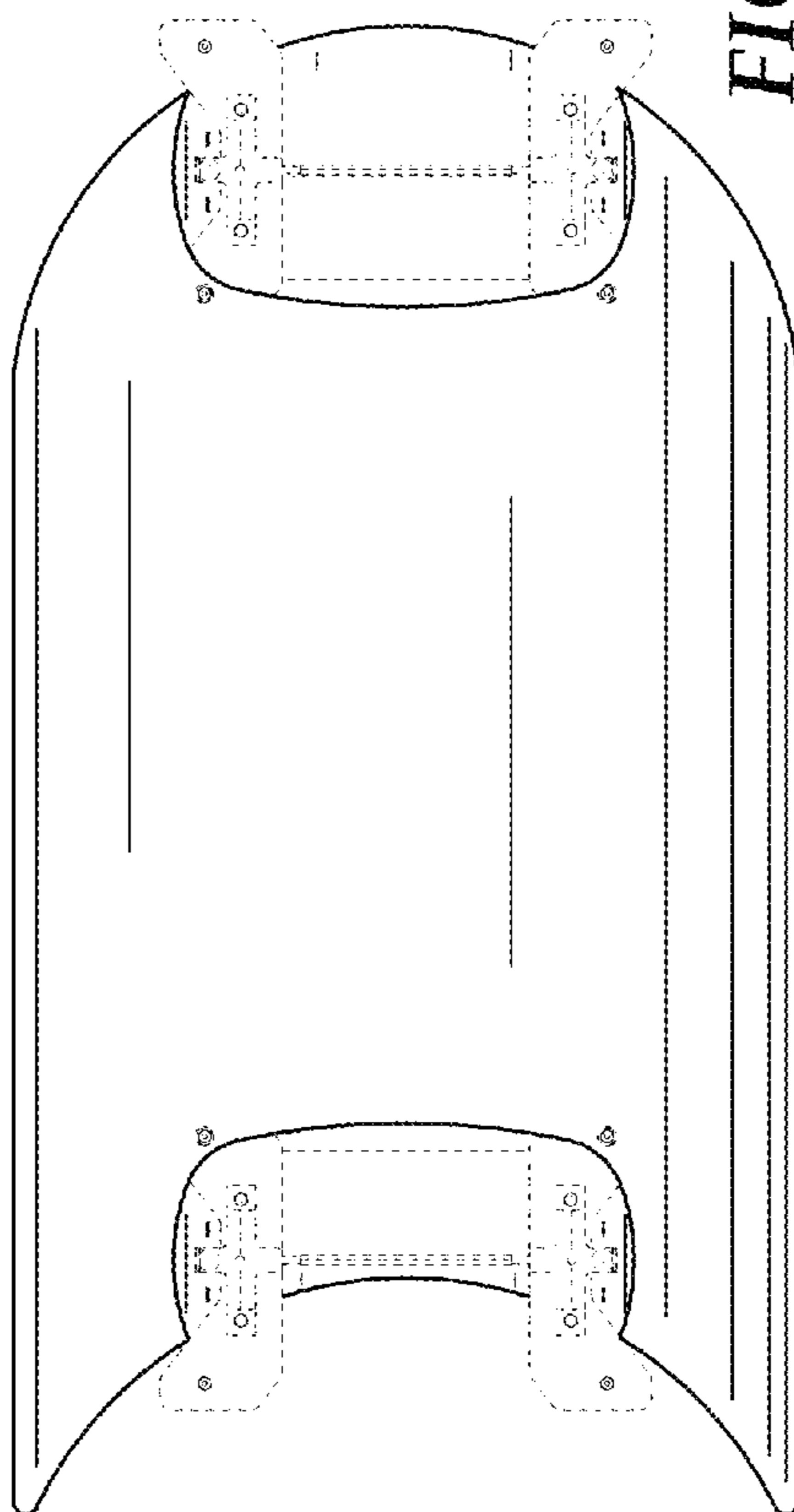


FIG. 5