



US00D671670S

(12) **United States Design Patent**
Sonneman

(10) **Patent No.:** **US D671,670 S**
(45) **Date of Patent:** **** Nov. 27, 2012**

(54) **LIGHT FIXTURE WITH MULTIPLE SUPPORTS**

(76) Inventor: **Robert A. Sonneman**, Mamaroneck, NY (US)

(**) Term: **14 Years**

(21) Appl. No.: **29/417,737**

(22) Filed: **Apr. 9, 2012**

(51) **LOC (9) Cl.** **26-03**

(52) **U.S. Cl.** **D26/90; D26/91**

(58) **Field of Classification Search** D26/72, D26/75, 76, 80, 83, 84, 86, 88-90, 124, 128, D26/87, 91, 92; 362/147, 404-408
See application file for complete search history.

D438,664 S *	3/2001	Lewis	D26/86
D444,904 S *	7/2001	Orozco	D26/86
D573,299 S *	7/2008	Fanning	D26/153
D619,291 S *	7/2010	Thevenot	D26/75
D619,750 S *	7/2010	Lewis	D26/86
D634,056 S *	3/2011	Hokazono et al.	D26/89
D634,887 S *	3/2011	Kitts	D26/143
D657,487 S *	4/2012	Sabernig	D26/84

* cited by examiner

Primary Examiner — Clare E Heflin

(74) *Attorney, Agent, or Firm* — Gottlieb, Rackman & Reisman, P.C.

(57) **CLAIM**

The ornamental design for a light fixture with multiple supports, as shown and described.

(56) **References Cited**

U.S. PATENT DOCUMENTS

D63,702 S *	1/1924	Sinkins	D26/91
D122,864 S *	10/1940	Dreyfuss	D26/75
3,212,713 A *	10/1965	Chatten	D26/81
D209,226 S *	11/1967	Powers, Jr.	D26/91
3,745,327 A *	7/1973	Lowery et al.	362/227
D235,914 S *	7/1975	Schacht	D26/84
D239,729 S *	4/1976	Alabardo	D26/83
D240,156 S *	6/1976	von Serda	D26/128
D240,653 S *	7/1976	Eftekhar	D26/80
D241,066 S *	8/1976	Schacht	D26/81
D246,203 S *	10/1977	Harris	D26/80
D246,399 S *	11/1977	Harris	D26/84
D314,059 S *	1/1991	O'Neil	D26/73

DESCRIPTION

FIG. 1 is a perspective view of the light fixture with multiple support showing my new design;
FIG. 2 is a top plan view thereof;
FIG. 3 is a front elevational view thereof;
FIG. 4 is a right side elevational view thereof;
FIG. 5 is a left side elevational view thereof;
FIG. 6 is rear elevational view thereof; and,
FIG. 7 is a bottom plan view thereof; a front elevational view thereof.

1 Claim, 4 Drawing Sheets

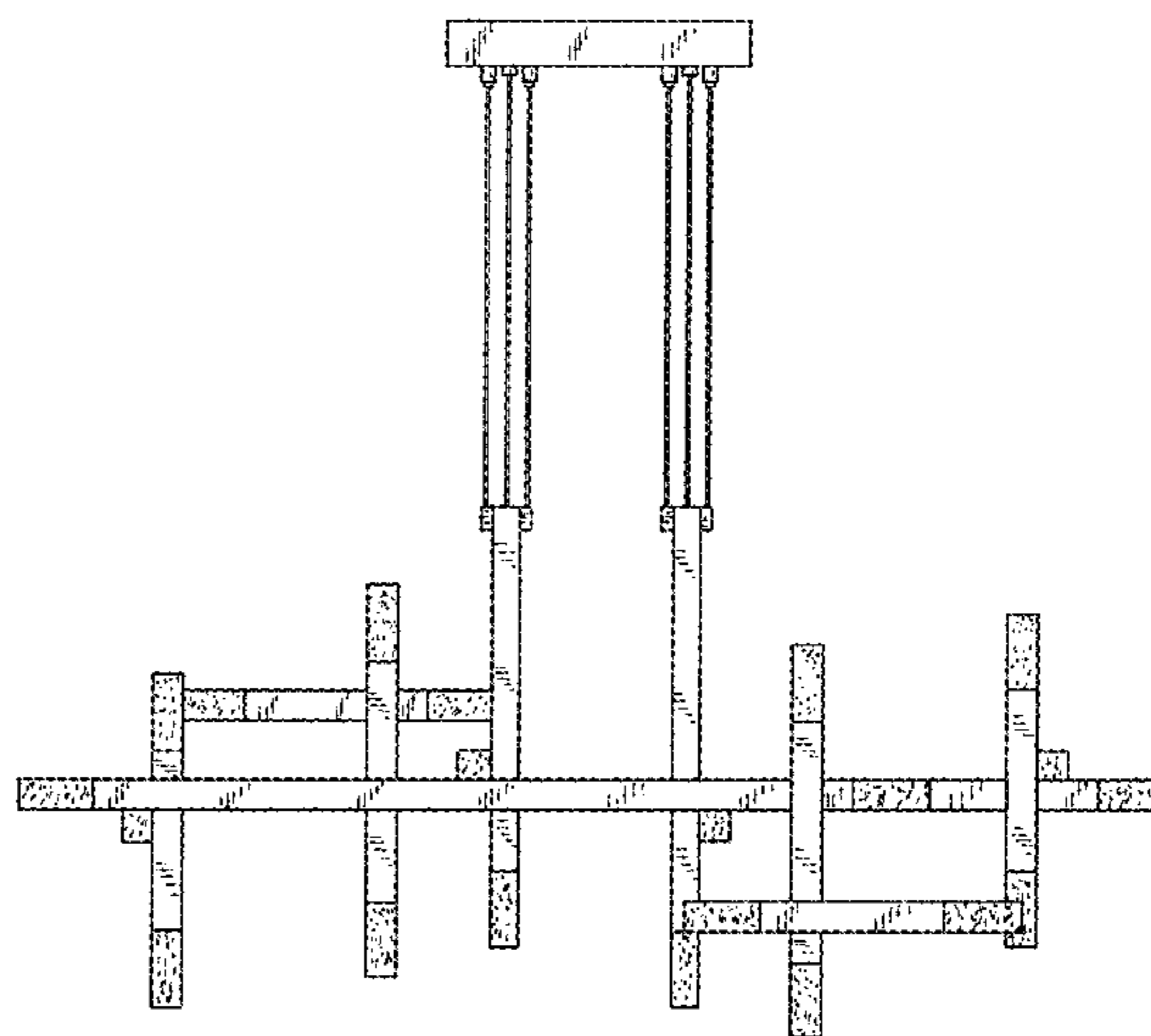
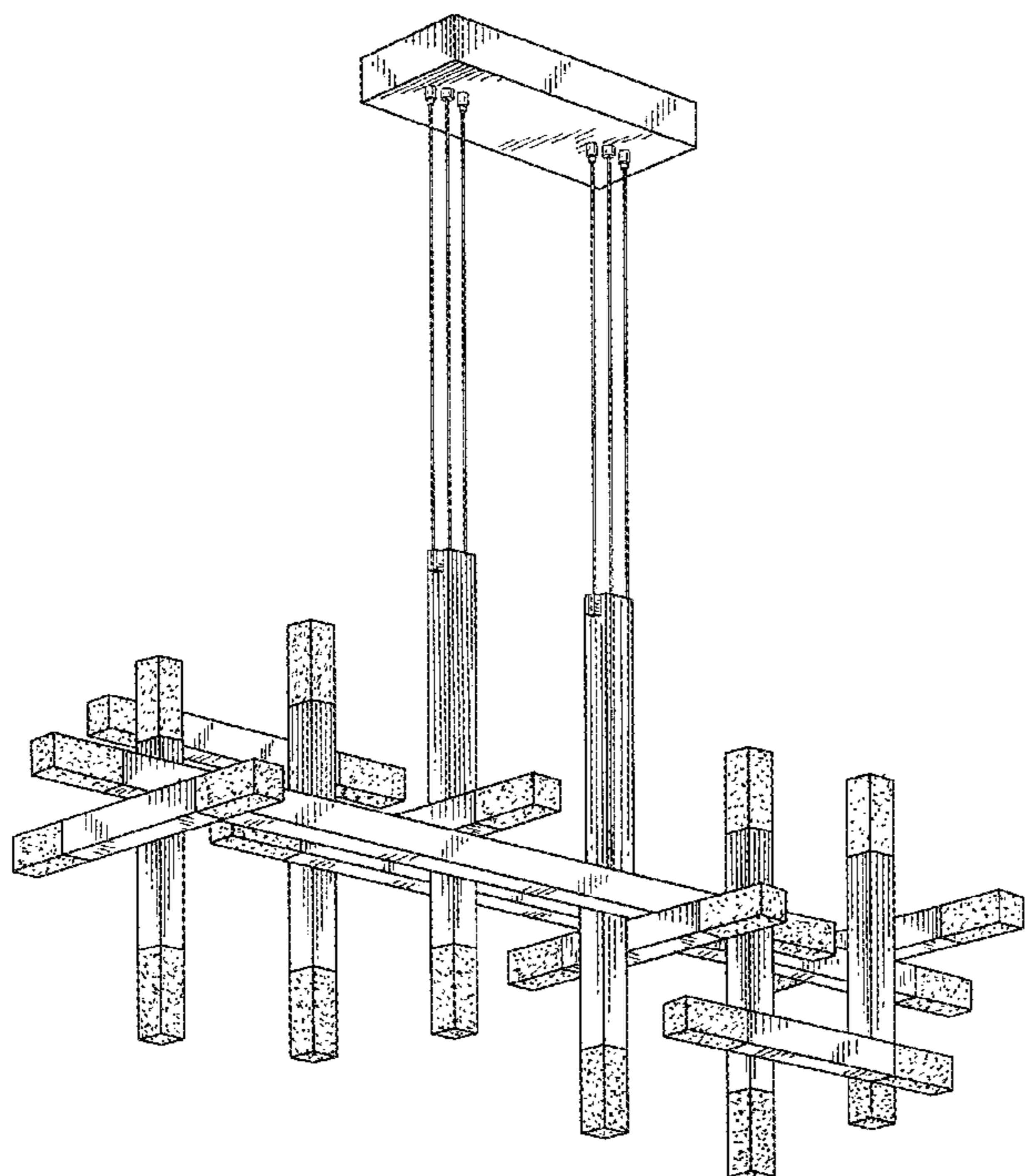
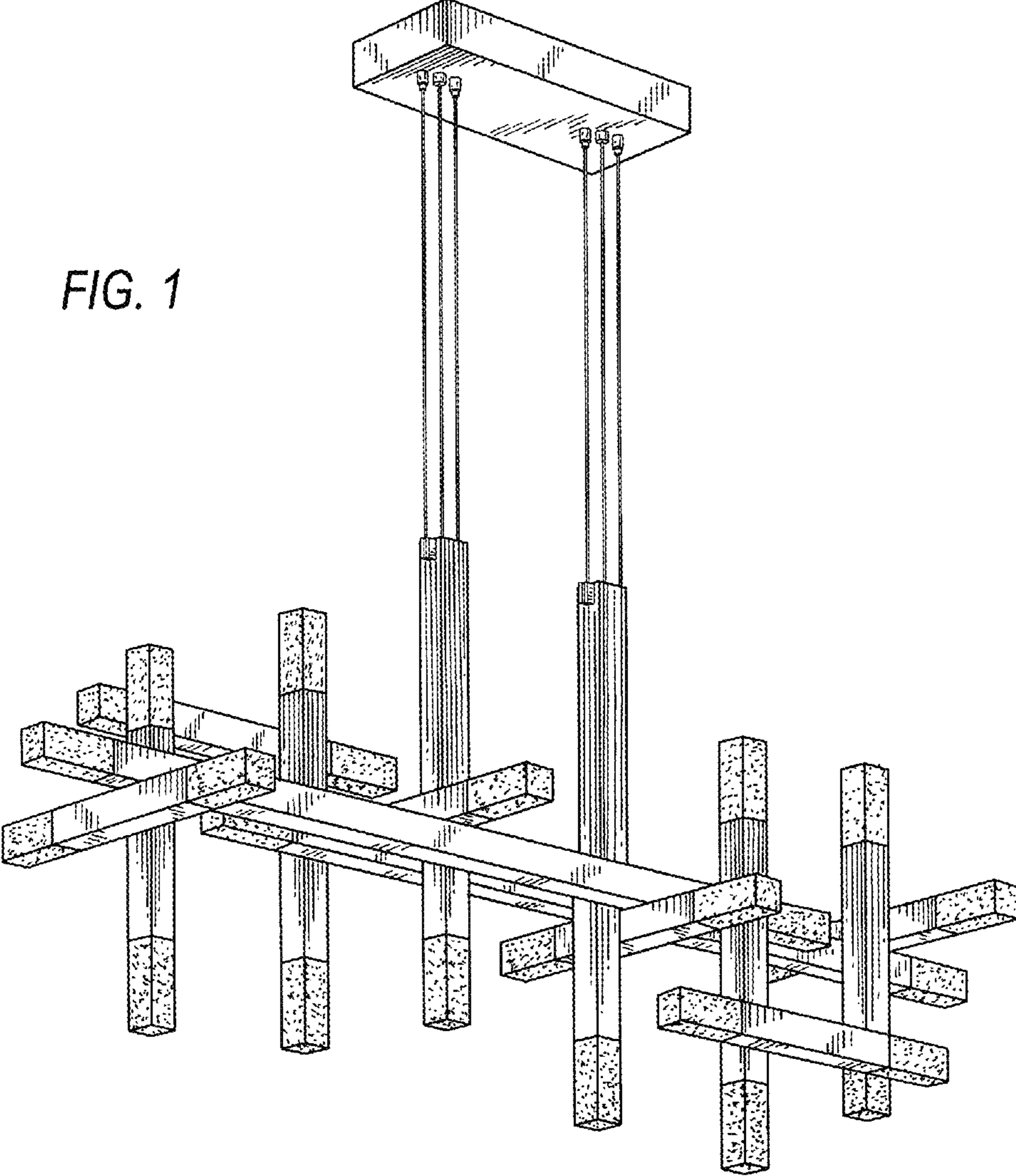


FIG. 1



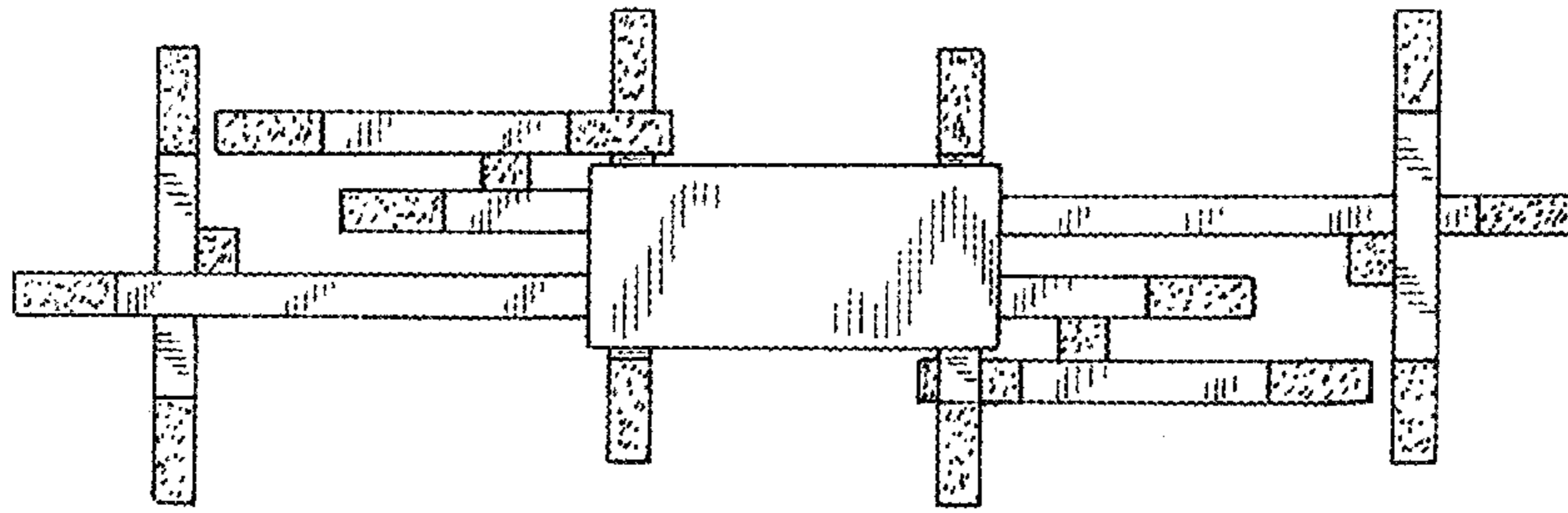


FIG. 2

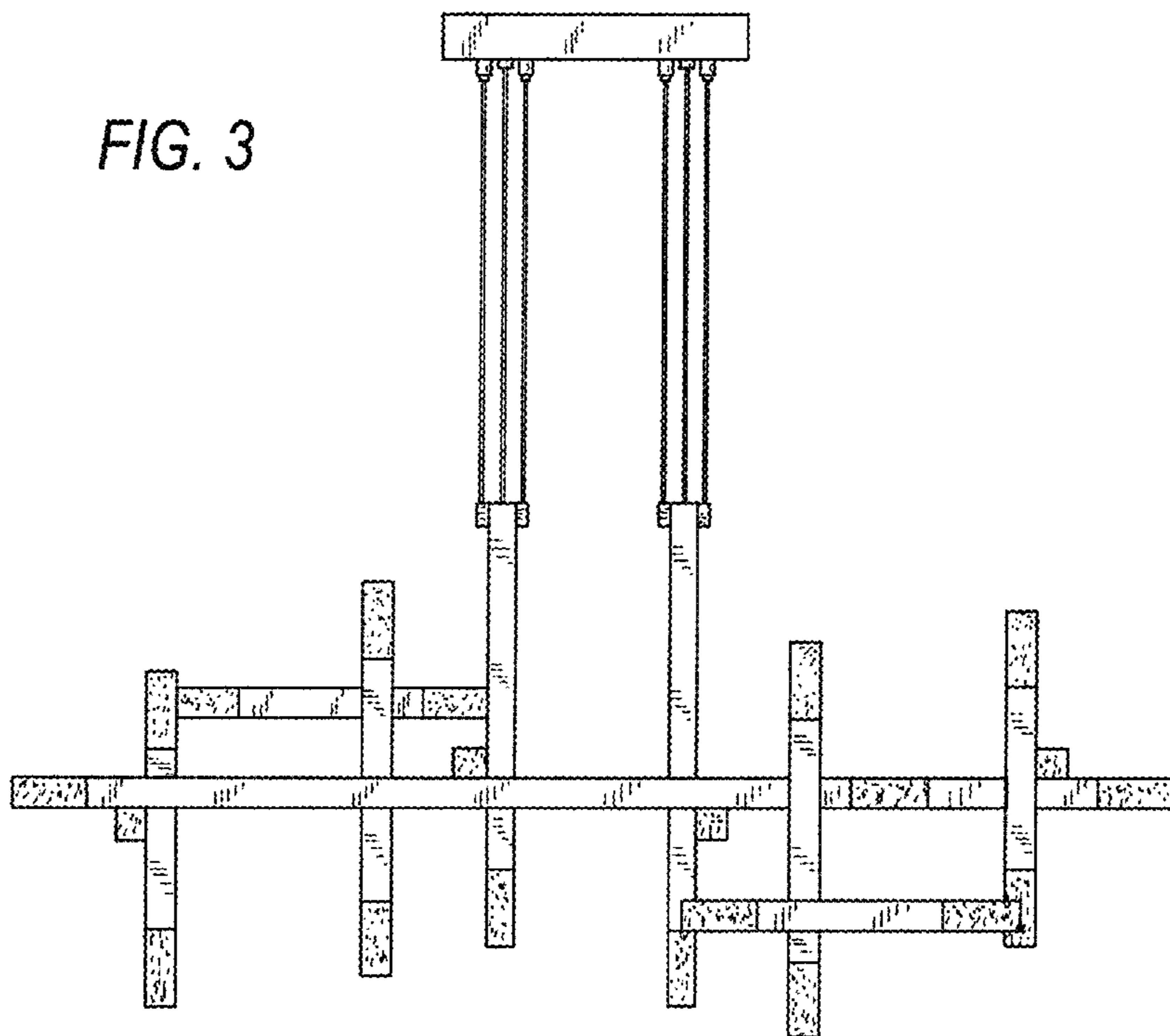


FIG. 3

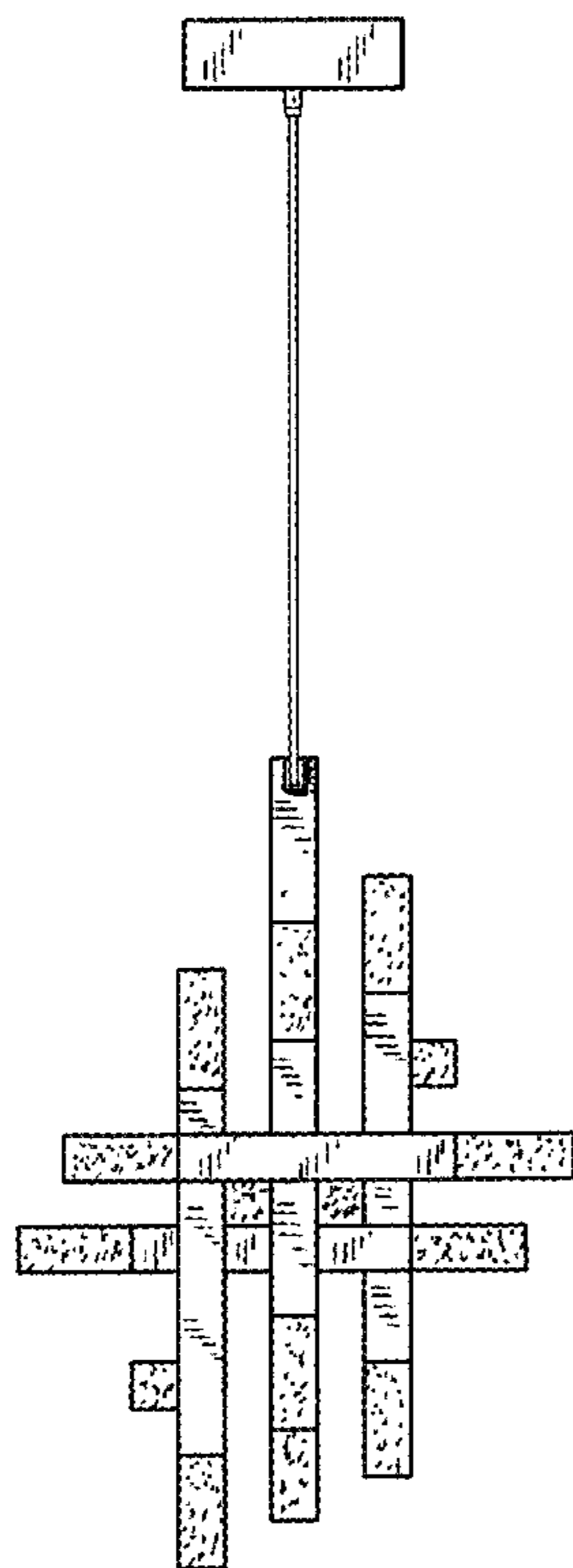
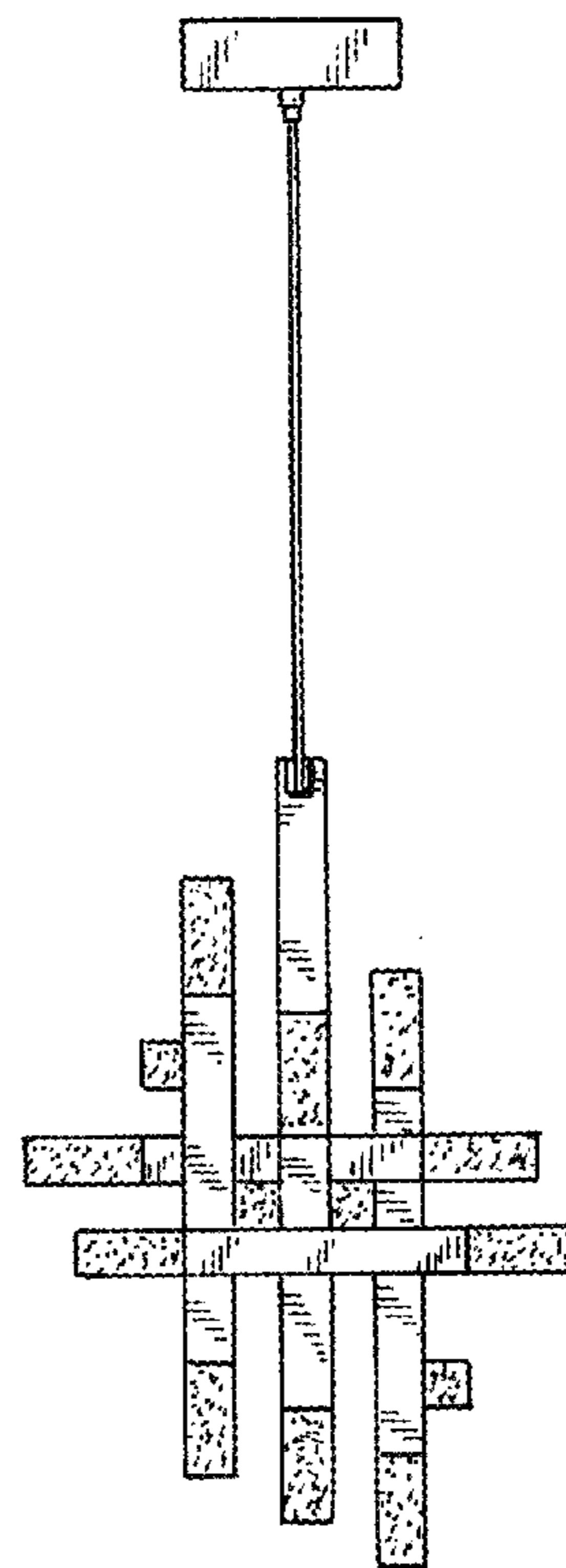


FIG. 4

FIG. 5



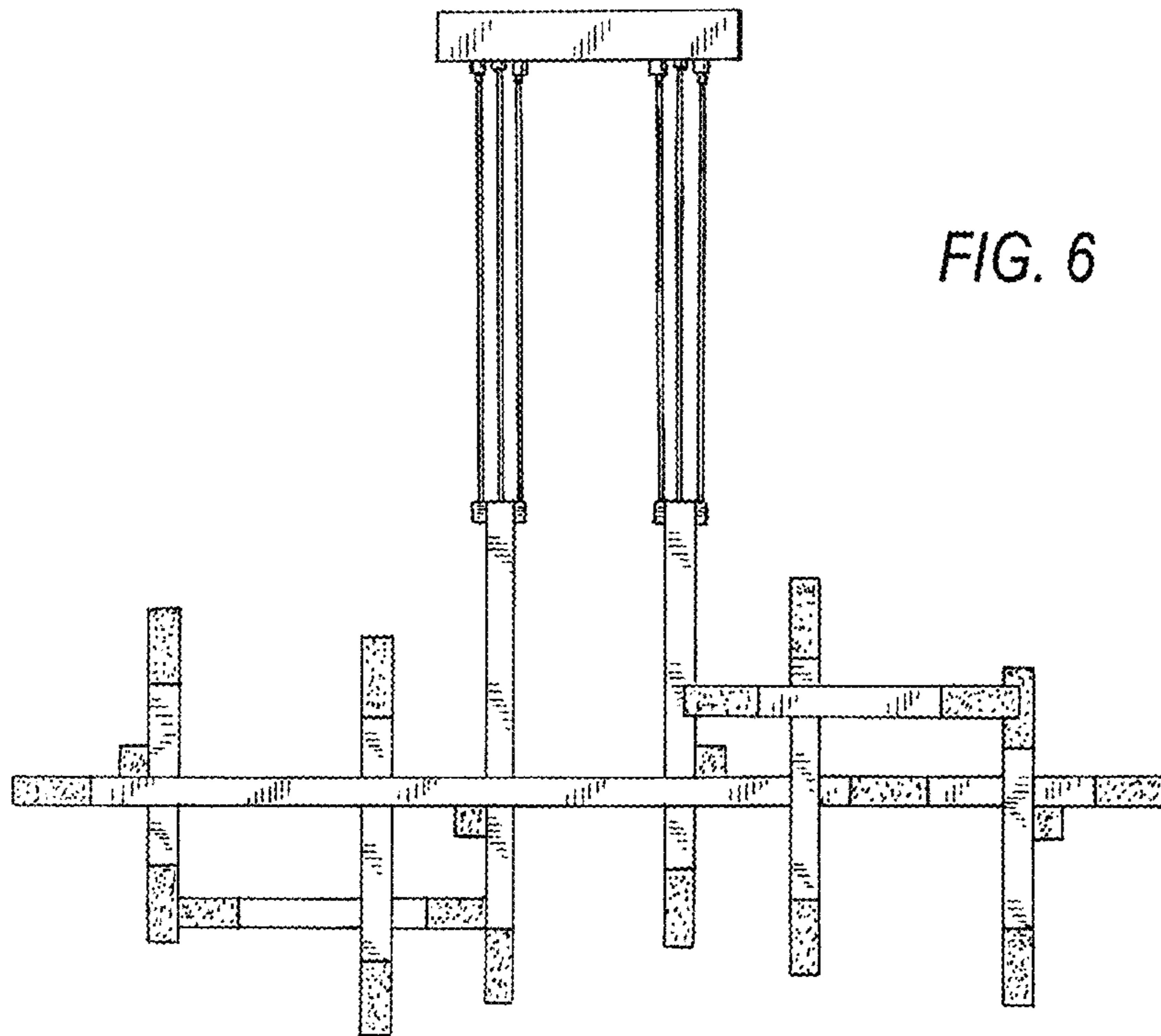


FIG. 6

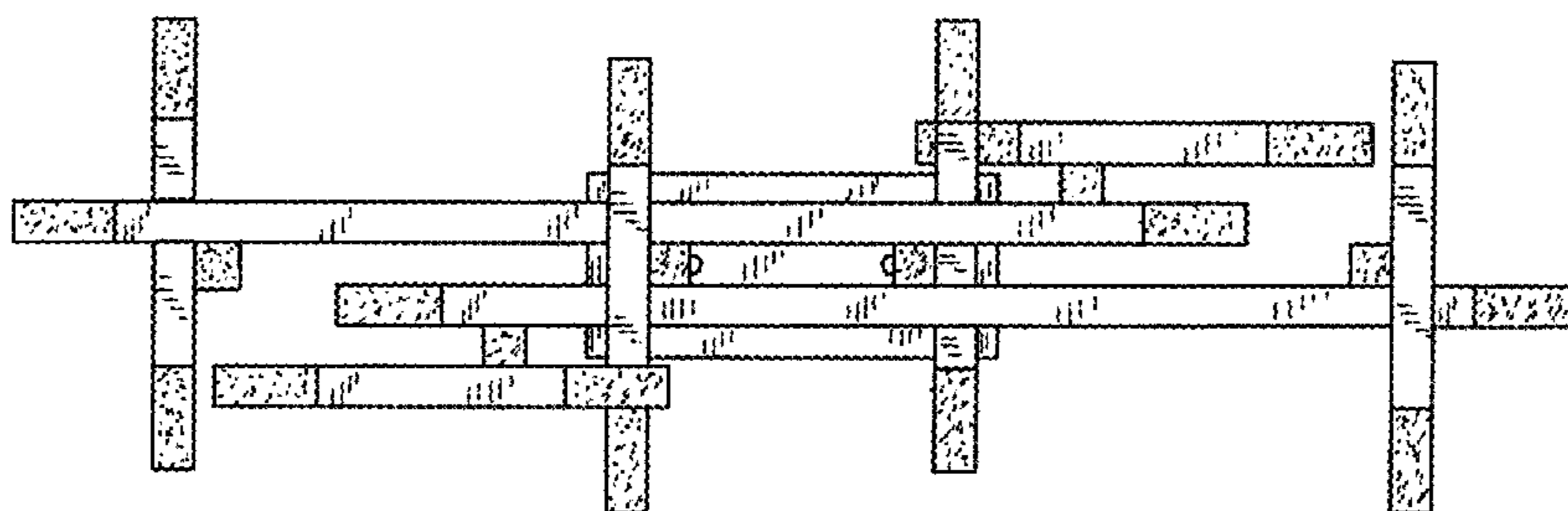


FIG. 7