



US00D671667S

(12) **United States Design Patent**
Kim et al.

(10) **Patent No.:** **US D671,667 S**
(45) **Date of Patent:** **** Nov. 27, 2012**

(54) **LED LAMP**

(75) Inventors: **Han Gyoul Kim**, Seoul (KR);
Hwayoung Kim, Seoul (KR)

(73) Assignee: **LG Innotek Co., Ltd.**, Seoul (KR)

(**) Term: **14 Years**

(21) Appl. No.: **29/376,768**

(22) Filed: **Oct. 12, 2010**

(30) **Foreign Application Priority Data**

Apr. 10, 2010 (KR) 30-2010-0015935

(51) **LOC (9) Cl.** **26-05**

(52) **U.S. Cl.** **D26/74**

(58) **Field of Classification Search** D26/72,
D26/74, 75, 76, 77, 78, 79, 80, 81, 82, 83,
D26/84, 85, 88, 89, 90, 122; 362/145, 146,
362/147, 148, 150, 151, 152, 153, 153.1,
362/217.01, 217.02, 217.05, 217.06, 217.07,
362/217.08, 217.09, 217.1, 217.11, 249.02,
362/260, 296.07, 311.02

See application file for complete search history.

(56) **References Cited**

U.S. PATENT DOCUMENTS

3,118,620 A * 1/1964 Bucek 362/355
D393,734 S * 4/1998 Casteel D26/76
D428,508 S * 7/2000 Irvine D26/76

D493,244 S * 7/2004 Engel D26/76
D497,217 S * 10/2004 Thornton et al. D26/76
D511,852 S * 11/2005 Benensohn D26/76
7,147,346 B2 * 12/2006 Grimmeisen 362/221
D570,026 S * 5/2008 Waldmann D26/76
D579,598 S * 10/2008 Santoro D26/76
D596,778 S * 7/2009 Yamazato D26/76
D597,241 S * 7/2009 Fabbri et al. D26/74
D614,792 S * 4/2010 Fabbri et al. D26/74
2011/0199760 A1 * 8/2011 Nourishad et al. 362/225

* cited by examiner

Primary Examiner — Angela J Lee

(74) *Attorney, Agent, or Firm* — KED & Associates LLP

(57) **CLAIM**

We claim the ornamental design for a LED lamp, as shown and described.

DESCRIPTION

FIG. 1 is a front perspective view of a LED lamp according to an embodiment;

FIG. 2 is a front view of the LED lamp of FIG. 1;

FIG. 3 is a rear view of the LED lamp of FIG. 1;

FIG. 4 is a left side view of the LED lamp of FIG. 1;

FIG. 5 is a right side view of the LED lamp of FIG. 1;

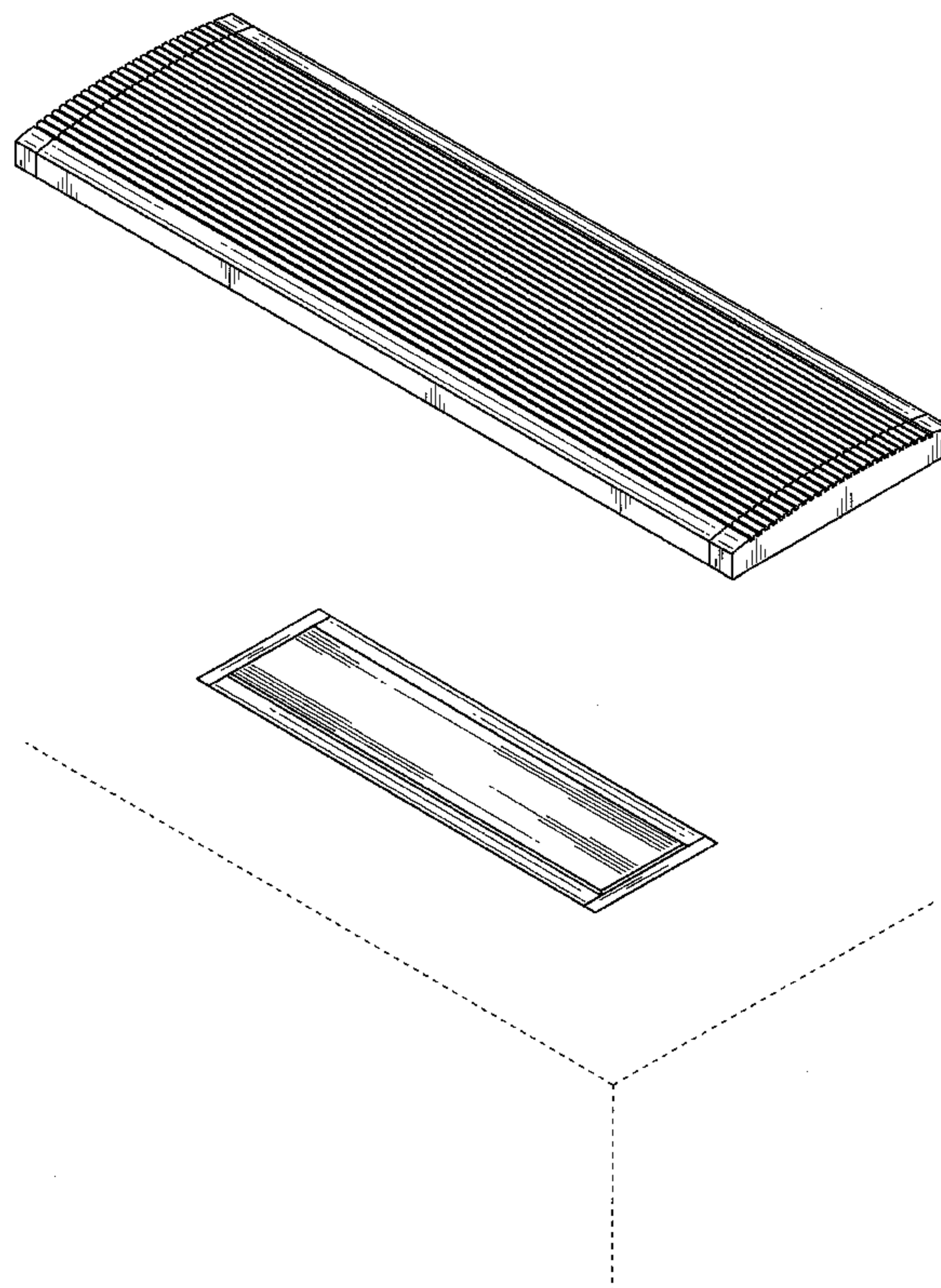
FIG. 6 is a top view of the LED lamp of FIG. 1;

FIG. 7 is a bottom view of the LED lamp of FIG. 1; and,

FIG. 8 is a perspective view of the LED lamp of FIG. 1 shown in use with a ceiling shown in broken lines.

The environment shown in broken lines forms no part of the claimed design.

1 Claim, 5 Drawing Sheets



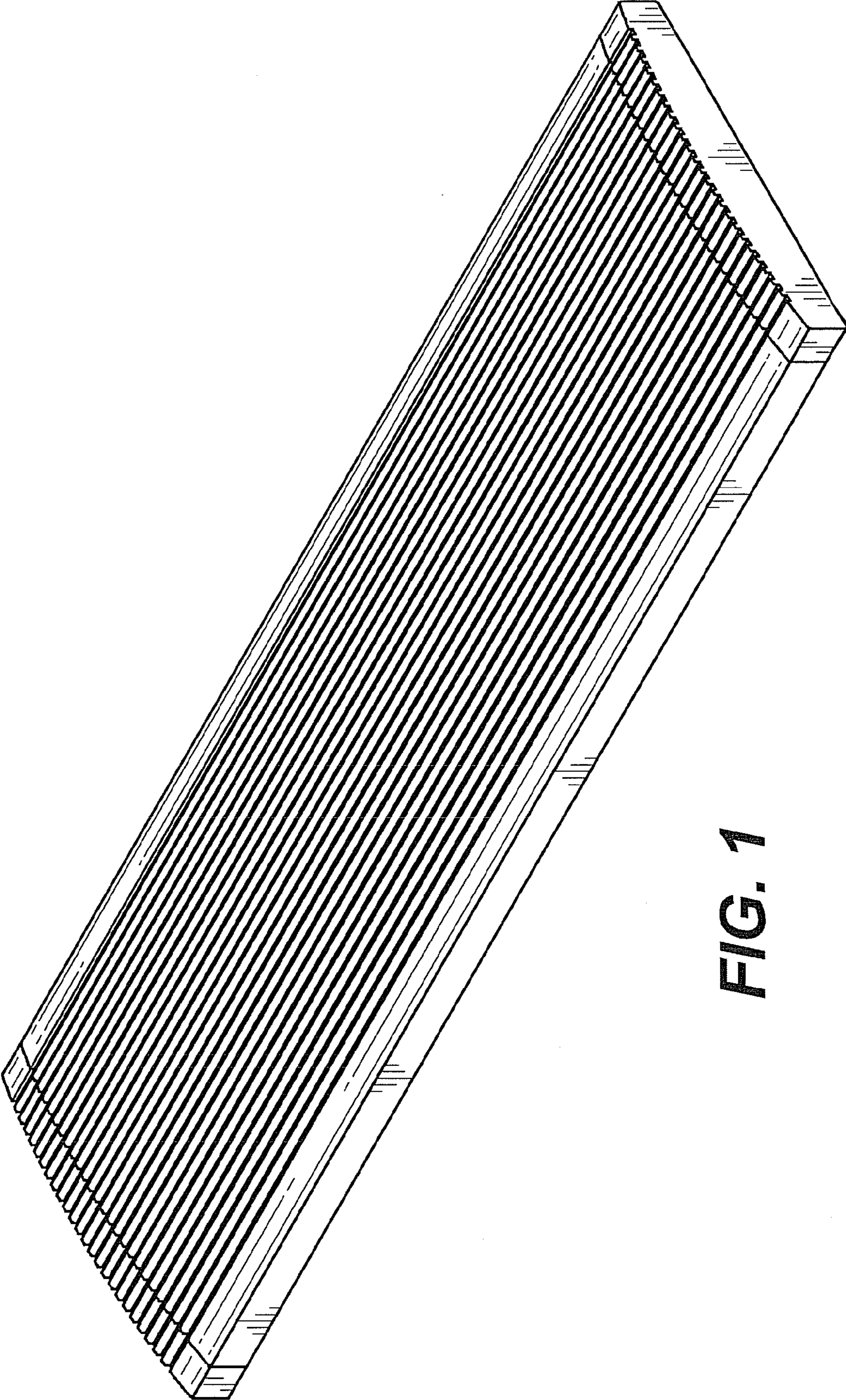


FIG. 1



FIG. 2



FIG. 3



FIG. 4



FIG. 5

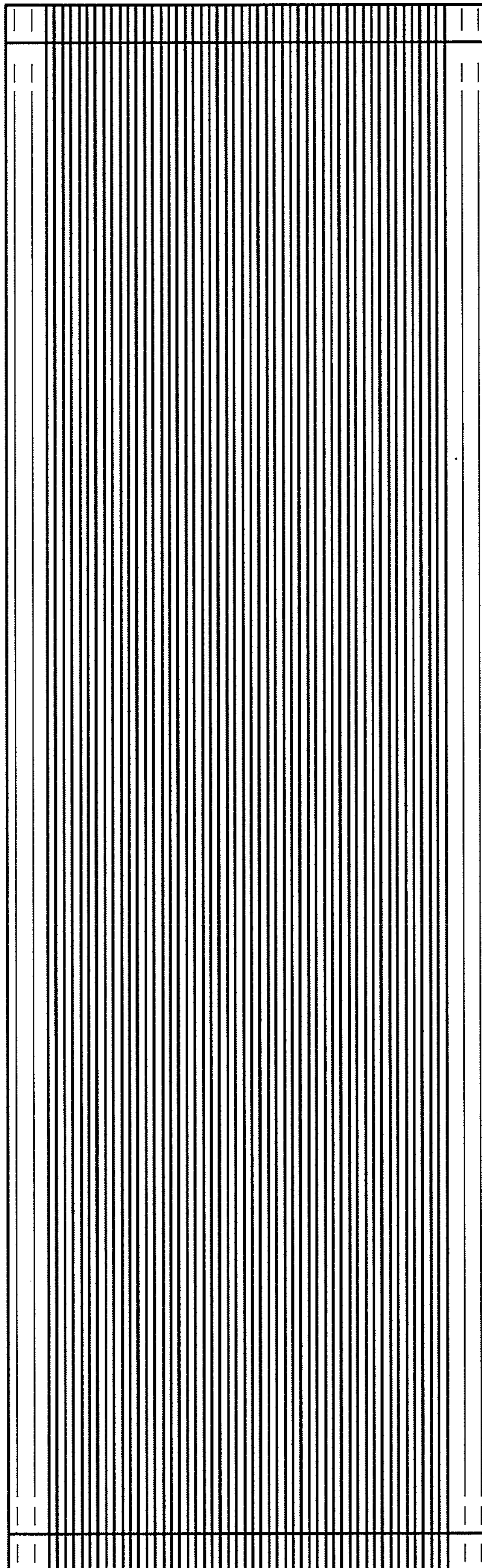


FIG. 6

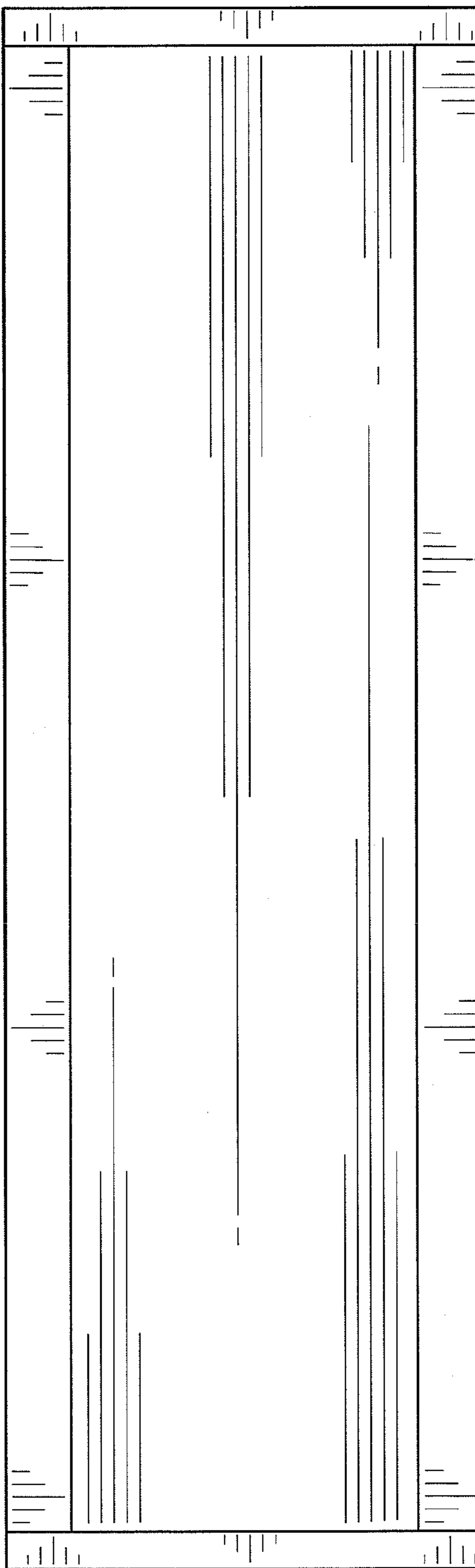


FIG. 7

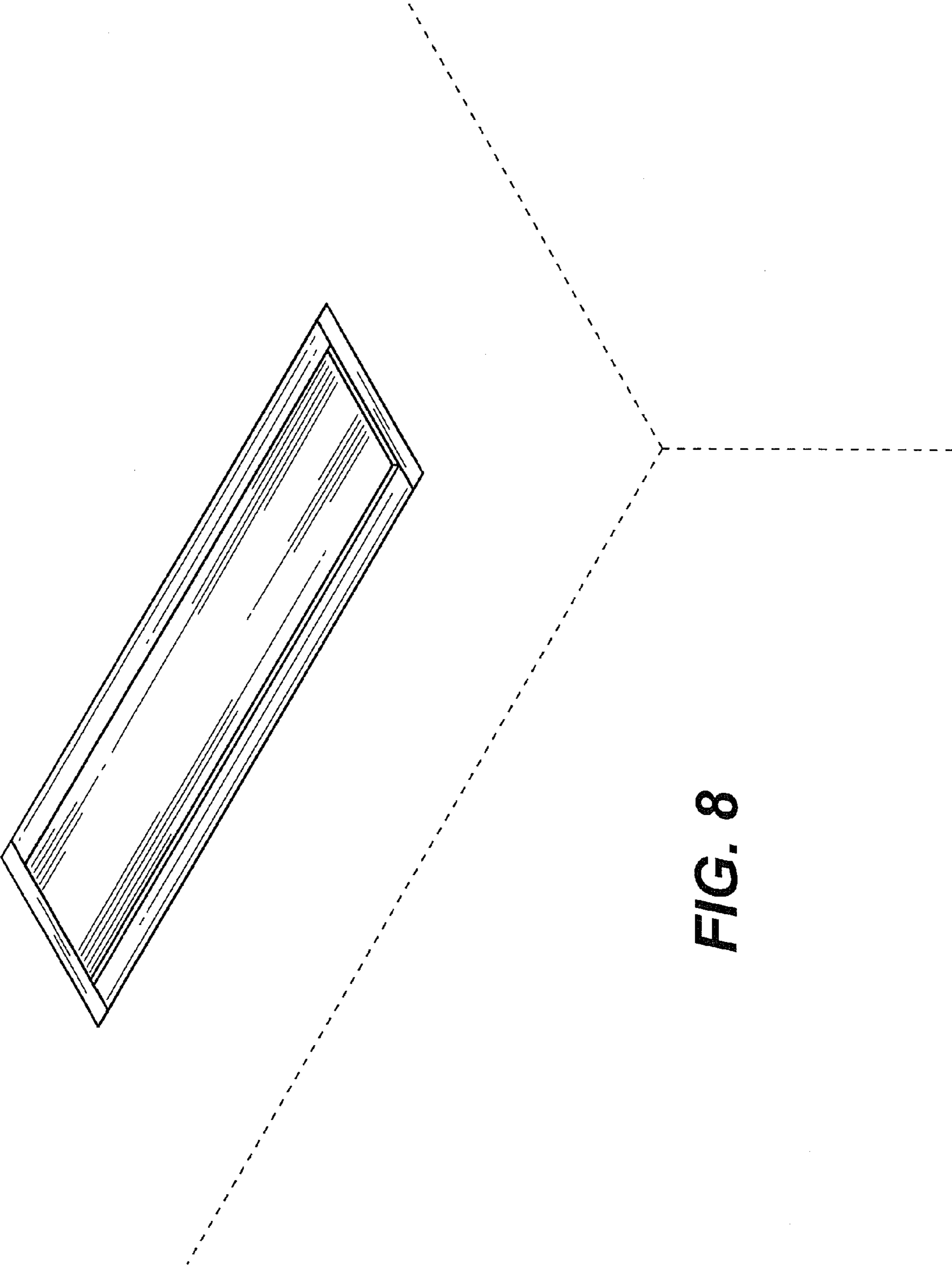


FIG. 8