



US00D671664S

(12) **United States Design Patent**  
**Yeh**

(10) **Patent No.:** **US D671,664 S**

(45) **Date of Patent:** **\*\* Nov. 27, 2012**

(54) **FLASHLIGHT**

(75) Inventor: **Hsueh-Chu Yeh**, Tainan (TW)

(73) Assignee: **Day Sun Industrial Corp.**, Tainan (TW)

(\*\*) Term: **14 Years**

(21) Appl. No.: **29/407,294**

(22) Filed: **Nov. 28, 2011**

(51) **LOC (9) Cl.** ..... **26-02**

(52) **U.S. Cl.** ..... **D26/49**

(58) **Field of Classification Search** ..... D26/37,  
D26/38, 49, 46; 362/157, 158, 184, 194-196,  
362/202-208

See application file for complete search history.

(56) **References Cited**

**U.S. PATENT DOCUMENTS**

D403,450 S	*	12/1998	Ting	.....	D26/37
D429,830 S	*	8/2000	Ting	.....	D26/37
D443,705 S	*	6/2001	Sanders	.....	D26/37
D467,022 S	*	12/2002	Fritz	.....	D26/49
D498,552 S	*	11/2004	Chen	.....	D26/37
D510,450 S	*	10/2005	Chen	.....	D26/37

D520,661 S	*	5/2006	Chien	.....	D26/49
D590,084 S	*	4/2009	Witte	.....	D26/46
D600,383 S	*	9/2009	Chen	.....	D26/49
D601,286 S	*	9/2009	Chen	.....	D26/49
D601,737 S	*	10/2009	Swan	.....	D26/49

\* cited by examiner

*Primary Examiner* — Ian Simmons

*Assistant Examiner* — Carissa C Fitts

(74) *Attorney, Agent, or Firm* — Alan Kamrath; Kamrath IP Lawfirm, PA

(57) **CLAIM**

The ornamental design for a flashlight, as shown and described.

**DESCRIPTION**

FIG. 1 is a perspective view of a flashlight showing my new design;

FIG. 2 is a front side elevational view thereof;

FIG. 3 is a rear side elevational view thereof;

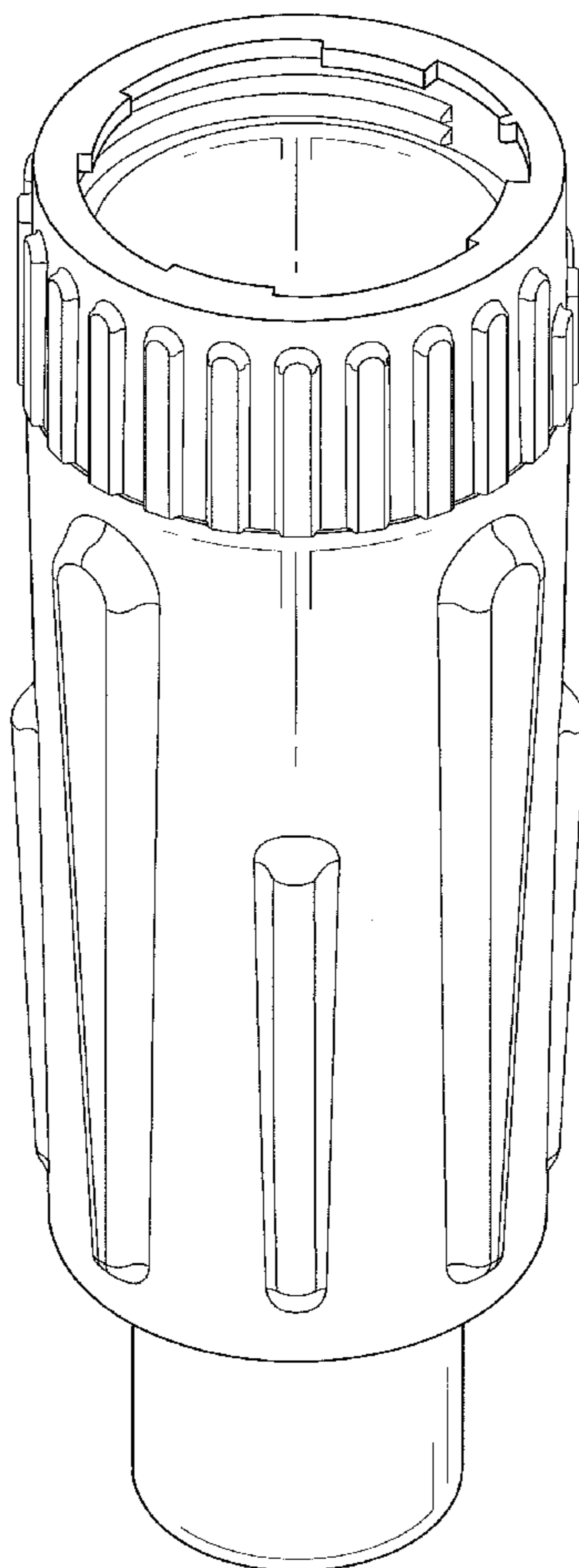
FIG. 4 is a left side elevational view thereof;

FIG. 5 is a right side elevational view thereof;

FIG. 6 is a top plan view thereof; and,

FIG. 7 is a bottom plan view thereof.

**1 Claim, 6 Drawing Sheets**



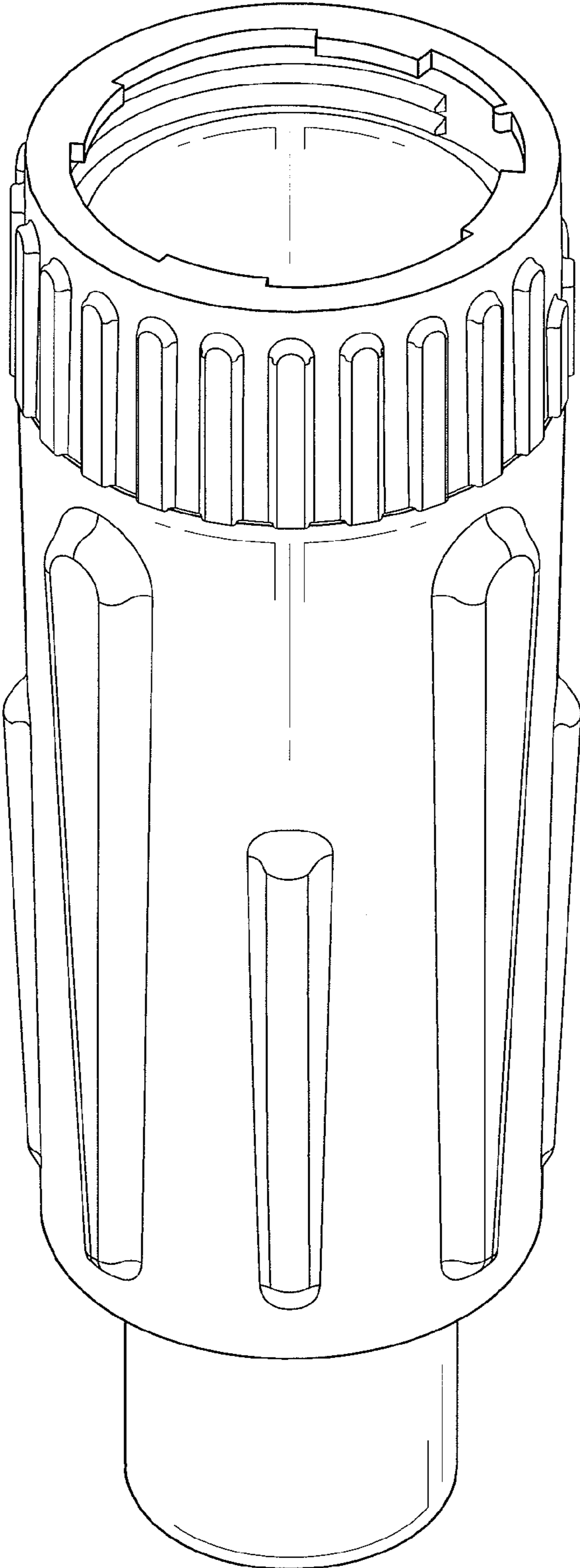


FIG. 1

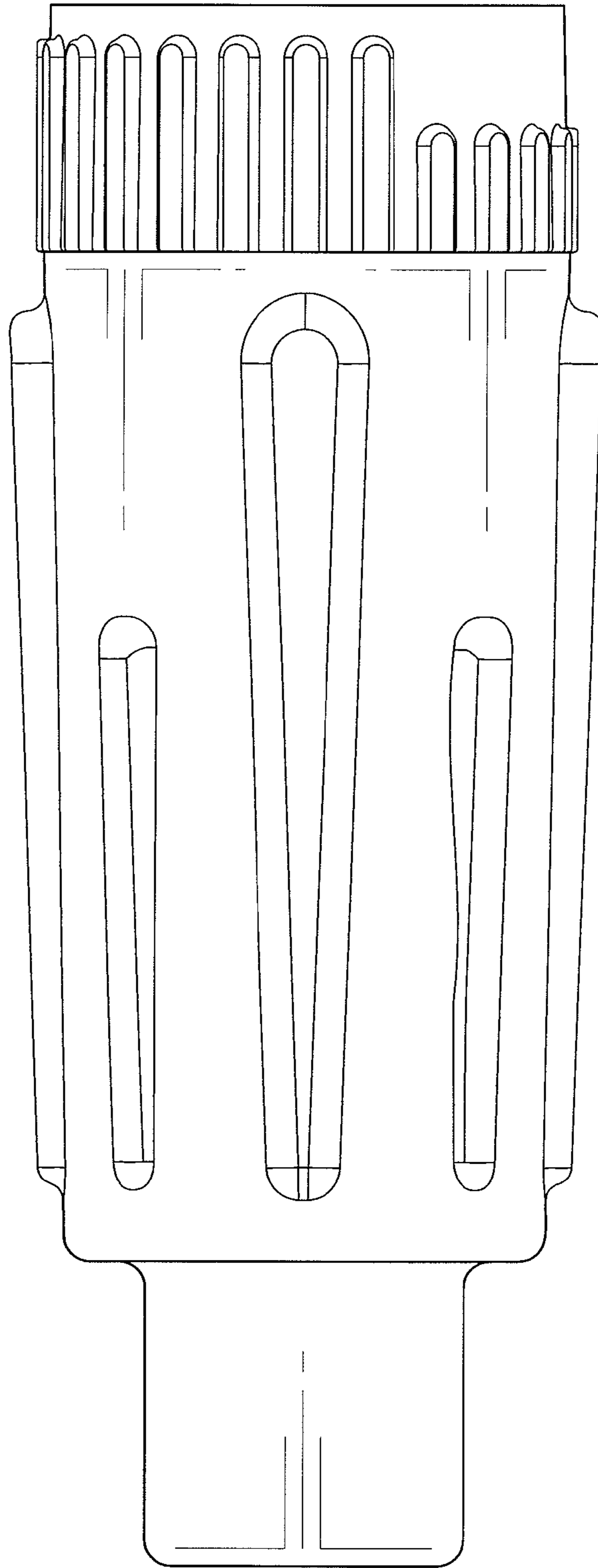


FIG. 2

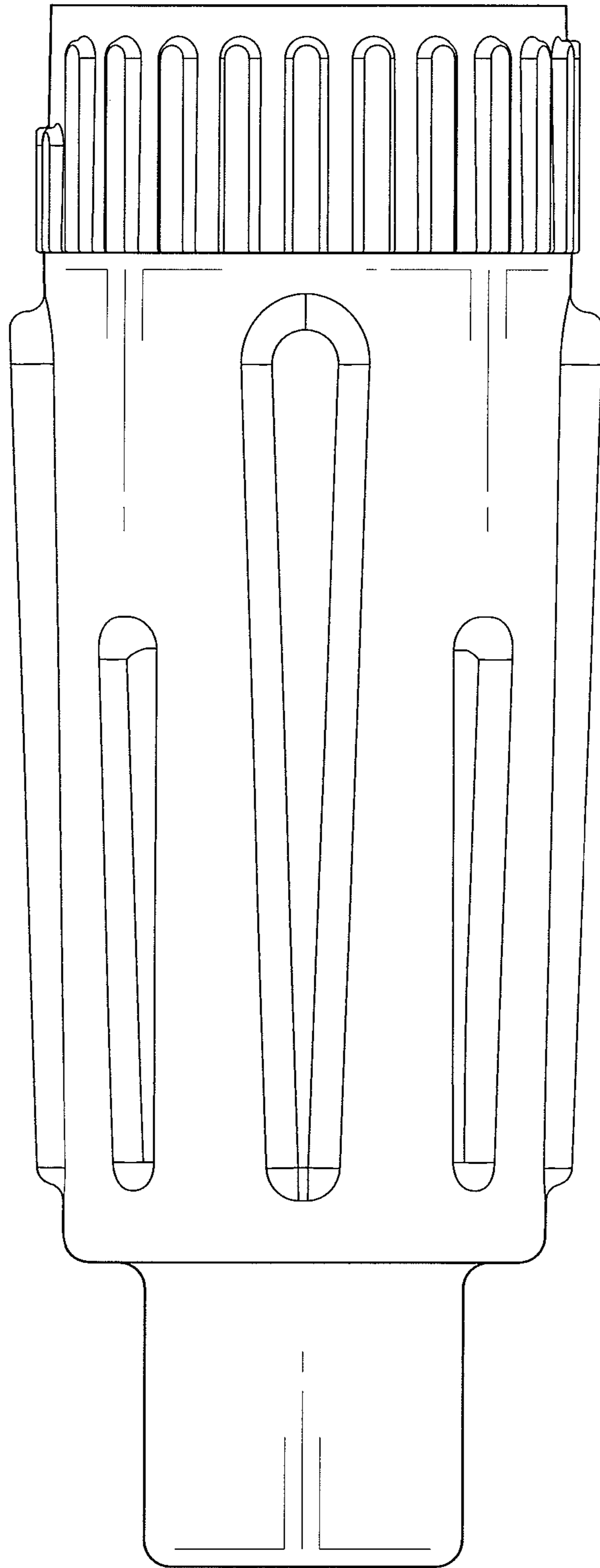


FIG. 3

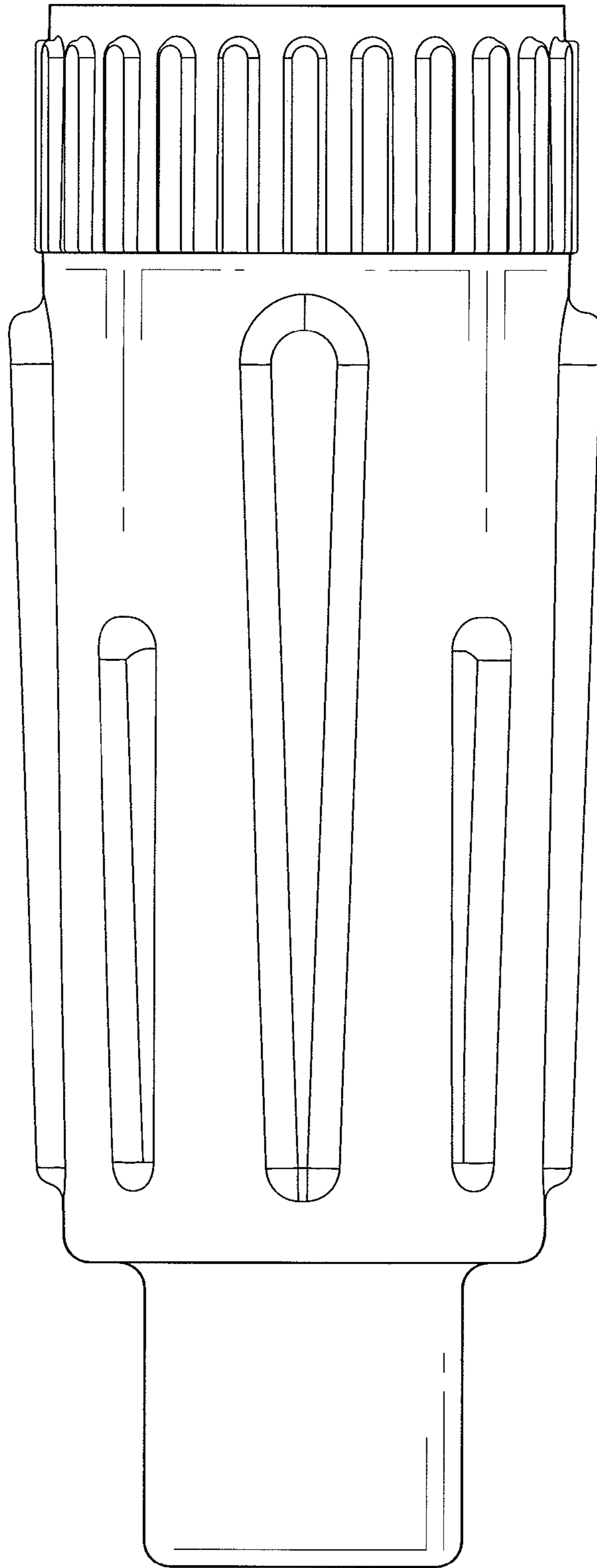


FIG. 4

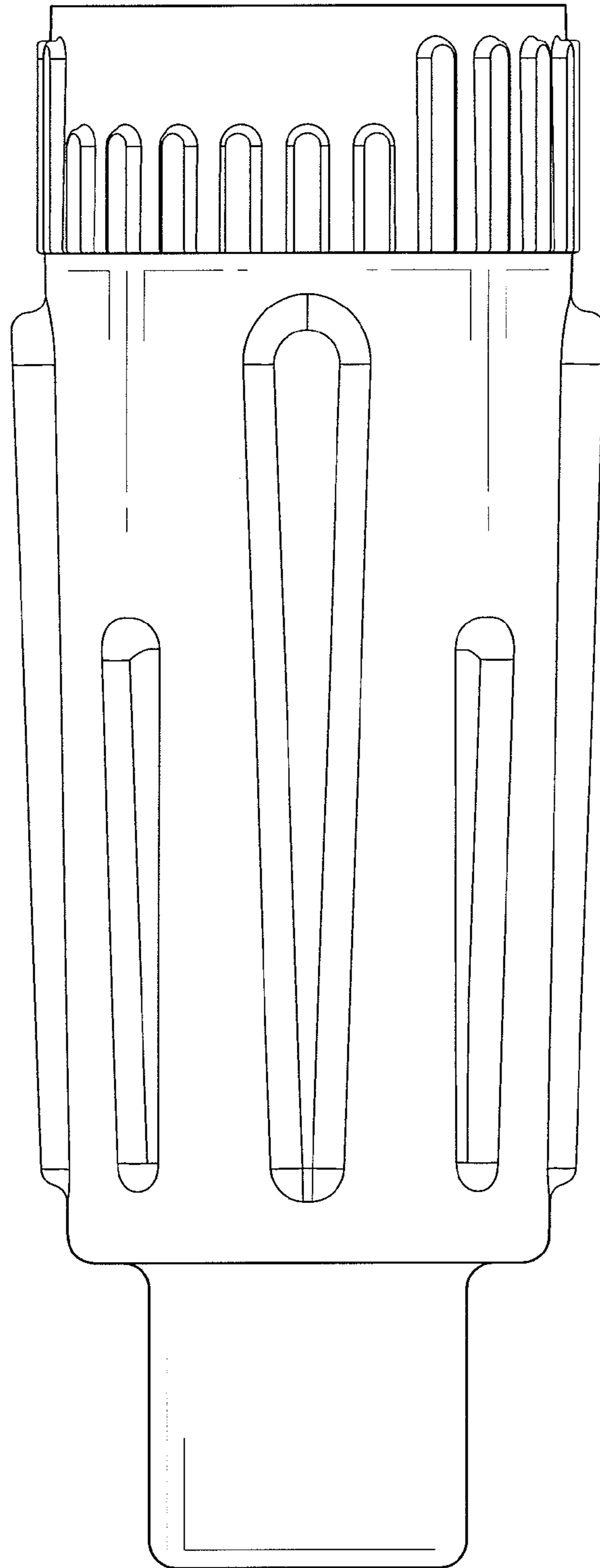


FIG. 5

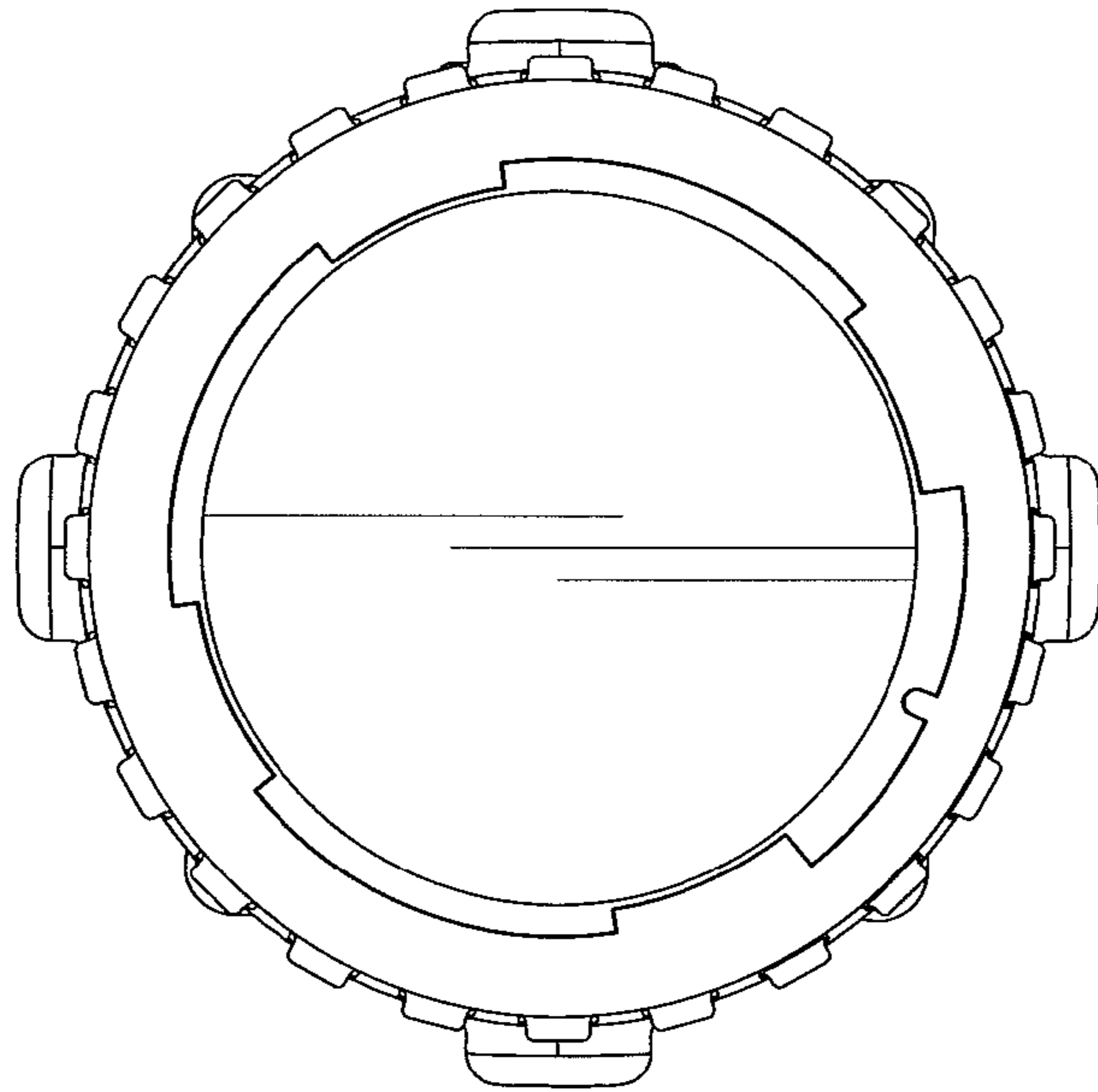


FIG. 6

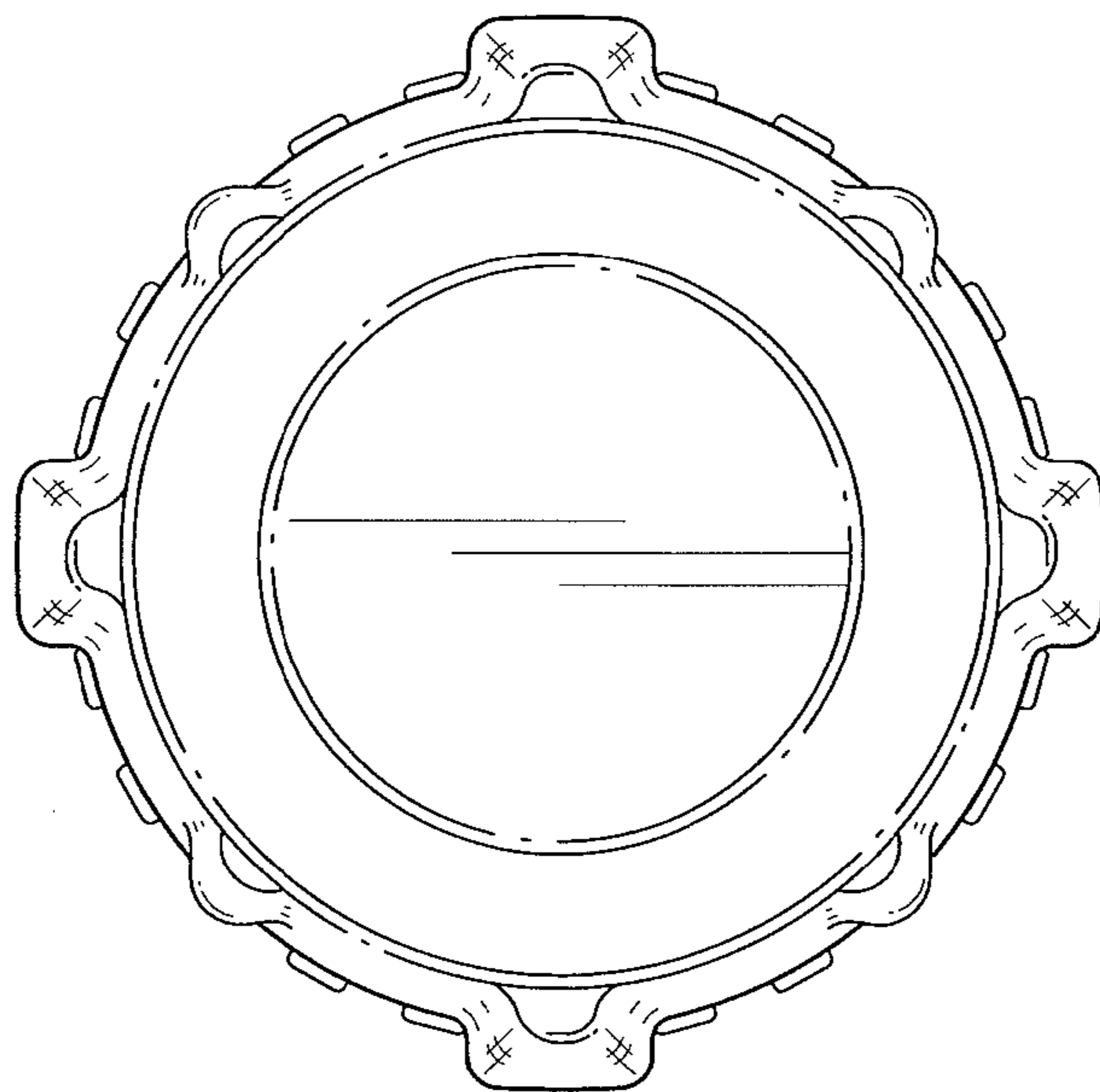


FIG. 7